



US00D556388S

(12) **United States Design Patent**
Webb

(10) **Patent No.:** **US D556,388 S**

(45) **Date of Patent:** **** Nov. 27, 2007**

(54) **VENTED WILDLIFE FEEDER TOP**

(76) **Inventor:** **Jesse S. Webb**, 887 Spyglass, New Braunfels, TX (US) 78130

(**) **Term:** **14 Years**

(21) **Appl. No.:** **29/256,885**

(22) **Filed:** **Mar. 27, 2006**

(51) **LOC (8) Cl.** **30-03**

(52) **U.S. Cl.** **D30/133**

(58) **Field of Classification Search** D9/428,
D9/447, 423, 435; D15/138; D32/25, 31;
D23/205, 200; D34/7; D30/121, 122, 124,
D30/127, 128, 132, 133; 119/51.01, 61,
119/51.04, 53, 57.91, 54, 53.5, 52.4, 51.11,
119/63, 61.2, 52.1; 239/7, 687, 379, 397.5;
222/199, 181.1, 181.2; 604/317, 318; 600/573;
D24/117

See application file for complete search history.

(56) **References Cited**

U.S. PATENT DOCUMENTS

4,455,140	A *	6/1984	Joslin	604/317
4,538,548	A *	9/1985	Page	119/52.1
D288,129	S *	2/1987	Taylor	D24/117
D314,514	S *	2/1991	Ten Eyck et al.	D9/447
D326,705	S *	6/1992	Vanden burg et al.	D23/205
D372,348	S *	7/1996	Rudolph et al.	D32/31

5,549,585	A *	8/1996	Maier et al.	604/317
D486,946	S *	2/2004	Castro	D30/121
D488,889	S *	4/2004	Walsh	D30/121
D495,347	S *	8/2004	Erbach	D15/138

* cited by examiner

Primary Examiner—M. H. Tung

Assistant Examiner—Susan Moon Lee

(74) *Attorney, Agent, or Firm*—Dillon & Yudell L.L.P.

(57) **CLAIM**

I claim the ornamental design for a vented wildlife feeder top, as shown and described.

DESCRIPTION

FIG. 1 is a perspective view of the vented wildlife feeder top of the present invention;

FIG. 2 is a top plan view of the present invention;

FIG. 3 is a side view of the present invention; the opposite side being a mirror image view of the depicted side;

FIG. 4 is a front view of the present invention;

FIG. 5 is a rear view of the present invention; and,

FIG. 6 is a bottom view of the present invention.

The portions shown in broken line are for illustrative purposes only and form no part of the claimed design.

1 Claim, 3 Drawing Sheets

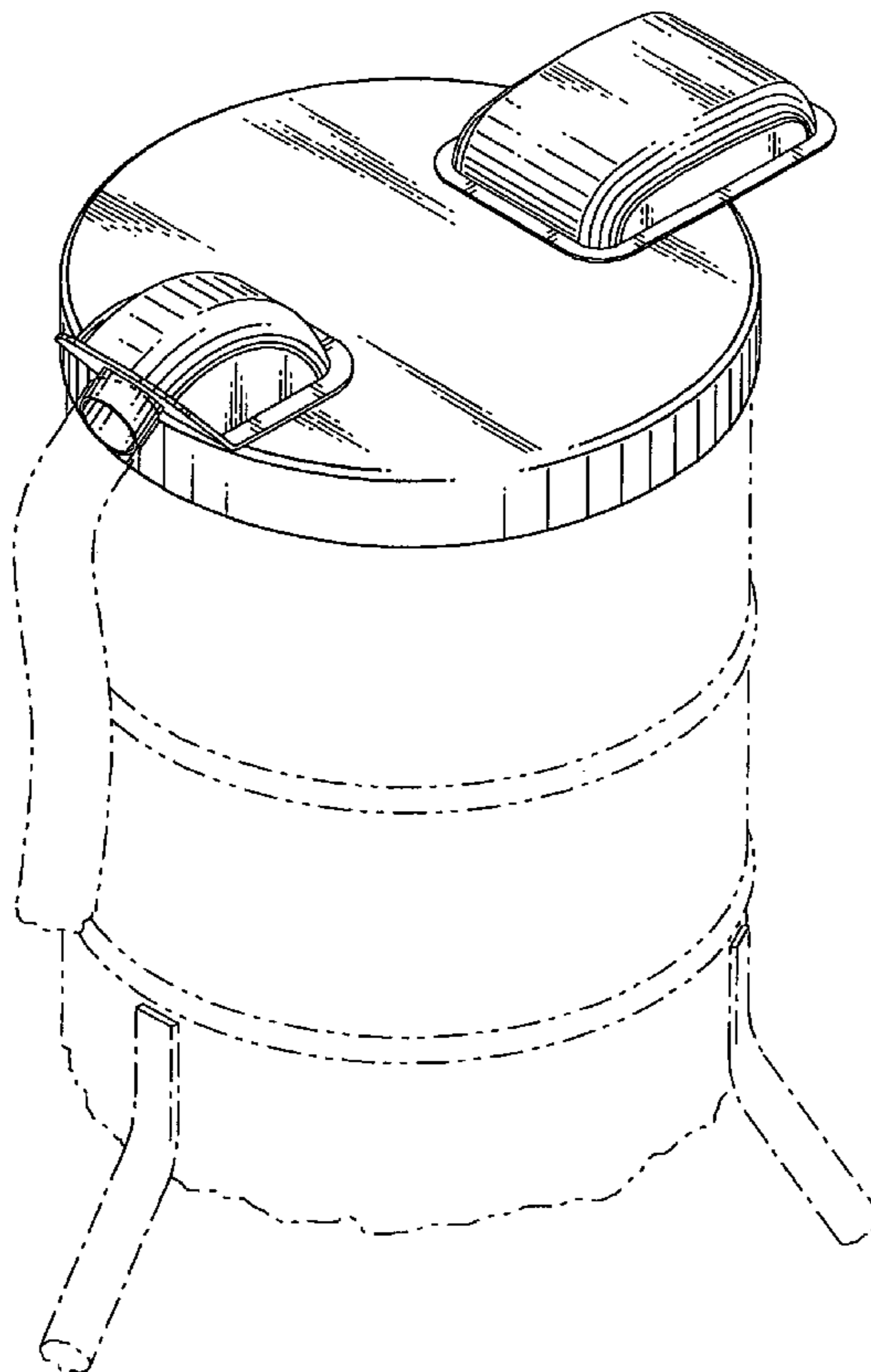
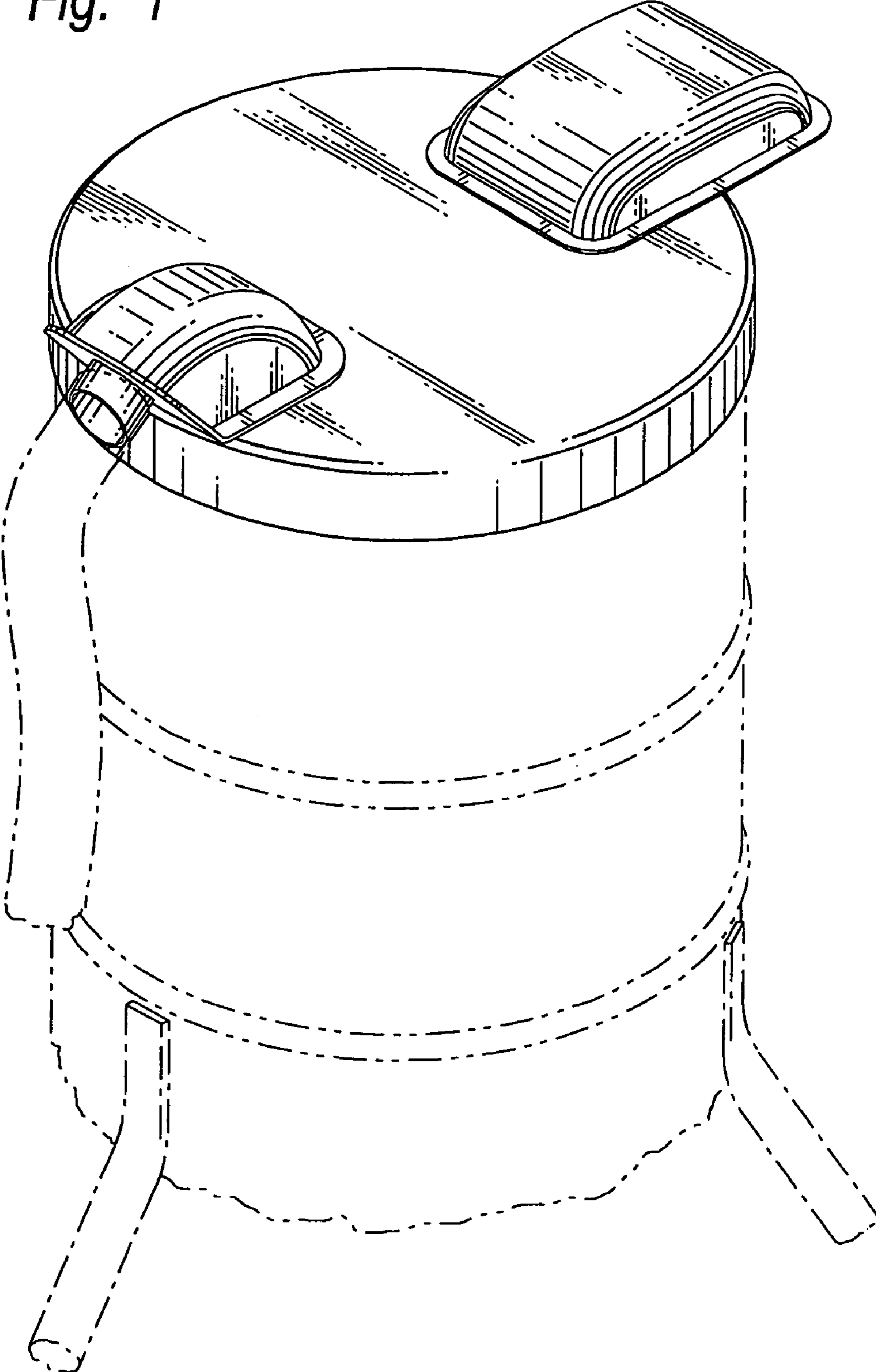


Fig. 1



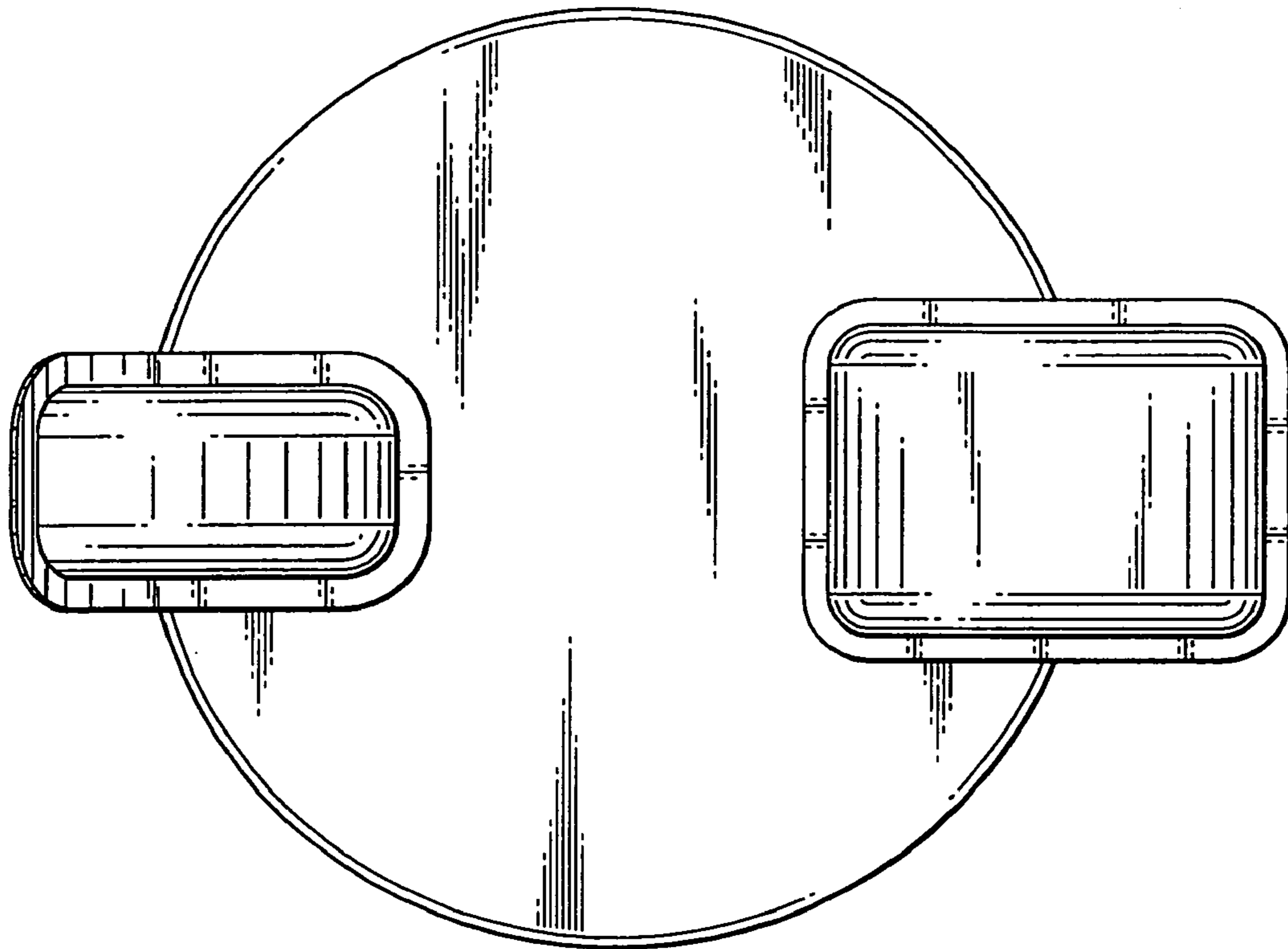


Fig. 2



Fig. 3

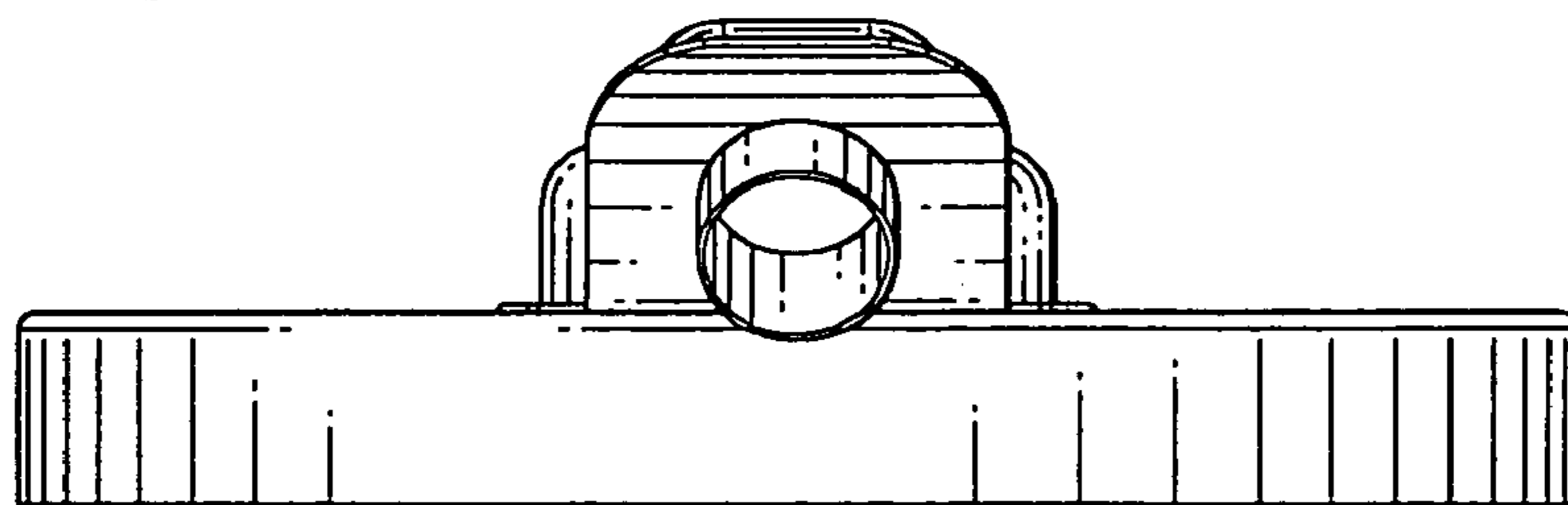


Fig. 4

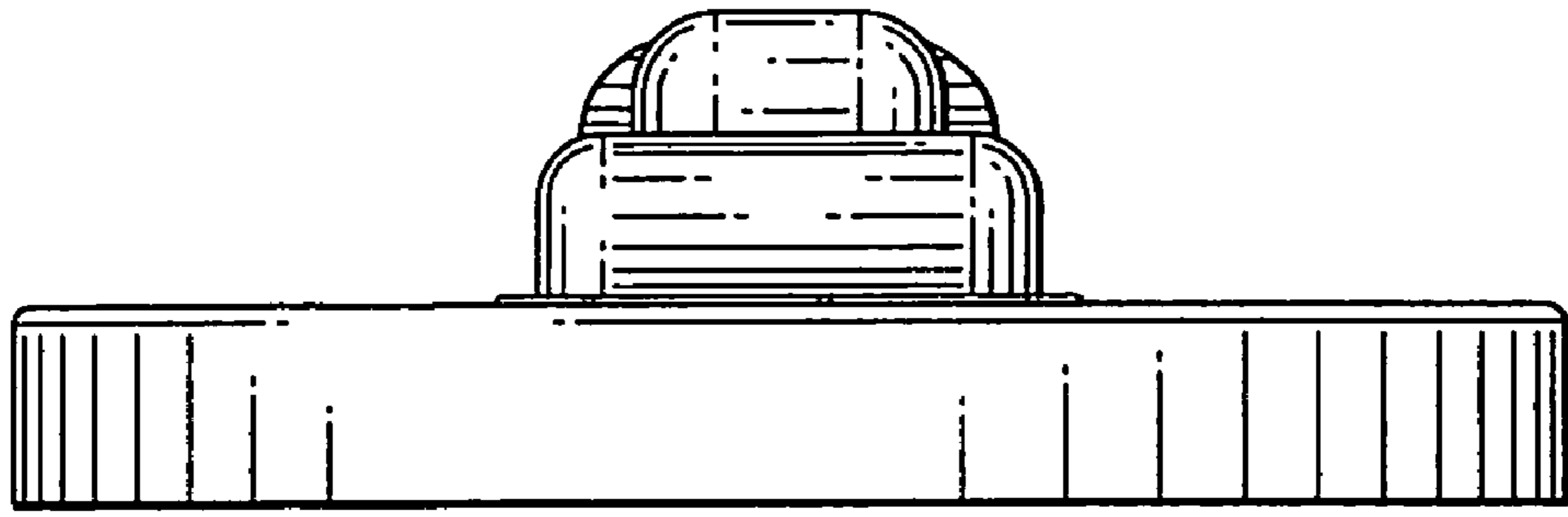


Fig. 5

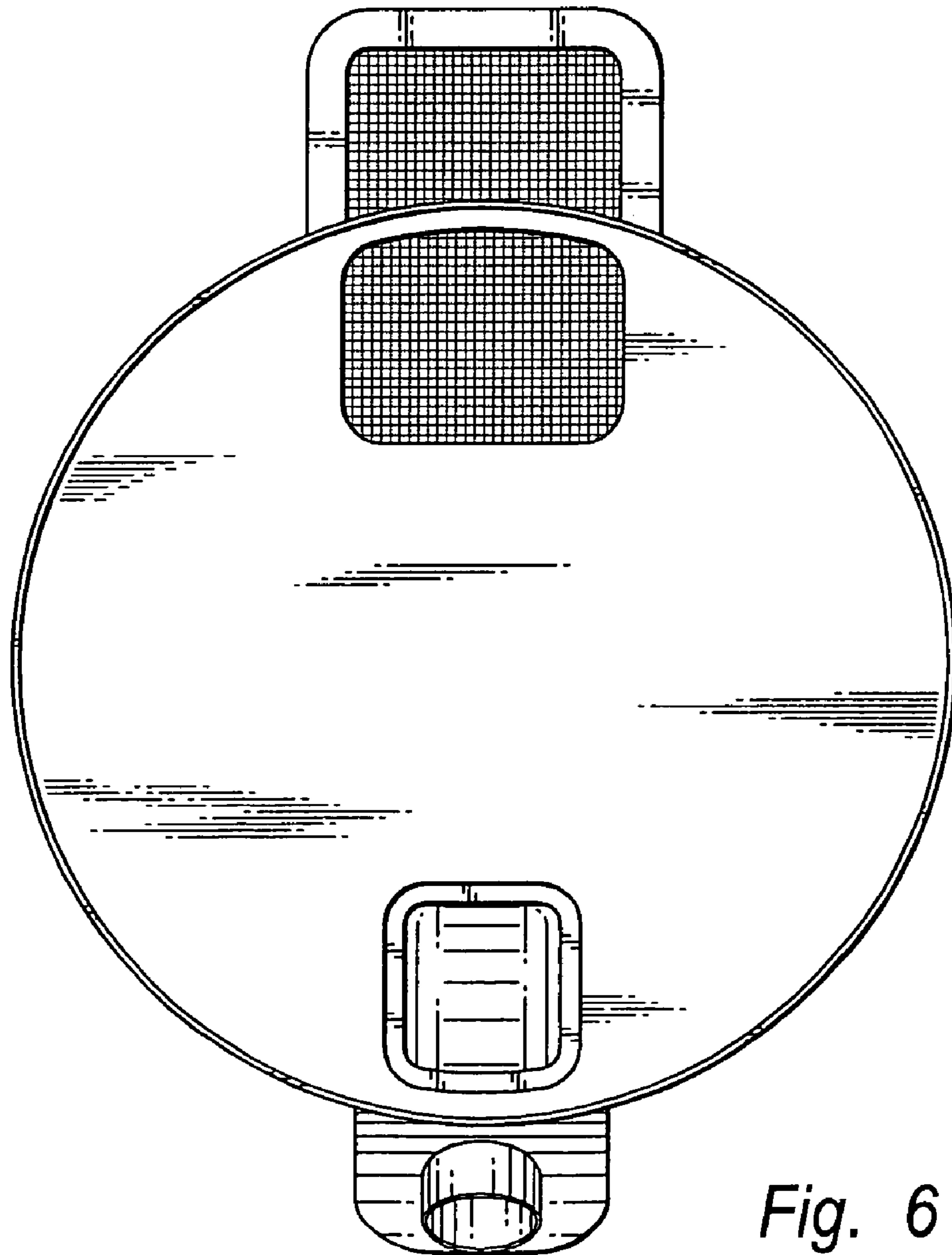


Fig. 6