



US00D556384S

(12) **United States Design Patent**  
**Dupuis**

(10) **Patent No.:** **US D556,384 S**

(45) **Date of Patent:** **\*\* Nov. 27, 2007**

(54) **PROTECTIVE MASK**

(75) **Inventor:** **Yves Dupuis**, St-Thomas de Joliette  
(CA)

(73) **Assignee:** **General Dynamics Ordnance and  
Tactical Systems-Canada Inc.**, Le  
Gardeur (CA)

(\*\*) **Term:** **14 Years**

(21) **Appl. No.:** **29/241,231**

(22) **Filed:** **Oct. 26, 2005**

(30) **Foreign Application Priority Data**

Jul. 7, 2005 (CA) ..... 111733

(51) **LOC (8) Cl.** ..... **29-02**

(52) **U.S. Cl.** ..... **D29/110**

(58) **Field of Classification Search** ..... D29/102-109,  
D29/111-112, 122; 2/5, 6.1-6.3, 6.5-6.8,  
2/9, 410-415, 421-425, 427-428, 435, 468,  
2/205-206, 172-173, 209

See application file for complete search history.

(56) **References Cited**

**U.S. PATENT DOCUMENTS**

D320,477 S \* 10/1991 Hassfuther ..... D29/107  
5,603,117 A \* 2/1997 Hudner et al. .... 2/6.6  
D407,858 S \* 4/1999 Cyr et al. .... D29/108  
6,381,749 B1 \* 5/2002 Cyr ..... 2/9

D459,837 S \* 7/2002 Dupuis ..... D29/110  
D497,039 S \* 10/2004 Dehaan et al. .... D29/108  
6,957,447 B1 \* 10/2005 Broersma ..... 2/9  
D518,242 S \* 3/2006 Wright et al. .... D29/108  
D518,605 S \* 4/2006 Chen ..... D29/108  
D522,179 S \* 5/2006 Wright et al. .... D29/108  
D522,697 S \* 6/2006 Chen ..... D29/108  
2005/0204446 A1 \* 9/2005 Wright ..... 2/9

\* cited by examiner

*Primary Examiner*—Ruth McInroy

(74) *Attorney, Agent, or Firm*—David J. French

(57) **CLAIM**

I claim the ornamental design for a protective mask, as shown and described.

**DESCRIPTION**

FIG. 1 is an isometric view of the protective mask.

FIG. 2 is a left side view of the protective mask.

FIG. 3 is a right side view of the protective mask.

FIG. 4 is a front view of the protective mask.

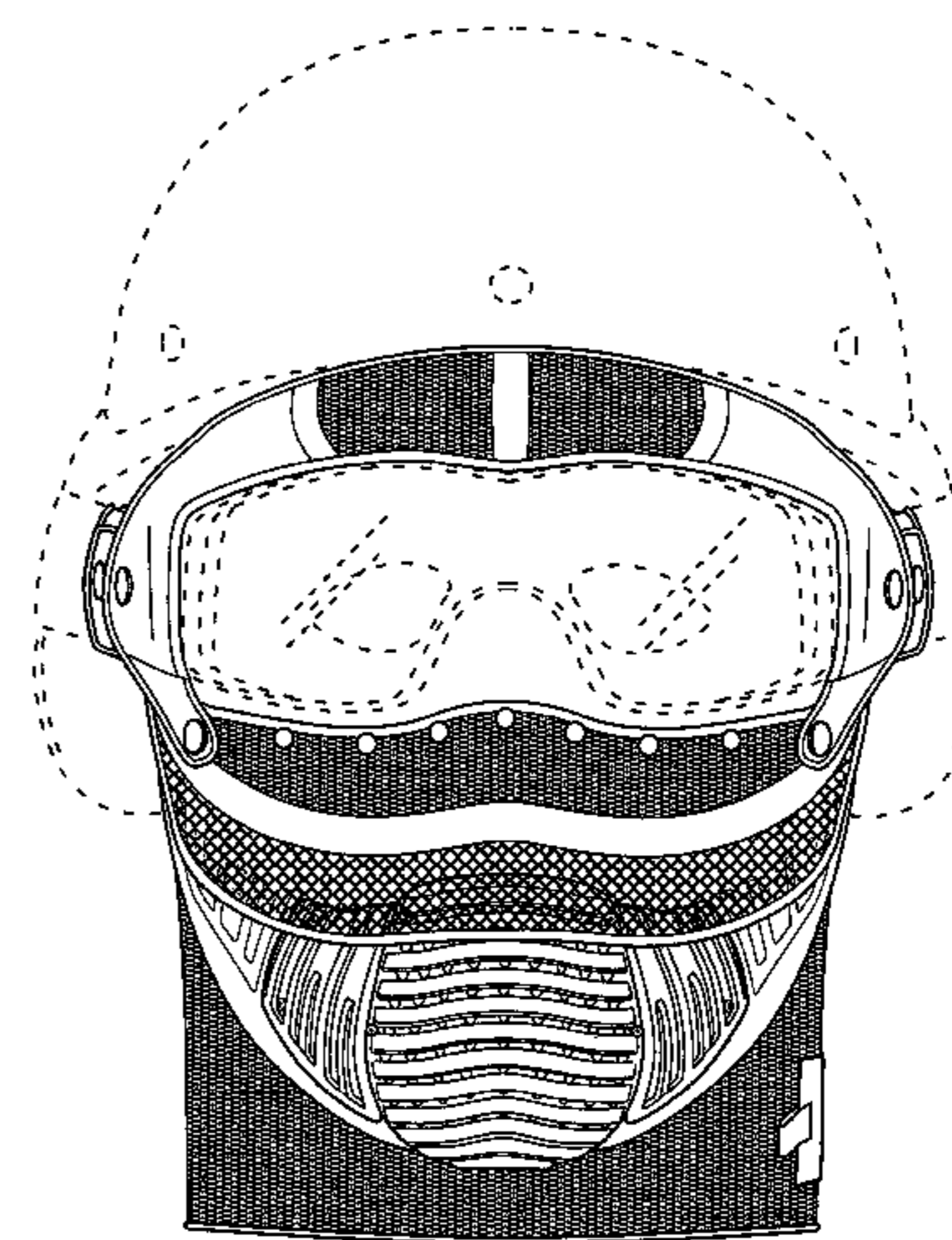
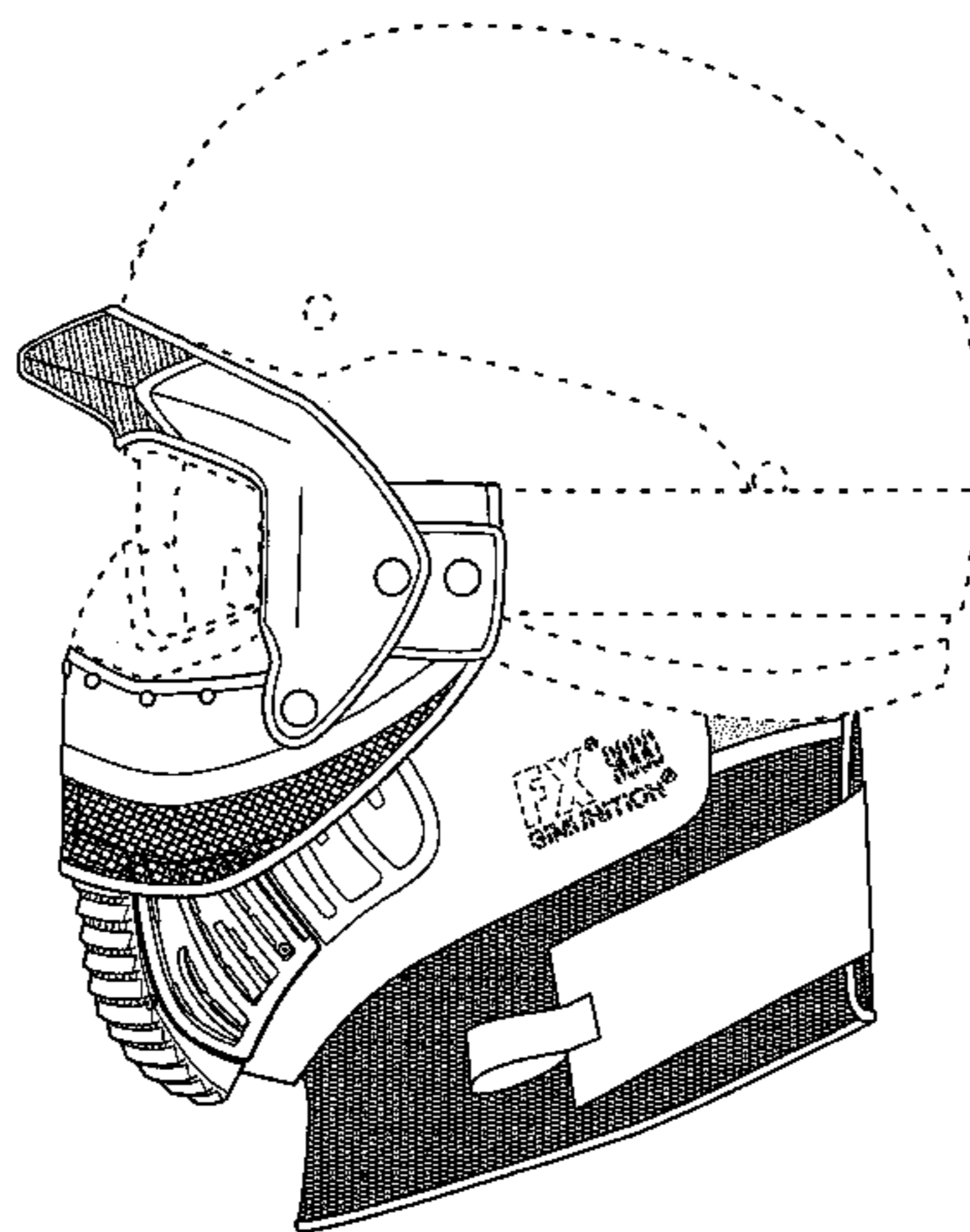
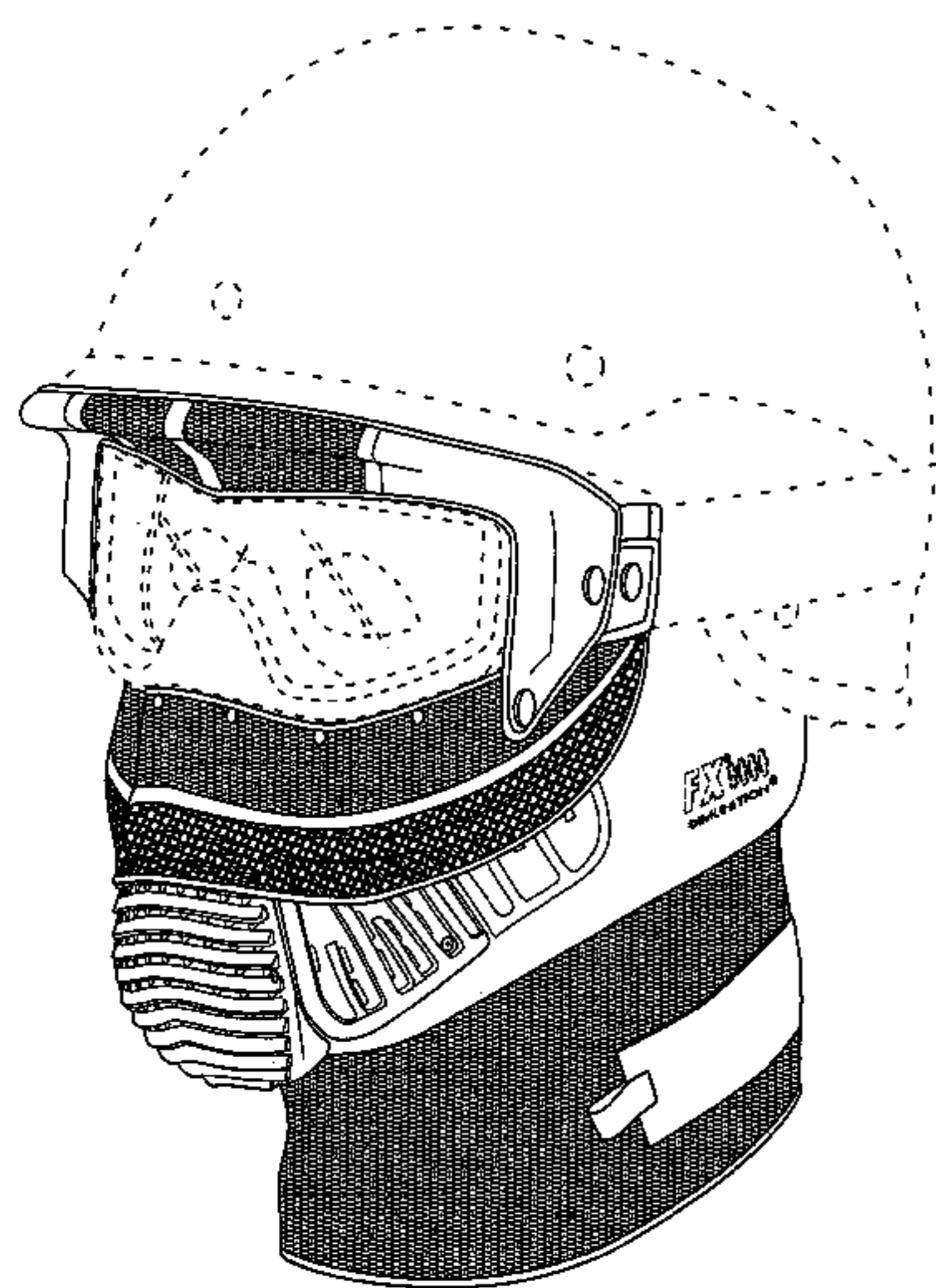
FIG. 5 is a top view of the protective mask.

FIG. 6 is a bottom view of the protective mask; and,

FIG. 7 is a back view of the protective mask.

The details shown in broken lines form no part of the claimed design.

**1 Claim, 7 Drawing Sheets**



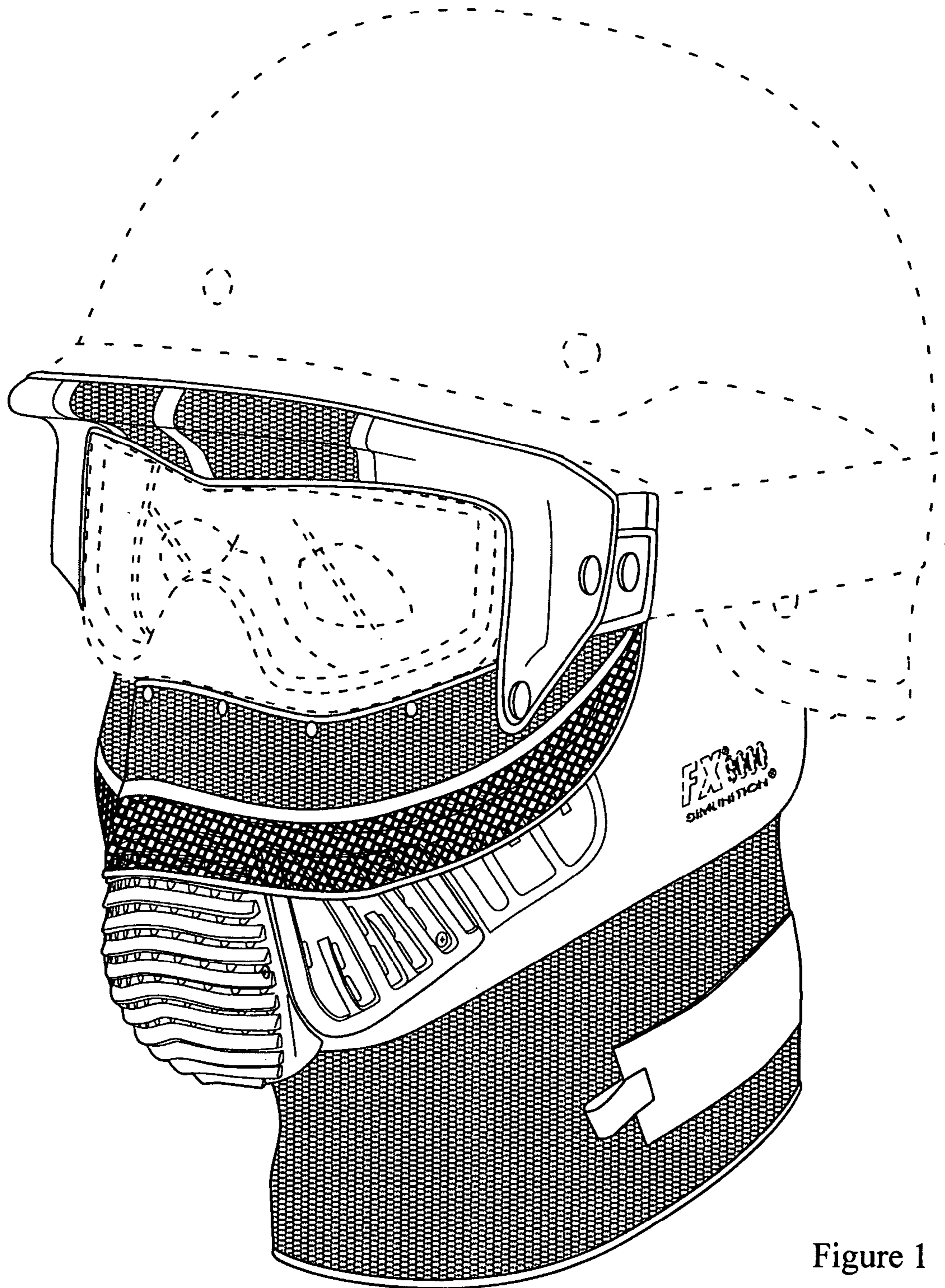


Figure 1

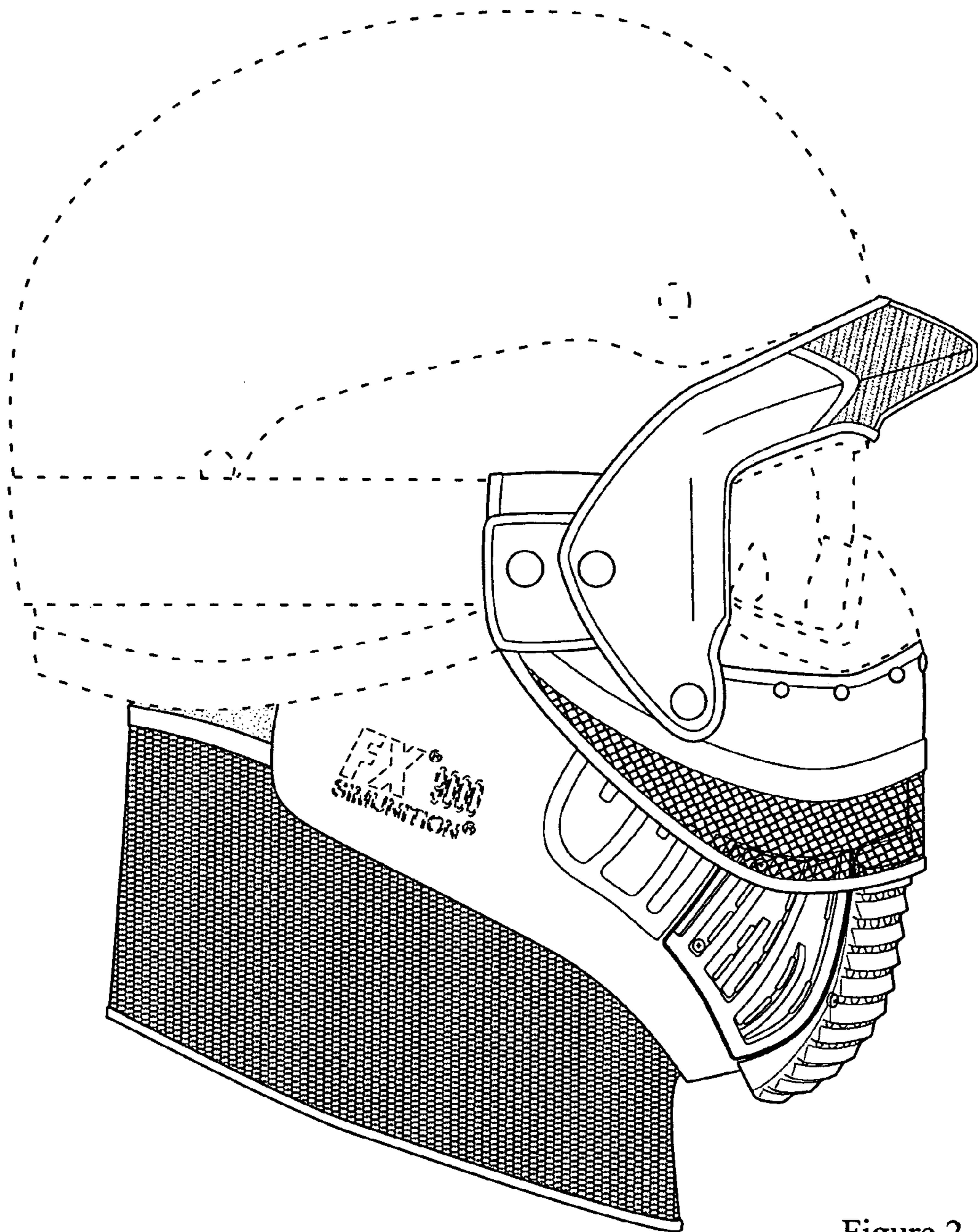


Figure 2

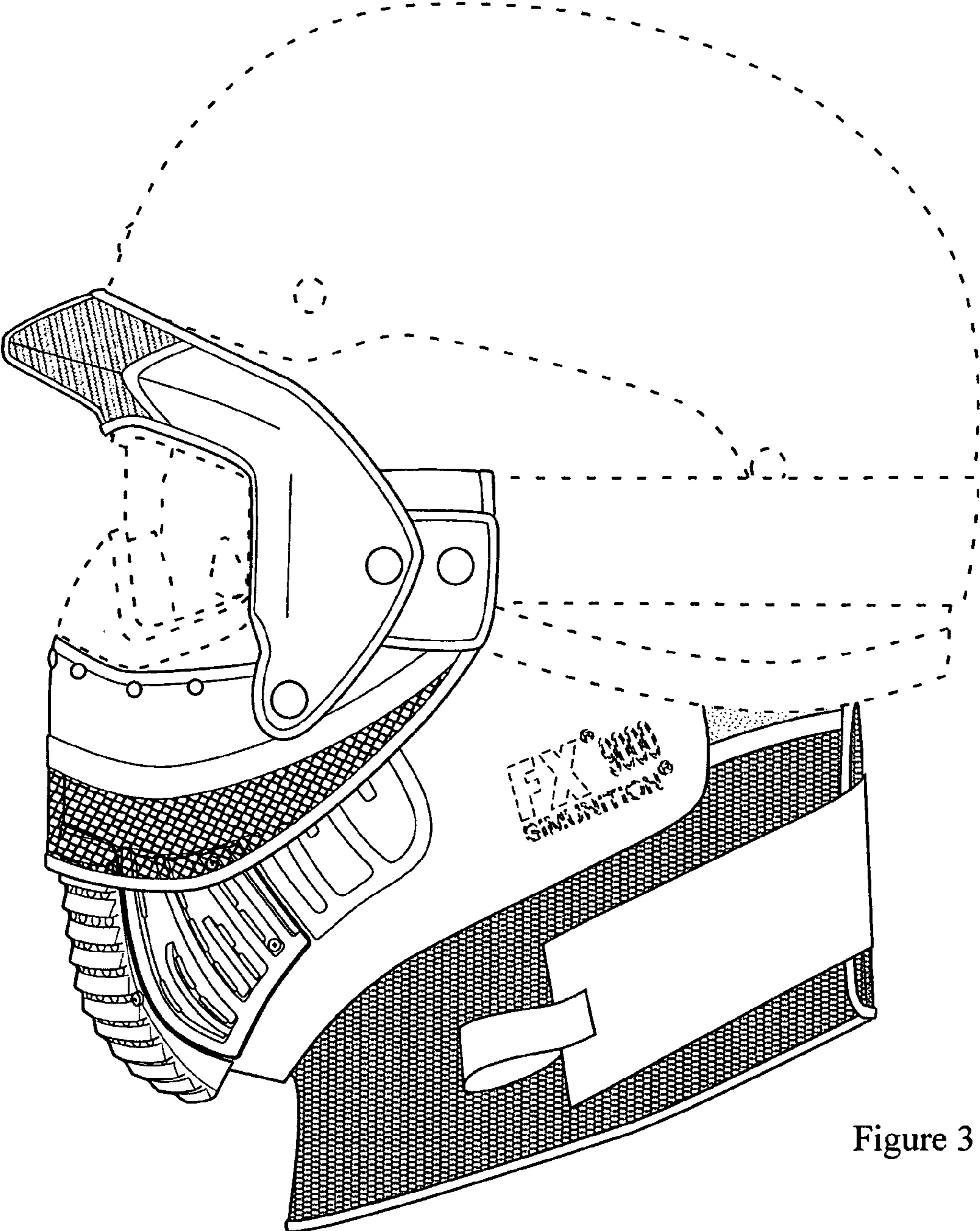


Figure 3

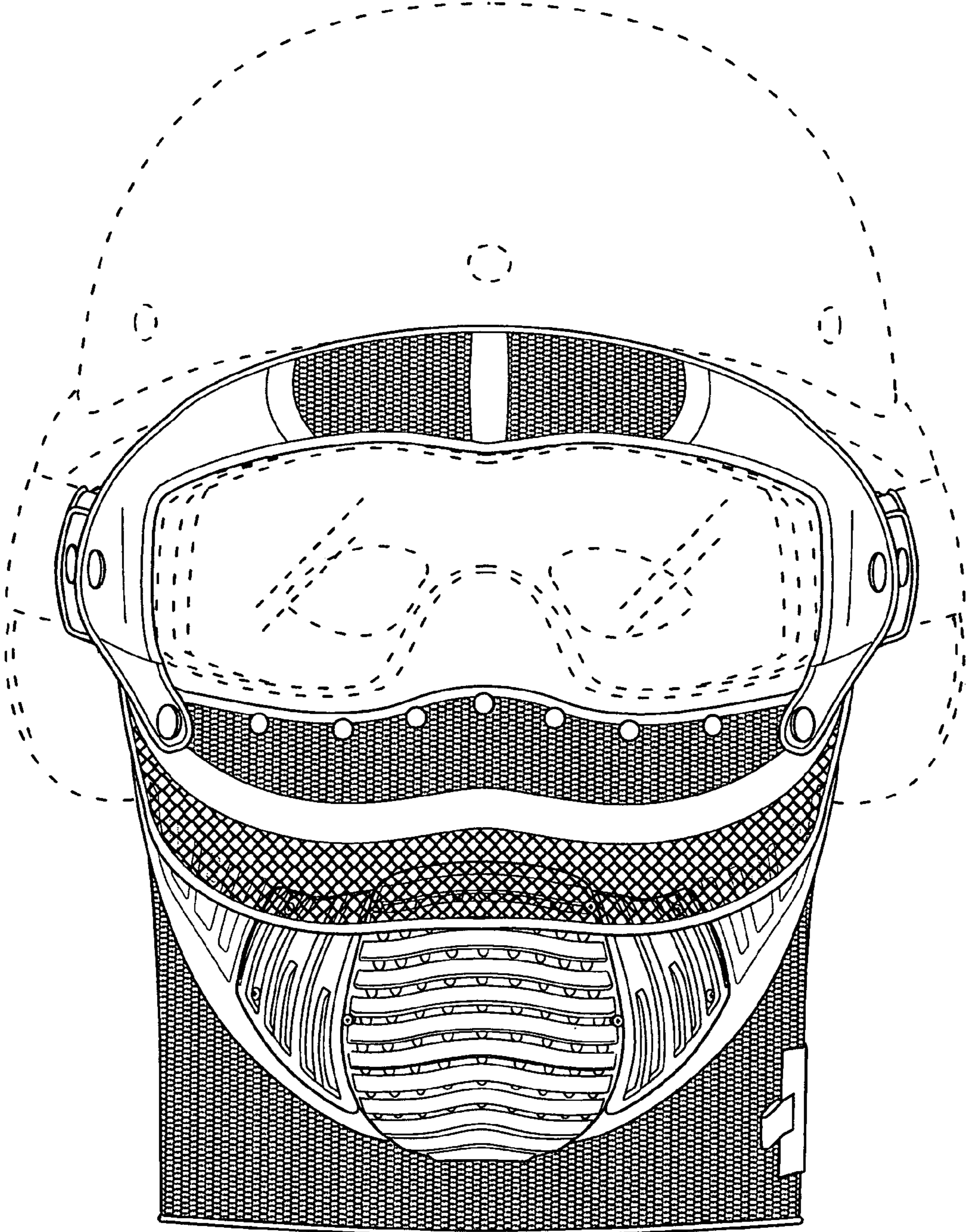


Figure 4

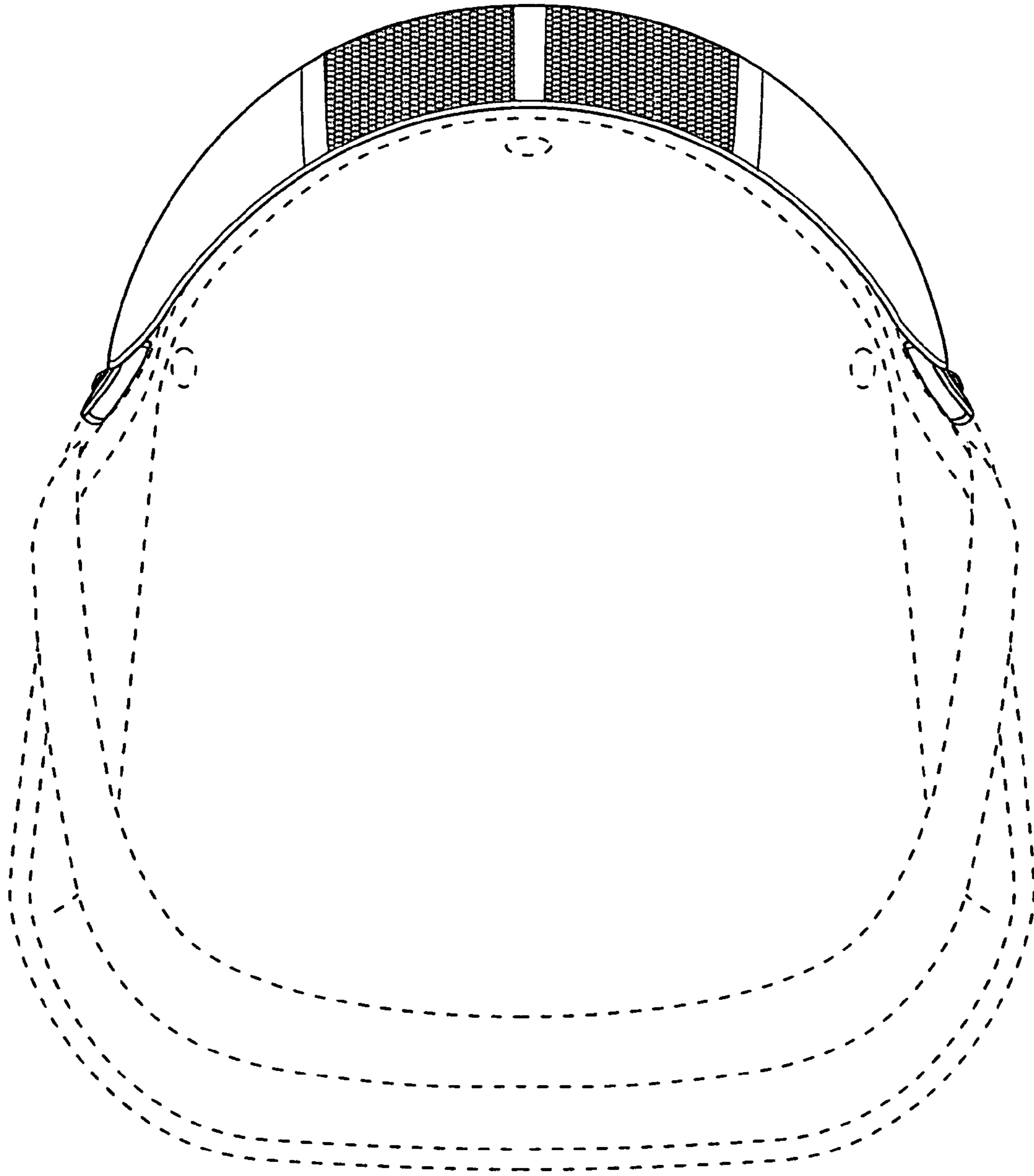


Figure 5

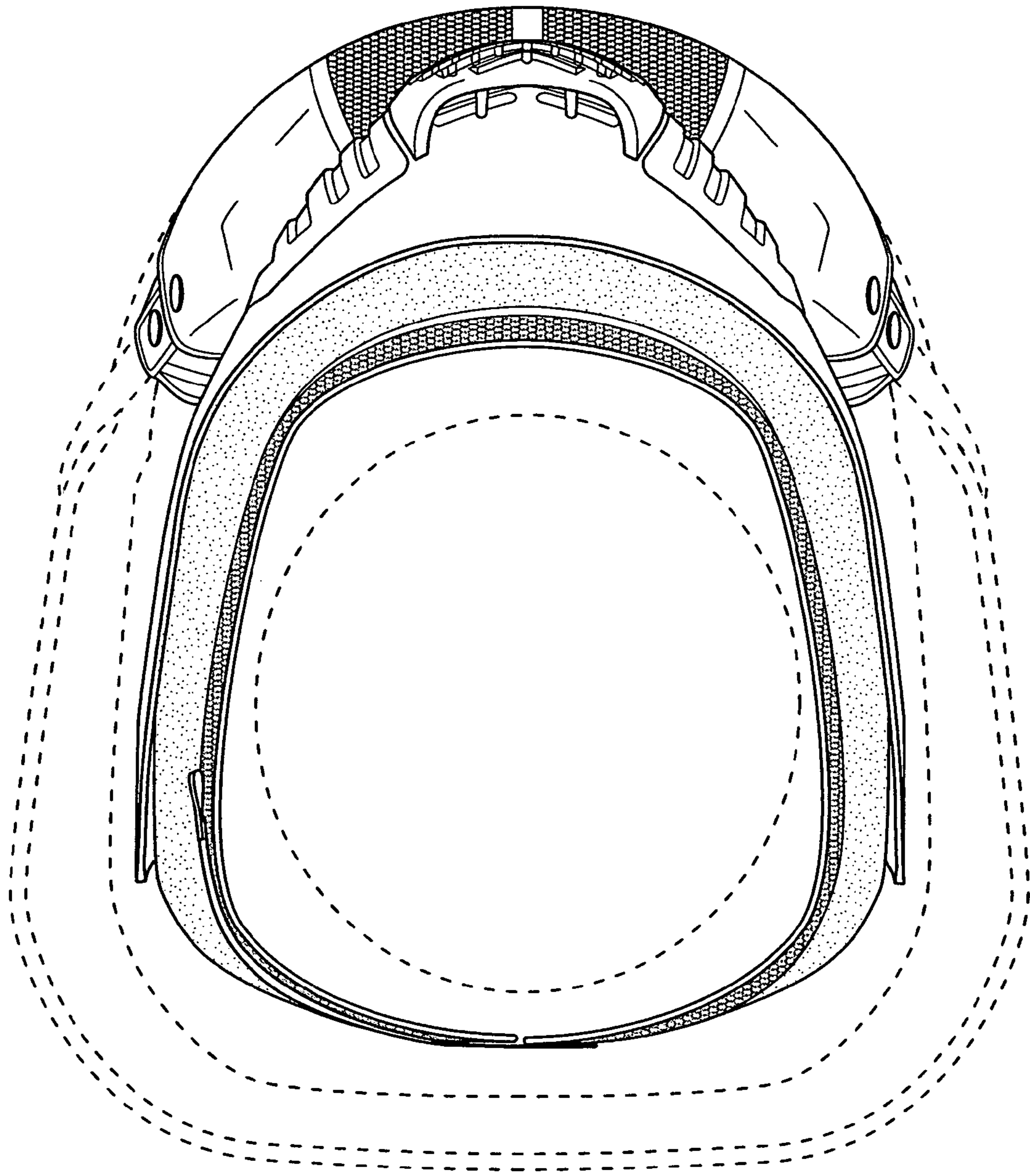


Figure 6

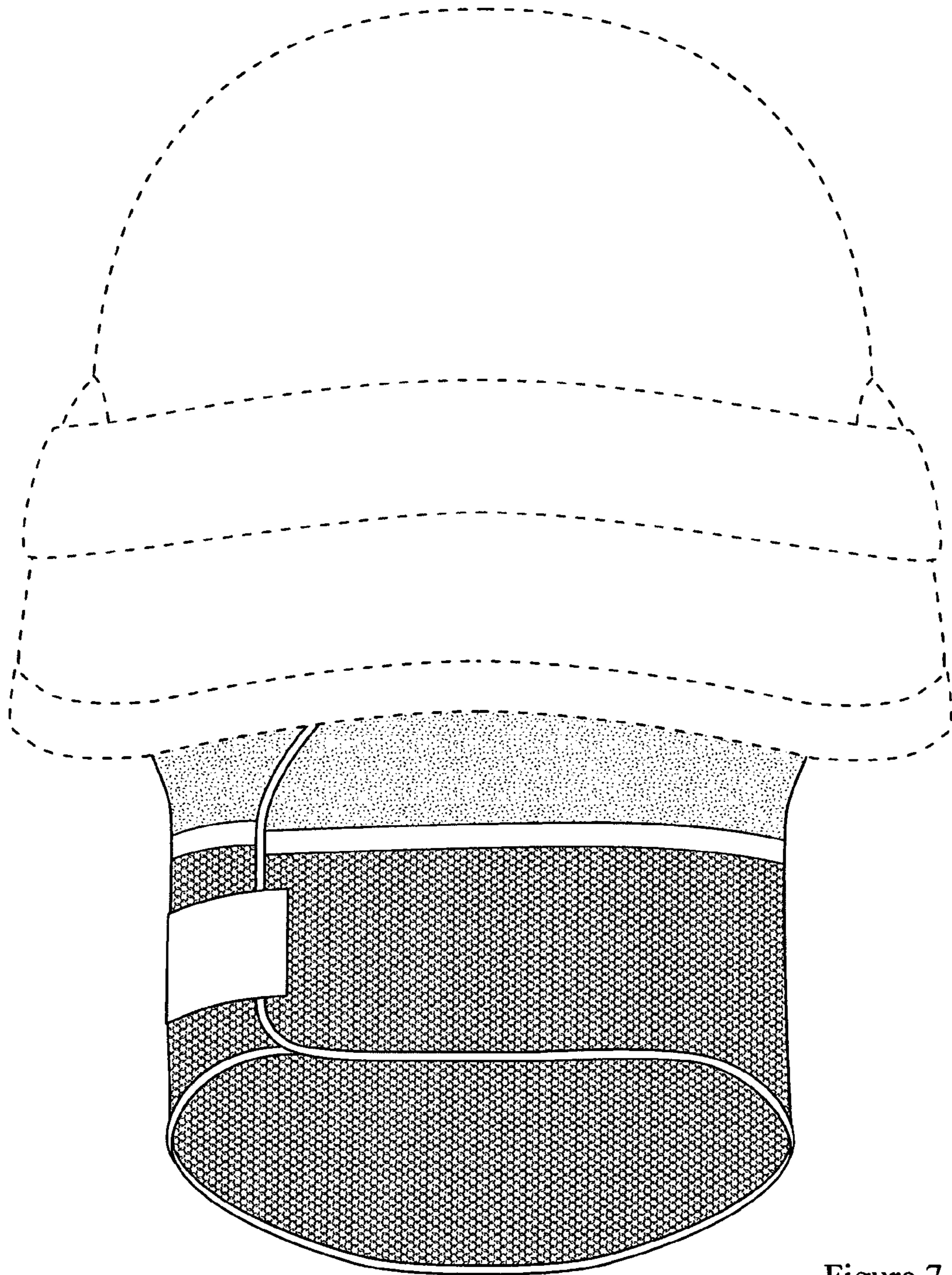


Figure 7