



US00D556378S

(12) **United States Design Patent** (10) **Patent No.:** **US D556,378 S**
Watson et al. (45) **Date of Patent:** **** Nov. 27, 2007**

(54) **RAZOR CARTRIDGE LUBRICANT ASSEMBLY**
(75) Inventors: **Brian Patrick Watson**, Lincoln, RI (US); **Robert Johnson**, Melrose, MA (US); **Soojung Ham**, Providence, RI (US)
(73) Assignee: **The Gillette Company**, Boston, MA (US)

(**) Term: **14 Years**
(21) Appl. No.: **29/286,973**
(22) Filed: **May 24, 2007**

Related U.S. Application Data

(60) Division of application No. 29/263,033, filed on Jul. 14, 2006, now Pat. No. Des. 547,494, which is a continuation of application No. 29/261,436, filed on Jun. 15, 2006.

(51) **LOC (8) Cl.** **28-03**
(52) **U.S. Cl.** **D28/47**
(58) **Field of Classification Search** 30/32, 30/34.05, 34.1, 34.2, 40-41.8, 44-51, 57, 30/81, 82, 537, 538, 346-346.61; D28/44-48
See application file for complete search history.

(56) **References Cited**

U.S. PATENT DOCUMENTS

D361,637 S * 8/1995 Miskin D28/47
D403,811 S * 1/1999 Brown et al. D28/47

D415,315 S 10/1999 Swanson et al.
D422,751 S 4/2000 Gray
6,584,690 B2 7/2003 Orloff et al.
6,925,716 B2 * 8/2005 Bressler et al. 30/41
D512,186 S 11/2005 Kling
D524,986 S 7/2006 Prudden
D526,089 S 8/2006 Fischer et al.
D533,684 S 12/2006 Gray et al.
2005/0144786 A1 7/2005 Bressler et al.
2005/0278954 A1 12/2005 Orloff et al.

* cited by examiner

Primary Examiner—Jennifer Rivard
(74) *Attorney, Agent, or Firm*—Kevin C. Johnson

(57) **CLAIM**

The ornamental design for a razor cartridge lubricant assembly, as shown and described.

DESCRIPTION

FIG. 1 is a perspective view as seen from the top, front and right side of a razor cartridge lubricant assembly;
FIG. 2 is a top plan view thereof;
FIG. 3 is a left side elevational view thereof, the right side elevation being a mirror image thereof;
FIG. 4 is a bottom plan view thereof; and
FIG. 5 is a rear elevational view thereof; and,
FIG. 6 is a front elevational view thereof.

The broken lines are for illustrative purposes only and form no part of the claimed design.

1 Claim, 6 Drawing Sheets

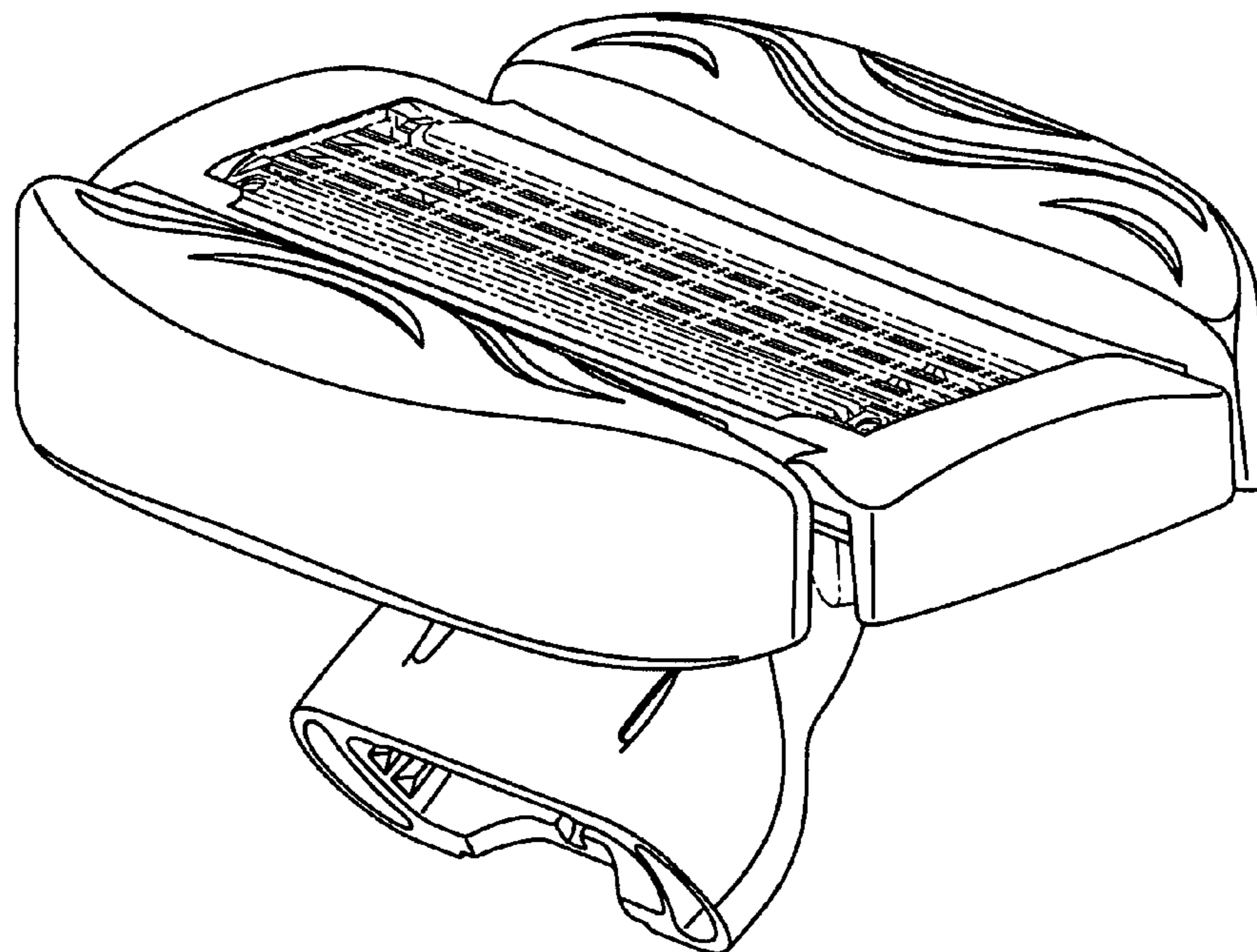


FIG. 1

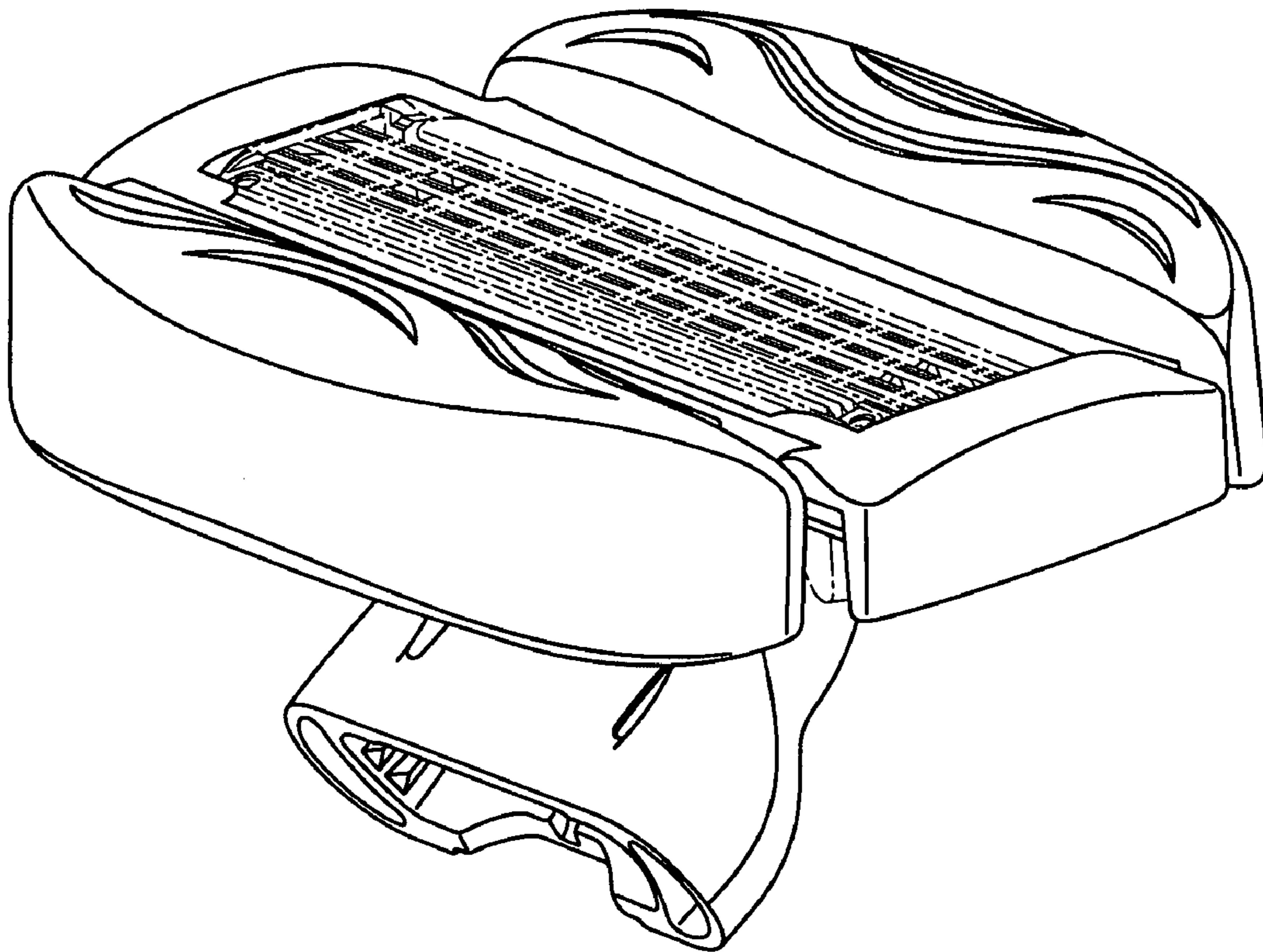


FIG. 2

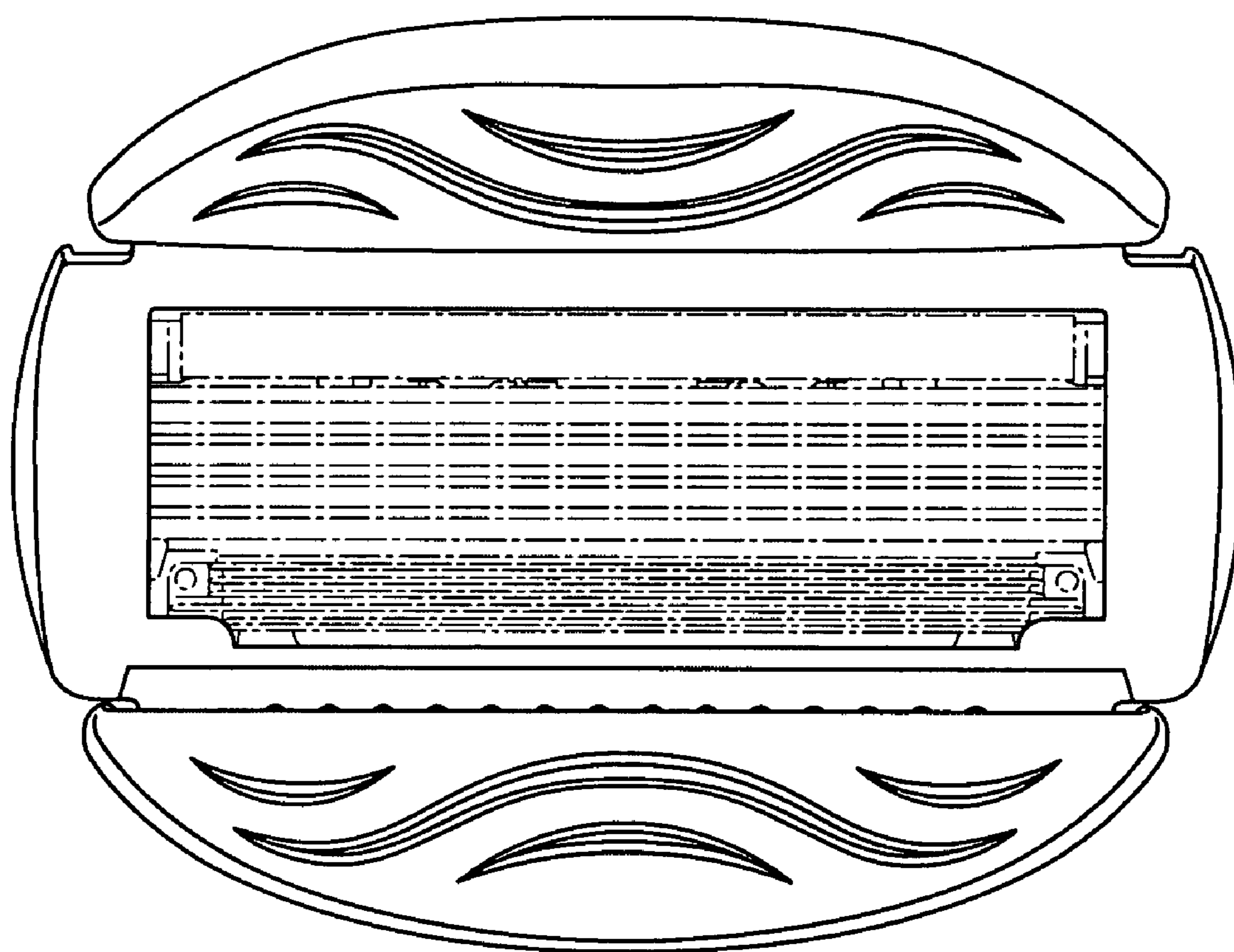


FIG. 3

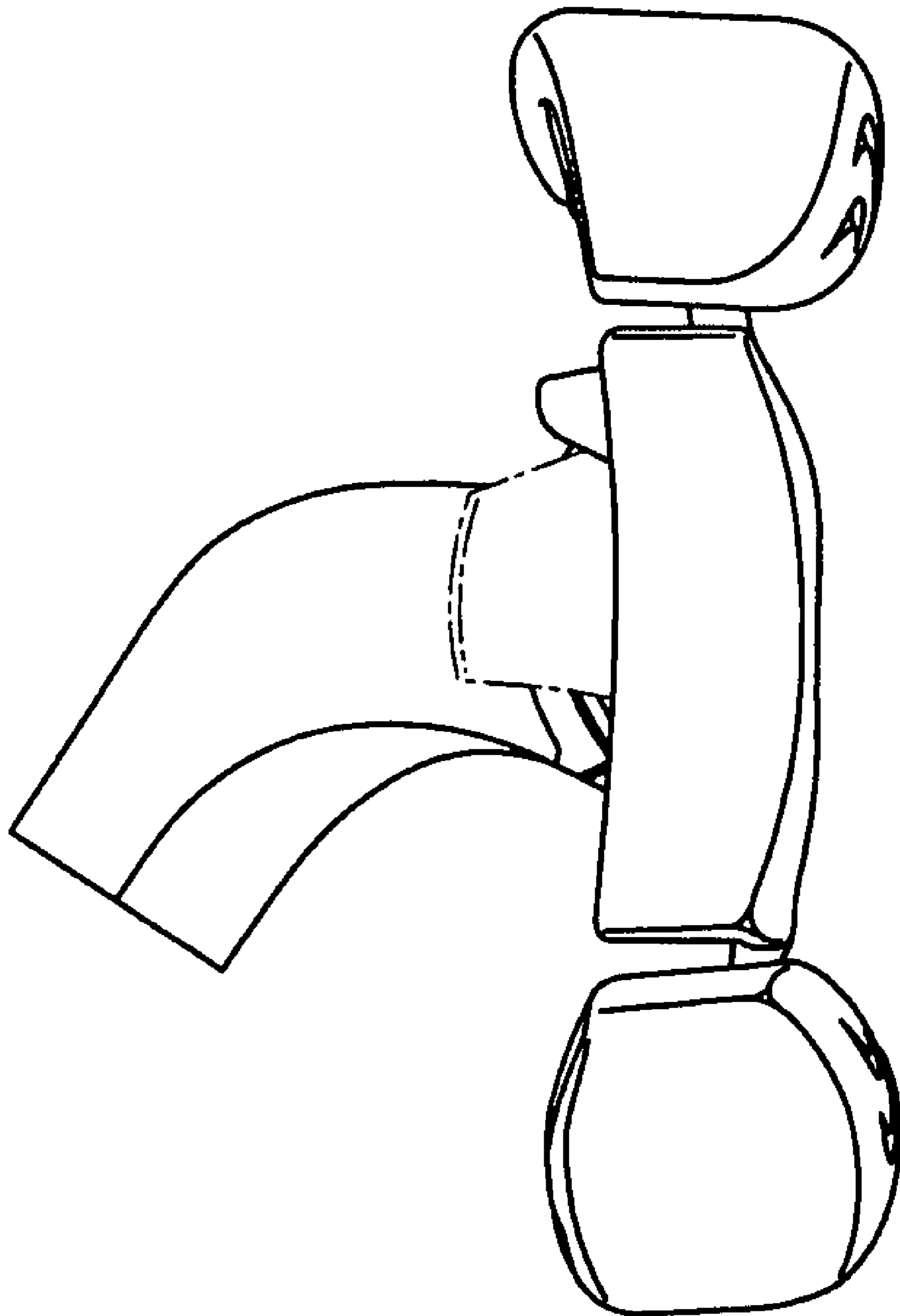


FIG. 4

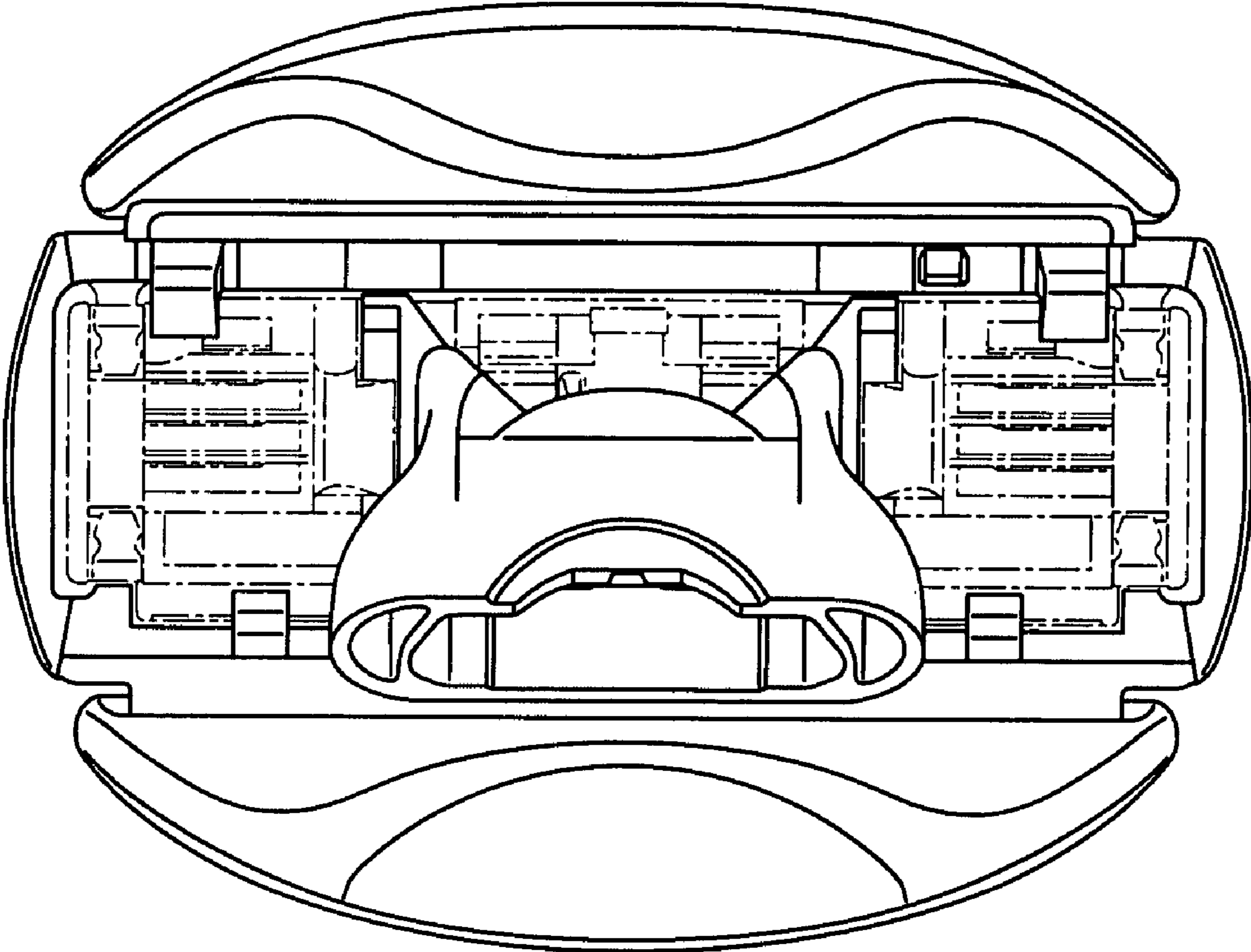


FIG. 5

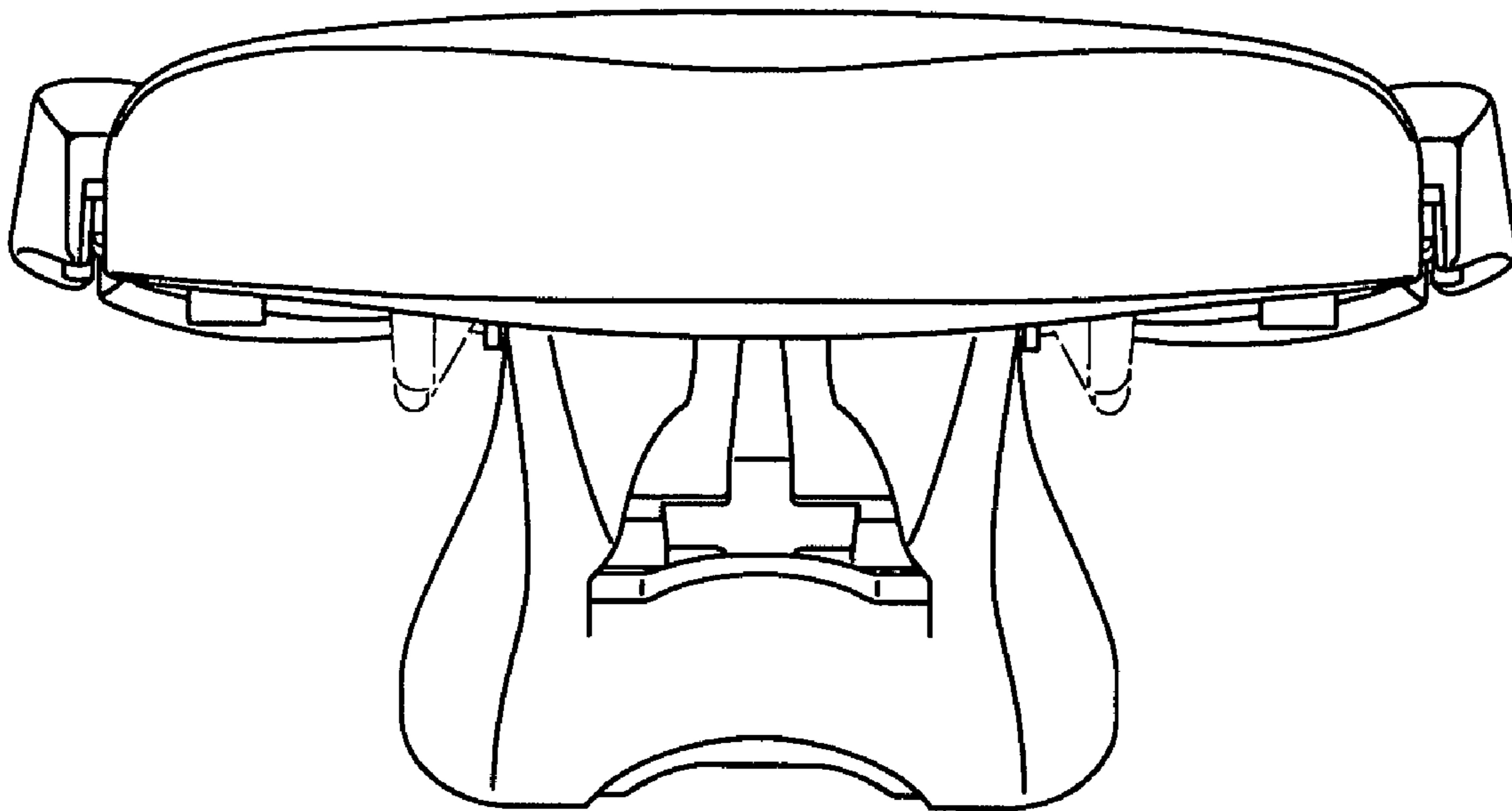


FIG. 6

