



US00D556374S

(12) **United States Design Patent** (10) **Patent No.:** **US D556,374 S**  
**Kirar** (45) **Date of Patent:** **\*\* Nov. 27, 2007**

(54) **FIXTURE SUPPORT**

(75) Inventor: **Laura K. Kirar**, New York, NY (US)

(73) Assignee: **Kohler Co.**, Kohler, WI (US)

(\*\*) Term: **14 Years**

(21) Appl. No.: **29/229,233**

(22) Filed: **May 4, 2005**

(51) **LOC (8) Cl.** ..... **26-99**

(52) **U.S. Cl.** ..... **D26/155**

(58) **Field of Classification Search** ..... D26/155,  
D26/138, 145, 142, 87, 92, 63, 80, 84, 152,  
D26/61, 64, 72, 113, 140, 141, 143, 147,  
D26/153; 403/164; 362/427, 405, 147,  
362/151, 269, 277, 285, 319, 368, 369, 371  
See application file for complete search history.

(56) **References Cited**

**U.S. PATENT DOCUMENTS**

D48,158 S *	11/1915	Morrell	.....	D26/92
D64,521 S *	4/1924	Wolter	.....	D26/92
D75,060 S *	5/1928	Rosenblatt	.....	D26/145
D177,715 S *	5/1956	Clemens	.....	D26/87
4,805,984 A *	2/1989	Cobb, Jr.	.....	385/133
5,016,143 A *	5/1991	Aikens	.....	362/560
5,745,632 A *	4/1998	Dreyer	.....	385/133
D394,125 S *	5/1998	Barry	.....	D26/87
D418,624 S *	1/2000	Vanderbyl	.....	D26/87
D419,714 S *	1/2000	Diaz-Azcuy	.....	D26/87
D441,487 S *	5/2001	Crosby	.....	D26/87
D442,317 S *	5/2001	Crosby	.....	D26/87
D465,871 S *	11/2002	Hoernig	.....	D26/87
D473,002 S *	4/2003	Hoernig	.....	D26/87
D487,815 S *	3/2004	Hoernig	.....	D26/87
6,866,396 B2 *	3/2005	Ward	.....	362/220

**OTHER PUBLICATIONS**

Jacob Delafon catalog, Accessories de Salle de Bains, Swan.

Website page for Homeportfolio, Saxo Bathroom from THG, showing wall sconce, May 4, 2005.

Kallista catalog p. 2.42, Michael S. Smith Collection, For Loft Wall Sconce.

Jacob Delafon catalog, p. 304, Melangeurs, Elite.

\* cited by examiner

*Primary Examiner*—Freda S. Nunn

*Assistant Examiner*—Kevin K. Rudzinski

(74) *Attorney, Agent, or Firm*—Quarles & Brady LLP

(57) **CLAIM**

The ornamental design for a fixture support, as shown and described.

**DESCRIPTION**

In a preferred embodiment, the nature of this product is a fixture support such as in a support useful in a wall mountable lighted sconce.

FIG. 1 is a left, top, front perspective view of a fixture support according to my new design;

FIG. 2 is a left side elevational view thereof, the right side elevational view thereof being a mirror image of the left side shown;

FIG. 3 is a front elevational view thereof;

FIG. 4 is a top plan view thereof;

FIG. 5 is a bottom plan view thereof; and,

FIG. 6 is a rear elevational view thereof.

The broken line representations of shade environment in the figures and of rear mounting structure in FIG. 6 are for the purpose of illustration only, and form no part of the claimed design.

**1 Claim, 3 Drawing Sheets**

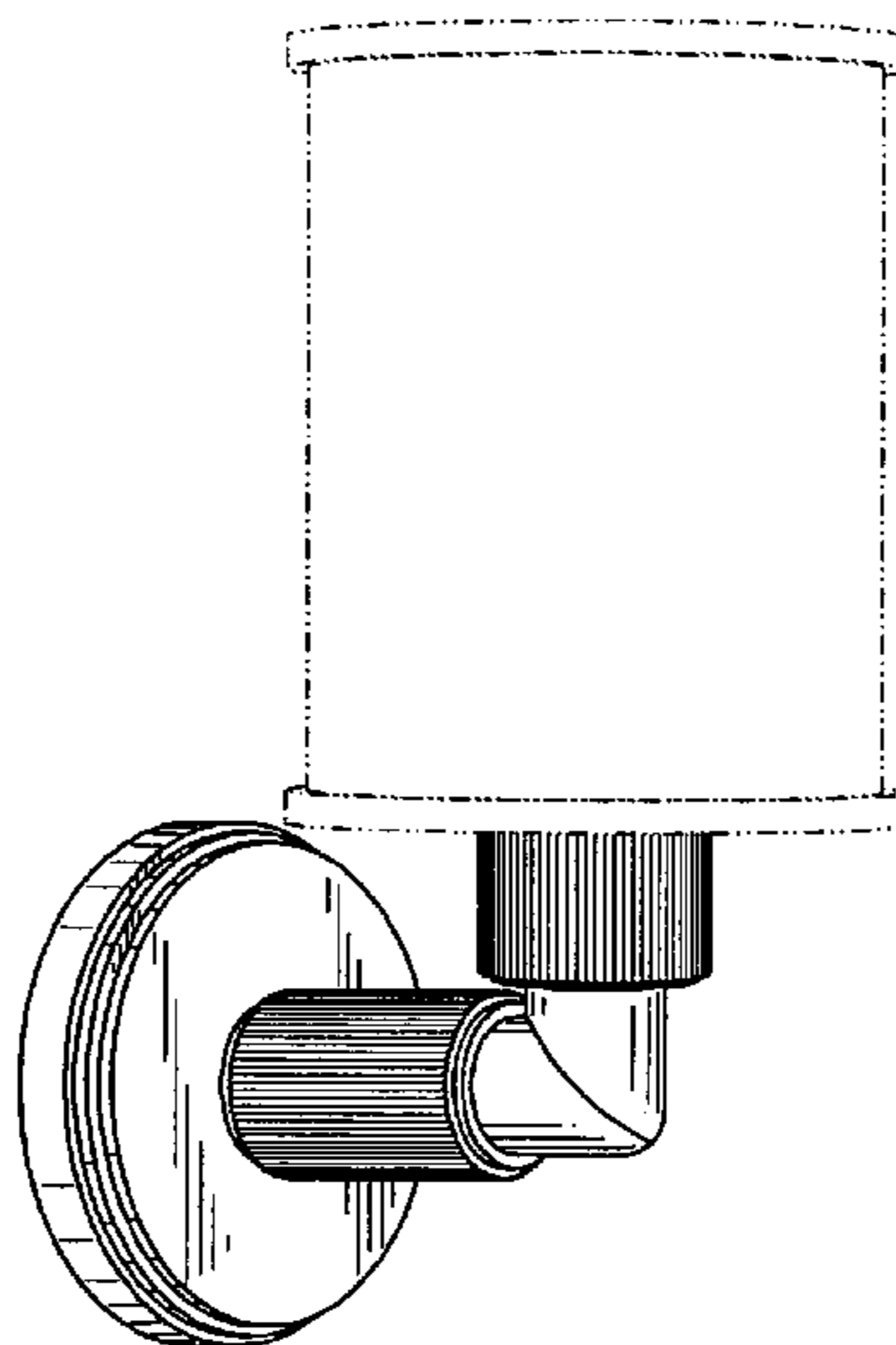


FIG. 1

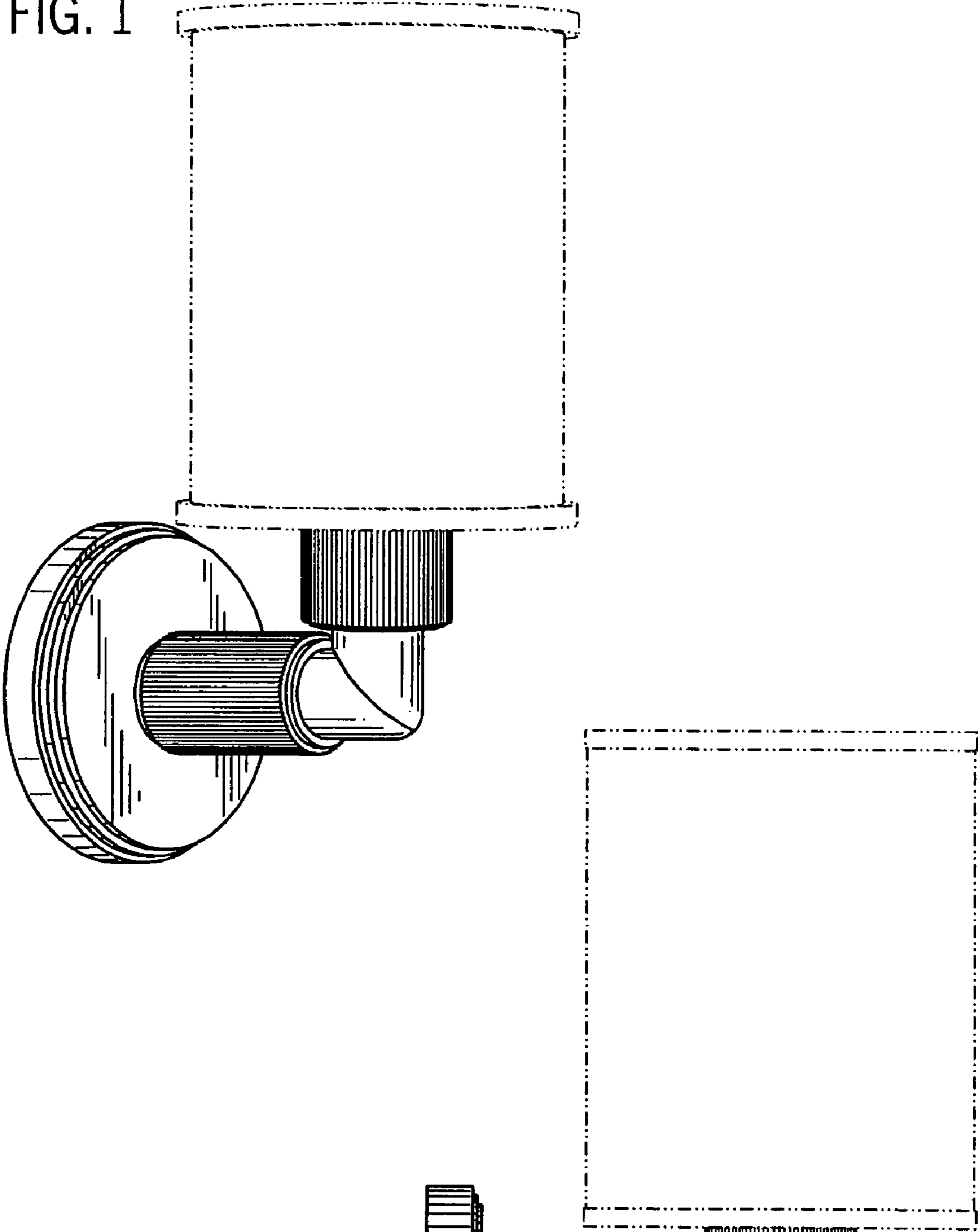
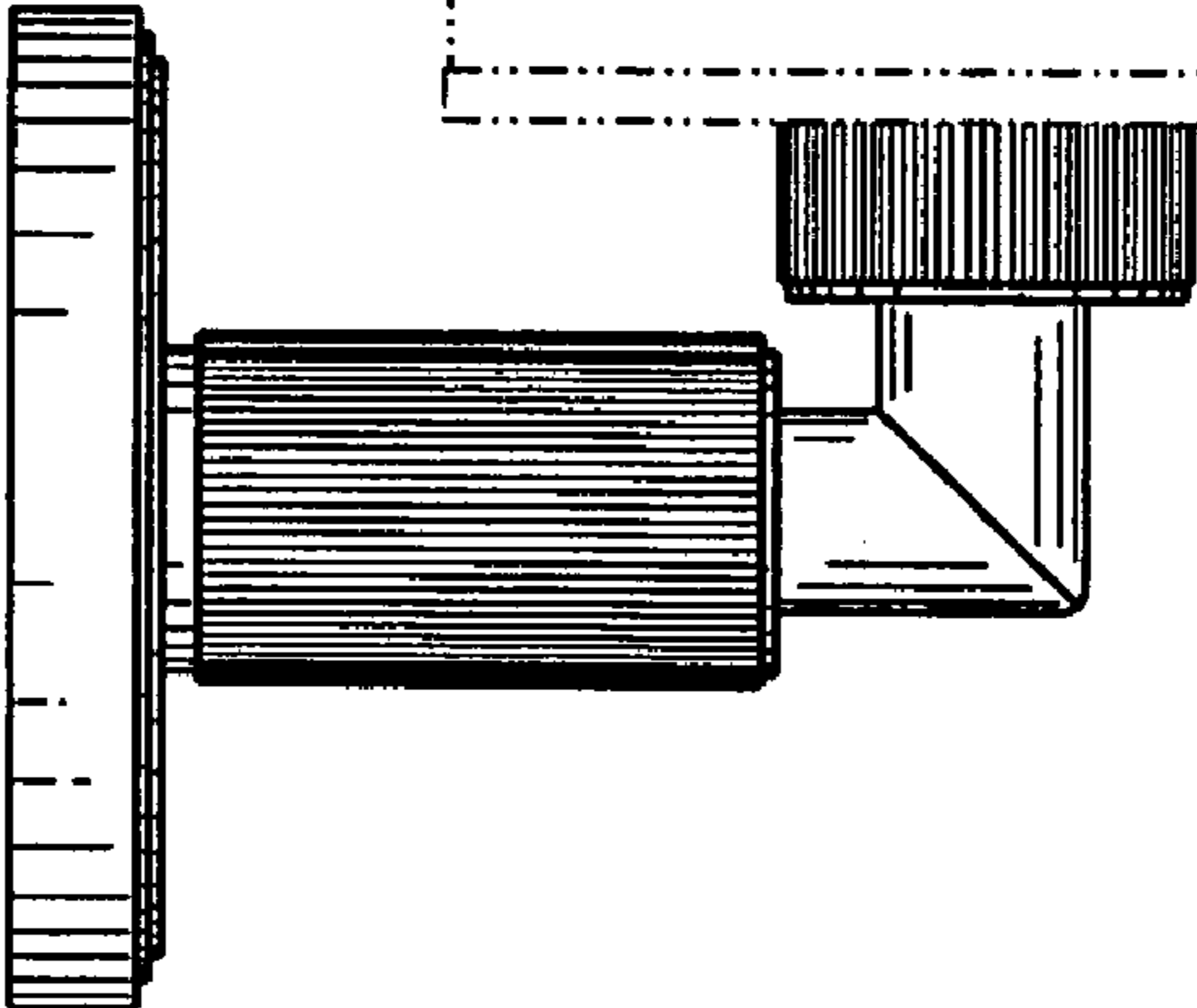


FIG. 2



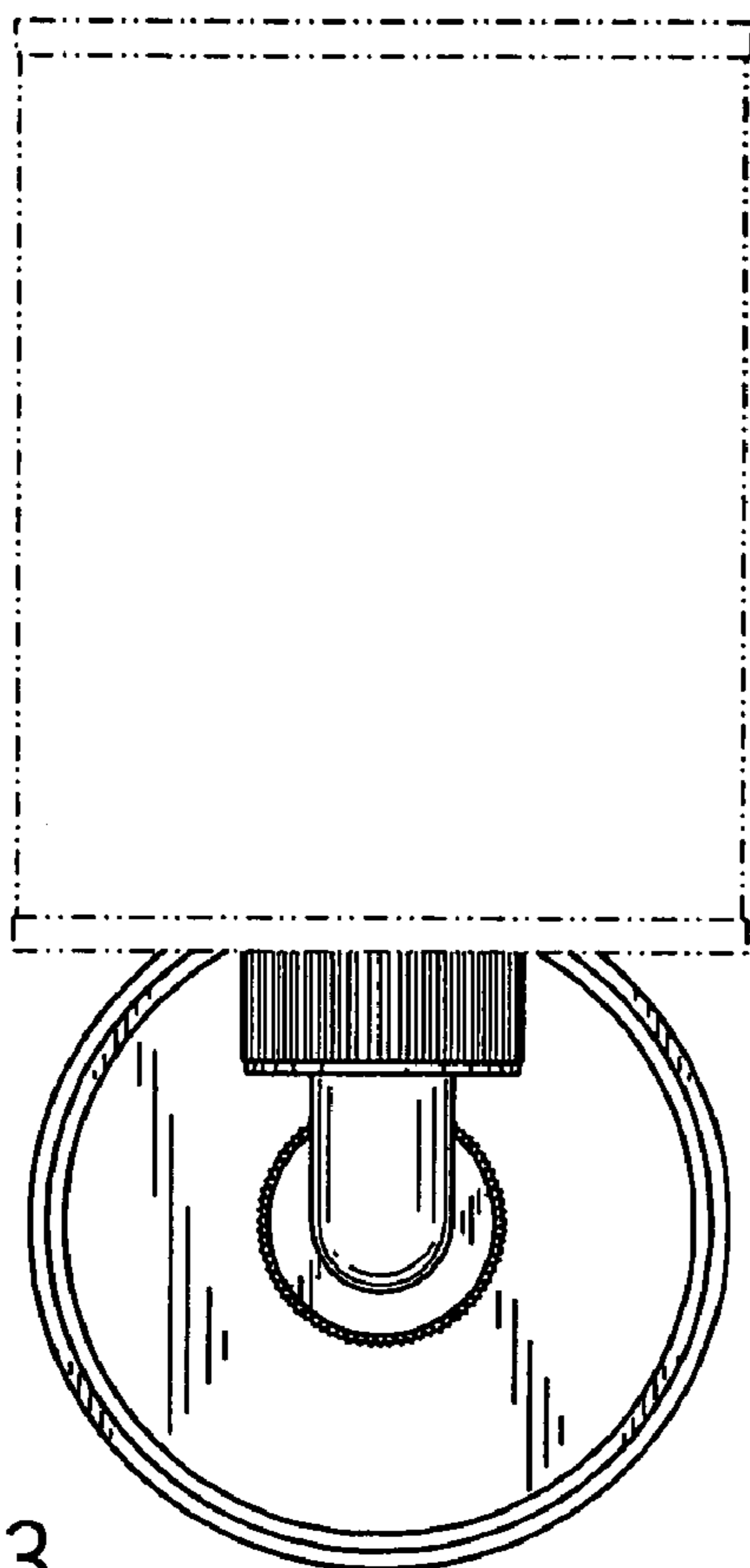


FIG. 3

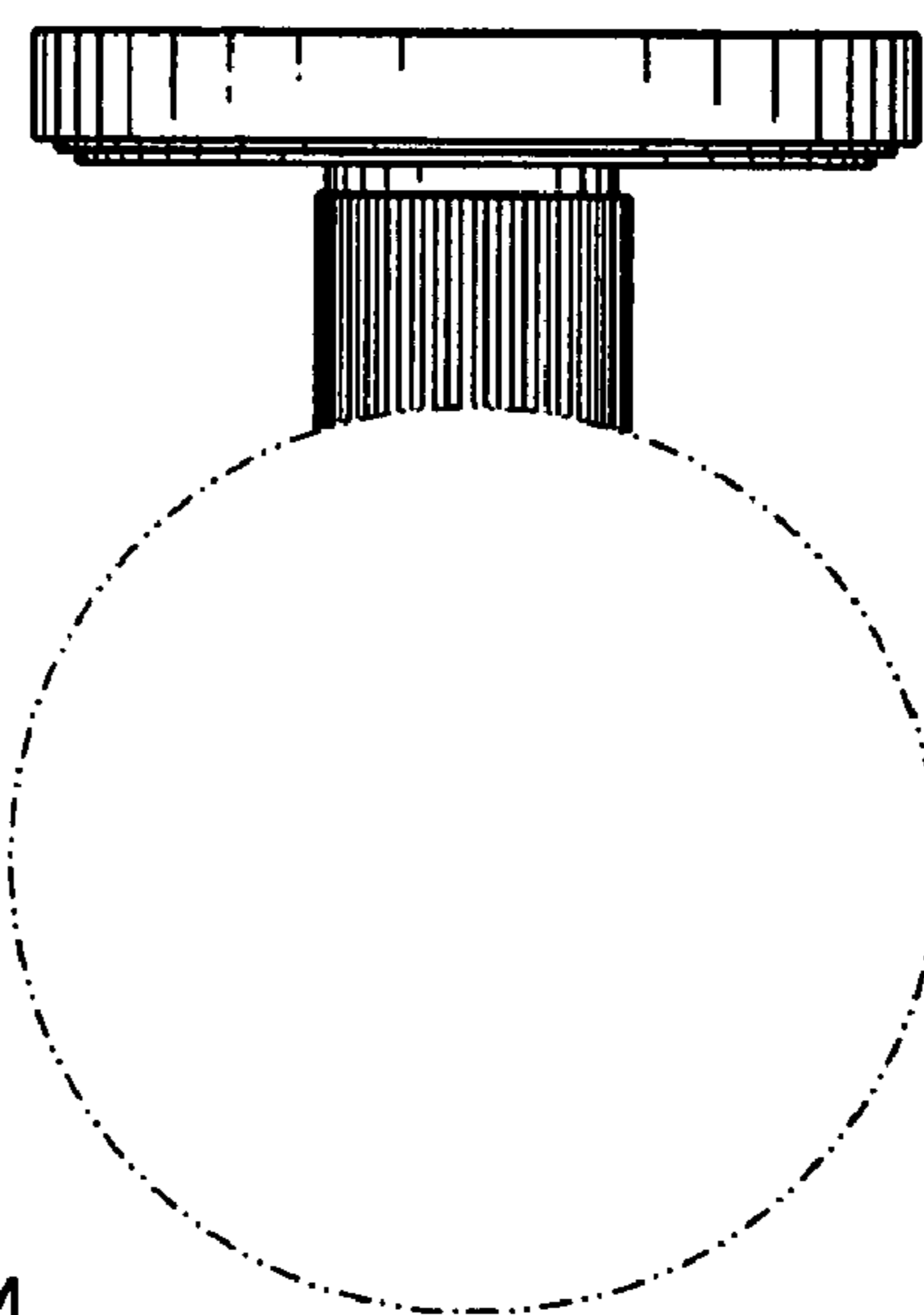


FIG. 4

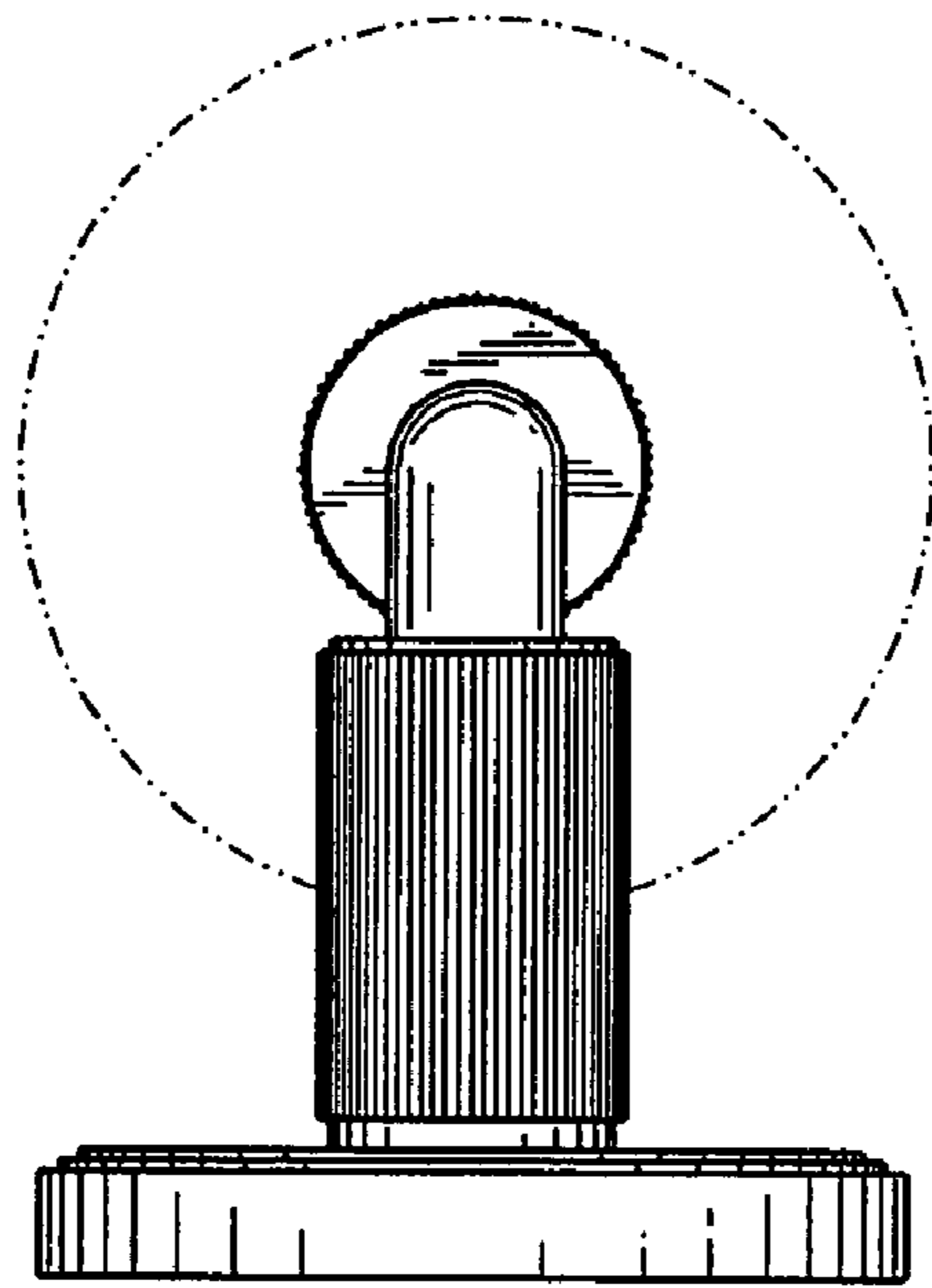


FIG. 5

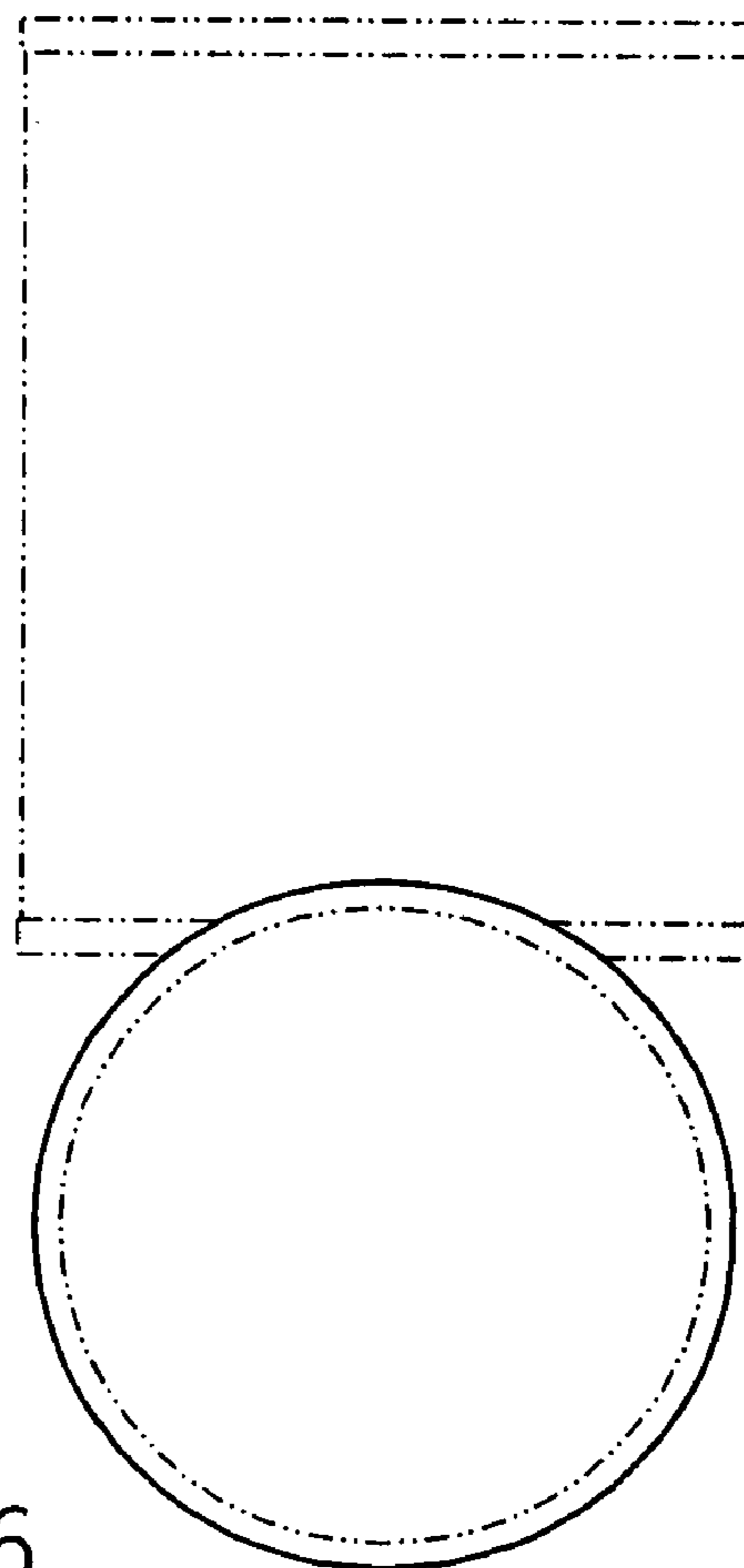


FIG. 6