



US00D556372S

(12) **United States Design Patent**  
**Chan**

(10) **Patent No.:** **US D556,372 S**

(45) **Date of Patent:** **\*\* Nov. 27, 2007**

(54) **LIGHTING FIXTURE**

(75) Inventor: **Erik S. Chan**, Orinda, CA (US)

(73) Assignee: **Boyd Lighting Fixture Company**, San Francisco, CA (US)

(\*\*) Term: **14 Years**

(21) Appl. No.: **29/261,172**

(22) Filed: **Jun. 8, 2006**

(51) **LOC (8) Cl.** ..... **26-99**

(52) **U.S. Cl.** ..... **D26/145**

(58) **Field of Classification Search** ..... D26/155,  
D26/138, 145, 142, 87, 92, 63, 80, 84, 152,  
D26/61, 64, 72, 113, 140, 141, 143, 147,  
D26/153; 362/427, 405, 147, 151, 269, 277,  
362/285, 319, 368, 369, 371; 403/164  
See application file for complete search history.

(56) **References Cited**

**U.S. PATENT DOCUMENTS**

D51,781 S *	2/1918	Gothberg	.....	D26/153
D75,060 S *	5/1928	Rosenblatt	.....	D26/145
D152,336 S *	1/1949	Hirshfield	.....	D26/87
D177,715 S *	5/1956	Clemens	.....	D26/87
D313,668 S *	1/1991	Porter	.....	D26/87
D341,440 S *	11/1993	Hsu	.....	D26/87
D388,219 S *	12/1997	Hsu	.....	D26/87
D394,125 S *	5/1998	Barry	.....	D26/87
D400,285 S *	10/1998	Littman et al.	.....	D26/87
D403,796 S *	1/1999	Crosby	.....	D26/85
D419,714 S *	1/2000	Diaz-Azcuy	.....	D26/87

D441,487 S *	5/2001	Crosby	.....	D26/87
D442,317 S *	5/2001	Crosby	.....	D26/87
D442,728 S *	5/2001	Littman	.....	D26/87
6,280,065 B1 *	8/2001	Denningham	.....	362/414
D456,093 S *	4/2002	Rochon	.....	D26/72
D468,047 S *	12/2002	Lara	.....	D26/85

**OTHER PUBLICATIONS**

“Rigoletto Act II Sconce,” designed by Orlando Diaz-Azcuy, available from Boyd Lighting, 2-pages, 1998.

\* cited by examiner

*Primary Examiner*—Freda S. Nunn

*Assistant Examiner*—Kevin K. Rudzinski

(74) *Attorney, Agent, or Firm*—Heslin Rothenberg Farley & Mesiti P.C.

(57) **CLAIM**

The ornamental design for a lighting fixture, as shown and described.

**DESCRIPTION**

FIG. 1 is a perspective view of a lighting fixture in accordance with the new design;

FIG. 2 is a front elevational view thereof;

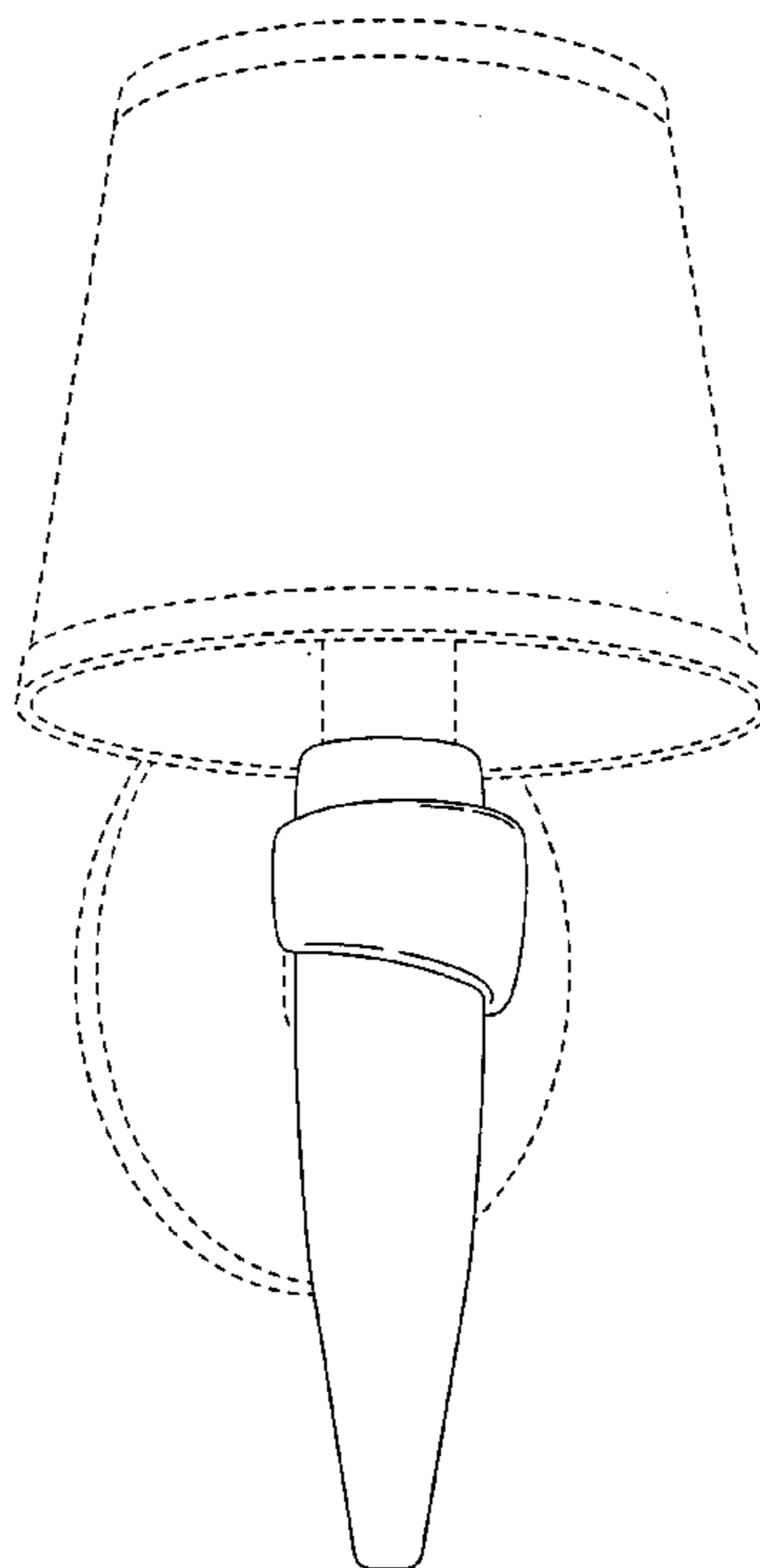
FIG. 3 is a left side elevational view thereof;

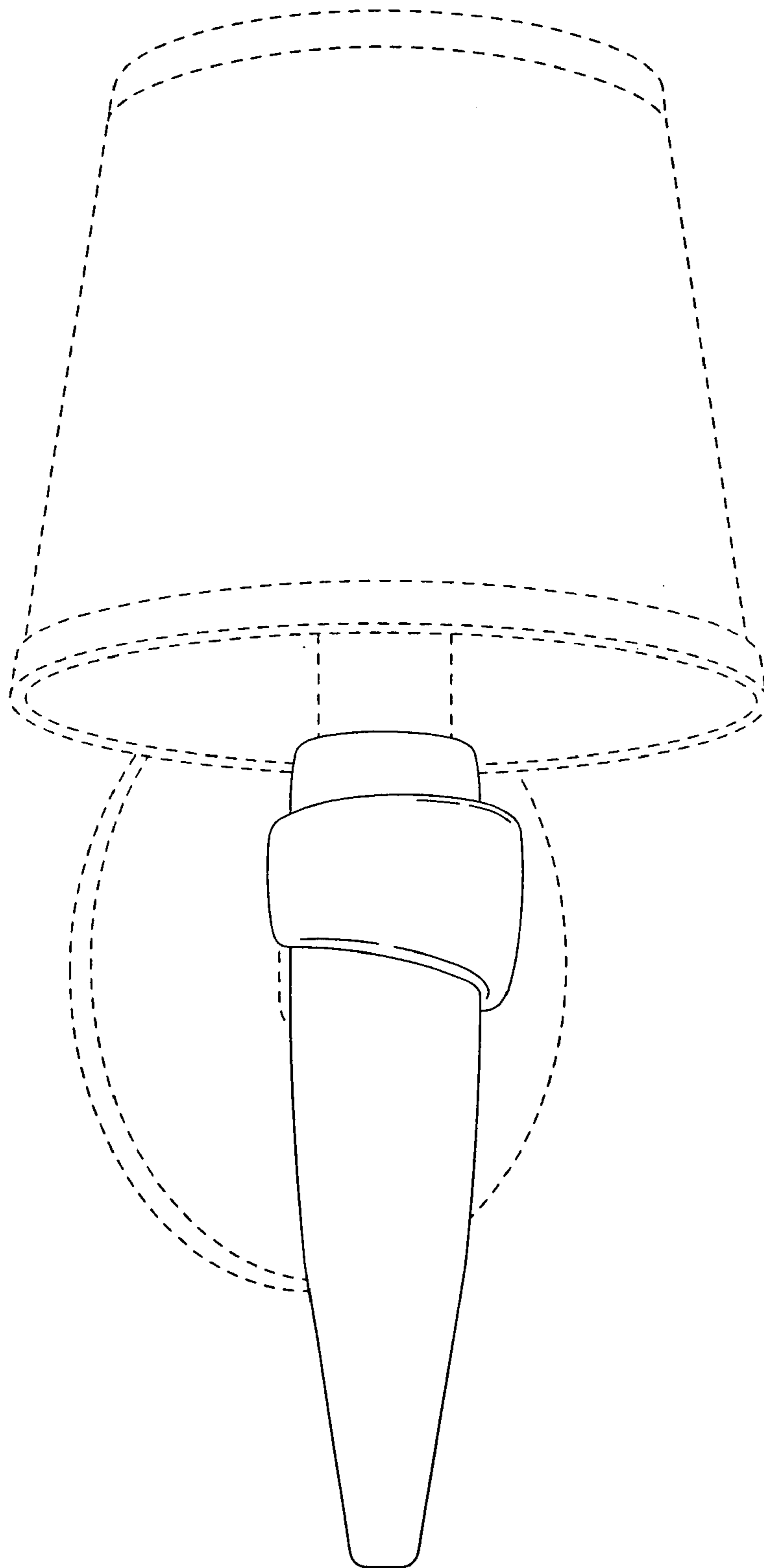
FIG. 4 is a right side elevational view thereof; and,

FIG. 5 is a bottom view thereof.

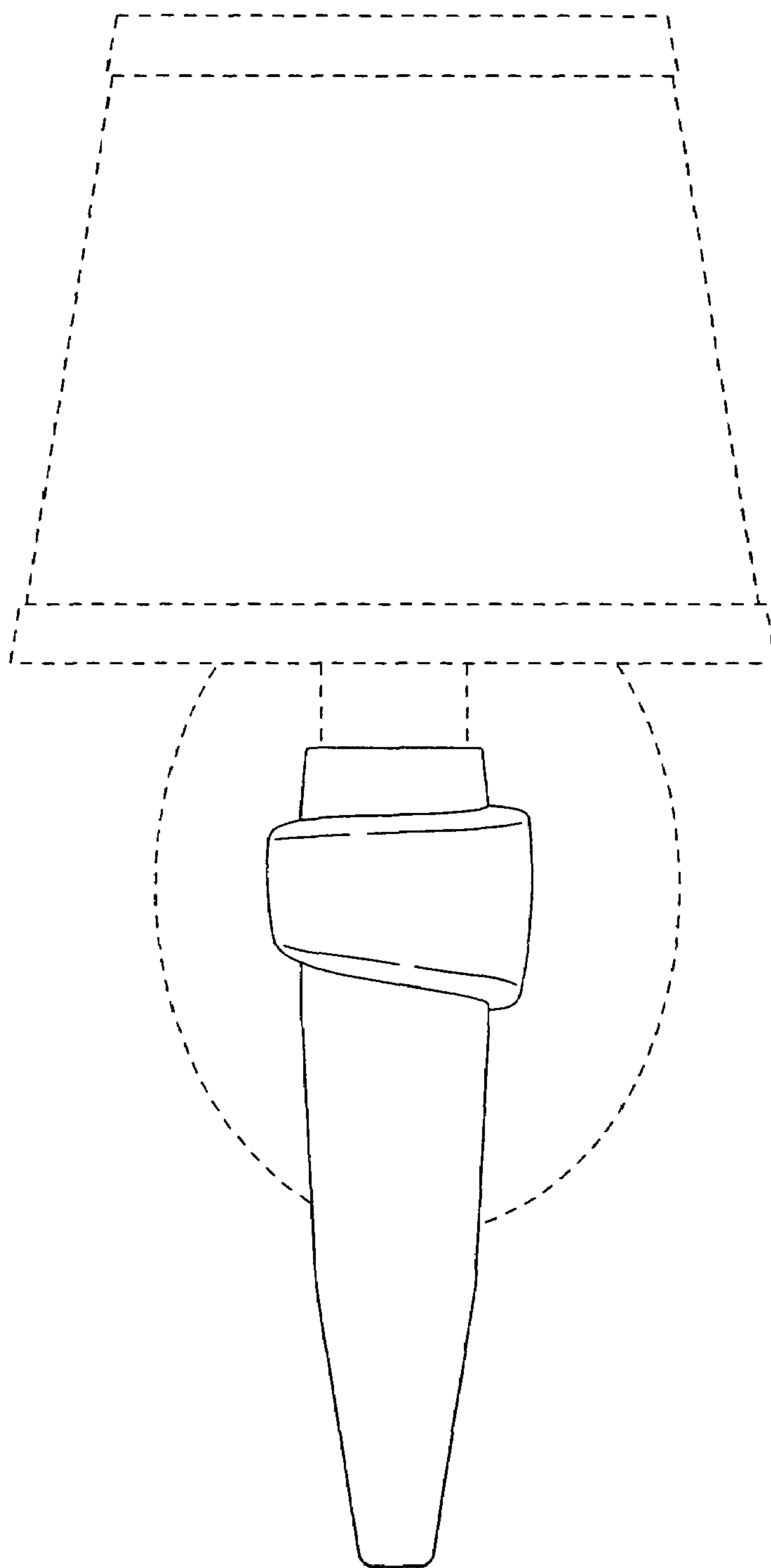
The broken lines in the figures are for illustration purposes only and form no part of the claimed invention.

**1 Claim, 5 Drawing Sheets**

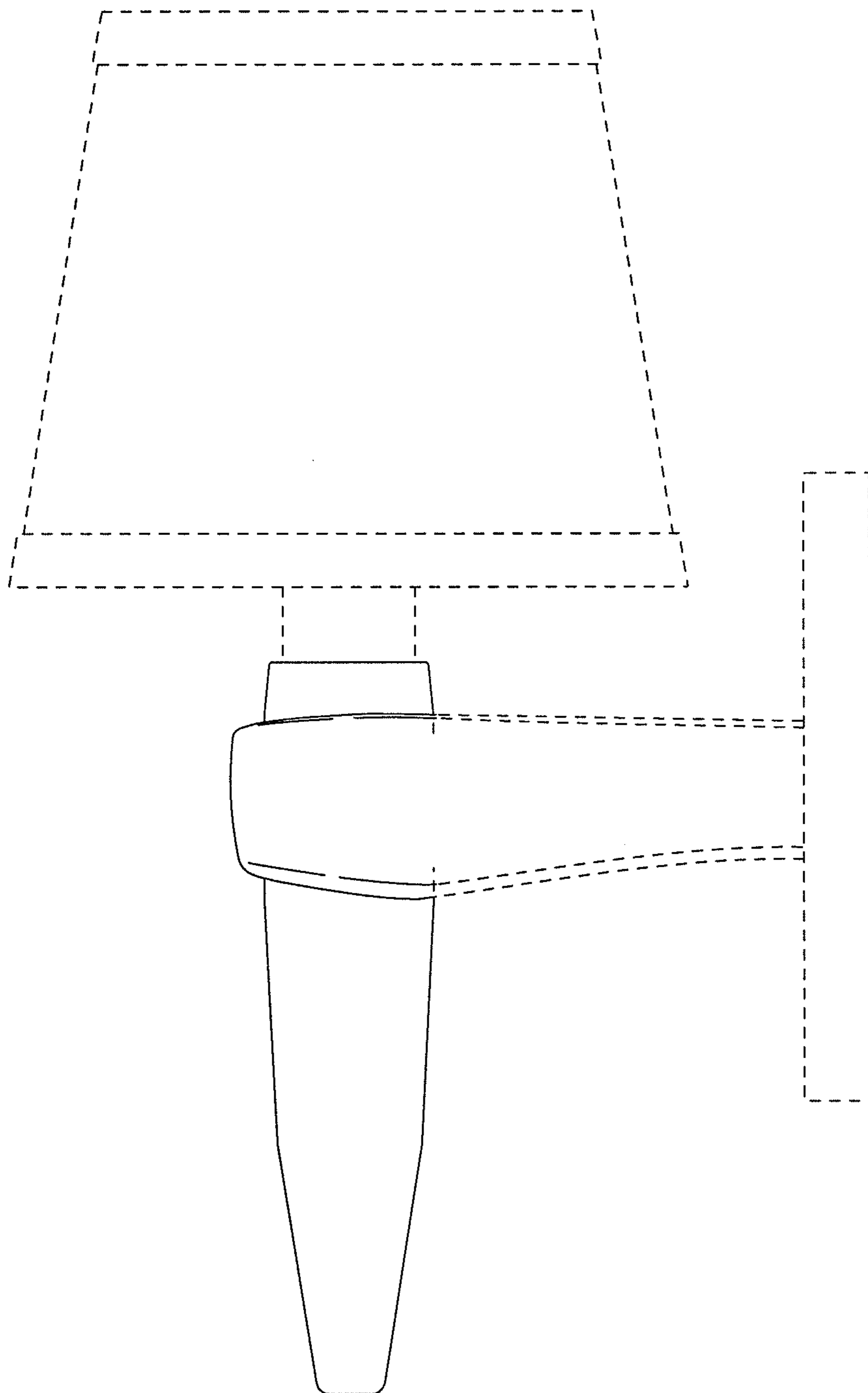




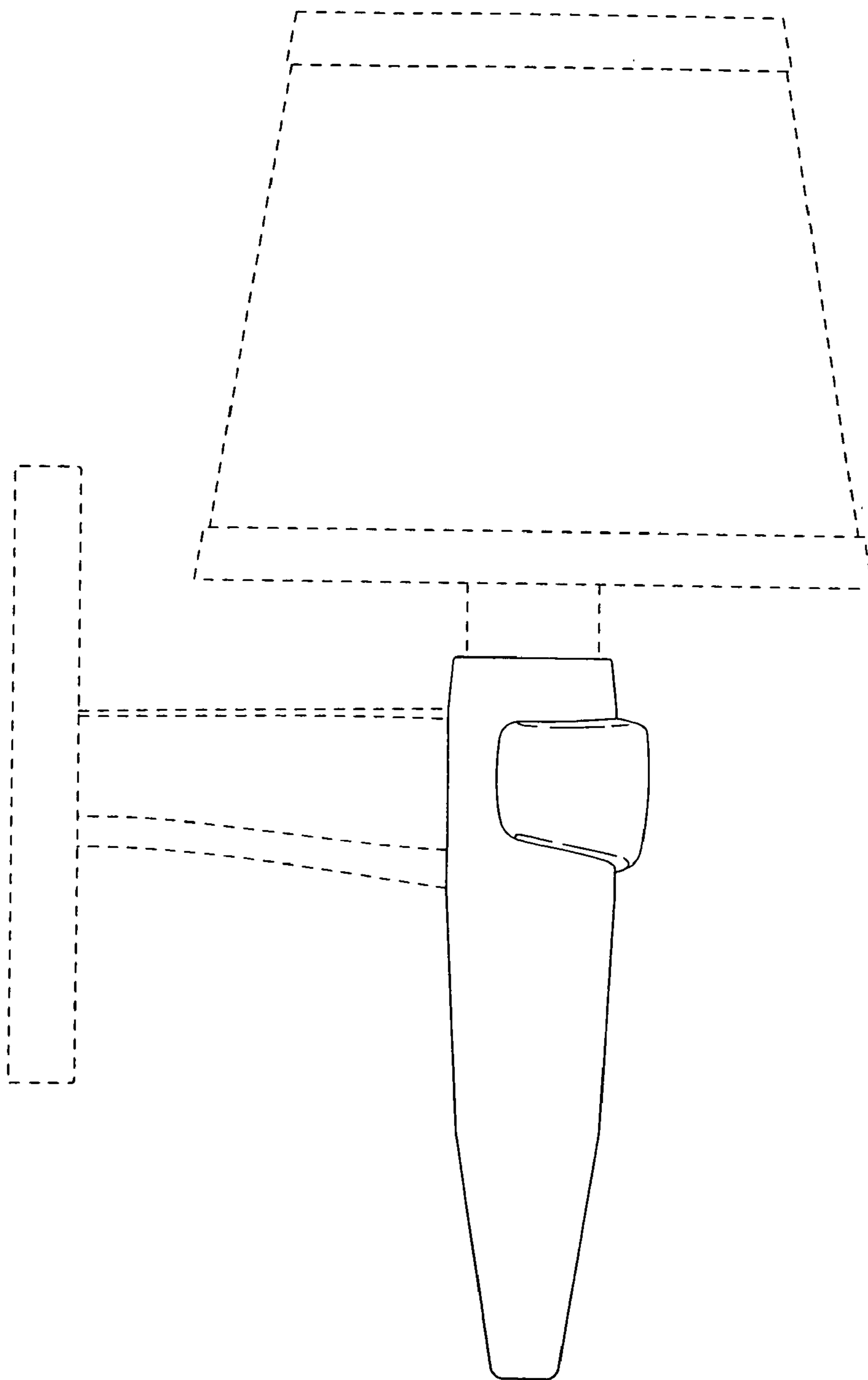
**FIG. 1**



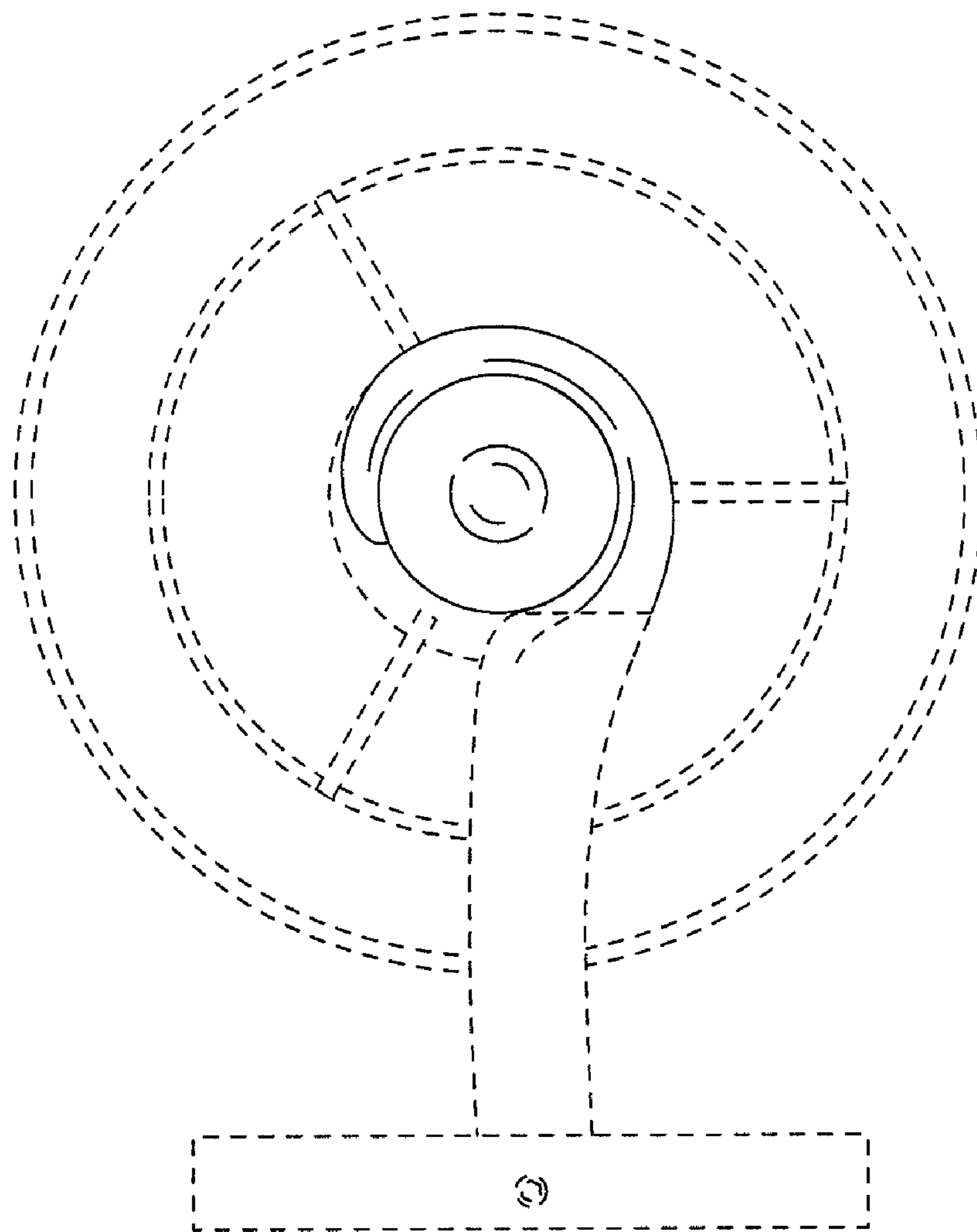
**FIG. 2**



**FIG. 3**



**FIG. 4**



**FIG. 5**