



US00D556371S

(12) **United States Design Patent**
Miranda

(10) **Patent No.:** **US D556,371 S**

(45) **Date of Patent:** **** Nov. 27, 2007**

(54) **LIGHTING FIXTURE**

(76) Inventor: **Pasquale Miranda**, 63-2nd St., Garden City, NY (US) 11530

(**) Term: **14 Years**

(21) Appl. No.: **29/270,406**

(22) Filed: **Dec. 21, 2006**

(51) **LOC (8) Cl.** **26-99**

(52) **U.S. Cl.** **D26/144**

(58) **Field of Classification Search** D26/142,
D26/154, 155, 141, 91, 90, 88, 86, 85, 84,
D26/81, 156, 153, 145, 144, 143; D23/411;
362/406, 405, 147, 403, 404, 408, 452, 453,
362/454

See application file for complete search history.

(56) **References Cited**

U.S. PATENT DOCUMENTS

D68,186 S *	9/1925	Wing	D26/144
D72,055 S *	2/1927	Aglow	D26/84
D76,630 S *	10/1928	Newland	D26/144
D302,479 S *	7/1989	Bohler	D26/81

D374,103 S *	9/1996	Schonbek	D26/81
D384,432 S *	9/1997	Octavio	D26/84
D408,095 S *	4/1999	Porter	D26/81
D431,310 S *	9/2000	Dolan	D26/84
D431,665 S *	10/2000	Hsieh	D26/85

* cited by examiner

Primary Examiner—Freda S. Nunn

Assistant Examiner—Kevin K Rudzinski

(57) **CLAIM**

The ornamental design for a lighting fixture, as shown and described.

DESCRIPTION

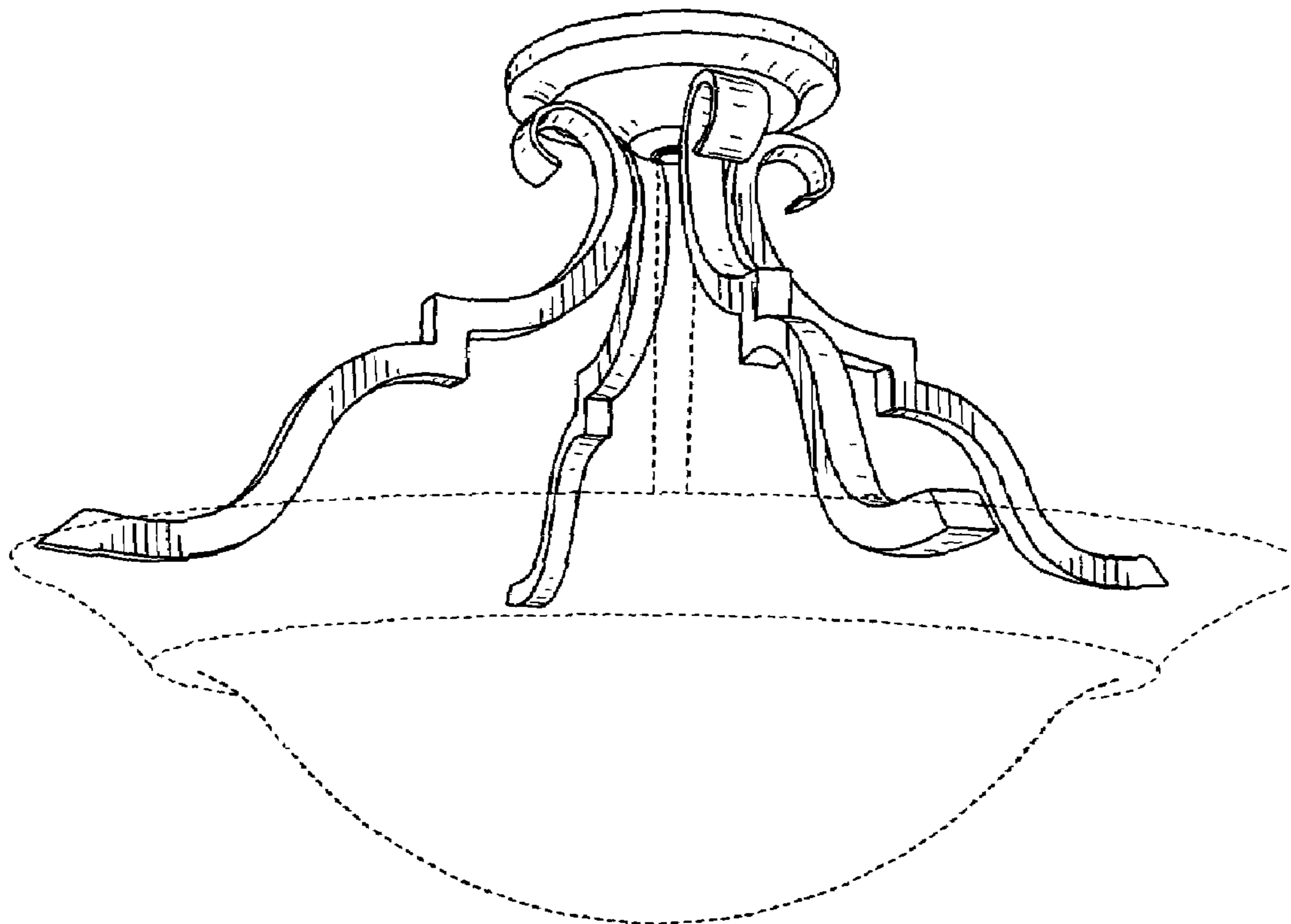
FIG. 1 is a perspective view for a lighting fixture, showing my new design;

FIG. 2 is a front elevational view thereof; and,

FIG. 3 is a bottom plan view thereof.

The broken line showing of environmental structures in FIGS. 1–3 is for illustrative puposes only and forms no part of the claimed design.

1 Claim, 3 Drawing Sheets



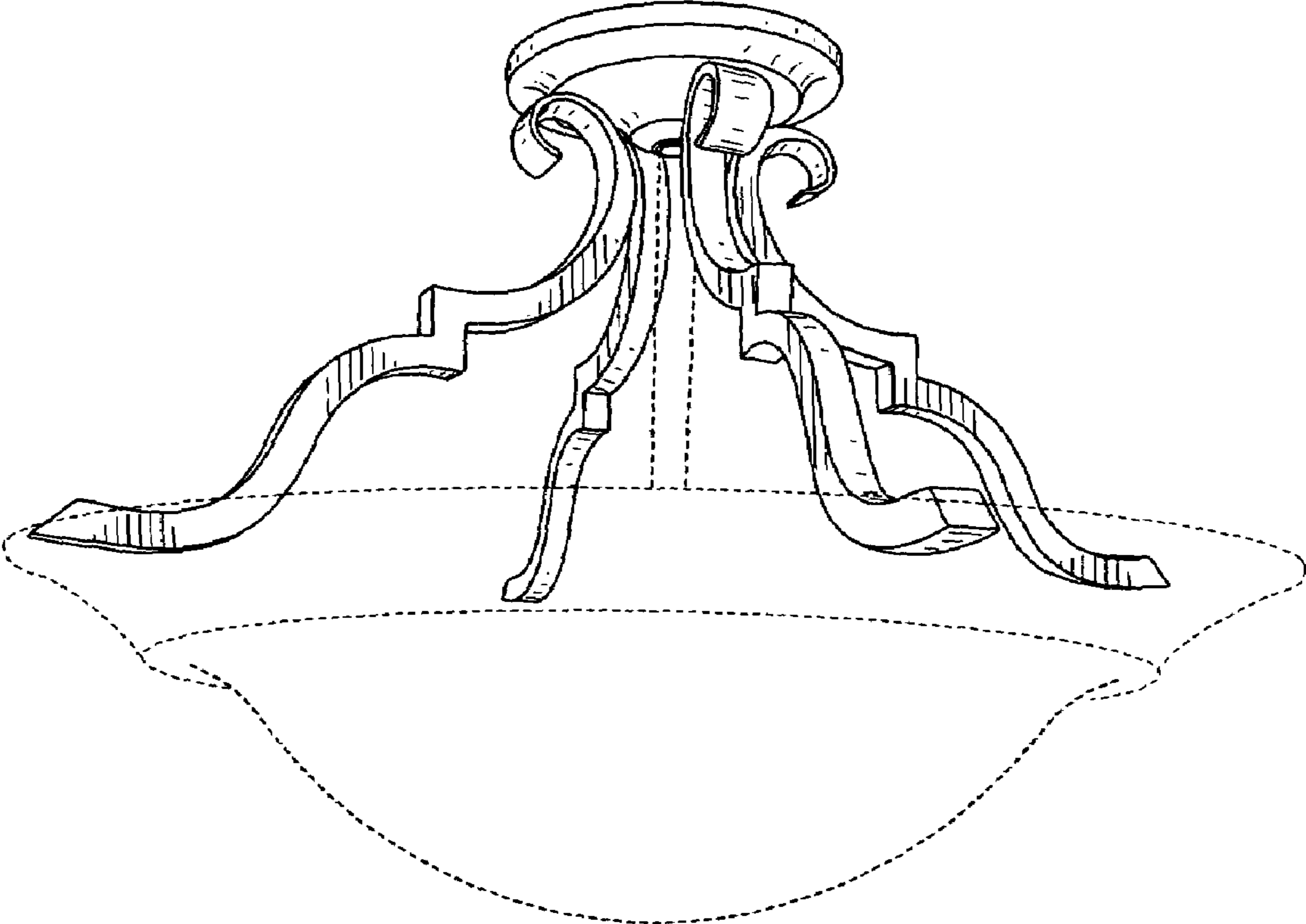


FIG. 1

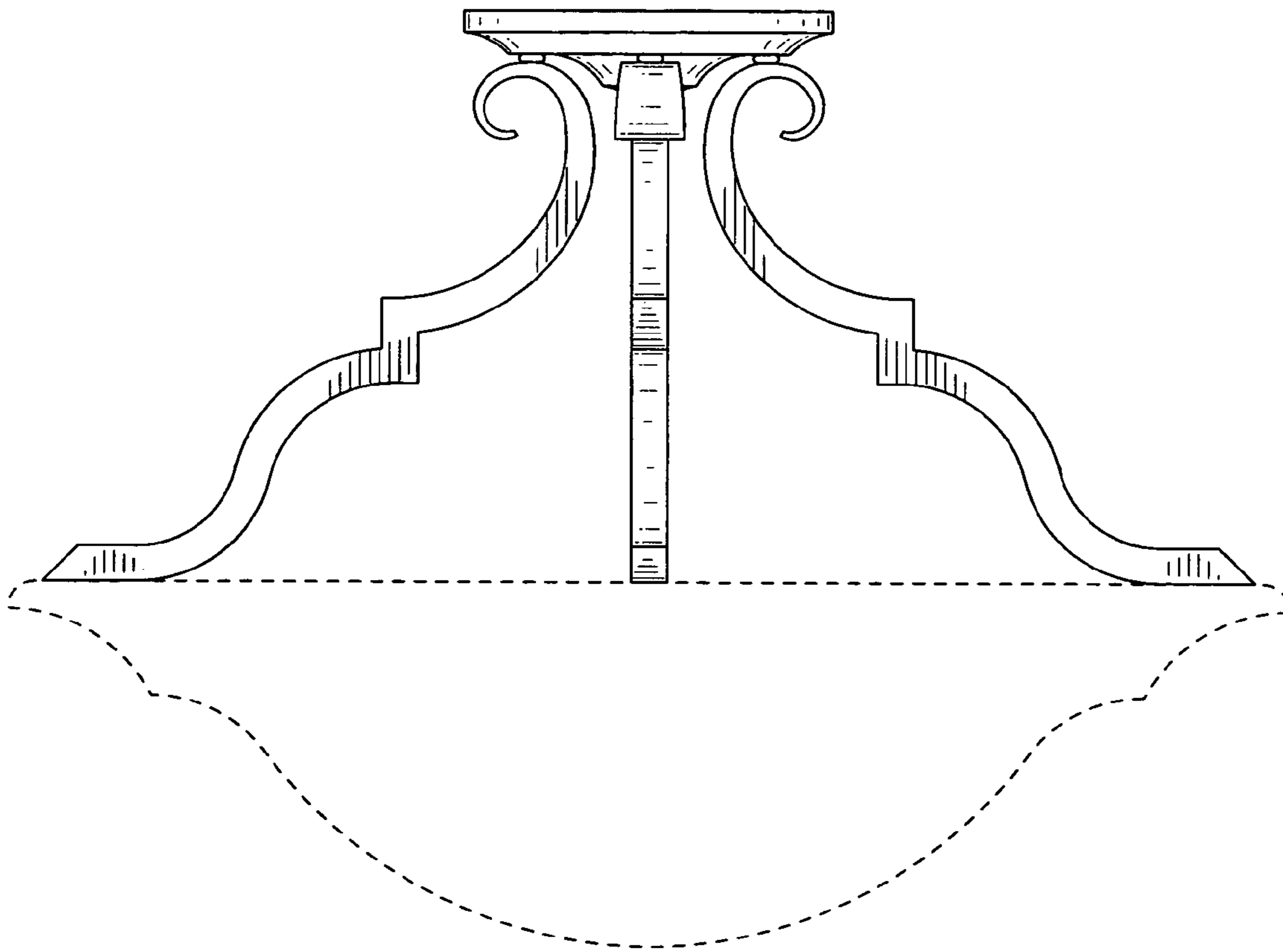


FIG. 2

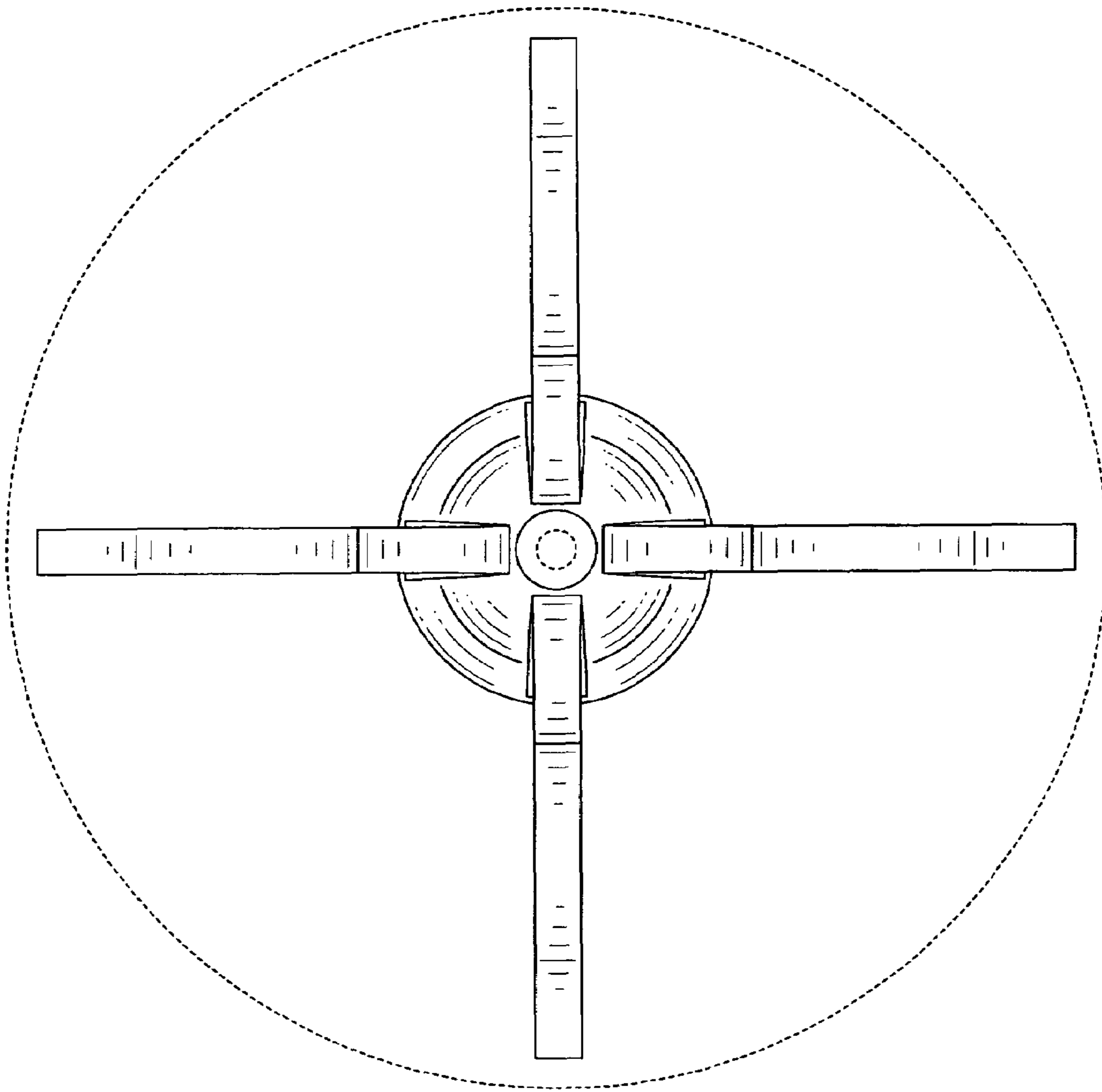


FIG. 3