



US00D556369S

(12) **United States Design Patent** (10) **Patent No.:** **US D556,369 S**
Barry (45) **Date of Patent:** **** Nov. 27, 2007**

(54) **FIXTURE ELEMENT**

(75) Inventor: **Barbara Barry**, Los Angeles, CA (US)

(73) Assignee: **Kohler Co.**, Kohler, WI (US)

(**) Term: **14 Years**

(21) Appl. No.: **29/258,350**

(22) Filed: **Apr. 20, 2006**

(51) **LOC (8) Cl.** **26-99**

(52) **U.S. Cl.** **D26/142**

(58) **Field of Classification Search** D26/155,
D26/138, 145, 142, 87, 92, 63, 80, 84, 152,
D26/61, 64, 72, 113, 140, 141, 143, 147,
D26/153; 362/427, 405, 147, 151, 269, 277,
362/285, 319, 368, 369, 371; 403/164
See application file for complete search history.

(56) **References Cited**

U.S. PATENT DOCUMENTS

D48,158 S *	11/1915	Morrell	D26/92
D61,788 S *	1/1923	Meier	D26/145
D68,846 S *	11/1925	Bohl	D26/92
D71,304 S *	10/1926	Schweiker	D26/92
D265,457 S *	7/1982	Littlefield	D8/351
D313,668 S *	1/1991	Porter	D26/87
D341,440 S *	11/1993	Hsu	D26/87
D362,173 S *	9/1995	Skitromo	D8/350
D388,219 S *	12/1997	Hsu	D26/87
D436,420 S *	1/2001	Hidalgo	D26/142
D451,622 S *	12/2001	Jones et al.	D26/87
D452,341 S *	12/2001	Jones et al.	D26/87
D465,871 S *	11/2002	Hoernig	D26/87
D487,530 S *	3/2004	Hsu	D26/92
D495,086 S *	8/2004	Burkart et al.	D26/113

OTHER PUBLICATIONS

Forcast Lighting (division of Lightolier). "Sconce", Model No. F1554-36.

Kallista. "Laura Kirar Vir Stil Sconce". Model No. P34020-00. Kallista online catalog, copyright 2005.

Dolan Designs "Sconce", Model No. DOL-491-26. www.lamps-lighting.com online catalog.

Restoration Hardware, Inc. "Chatham Single Sconce". Restoration Hardware, Inc. online catalog, copyright 2006.

Harden-Fisher. "Series 78" Expressions by Harden Fisher online catalog, copyright Sep. 2002.

Kohler Co., "Memoirs Rite-Temp pressure-balancing valve trim with Stately design", Model No. K-T463-4S. Kohler Co., online catalog, copyright 2005.

* cited by examiner

Primary Examiner—Freda S. Nunn

Assistant Examiner—Kevin K. Rudzinski

(74) *Attorney, Agent, or Firm*—Quarles & Brady LLP

(57) **CLAIM**

The ornamental design for a fixture element, as shown and described.

DESCRIPTION

In a preferred embodiment, the nature of this product is a fixture element in the form of a light wall sconce.

FIG. 1 is a left, bottom, front perspective view of a fixture element according to my new design;

FIG. 2 is a front elevational view thereof;

FIG. 3 is a right side elevational view thereof, the left side elevational view thereof being a mirror image of the right side shown;

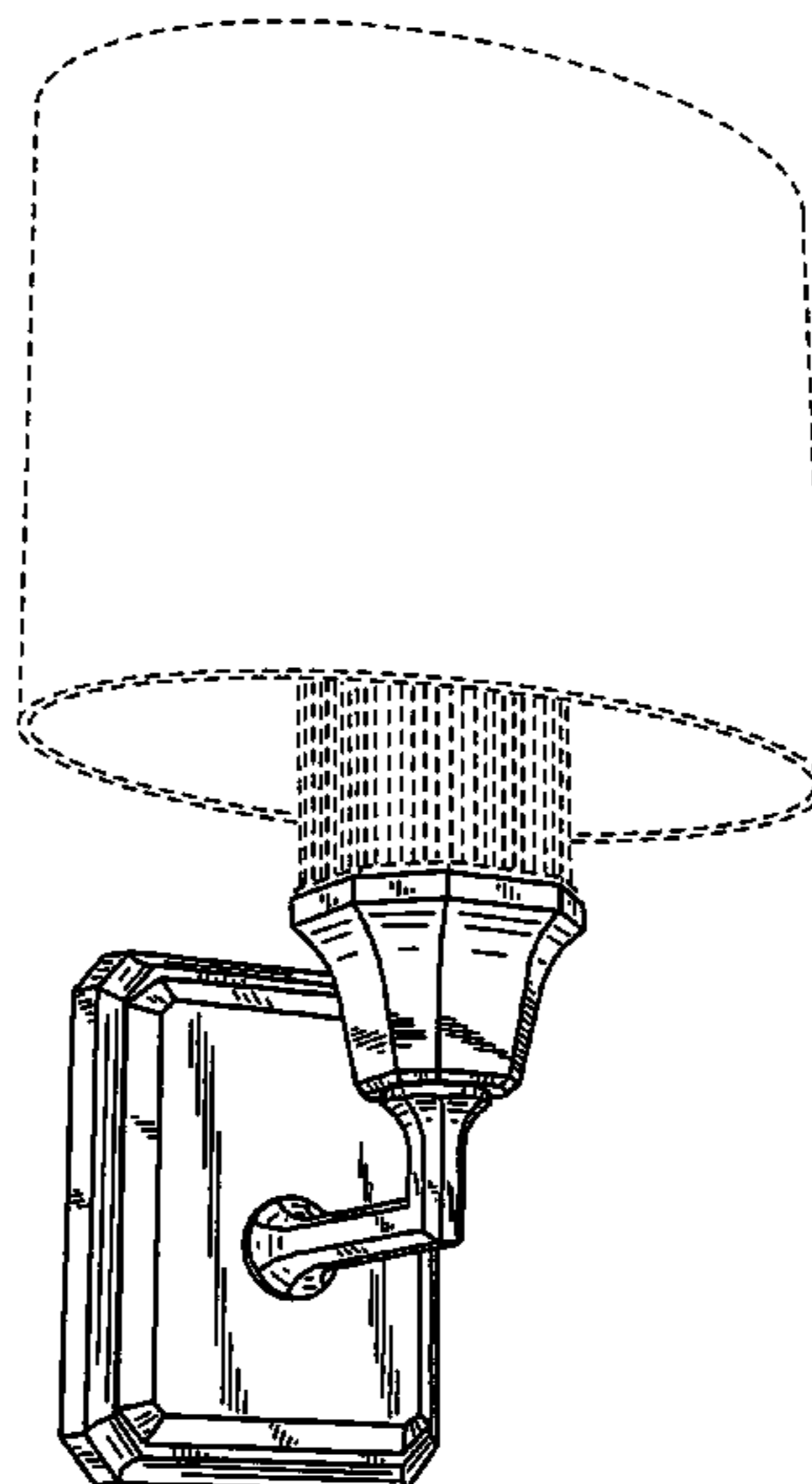
FIG. 4 is a top plan view thereof;

FIG. 5 is a bottom plan view thereof; and,

FIG. 6 is a rear elevational view thereof.

The broken line representations of shade environment in the figures, light environment in FIGS. 1, 4 and 6, and of an opening in FIG. 6, are for the purpose of illustration only, and form no part of the claimed design.

1 Claim, 4 Drawing Sheets



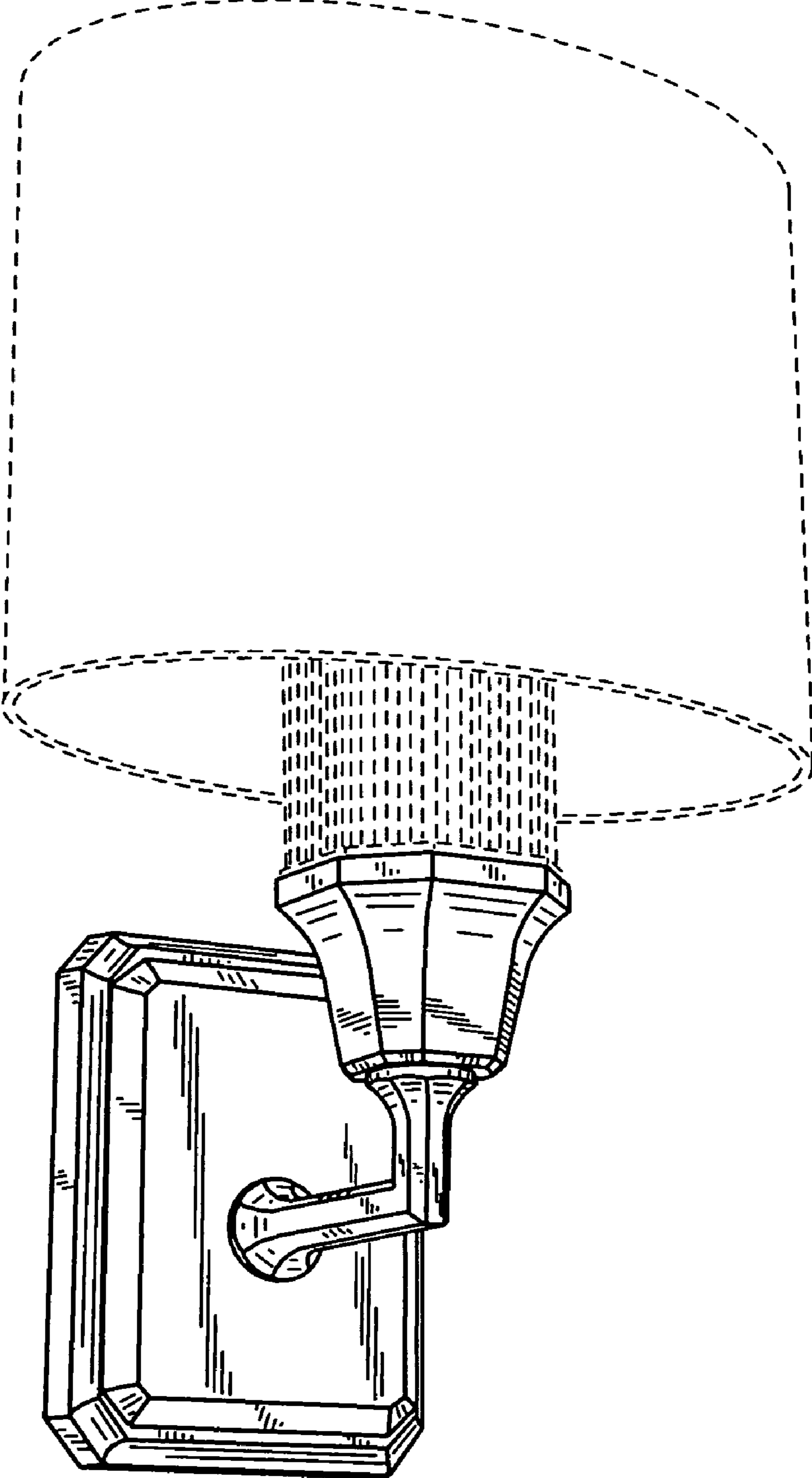
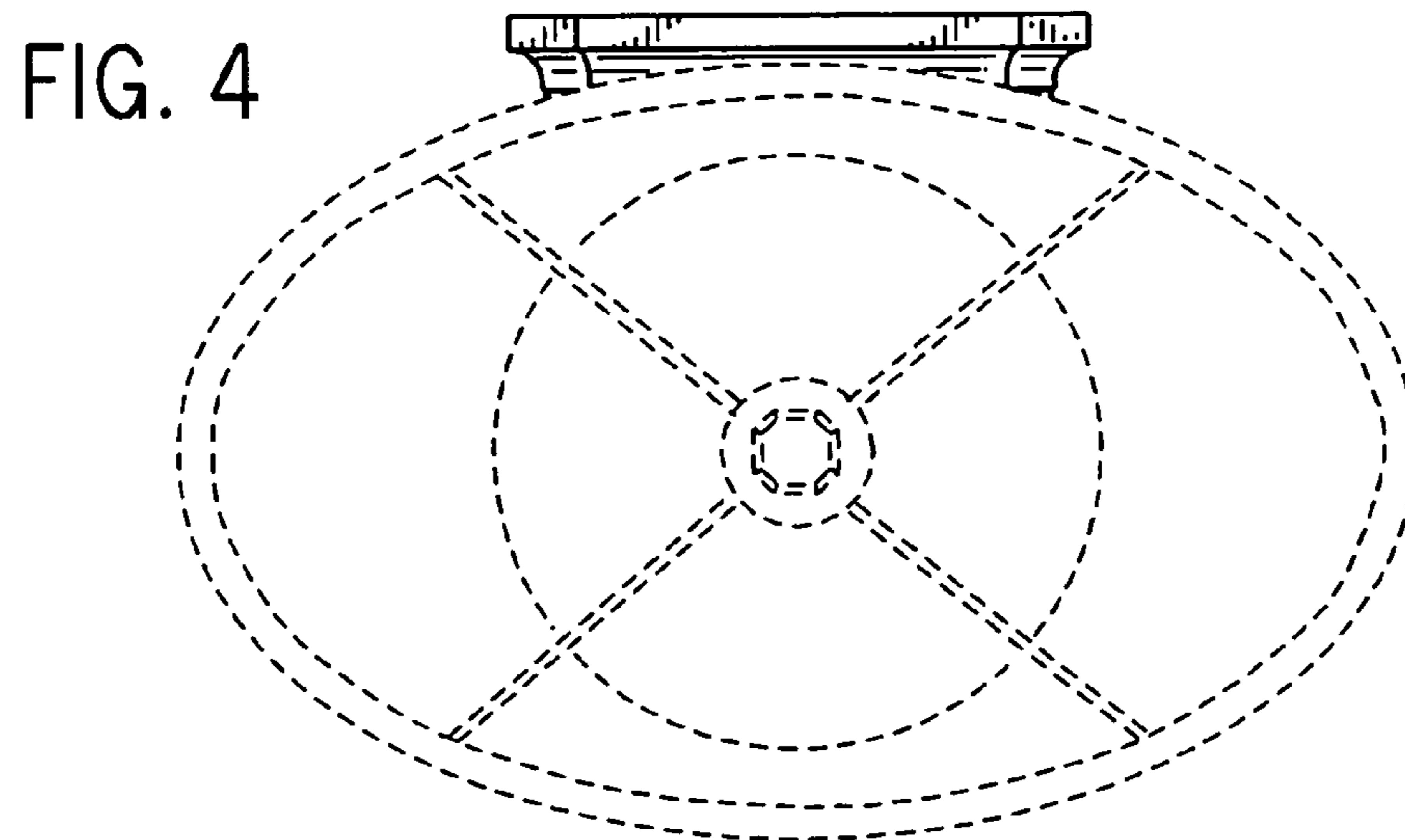
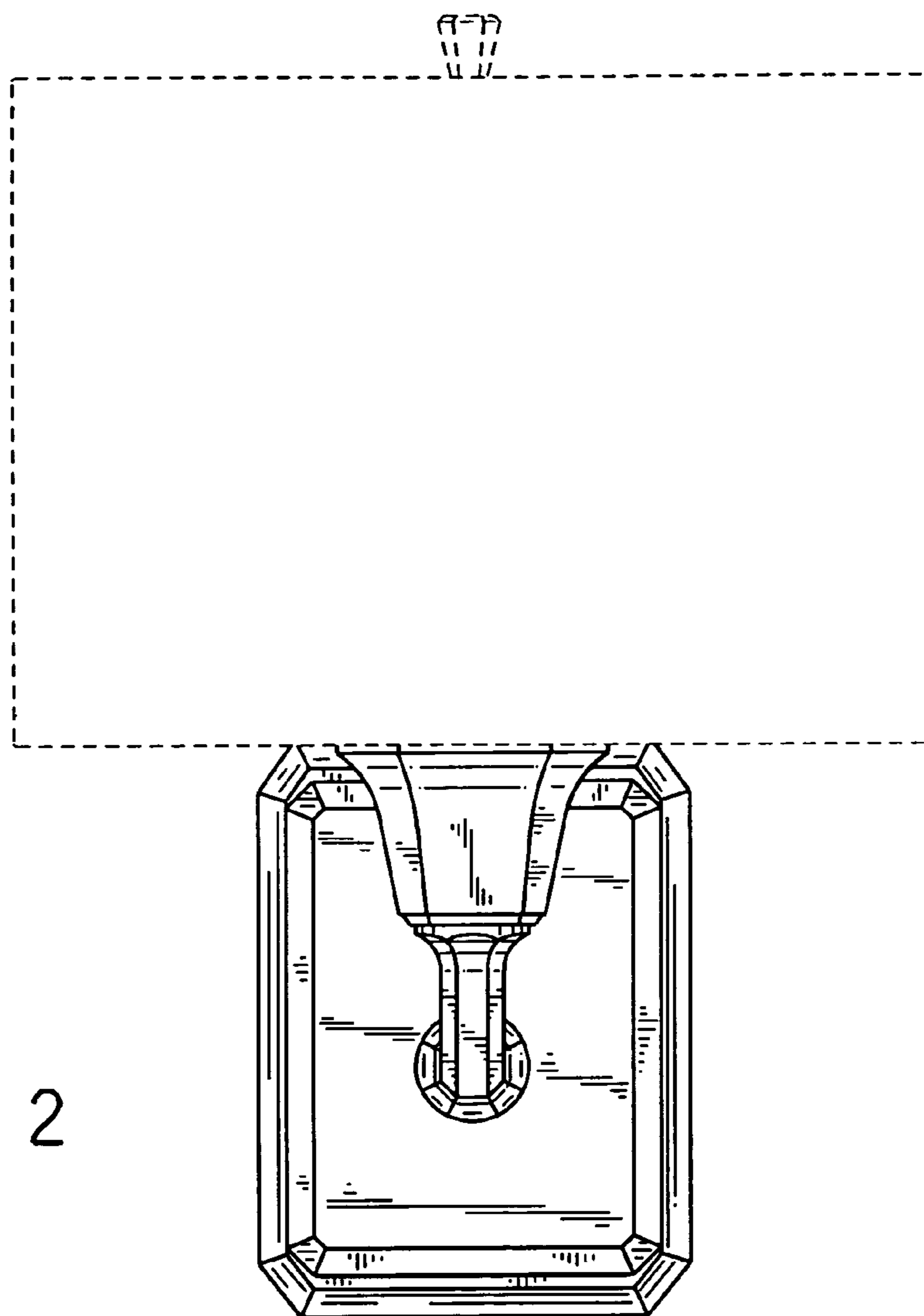


FIG. 1



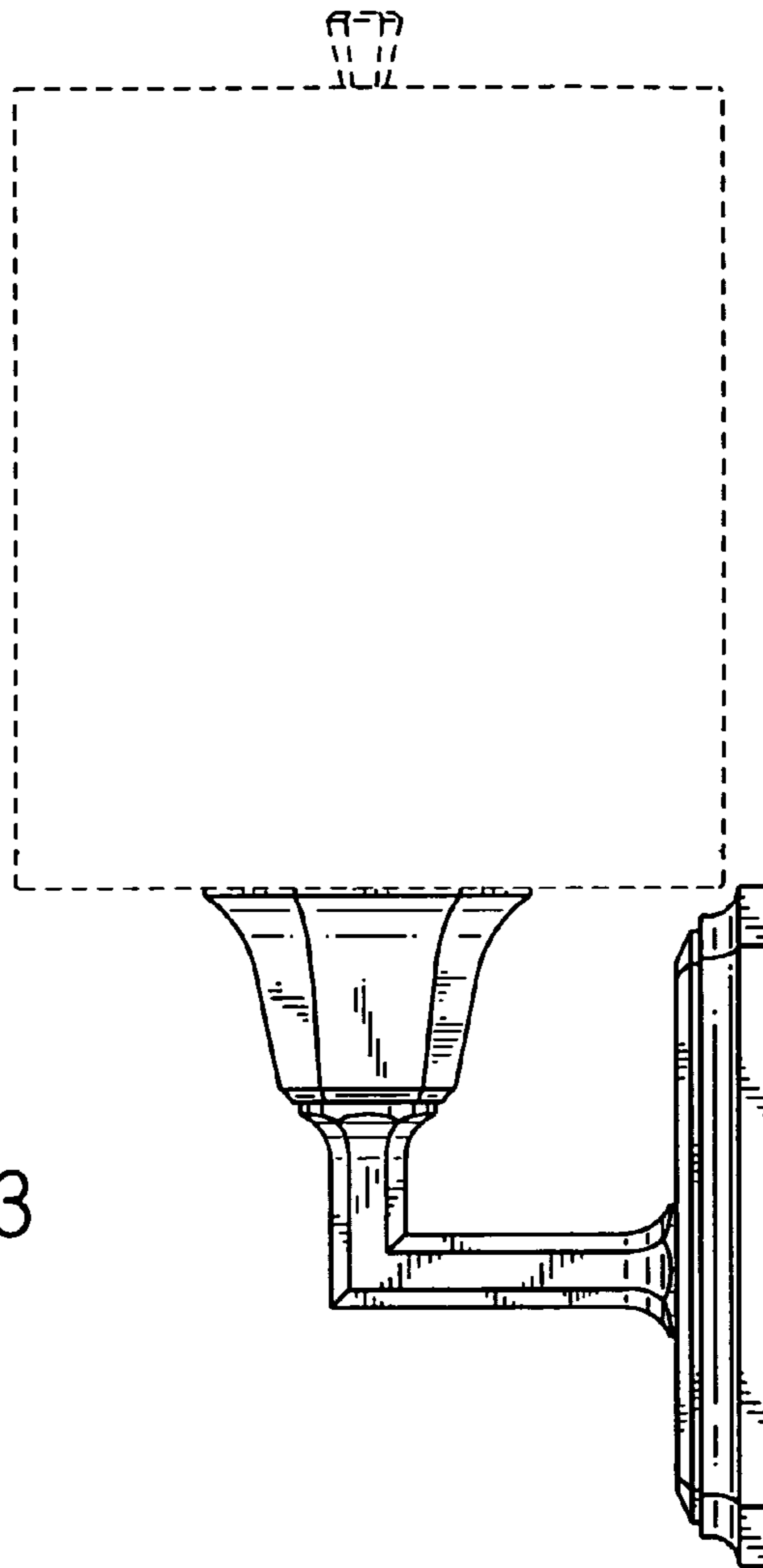
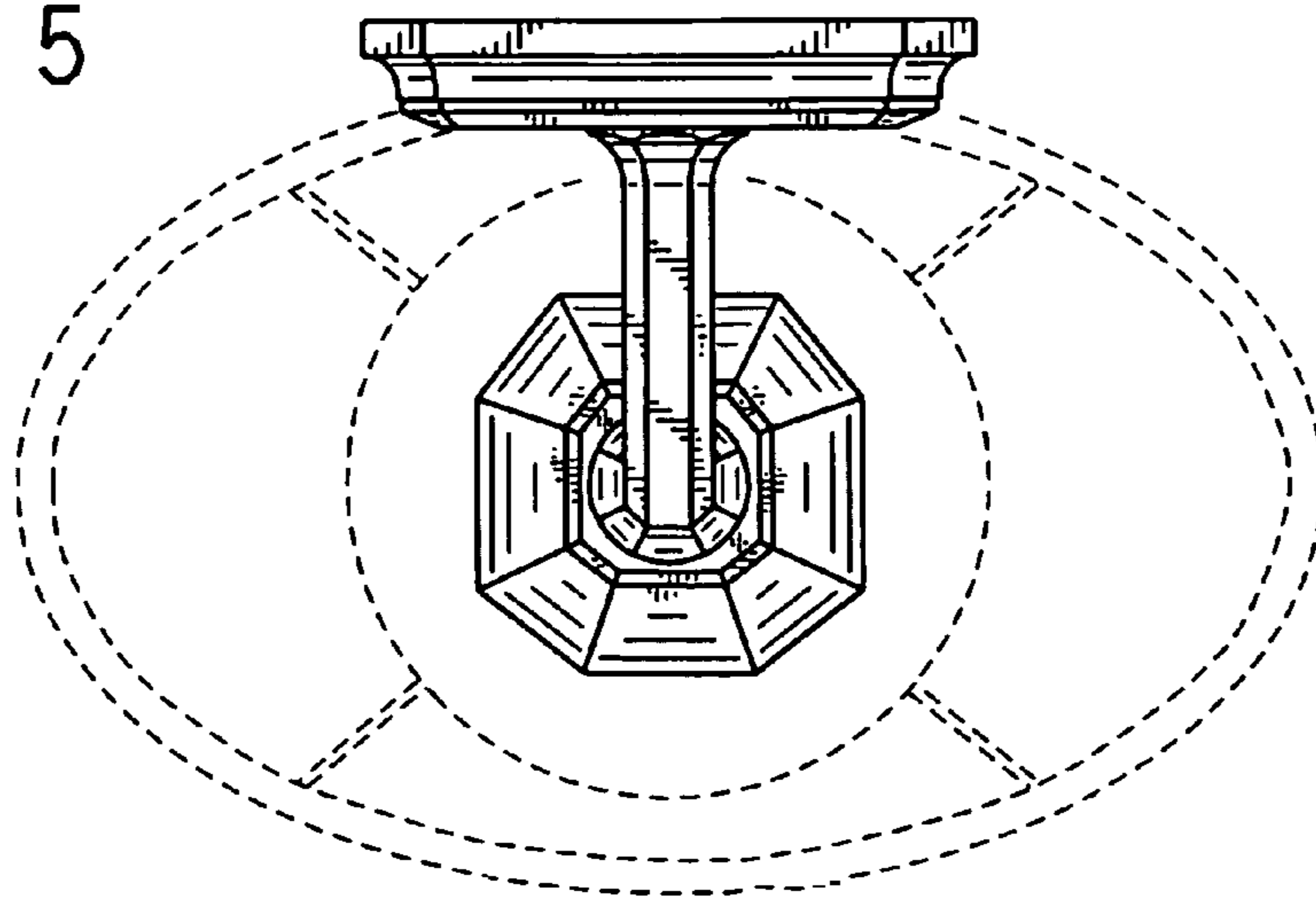


FIG. 3

FIG. 5



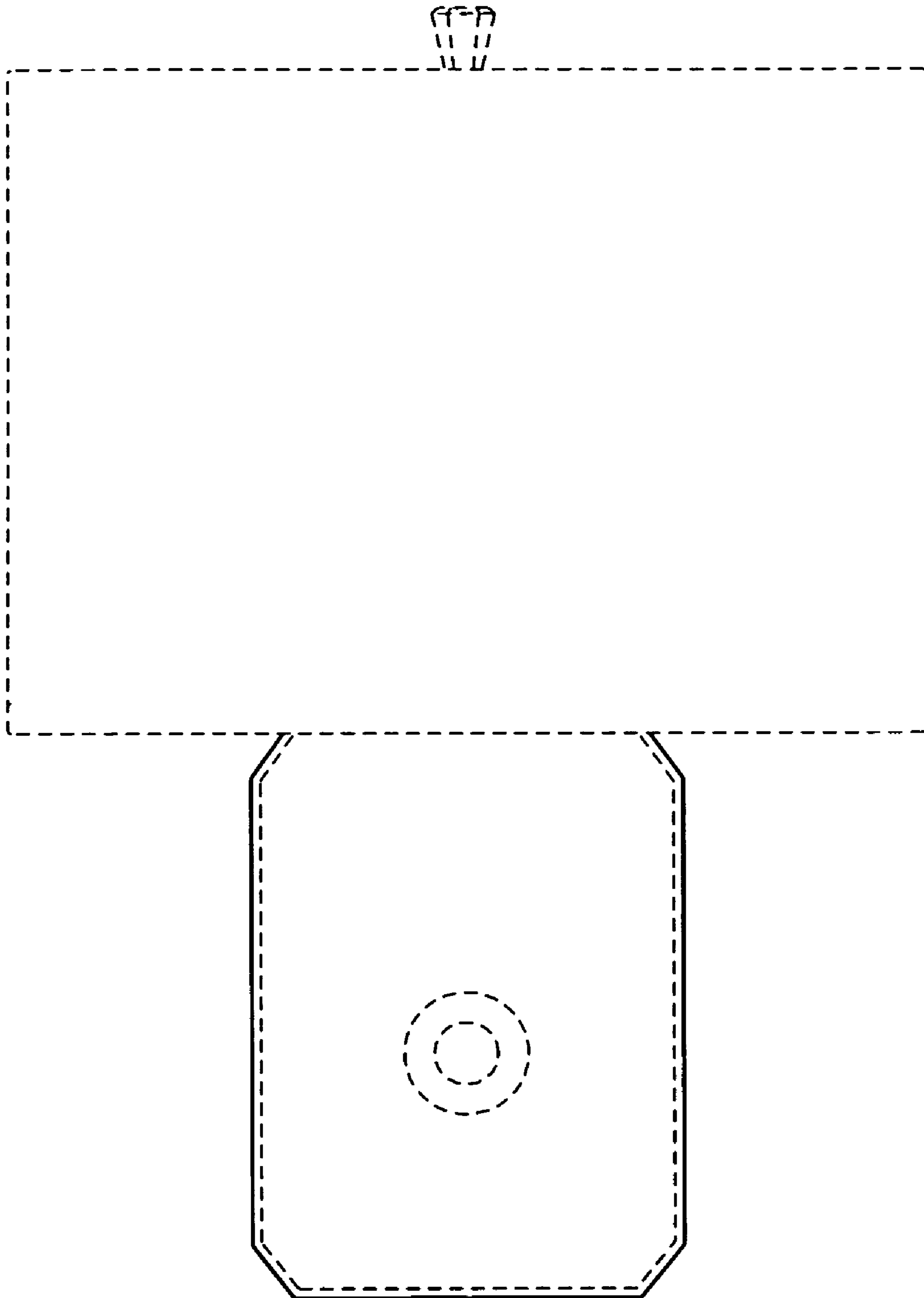


FIG. 6