



US00D556368S

(12) **United States Design Patent**
Kohler, Jr. et al.

(10) **Patent No.:** **US D556,368 S**

(45) **Date of Patent:** **** Nov. 27, 2007**

(54) **FIXTURE ELEMENT**

(75) Inventors: **Herbert V. Kohler, Jr.**, Kohler, WI (US); **Howard M. Montgomery**, Sheboygan, WI (US)

(73) Assignee: **Kohler Co.**, Kohler, WI (US)

(**) Term: **14 Years**

(21) Appl. No.: **29/256,687**

(22) Filed: **Mar. 23, 2006**

(51) **LOC (8) Cl.** **26-99**

(52) **U.S. Cl.** **D26/142**

(58) **Field of Classification Search** D26/155, D26/138, 145, 142, 87, 92, 63, 80, 84, 152, D26/61, 64, 72, 113, 140, 141, 143, 147, D26/153; 362/427, 405, 147, 151, 269, 277, 362/285, 319, 368, 369, 371; 403/164
See application file for complete search history.

(56) **References Cited**

U.S. PATENT DOCUMENTS

- D48,158 S * 11/1915 Morrell D26/92
- D48,278 S 12/1915 Guth
- D61,788 S * 1/1923 Meier D26/145
- D68,846 S * 11/1925 Bohl D26/92
- D71,304 S * 10/1926 Schweiker D26/92
- D265,457 S * 7/1982 Littlefield D8/351
- D313,668 S * 1/1991 Porter D26/87
- D341,440 S * 11/1993 Hsu D26/87
- D362,173 S * 9/1995 Skitromo D8/350
- D436,420 S * 1/2001 Hidalgo D26/142
- D451,622 S * 12/2001 Jones et al. D26/87
- D452,341 S * 12/2001 Jones et al. D26/87
- D473,003 S 4/2003 Hoernig
- D473,005 S 4/2003 Hoernig

- D487,530 S * 3/2004 Hsu D26/92
- D488,579 S 4/2004 Painter et al.
- D495,086 S * 8/2004 Burkart et al. D26/113

OTHER PUBLICATIONS

World Imports. Lamp. Item No. WOR-7821-02.
Hinkley Lighting. Lamp. Item No. HIN-5340AN.

* cited by examiner

Primary Examiner—Freda S. Nunn

Assistant Examiner—Kevin K. Rudzinski

(74) *Attorney, Agent, or Firm*—Quarles & Brady LLP

(57) **CLAIM**

The ornamental design for a fixture element, as shown and described.

DESCRIPTION

In a preferred embodiment, the nature of this product is a fixture element in the form of a light wall sconce.

FIG. 1 is a right, top, front perspective view of a fixture element according to my new design;

FIG. 2 is a front elevational view thereof;

FIG. 3 is a right side elevational view thereof, the left side elevational view thereof being a mirror image of the right side shown;

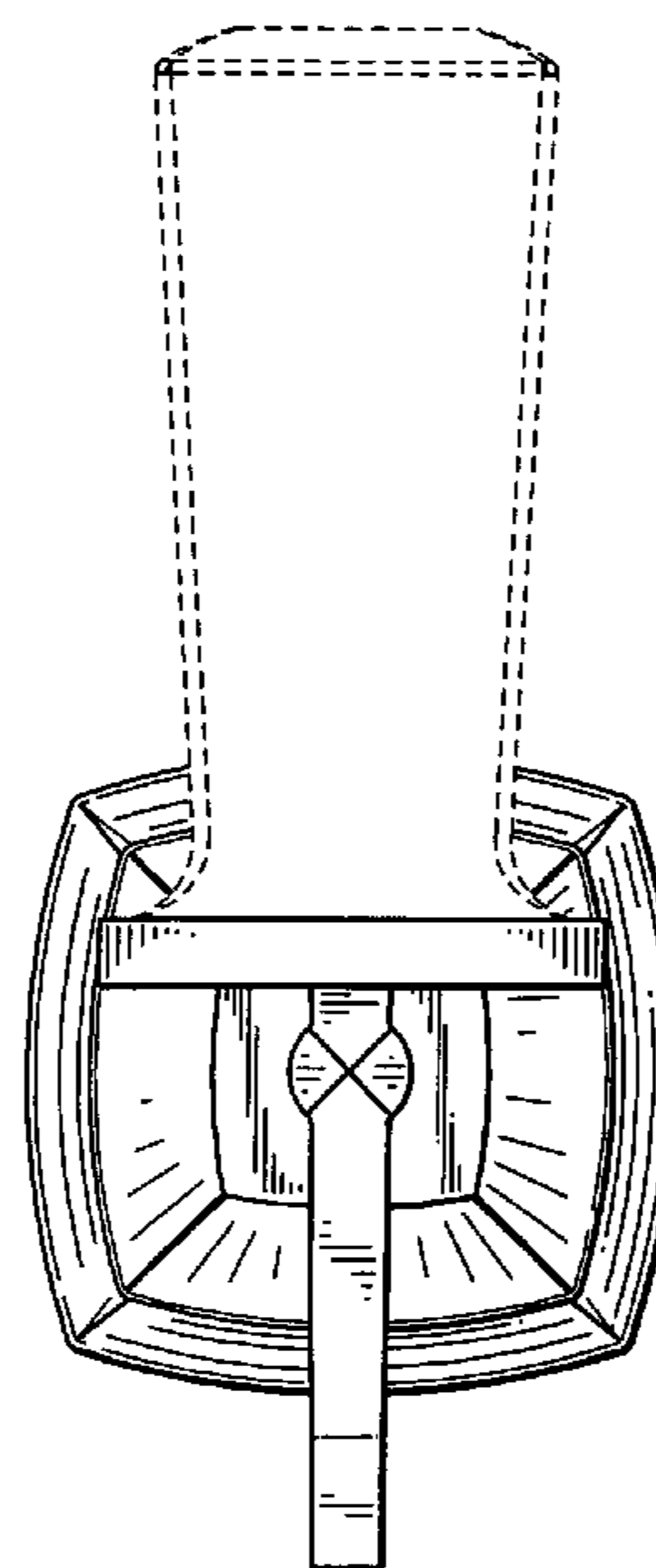
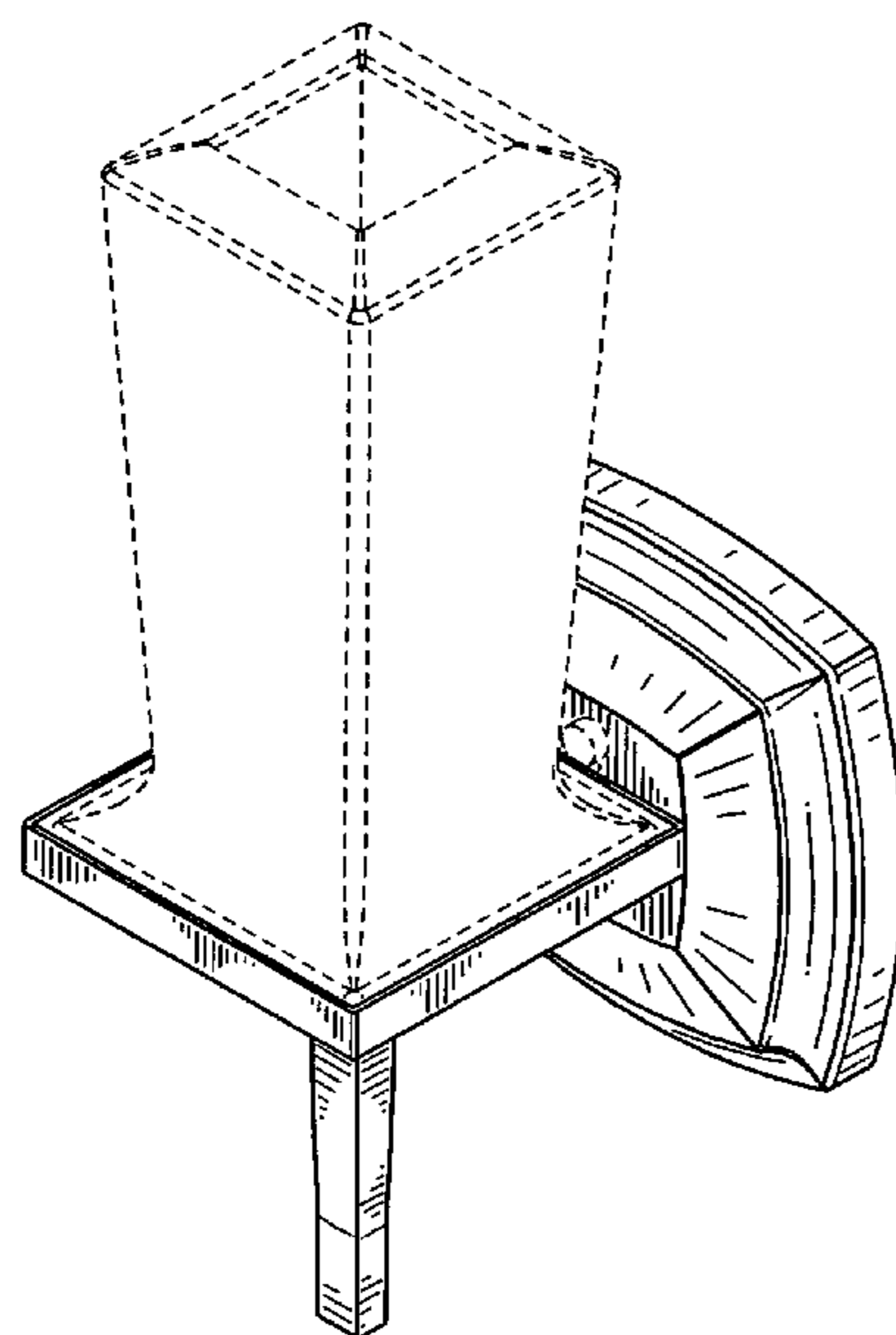
FIG. 4 is a top plan view thereof;

FIG. 5 is a bottom plan view thereof; and,

FIG. 6 is a rear elevational view thereof.

The broken line representations of shade environment in FIGS. 1–4 and 6, fastener structure in FIGS. 1 and 3–5, and an opening in FIG. 6 are for the purpose of illustration only, and form no part of the claimed design.

1 Claim, 4 Drawing Sheets



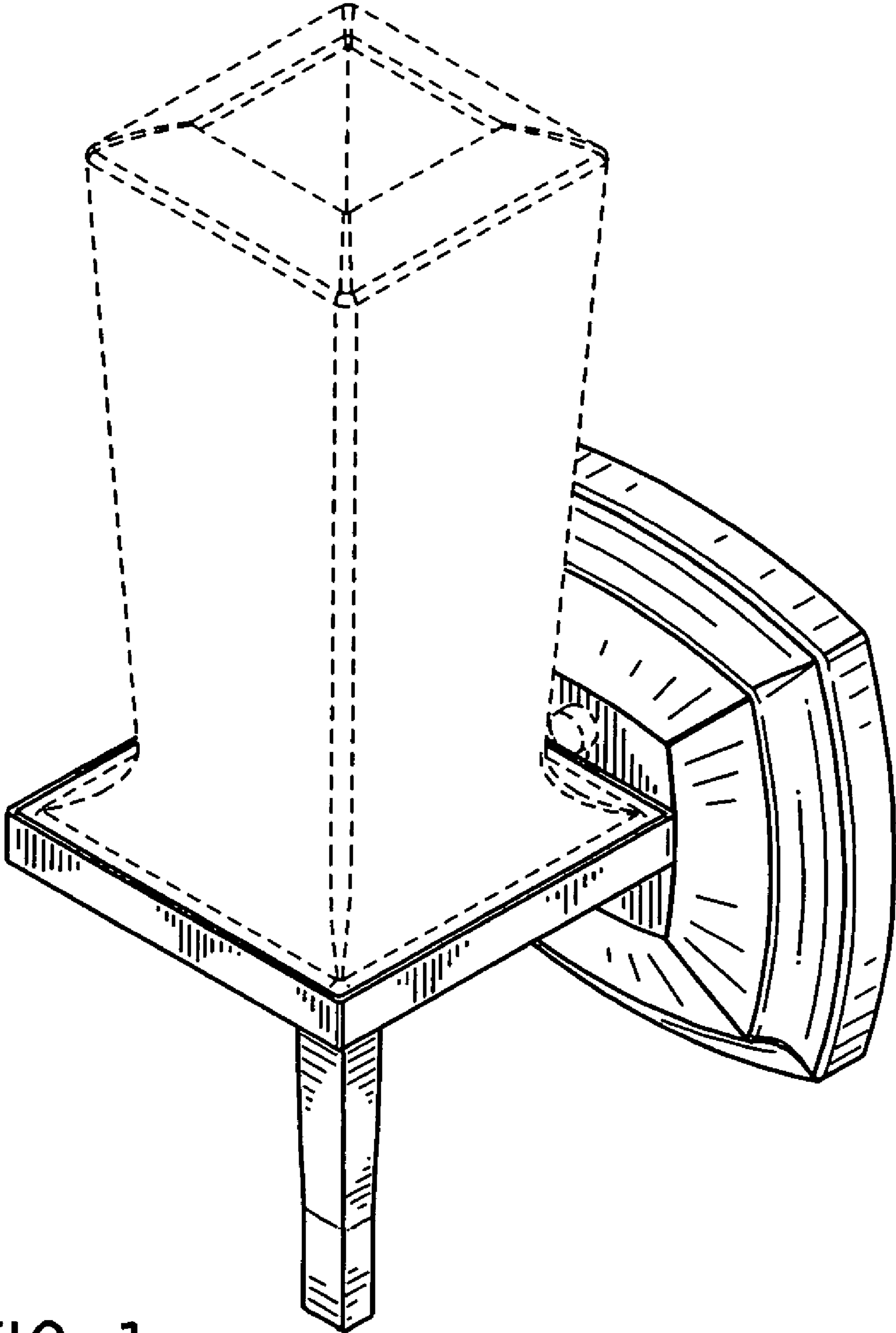


FIG. 1

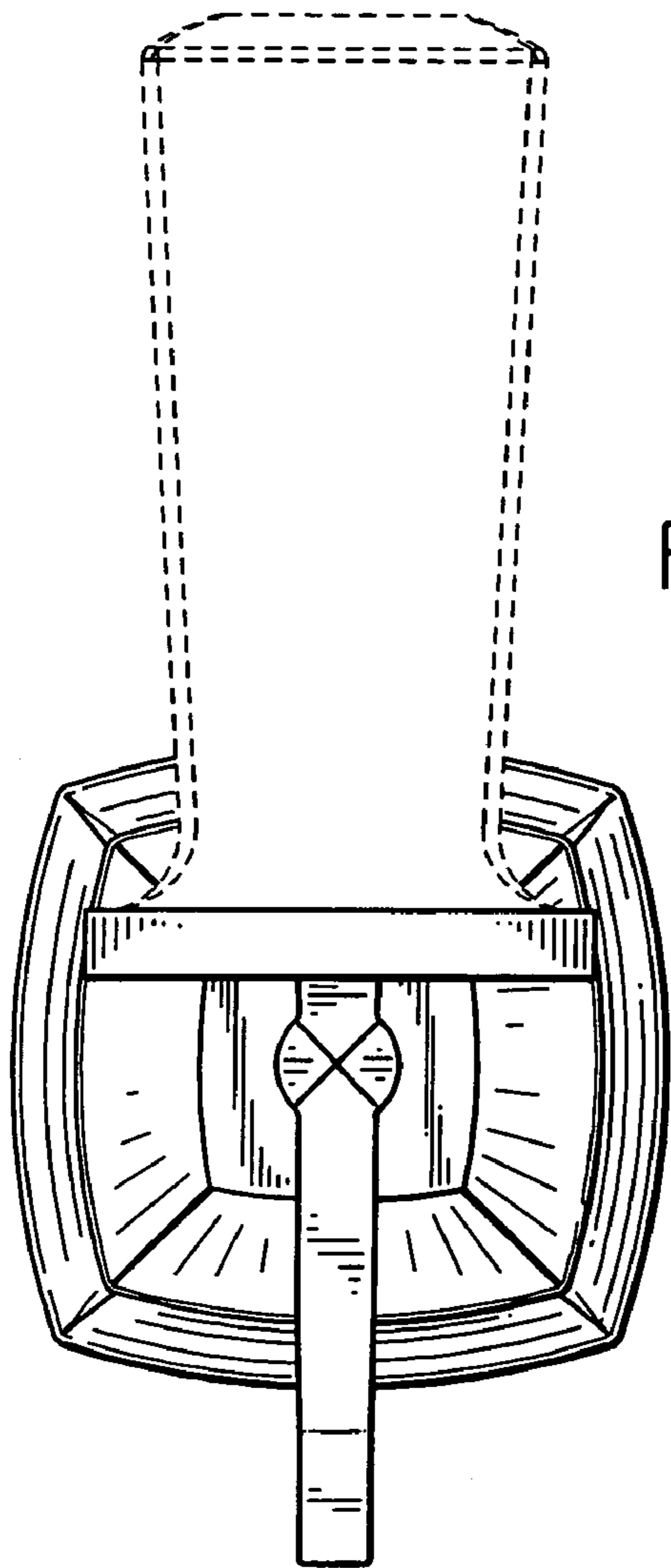


FIG. 2

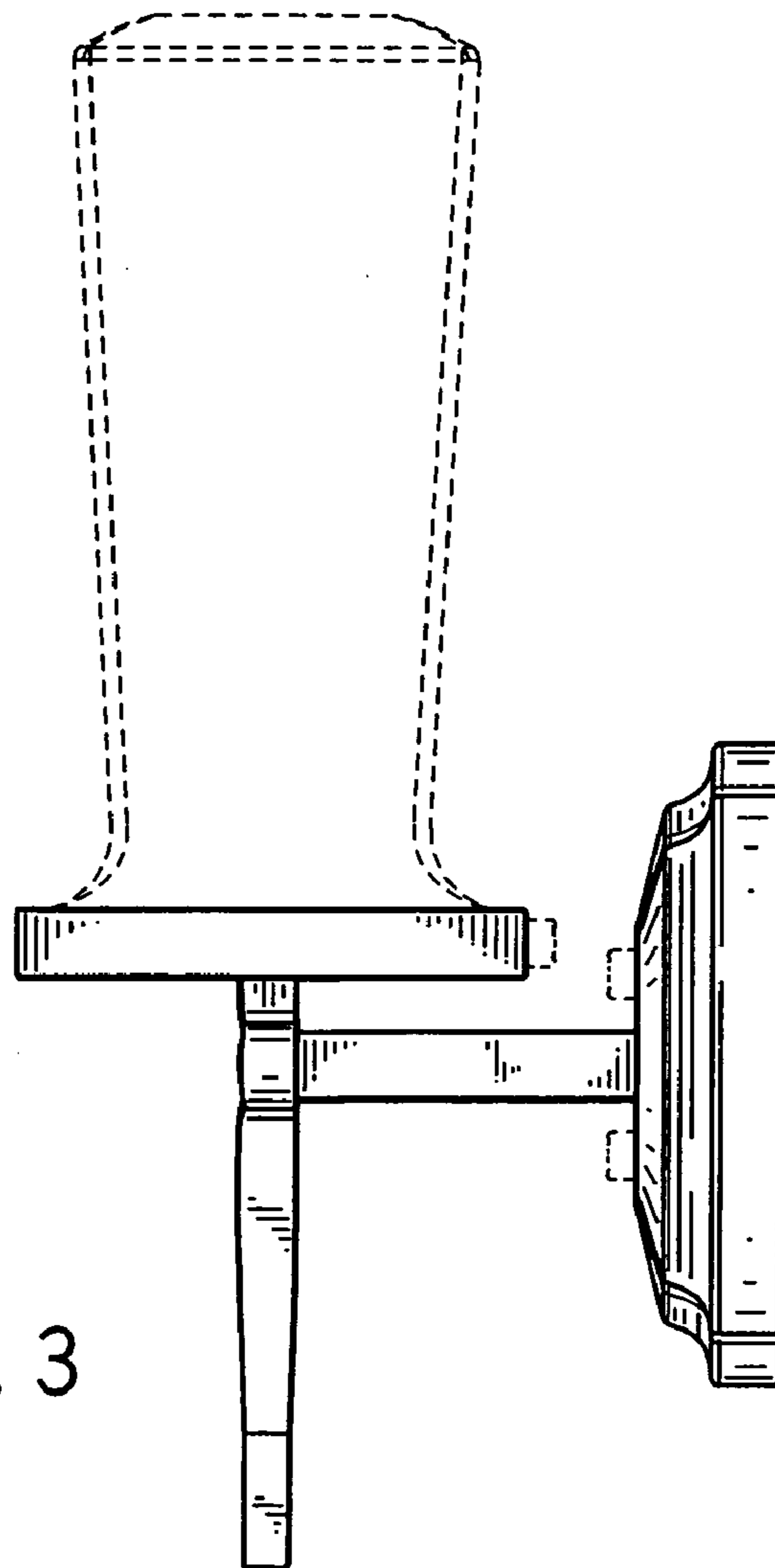


FIG. 3

FIG. 4

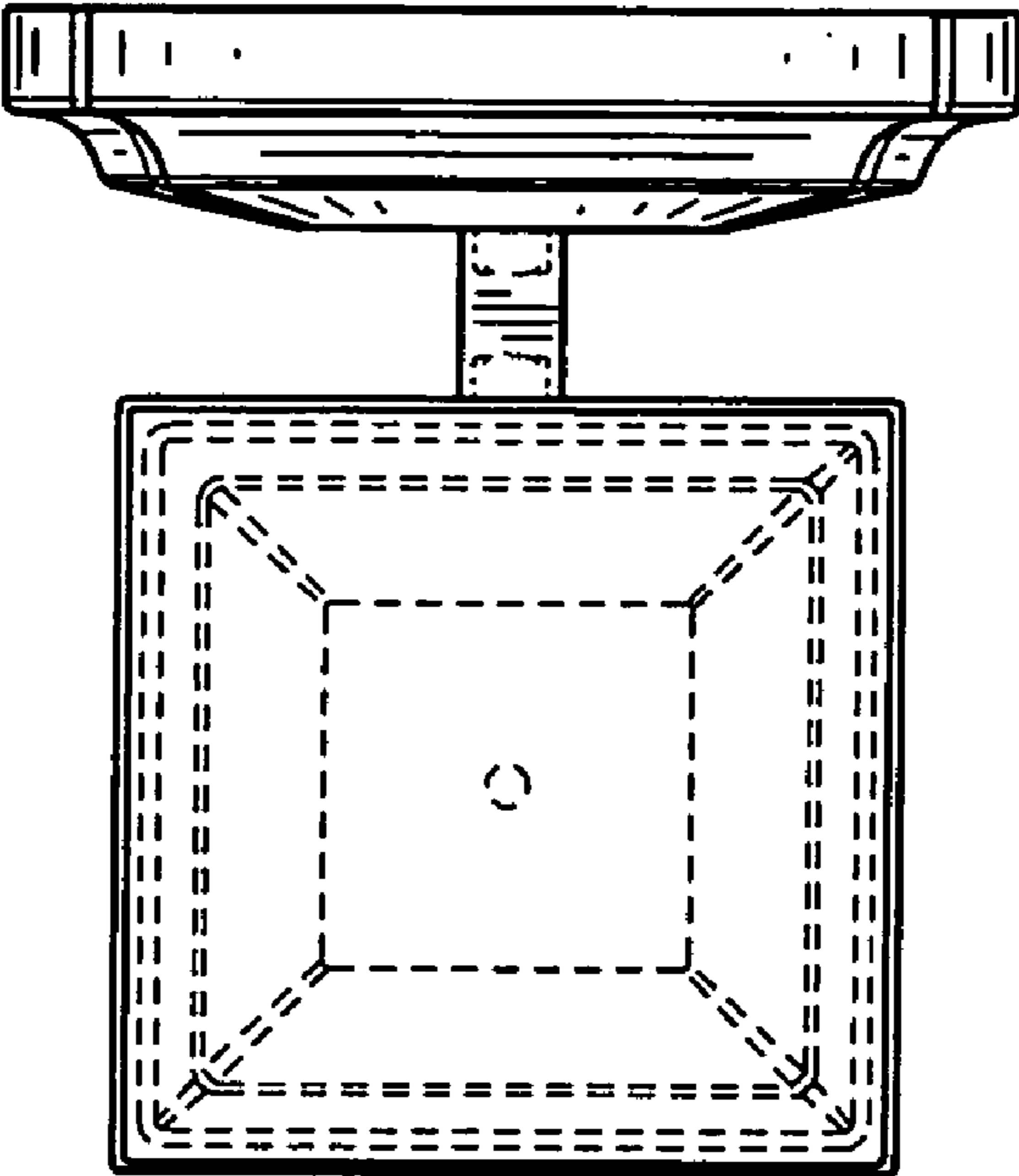
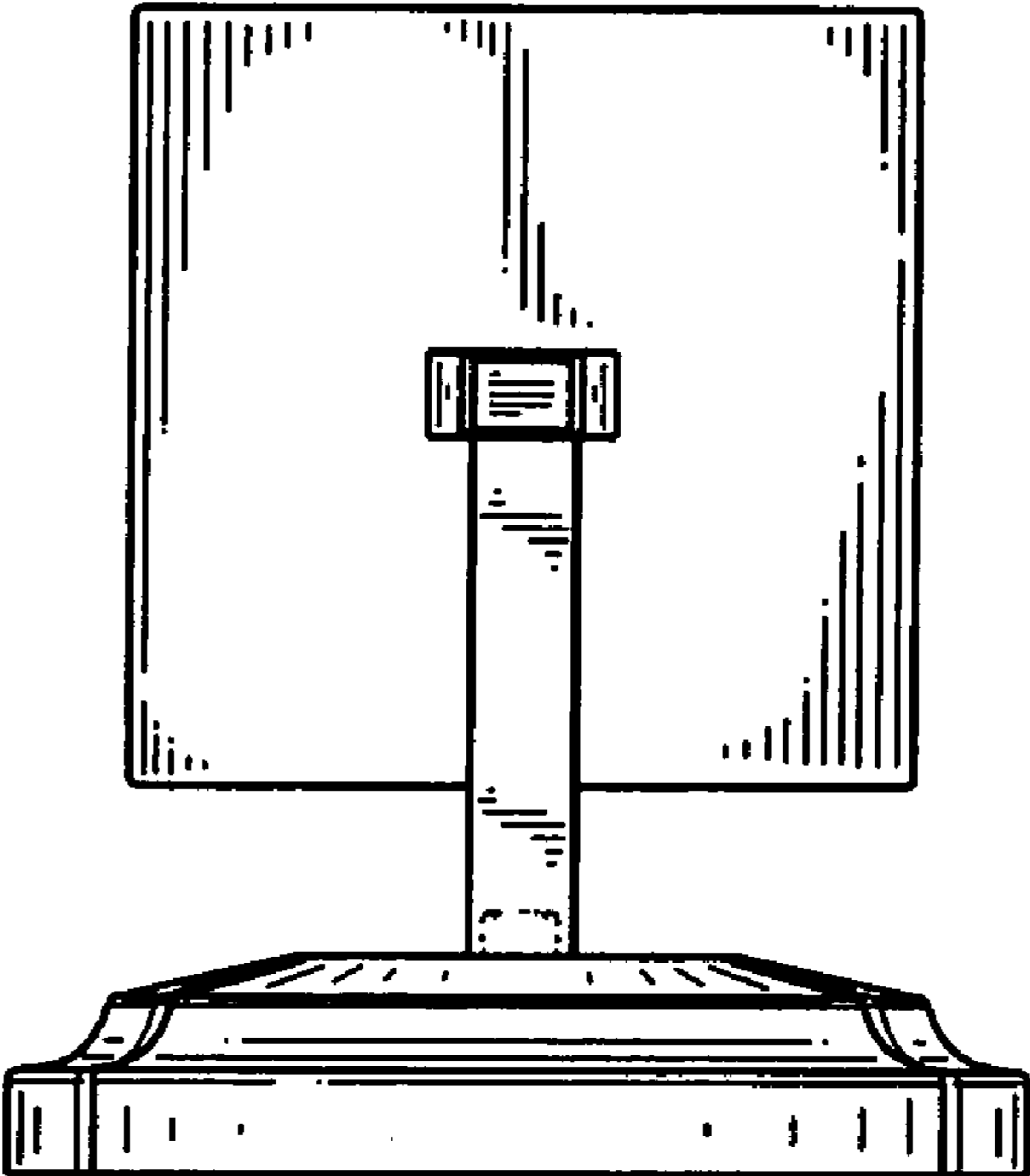


FIG. 5



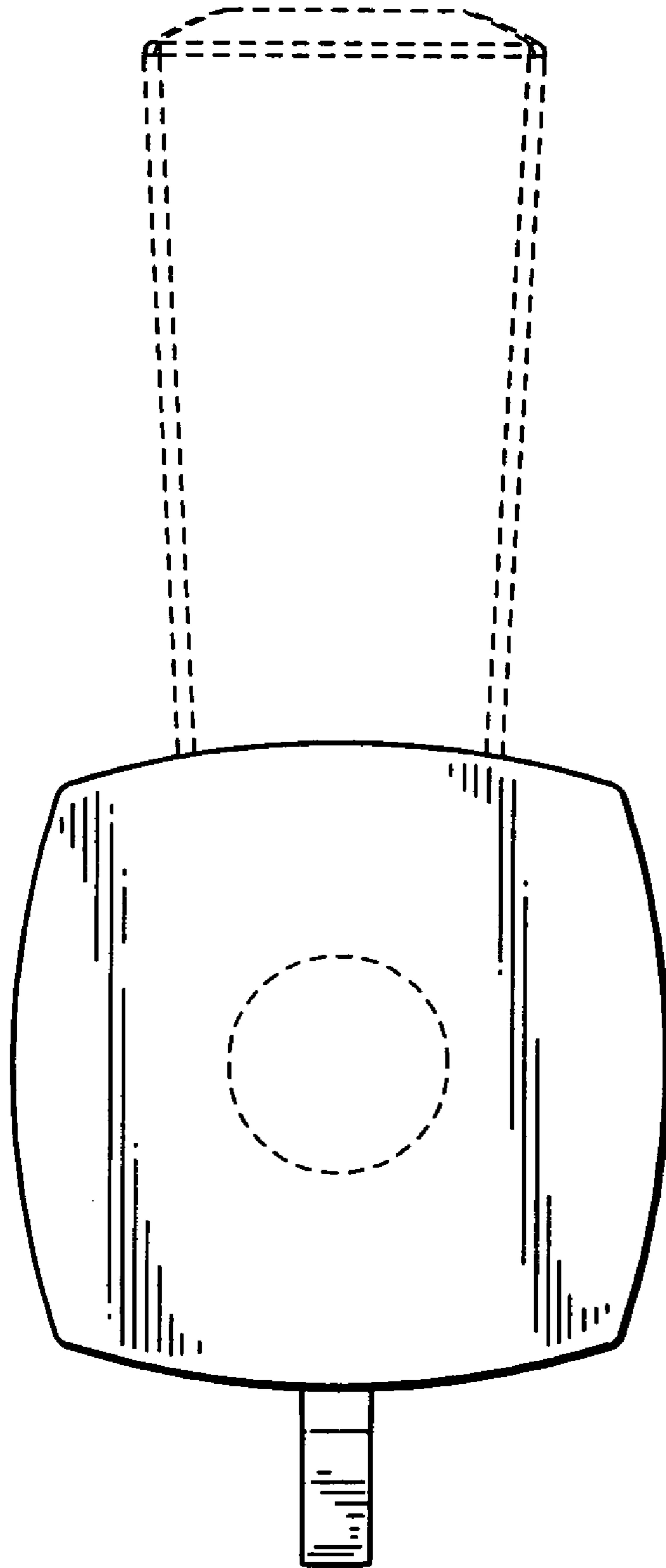


FIG. 6