



US00D556364S

(12) **United States Design Patent**
McDowell

(10) **Patent No.:** **US D556,364 S**

(45) **Date of Patent:** **** Nov. 27, 2007**

(54) **LAMPSHADE**

(75) Inventor: **Mark McDowell**, Davie, FL (US)

(73) Assignee: **Blumberg Industries, Inc.**, Miami Lakes, FL (US)

(**) Term: **14 Years**

(21) Appl. No.: **29/270,748**

(22) Filed: **Jan. 3, 2007**

Related U.S. Application Data

(62) Division of application No. 29/214,854, filed on Oct. 8, 2004.

(51) **LOC (8) Cl.** **26-99**

(52) **U.S. Cl.** **D26/118**

(58) **Field of Classification Search** D26/113,
D26/118, 119, 128, 120, 121, 130, 104, 67,
D26/153, 77, 37, 72, 85, 91, 105, 129; 362/228,
362/363, 317, 351, 354, 355, 356, 358, 223,
362/362

See application file for complete search history.

(56) **References Cited**

U.S. PATENT DOCUMENTS

41,547 A * 2/1864 Stratton D26/128
249,690 A * 11/1881 Swift 362/362
D69,320 S * 1/1926 Hall D26/130

(Continued)

OTHER PUBLICATIONS

Lumicube, lighting designs by Michael Seal; "LUMISHADES";
www.lumicube.com/pages/lumishades.html; 2002.*

(Continued)

Primary Examiner—Freda S. Nunn

Assistant Examiner—Kevin K. Rudzinski

(74) *Attorney, Agent, or Firm*—McCormick, Paulding &
Huber LLP

(57) **CLAIM**

The ornamental design for a lampshade, as shown and described.

DESCRIPTION

FIG. 1 is a front view of a lampshade comprising a first embodiment of the new, original and ornamental design, the rear, left-hand and right-hand side views being a mirror image thereof.

FIG. 2 is a bottom view of a lampshade comprising the first embodiment of the new, original and ornamental design.

FIG. 3 is a top view of a lampshade comprising the first embodiment of the new, original and ornamental design.

FIG. 4 is a front view of a lampshade comprising a second embodiment of the new, original and ornamental design, the rear, left-hand and right-hand side views being a mirror image thereof.

FIG. 5 is a bottom view of a lampshade comprising the second embodiment of the new, original and ornamental design.

FIG. 6 is a top view of a lampshade comprising the second embodiment of the new, original and ornamental design.

FIG. 7 is a front view of a lampshade comprising a third embodiment of the new, original and ornamental design, the rear, left-hand and right-hand side views being a mirror image thereof.

FIG. 8 is a bottom view of a lampshade comprising the third embodiment of the new, original and ornamental design.

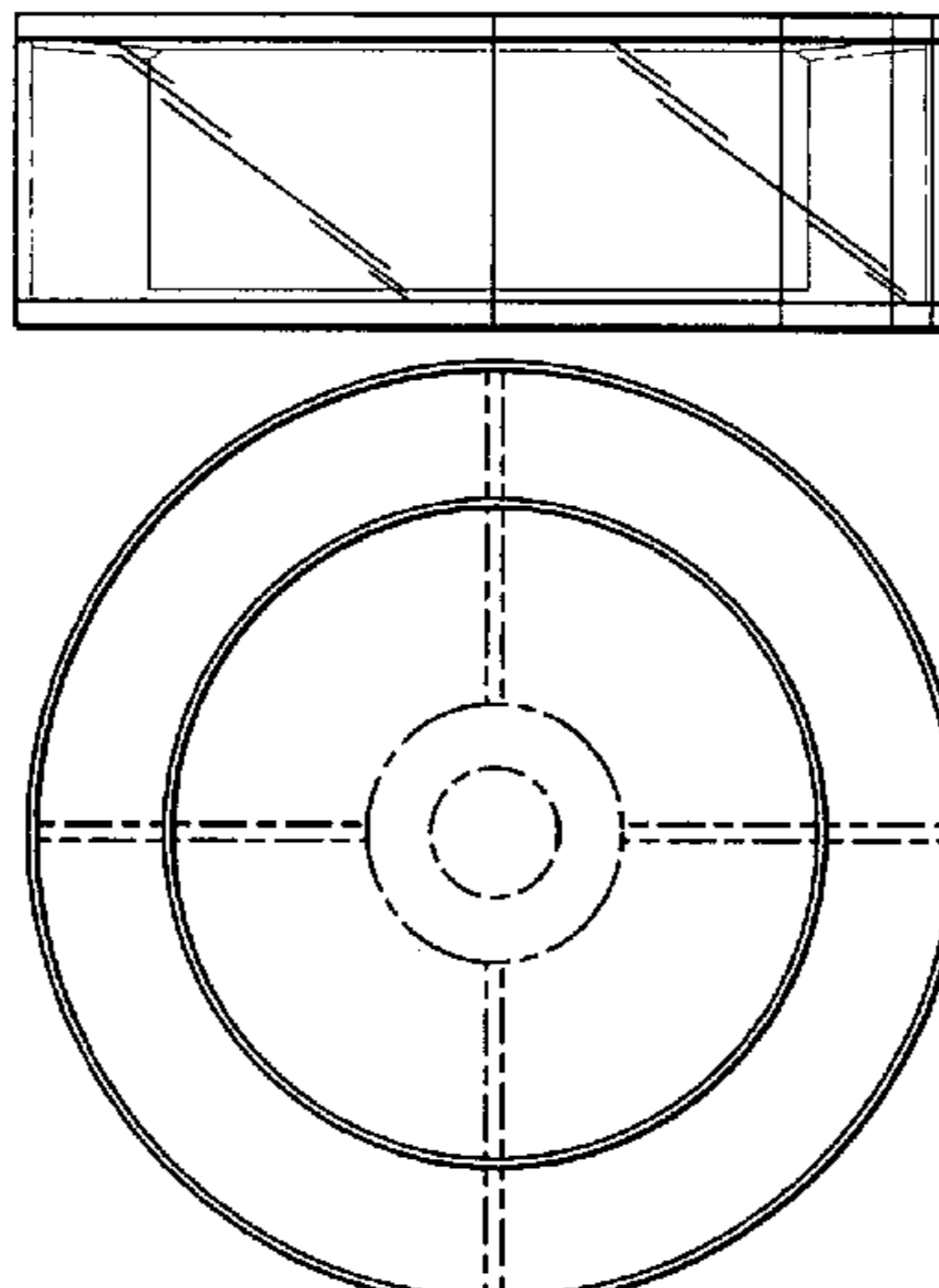
FIG. 9 is a top view of a lampshade comprising the third embodiment of the new, original and ornamental design.

FIG. 10 is a front view of a lampshade comprising a fourth embodiment of the new, original and ornamental design, the rear, left-hand and right-hand side views being a mirror image thereof.

FIG. 11 is a bottom view of a lampshade comprising the fourth embodiment of the new, original and ornamental design; and,

FIG. 12 is a top view of a lampshade comprising the fourth embodiment of the new, original and ornamental design.

1 Claim, 4 Drawing Sheets



US D556,364 S

Page 2

U.S. PATENT DOCUMENTS

1,586,577	A *	6/1926	Raitt	362/356	D416,099	S *	11/1999	Hardy	D26/9
1,955,684	A *	4/1934	Rezofsky	362/444	D417,026	S *	11/1999	Taylor et al.	D26/67
D114,108	S	4/1939	Manning		6,000,817	A *	12/1999	Chan	362/352
2,230,186	A *	1/1941	Andrews et al.	362/291	D429,360	S *	8/2000	Chelf et al.	D26/86
2,538,676	A	1/1951	Enright		D434,518	S *	11/2000	Rivers	D26/110
2,637,805	A *	5/1953	Jacobs	362/358	D438,327	S	2/2001	Chelf et al.	
2,711,476	A	6/1955	Wells		D447,272	S *	8/2001	Smith	D26/118
2,713,632	A	7/1955	Fine		D463,613	S *	9/2002	Block	D26/142
D201,295	S *	6/1965	Robichaud	D26/58	6,474,831	B1	11/2002	Ruuttu et al.	
3,222,517	A *	12/1965	Peter	362/350	6,537,063	B1	3/2003	Pecoskie	
3,239,662	A	3/1966	Noller		D477,892	S *	7/2003	Alduby	D26/118
D204,899	S	5/1966	Curry		D482,158	S *	11/2003	Velikov et al.	D26/128
D218,474	S *	8/1970	Devine	D26/131	6,652,124	B2	11/2003	Schubert et al.	
3,666,934	A	5/1972	Moore		6,669,468	B2 *	12/2003	Pesu	431/291
D226,327	S *	2/1973	Anderson	D26/67	6,742,915	B1	6/2004	Westerheide	
D244,875	S	6/1977	Baca		D495,822	S	9/2004	Yoneda	
D246,269	S *	11/1977	Baker	D26/129	6,793,377	B2 *	9/2004	Chu	362/350
4,079,245	A *	3/1978	Baker	362/355	2003/0064337	A1	4/2003	Pesu	
4,233,656	A *	11/1980	Shemitz	362/352	2003/0218883	A1 *	11/2003	Thevenot	362/362
4,290,099	A *	9/1981	Vicars-Harris	362/352					
4,344,115	A *	8/1982	Pickens et al.	362/216					
D287,107	S	12/1986	Bergeron et al.						
D294,645	S	3/1988	Ewing et al.						
4,731,716	A *	3/1988	Chang	362/352					
D298,861	S *	12/1988	Ewing et al.	D26/71					
D323,037	S *	1/1992	Edwards	D26/118					
D345,024	S *	3/1994	Fox	D26/58					
5,375,048	A *	12/1994	Barnes	362/352					
D377,402	S *	1/1997	Perkins	D26/135					
D385,650	S *	10/1997	Okros	D26/120					
D396,319	S *	7/1998	Sutton	D26/128					

OTHER PUBLICATIONS

Global Lighting; "eda c"; <http://globallighting.net/product.htm?c=3&p=63>; 2004.*
select website pages from <http://www.doveworld.org/ebay/Antiques/Lamps/TABLELAMPS/070614woodmetaltablela> . . . dated Aug. 2, 2007; 4 pages.
select catalog pages entitled "ikarus . . . design katalog" dated 1998; 3 pages.
select catalog pages entitled "Il Giornale Dell'Arredamento" dated Apr. 1997; 2 pages.

* cited by examiner

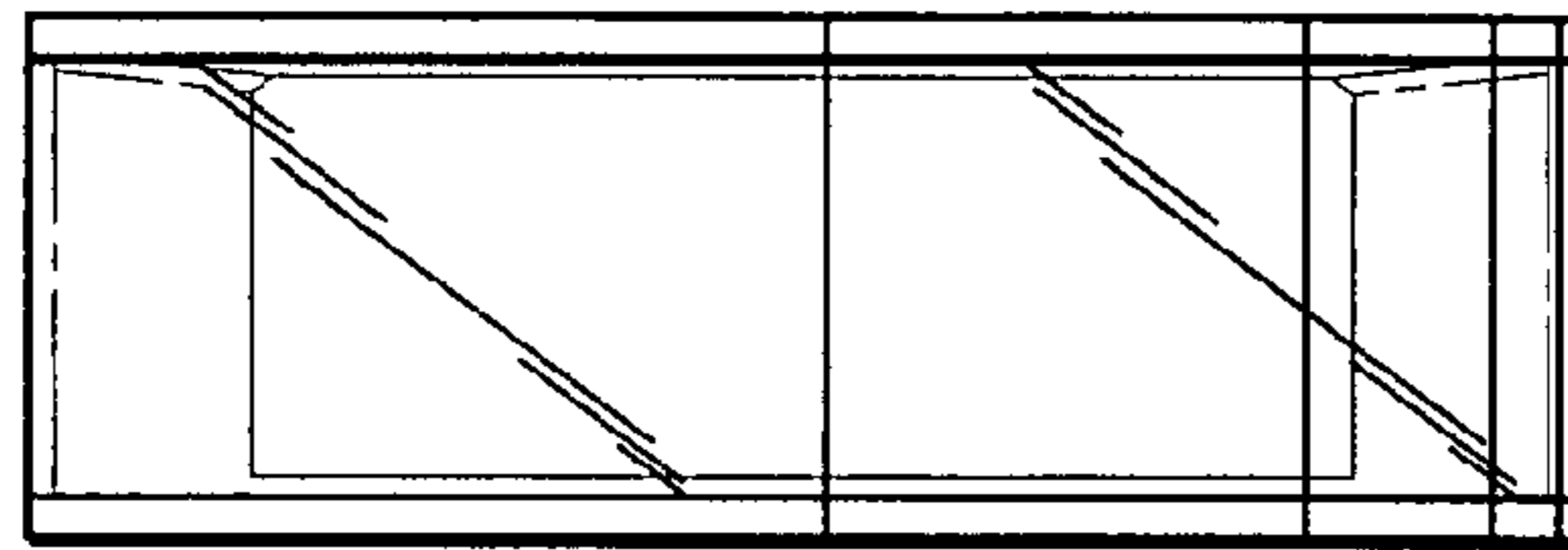


FIG. 1

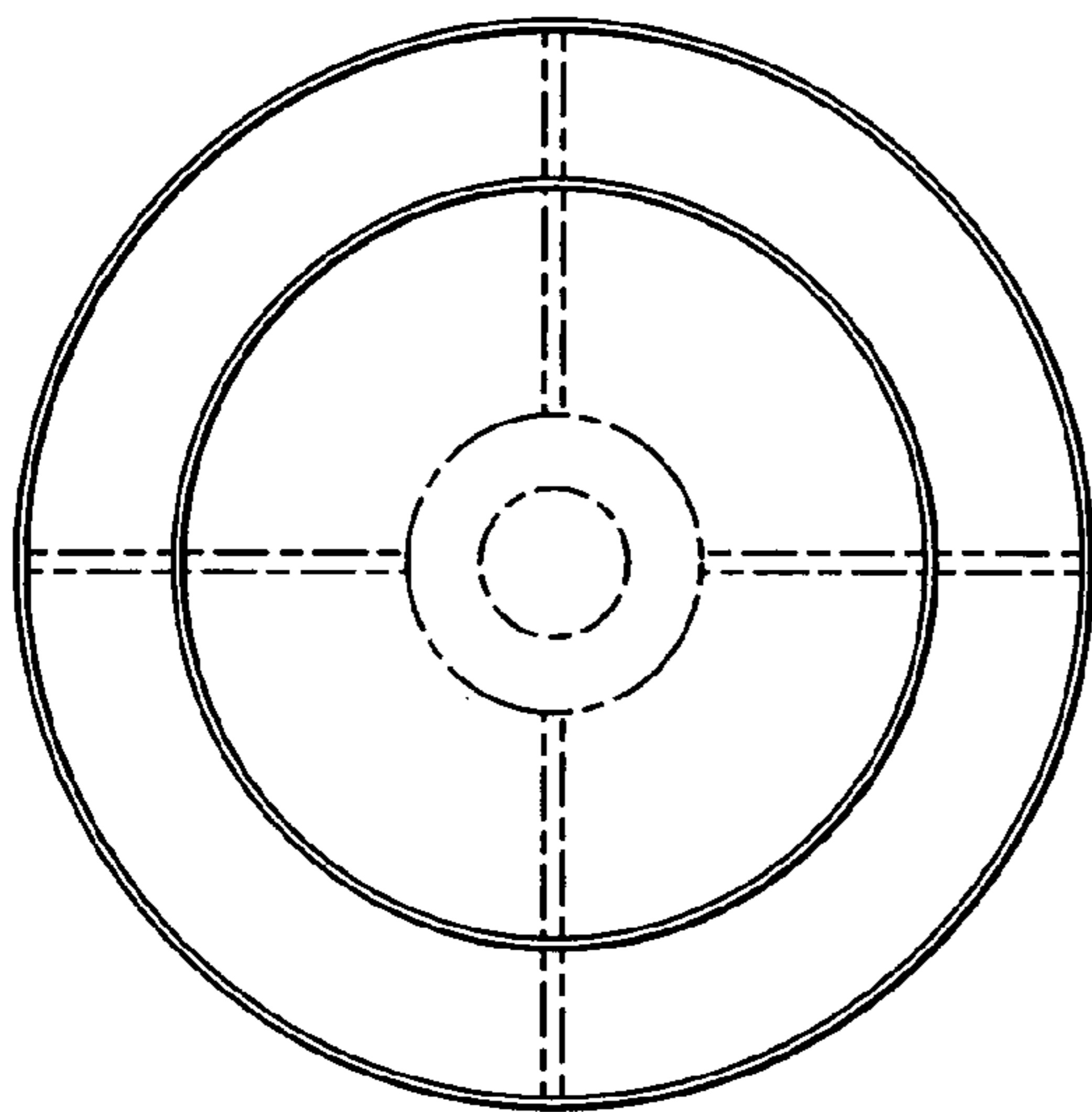


FIG. 2

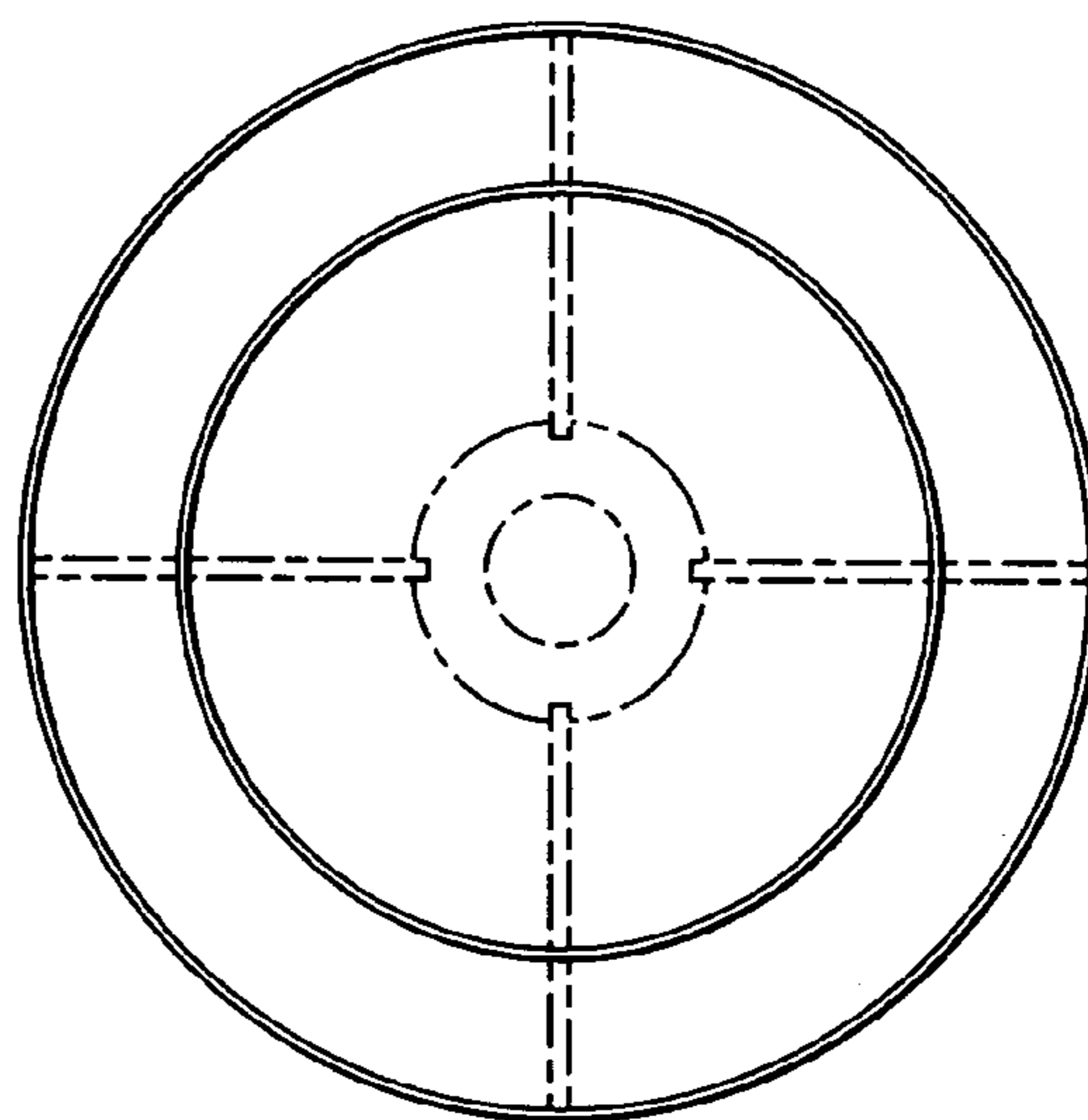


FIG. 3

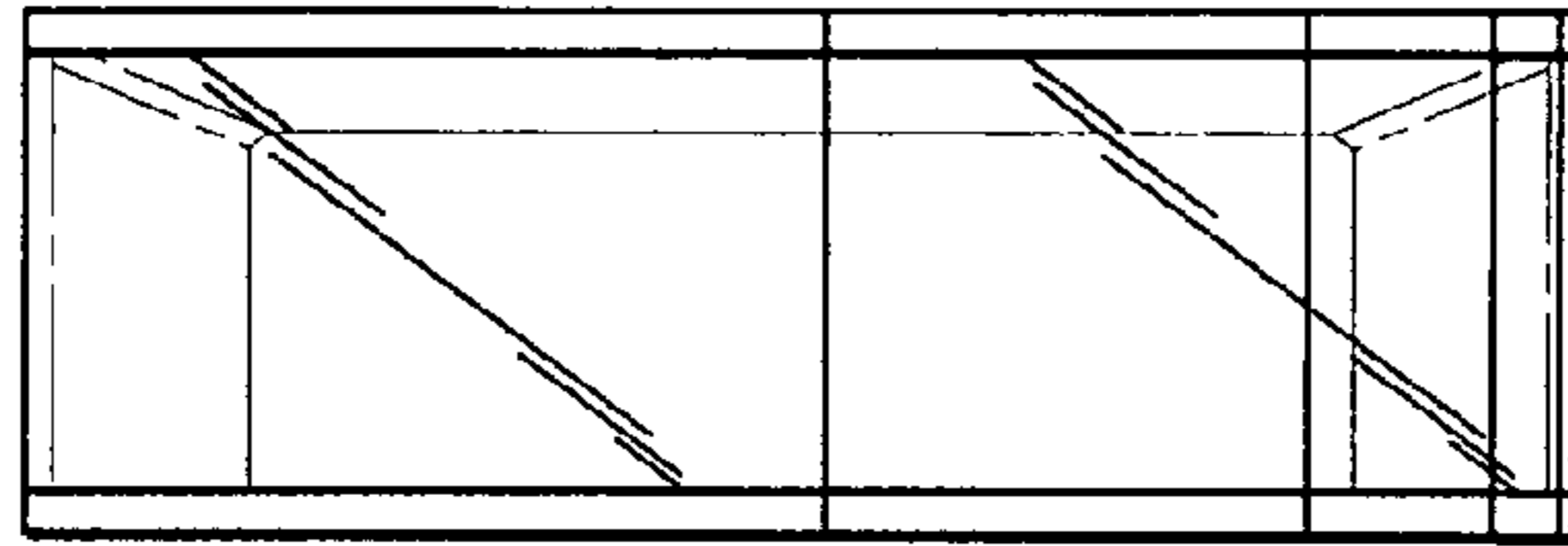


FIG. 4

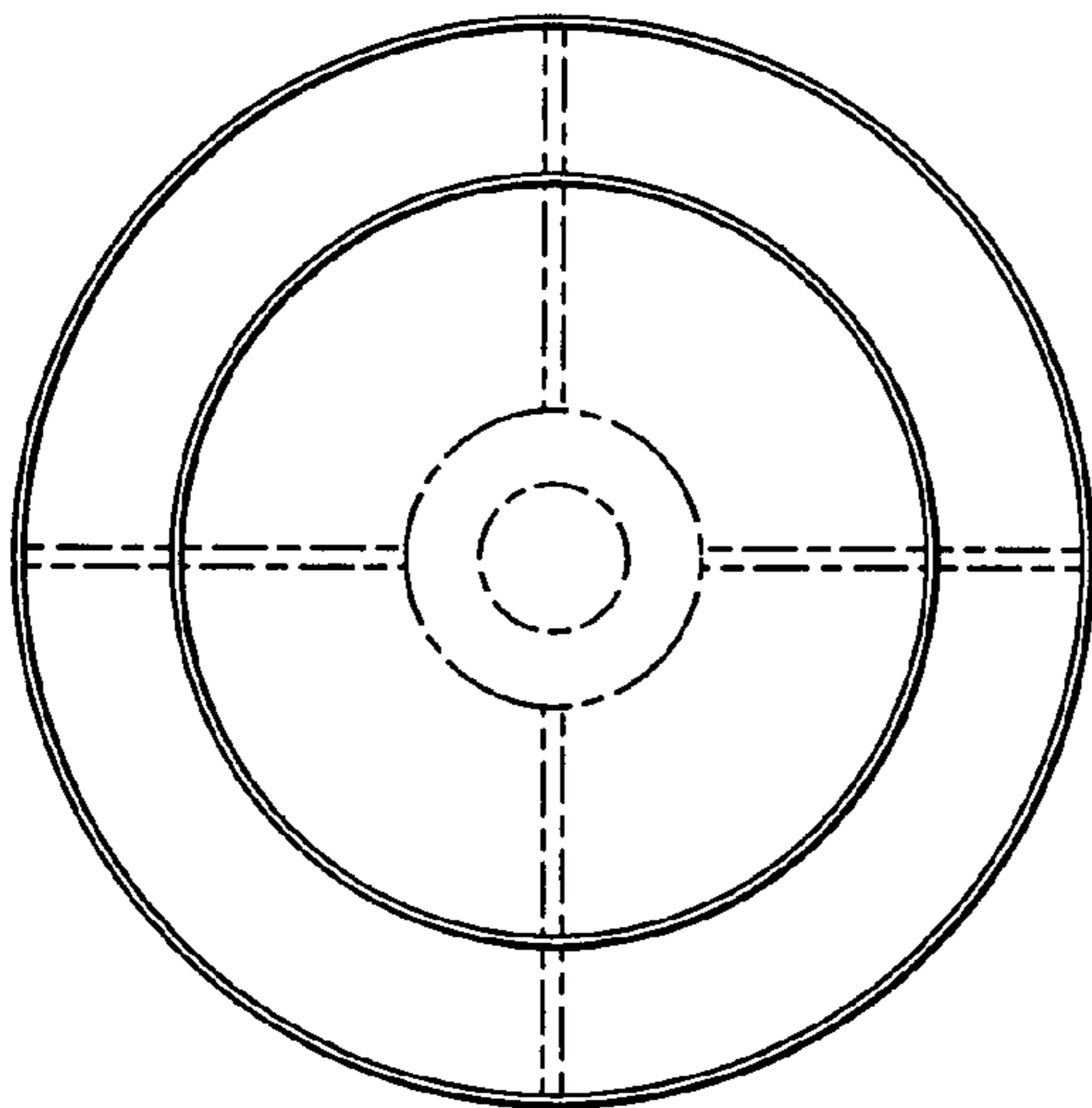


FIG. 5

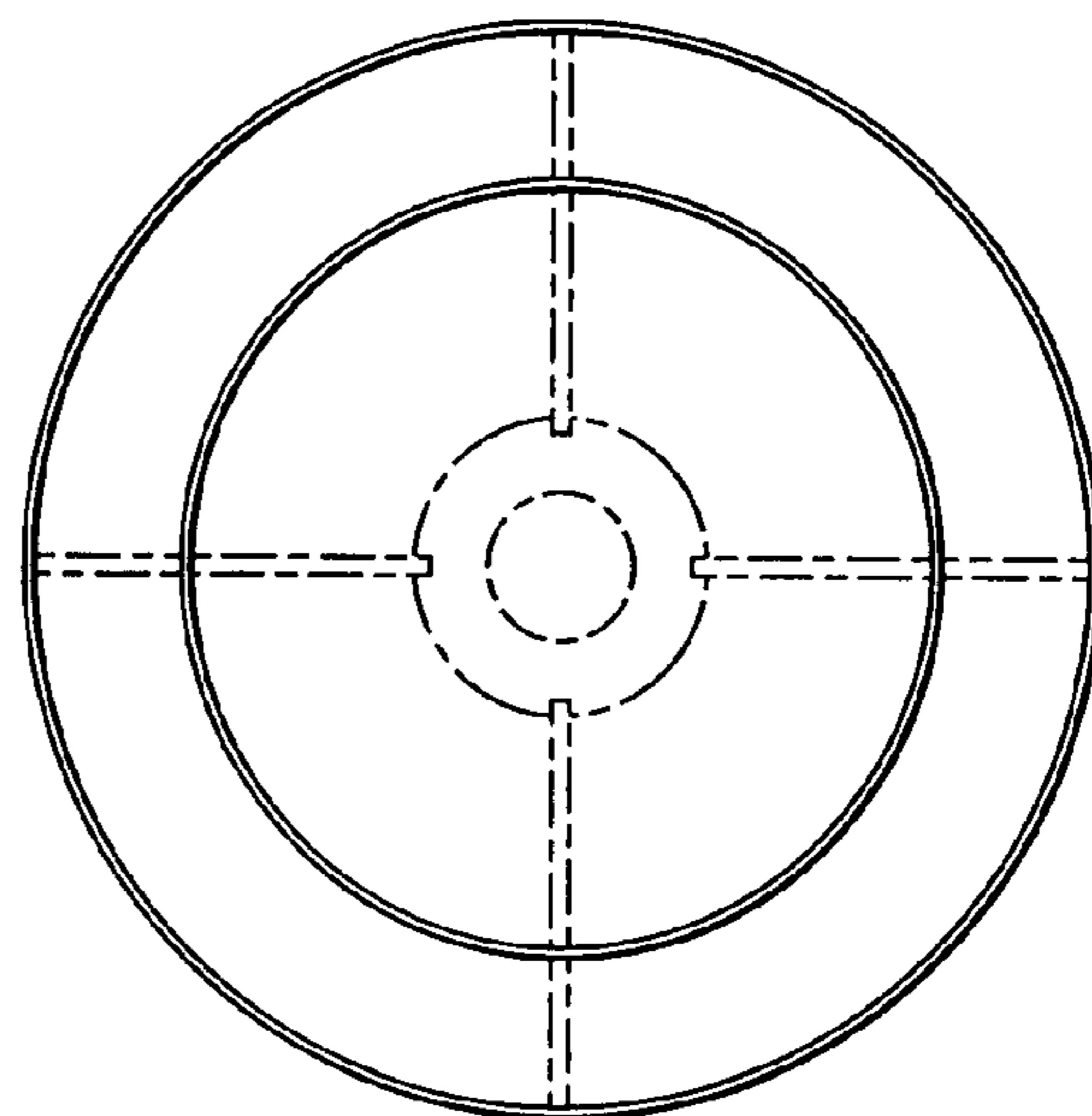


FIG. 6

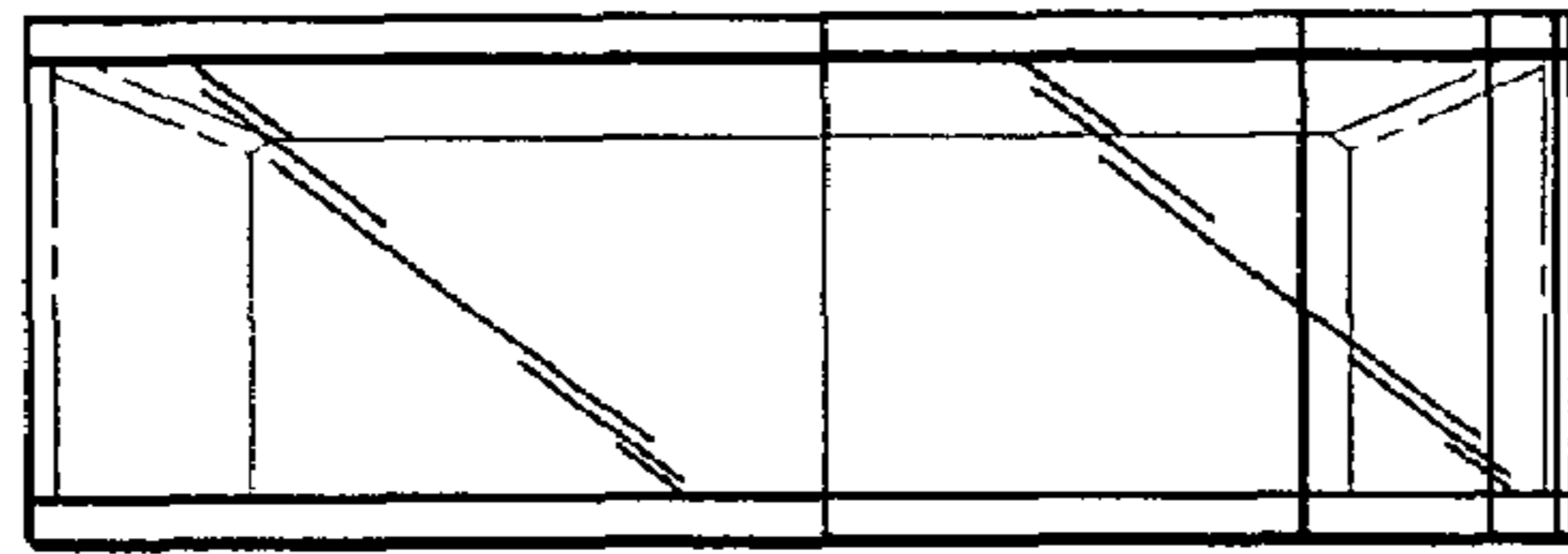


FIG. 7

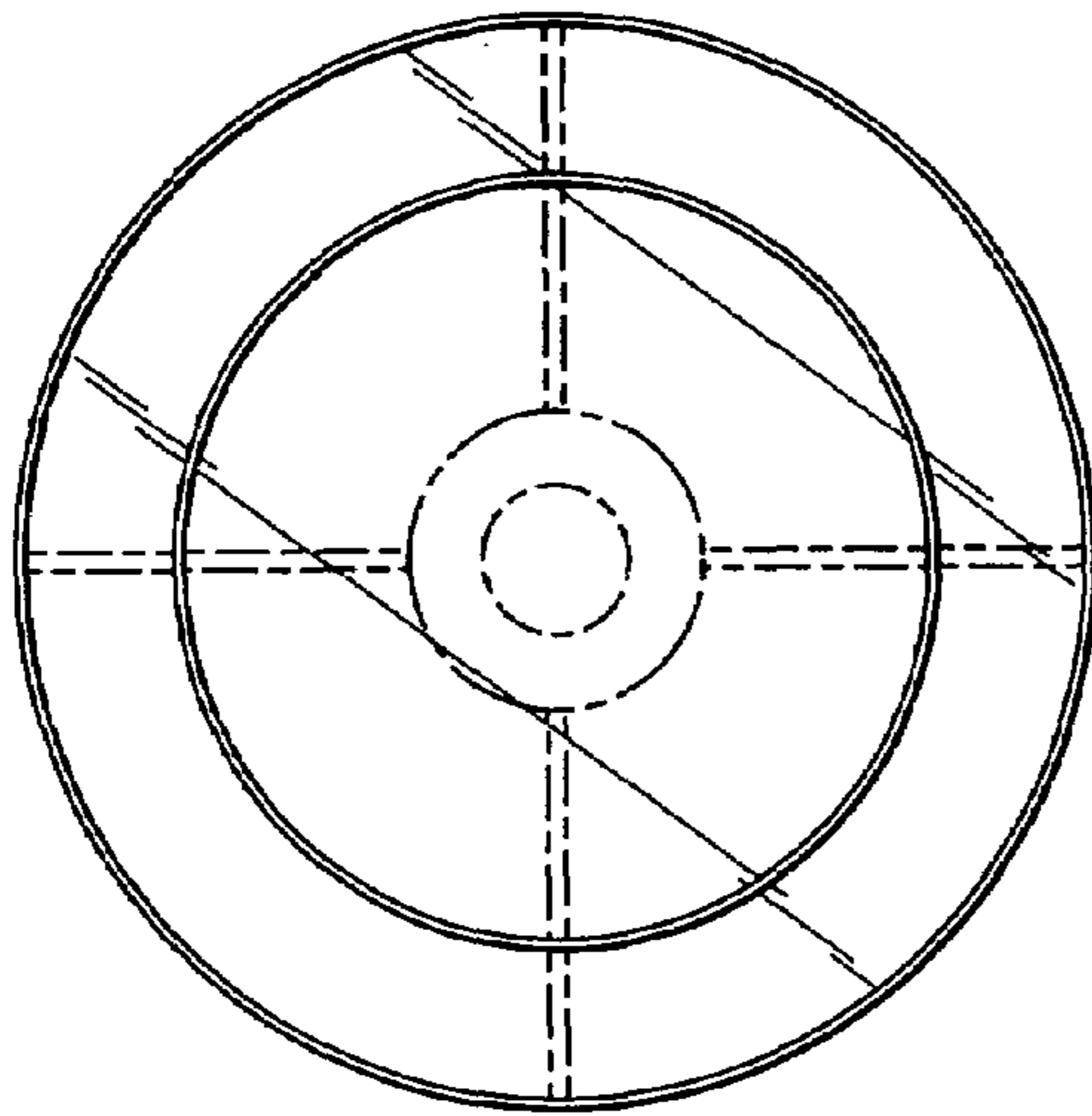


FIG. 8

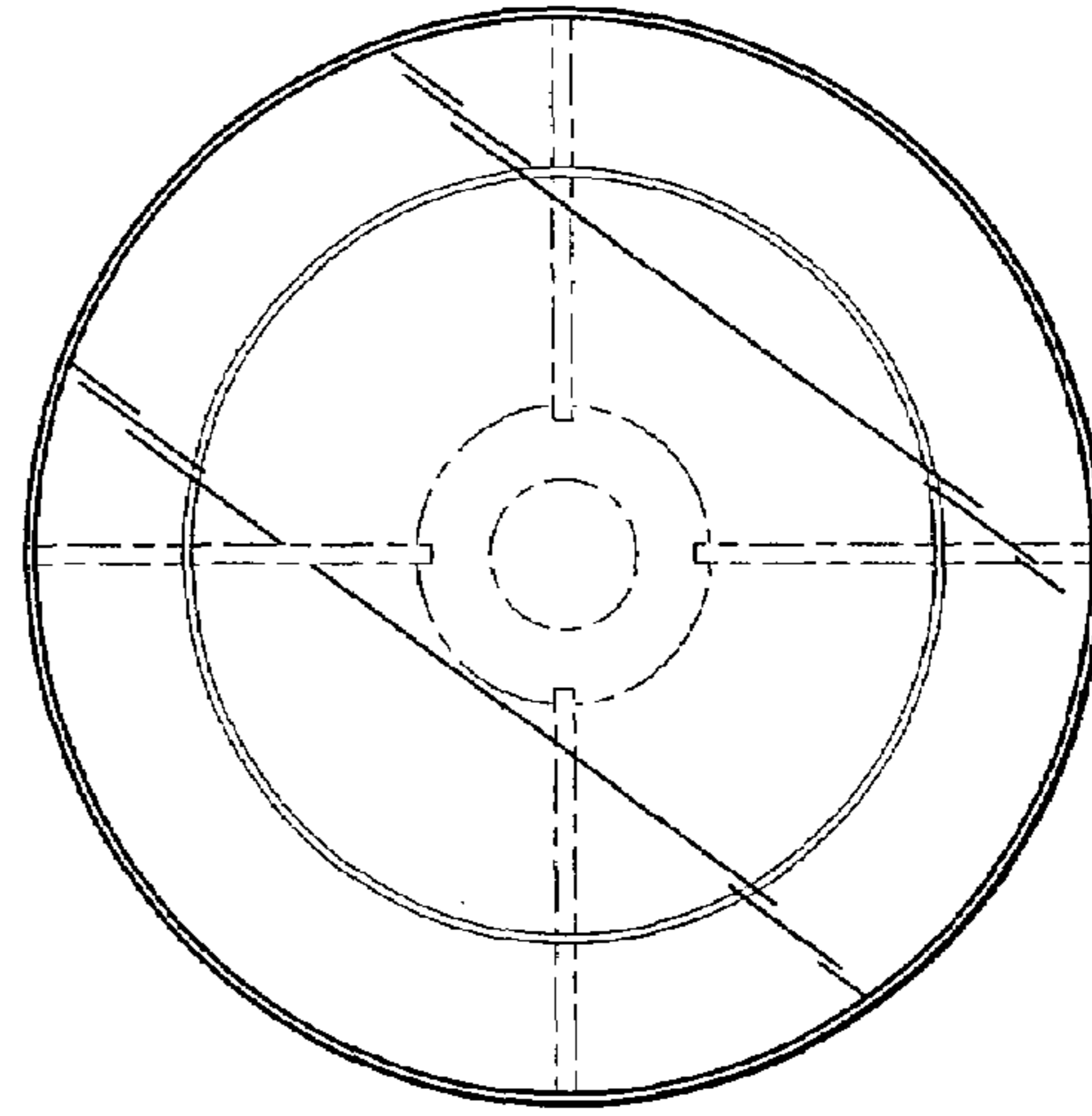


FIG. 9

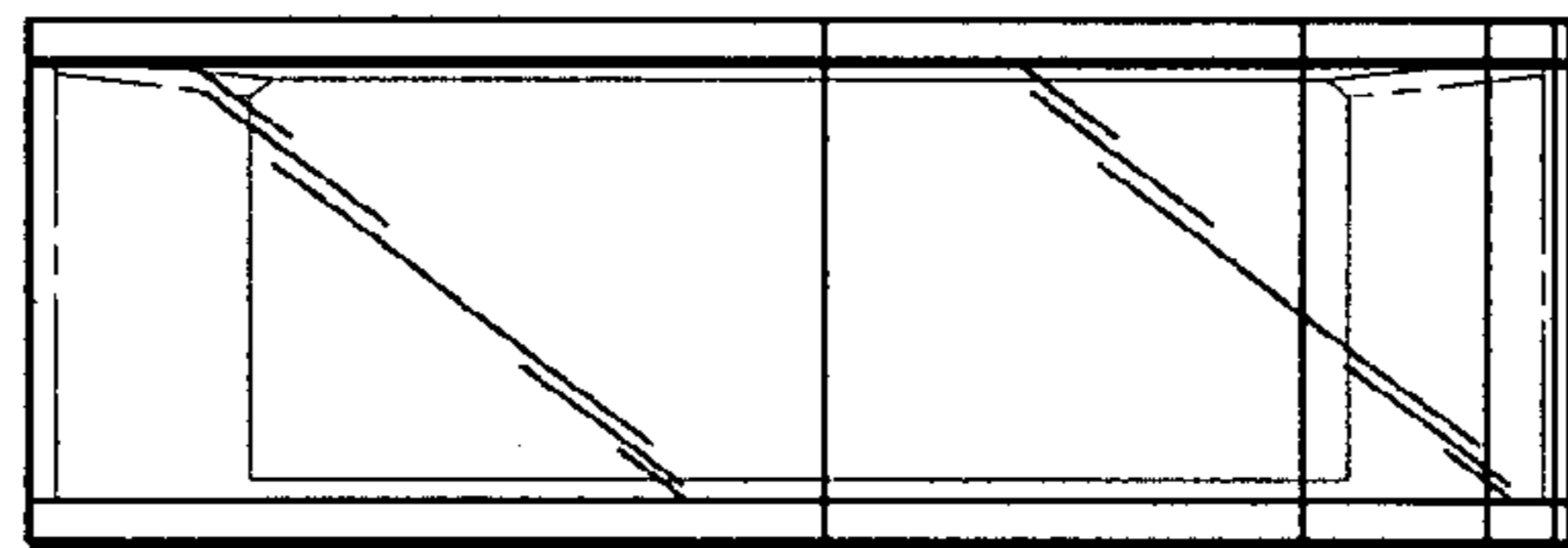


FIG. 10

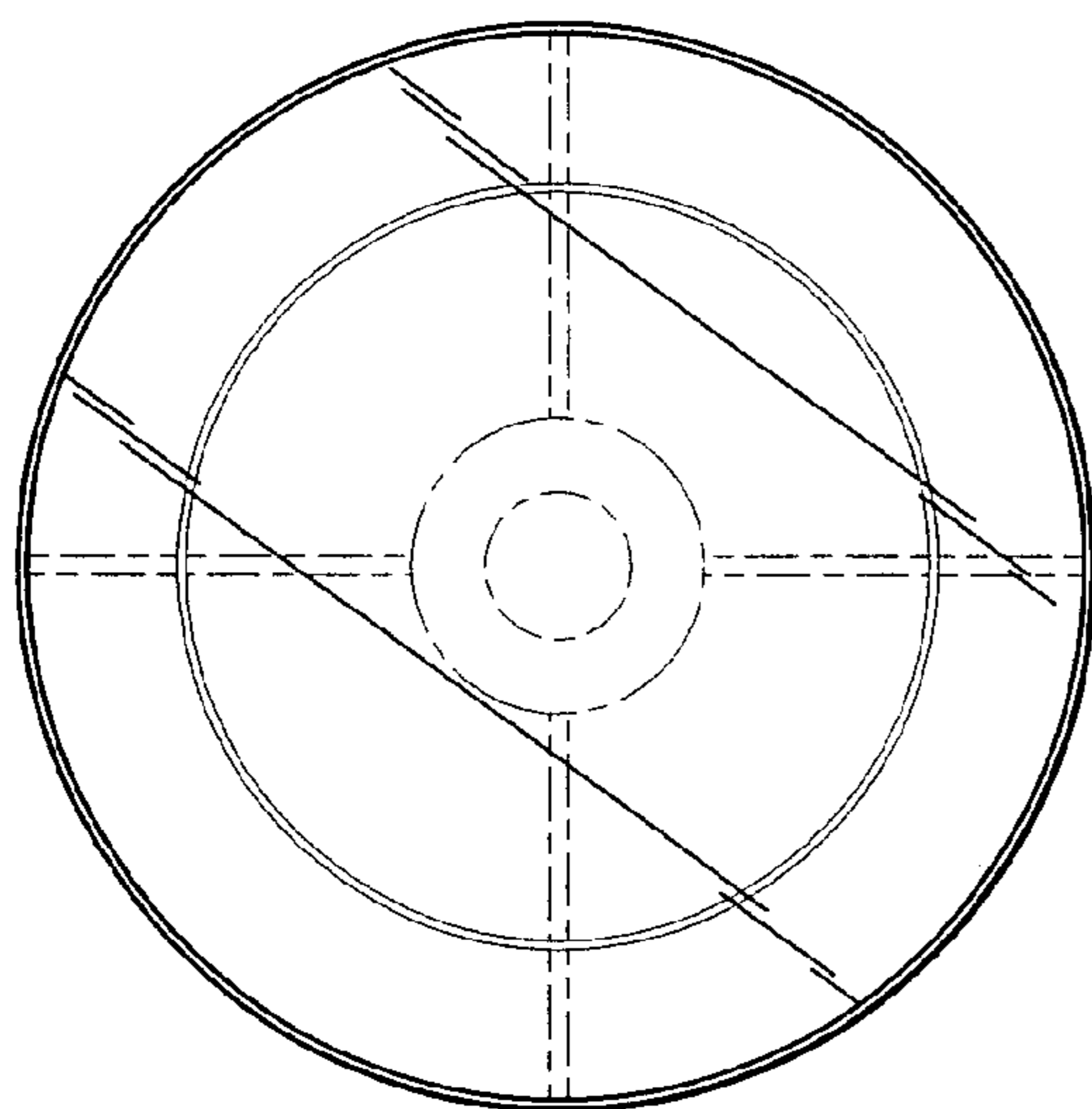


FIG. 11

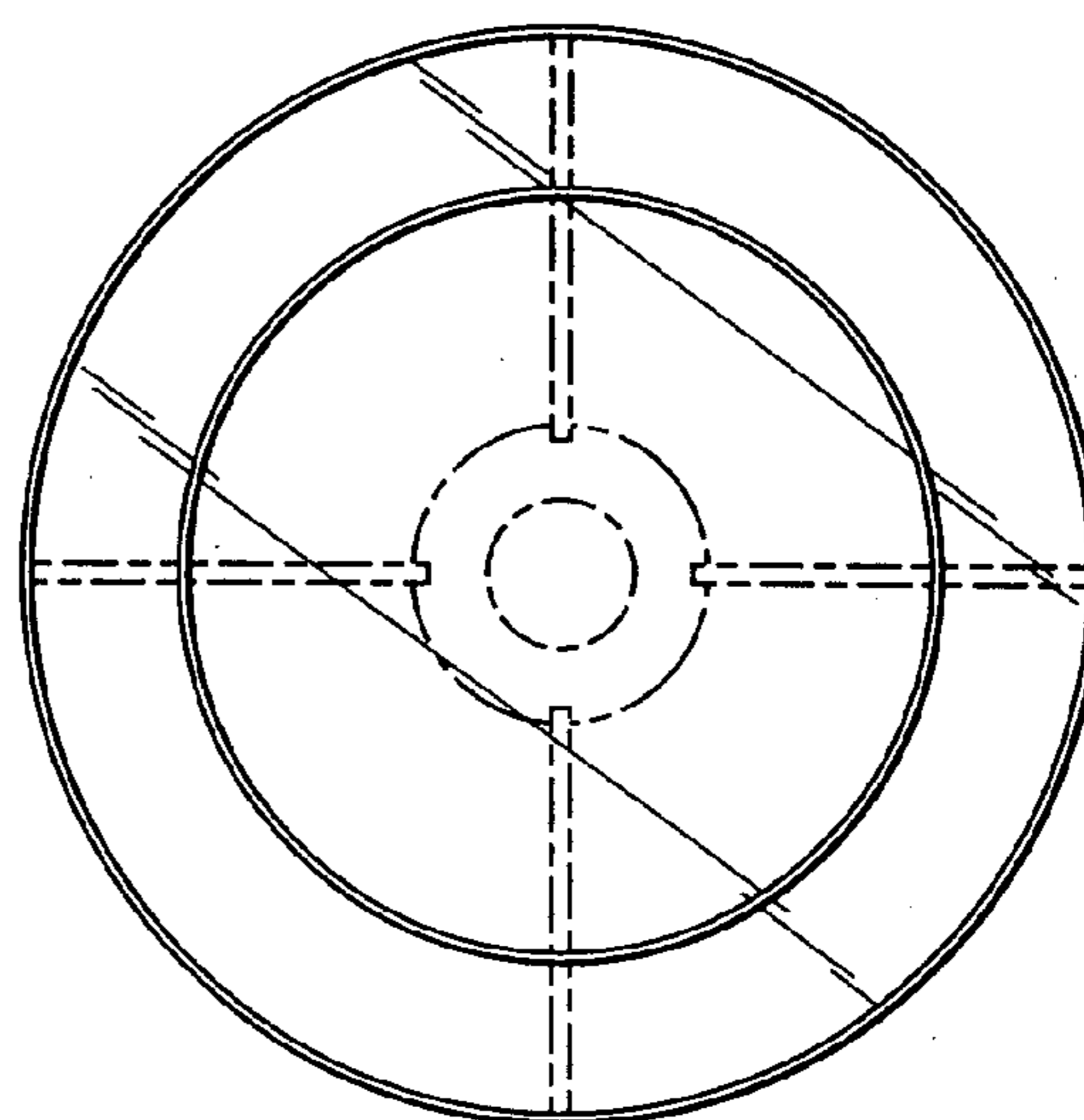


FIG. 12