



US00D556362S

(12) **United States Design Patent**
Pfund et al.

(10) **Patent No.:** **US D556,362 S**

(45) **Date of Patent:** **** Nov. 27, 2007**

(54) **UPLIGHT LUMINAIRE**

(75) Inventors: **David Pfund**, Woodbridge, CT (US);
Sylvan Shemitz, Woodbridge, CT (US)

(73) Assignee: **Sylvan R. Shemitz Designs, Inc.**, West Haven, CT (US)

(**) Term: **14 Years**

(21) Appl. No.: **29/242,064**

(22) Filed: **Nov. 4, 2005**

(51) **LOC (8) Cl.** **26-03**

(52) **U.S. Cl.** **D26/94; D26/58**

(58) **Field of Classification Search** D26/58,
D26/93-112; D6/399, 389, 487, 370-373,
D6/500-502, 480-490, 334, 335, 349-352,
D6/355, 362-366, 495-499, 511; 362/410-414,
362/806, 253, 33, 127, 97; 108/23, 150-152;
248/188, 188.1, 188.8; 297/232, 445.1, 446.1,
297/451.3, 448.1, 450.1

See application file for complete search history.

(56) **References Cited**

U.S. PATENT DOCUMENTS

D235,834 S * 7/1975 Payne et al. D6/487
D244,793 S * 6/1977 Ruud D26/108
D246,933 S * 1/1978 Fabbri D26/109

D293,180 S * 12/1987 Hamami D6/487
D328,673 S * 8/1992 Barfield D6/399
D340,301 S * 10/1993 Evans et al. D26/58
D369,260 S * 4/1996 Cochrane et al. D6/509
D373,843 S * 9/1996 Sonneman D26/106
5,876,262 A * 3/1999 Kelly et al. 108/23
D430,333 S * 8/2000 Campbell D26/102
D508,625 S * 8/2005 Frenkler et al. D6/487
D513,893 S * 1/2006 Reza-Hadden D6/349

* cited by examiner

Primary Examiner—Cathron C. Brooks

Assistant Examiner—Linda Brooks

(74) *Attorney, Agent, or Firm*—Cantor Colburn LLP

(57) **CLAIM**

I claim, the ornamental design for an upright luminaire, as shown and described.

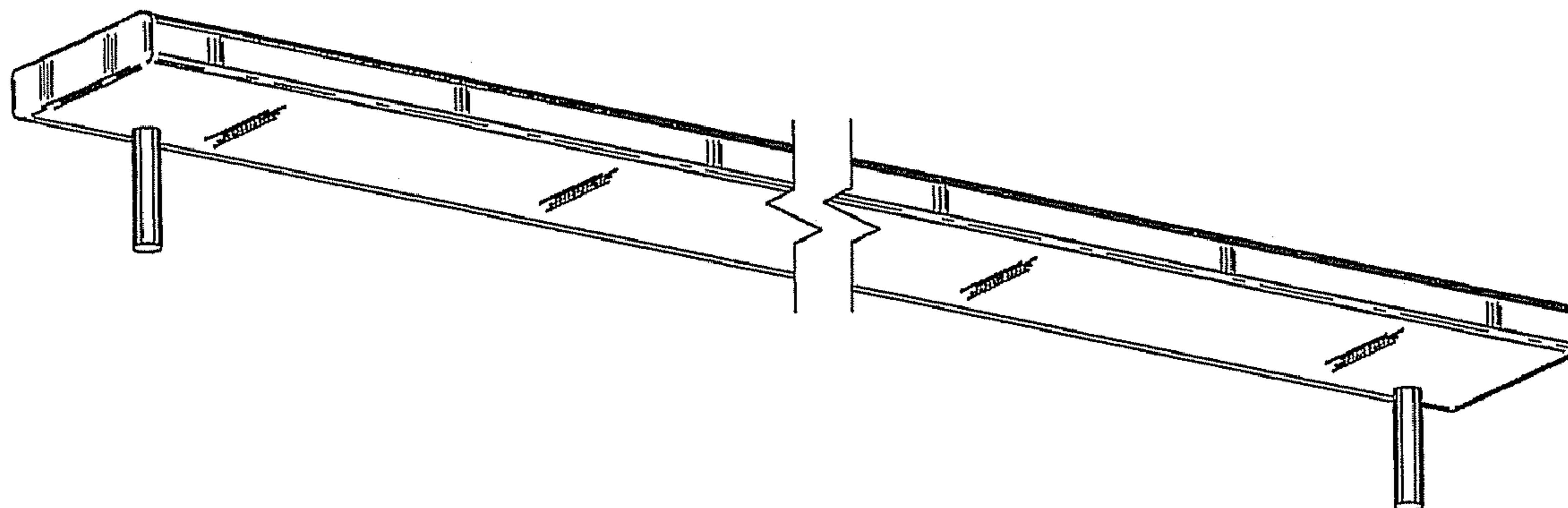
DESCRIPTION

FIG. 1 is a bottom perspective view of an upright luminaire, showing my new design, shown broken away to indicate indeterminate length;

FIG. 2 is a front elevation view thereof, the opposite rear view being a mirror image hereof; and,

FIG. 3 is a side elevation view thereof, the opposite side view being a mirror image hereof.

1 Claim, 1 Drawing Sheet



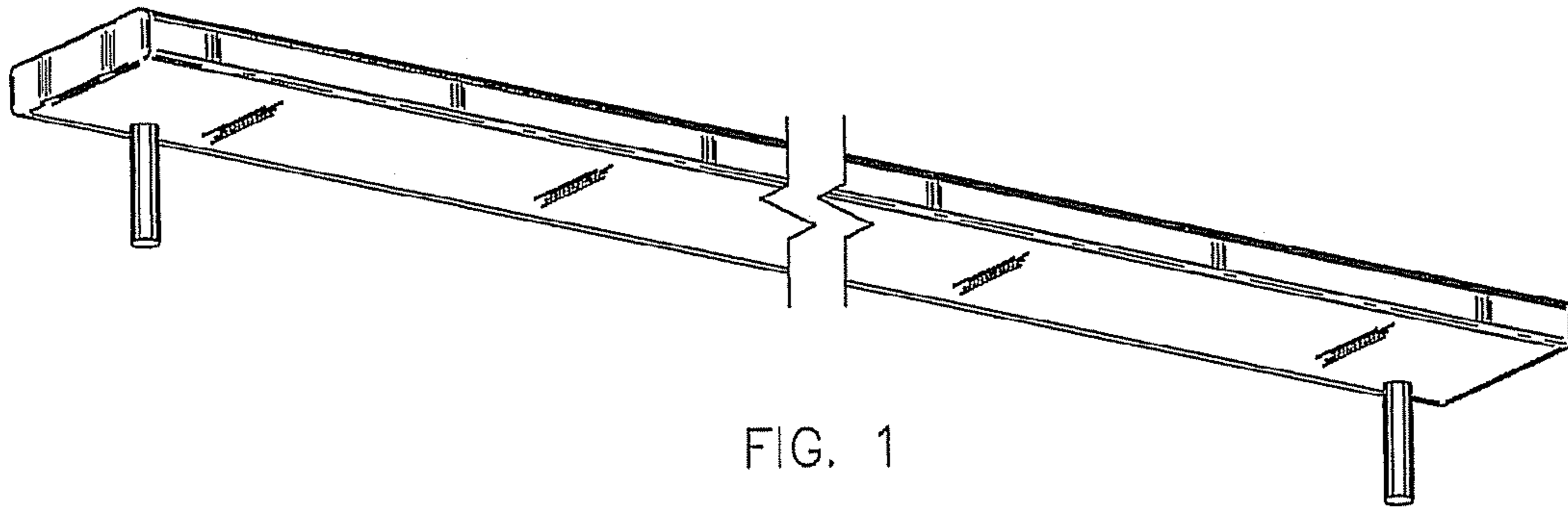


FIG. 1

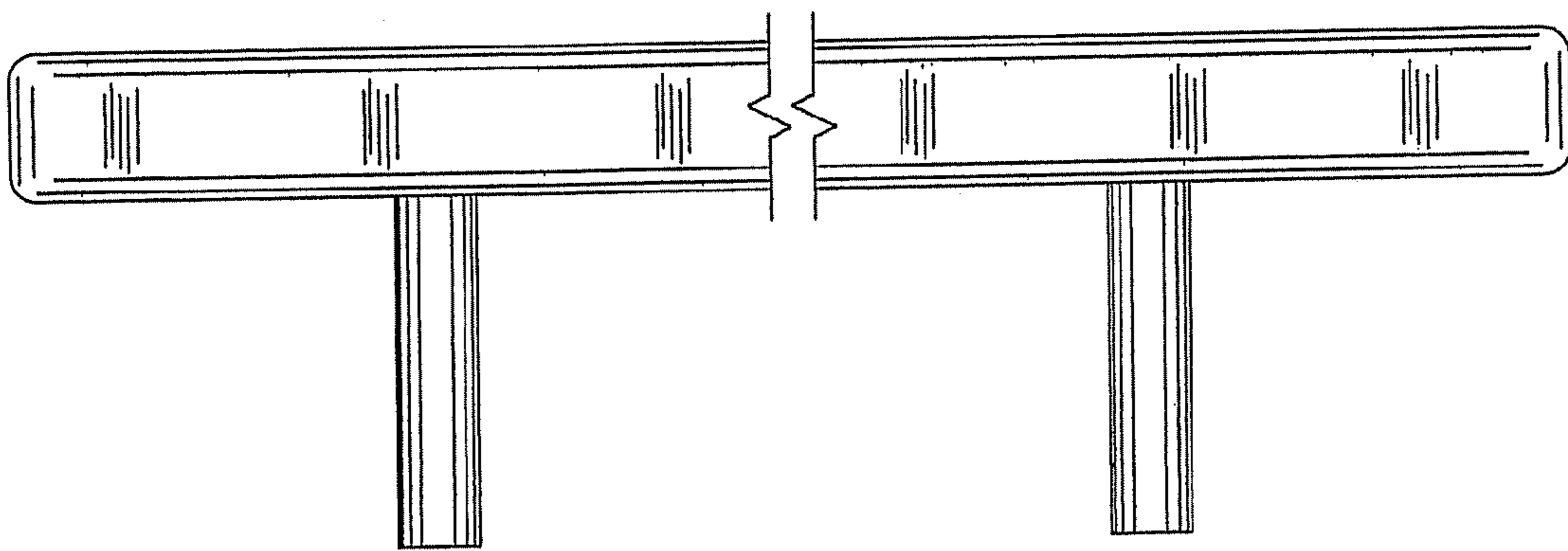


FIG. 2

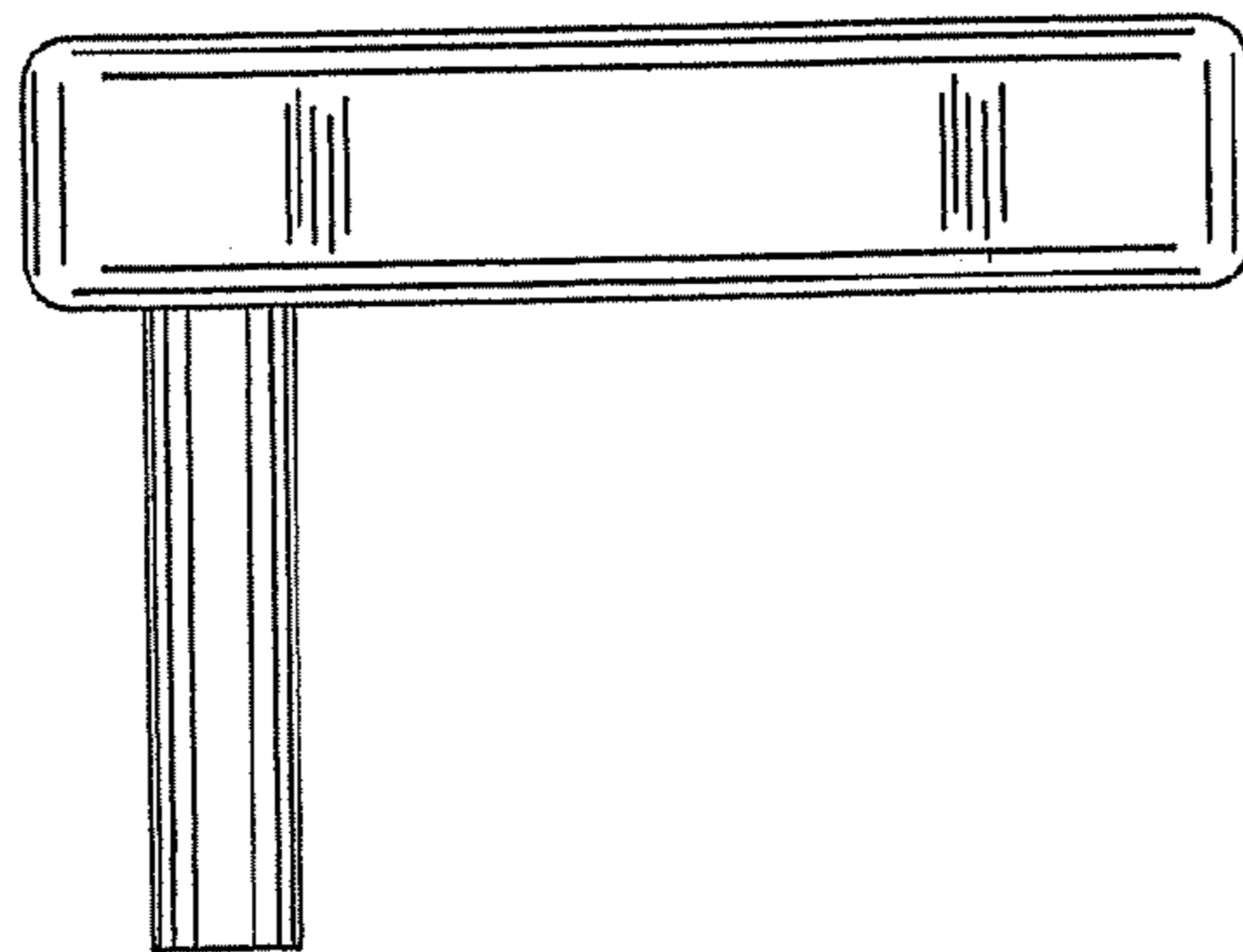


FIG. 3