



US00D556360S

(12) **United States Design Patent** (10) **Patent No.:** **US D556,360 S**
Yando (45) **Date of Patent:** **** Nov. 27, 2007**

(54) **LIGHT FIXTURE**

(75) Inventor: **Roslyn Yando**, Brainardsville, NY (US)

(73) Assignee: **Schonbek Worldwide Lighting, Inc.**,
Plattsburgh, NY (US)

(**) Term: **14 Years**

(21) Appl. No.: **29/269,139**

(22) Filed: **Nov. 21, 2006**

(51) **LOC (8) Cl.** **26-03**

(52) **U.S. Cl.** **D26/87; D26/92**

(58) **Field of Classification Search** **D26/80-92,**
D26/134; 362/147, 404-408, 431, 432, 806
See application file for complete search history.

(56) **References Cited**

U.S. PATENT DOCUMENTS

D39,701 S	*	12/1908	Watkins	D26/142
D67,662 S	*	6/1925	Klein	D26/81
D96,912 S	*	9/1935	Gregg	D26/92
D171,378 S	*	2/1954	Borowitz	D26/106
D388,224 S	*	12/1997	Barry	D26/153
D465,596 S	*	11/2002	Dolan	D26/84
D517,240 S	*	3/2006	Yando	D26/142
D518,225 S	*	3/2006	Yando et al.	D26/142

OTHER PUBLICATIONS

Schonbeck crystal table lamps, "Jasmine" #10460, and "Deco" #10457. Found at schonbeck.com on Apr. 15, 2007. (2 sheets).
Clear ice crystal pendant #P35A from McGills Warehouse. Found at mcgillwarehouse.com on Aug. 4, 2005. (1 sheet).
Deco 10459, Schonbek 2006 Catalog "The Year of the Lamp", Mar. 31, 2006, 1 page.

"Deco 10440", Schonbek 2006 Catalog "The Year of the Lamp", Mar. 31, 2006, 1 page.

"Rhiannon 9656", Schonbek 2006 Catalog "Contemporary Crystal", Jun. 19, 2006, 1 page.

"Jasmine 9676", Schonbek 2006 Catalog "Contemporary Crystal", Jun. 19, 2006, 1 page.

* cited by examiner

Primary Examiner—Clare E Heflin

(74) *Attorney, Agent, or Firm*—Heslin Rothenberg Farley & Mesiti P.C.

(57) **CLAIM**

The ornamental design for a light fixture, as shown and described.

DESCRIPTION

This application is related to commonly assigned, concurrently filed application Ser. No. 29/269,131, the disclosure of which is hereby incorporated by reference herein.

FIG. 1 is an isometric view of the light fixture of the present invention;

FIG. 2 is a top plan view thereof;

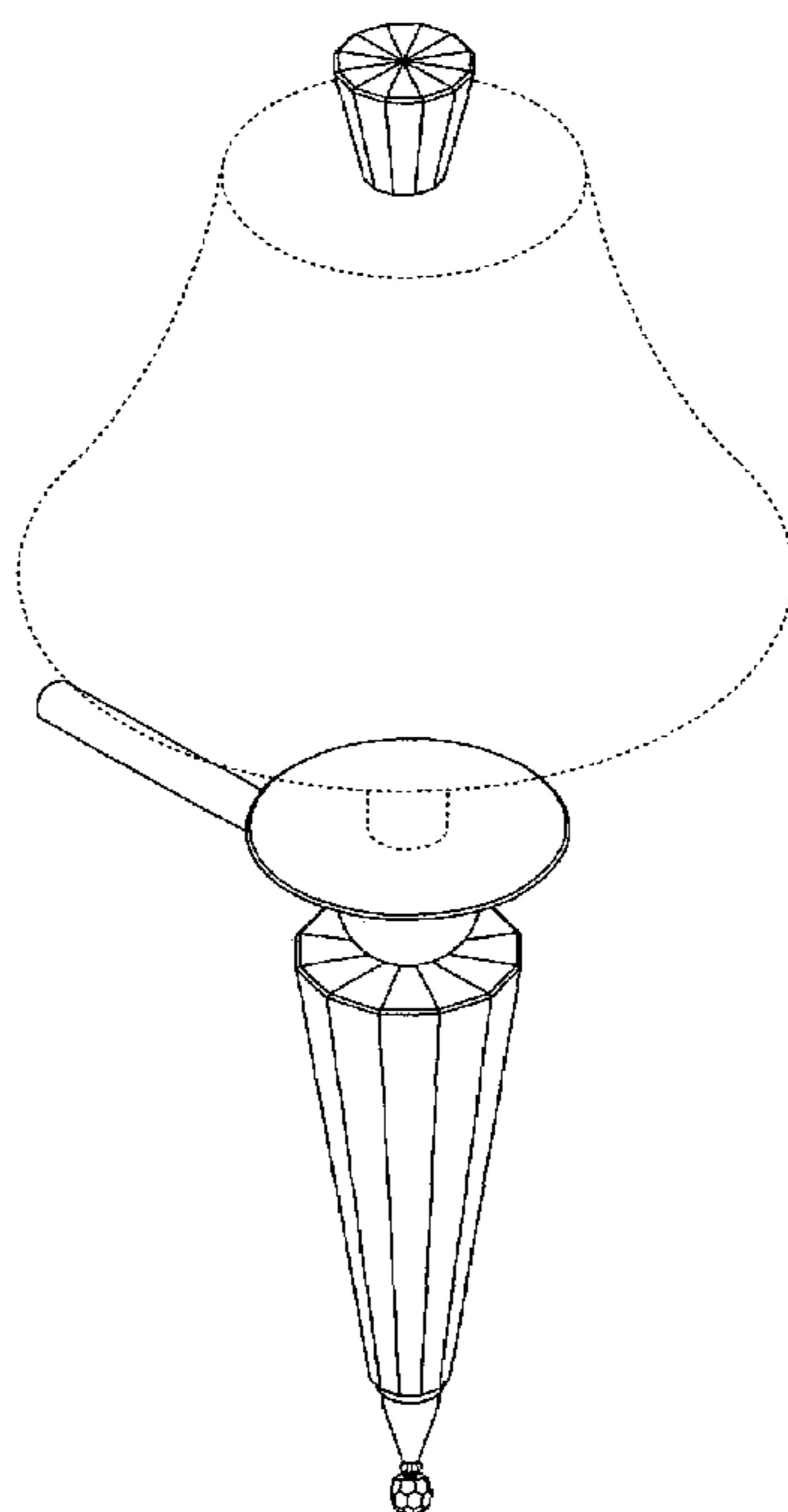
FIG. 3 is a right-side elevation view thereof, the left-side elevation view being a mirror image thereof;

FIG. 4 is a front elevation view thereof; and,

FIG. 5 is a bottom plan view thereof.

The broken line showing is for illustrative purposes only and forms no part of the claimed invention.

1 Claim, 5 Drawing Sheets



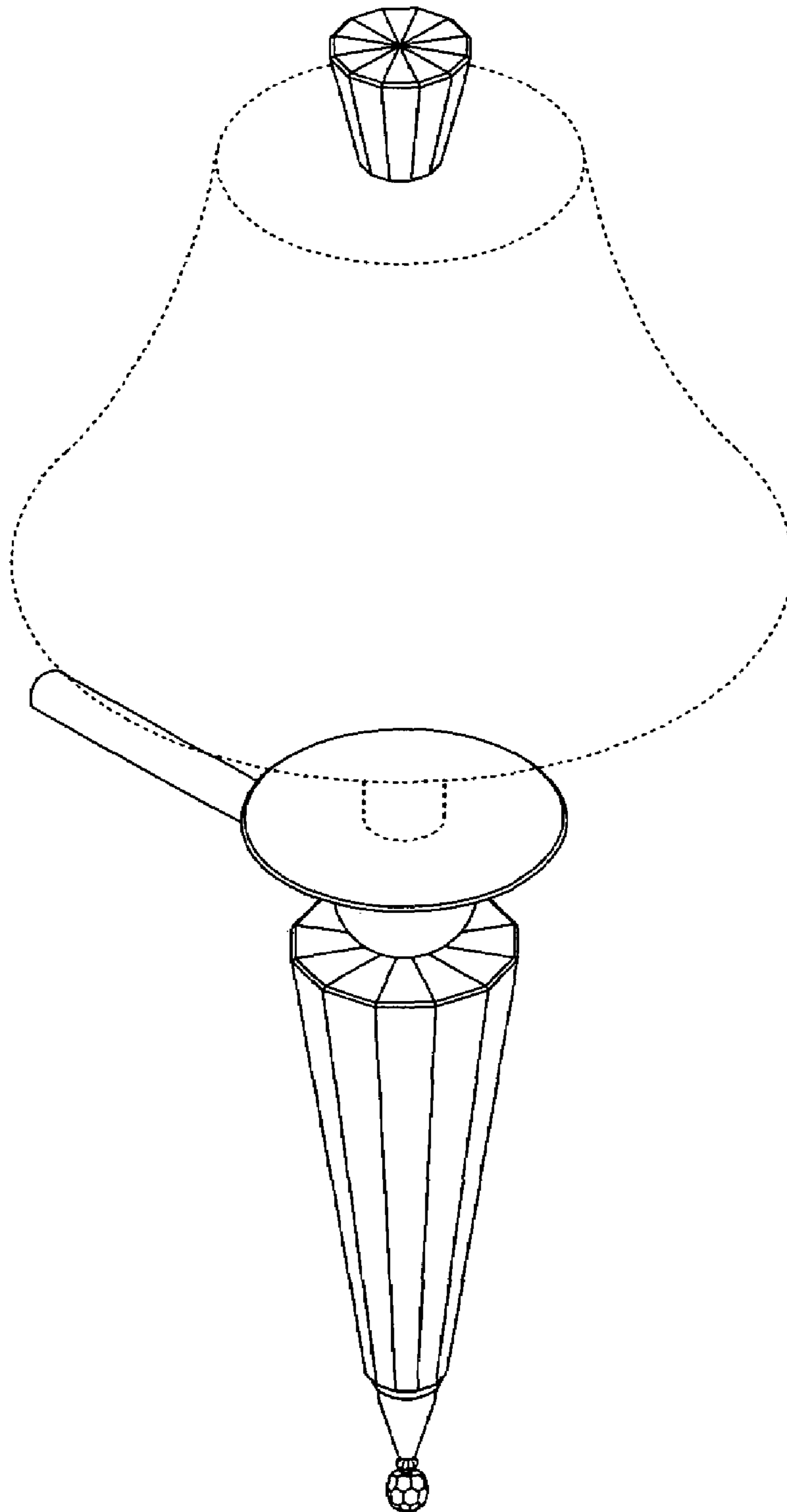


FIG. 1

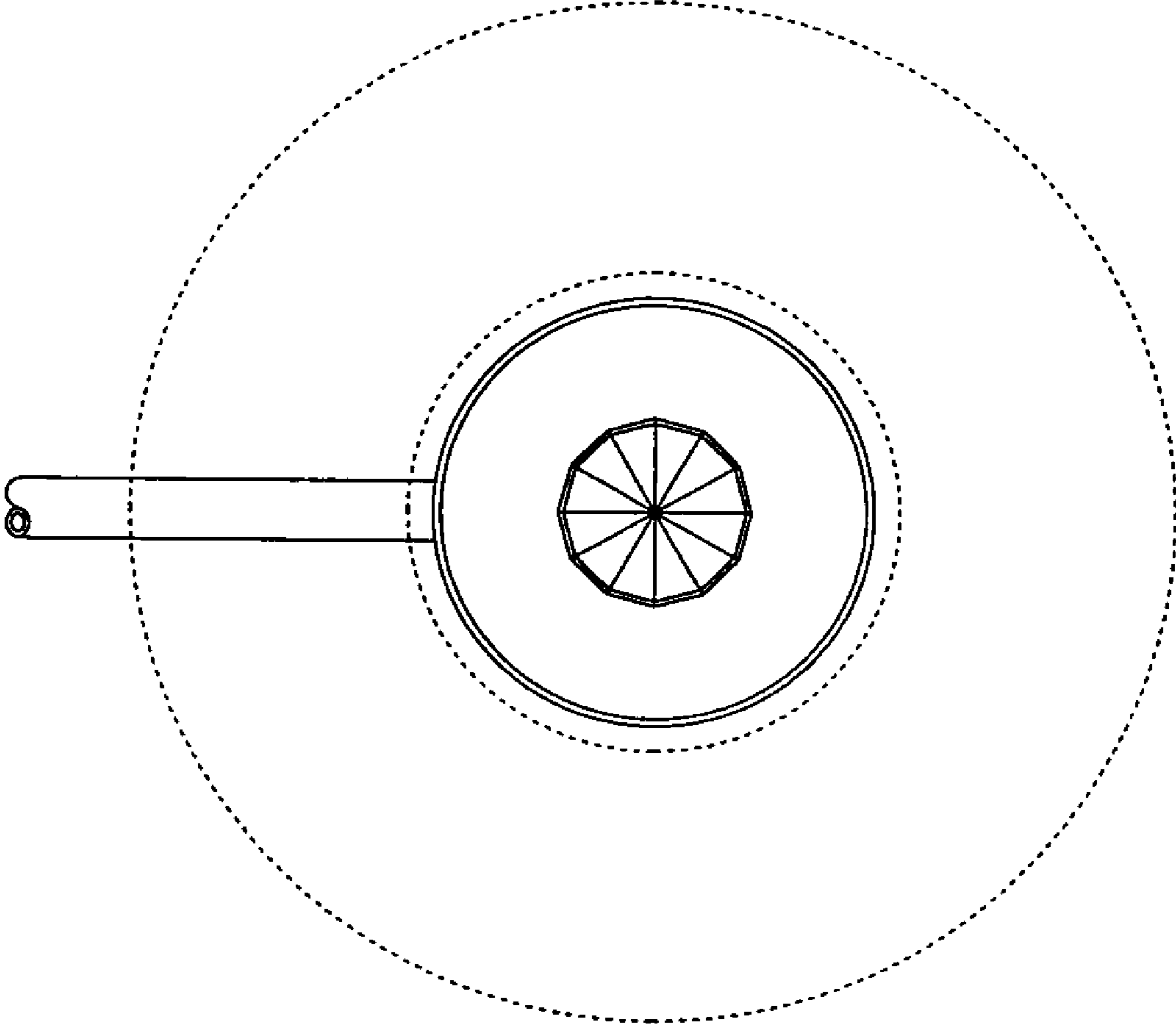


FIG. 2

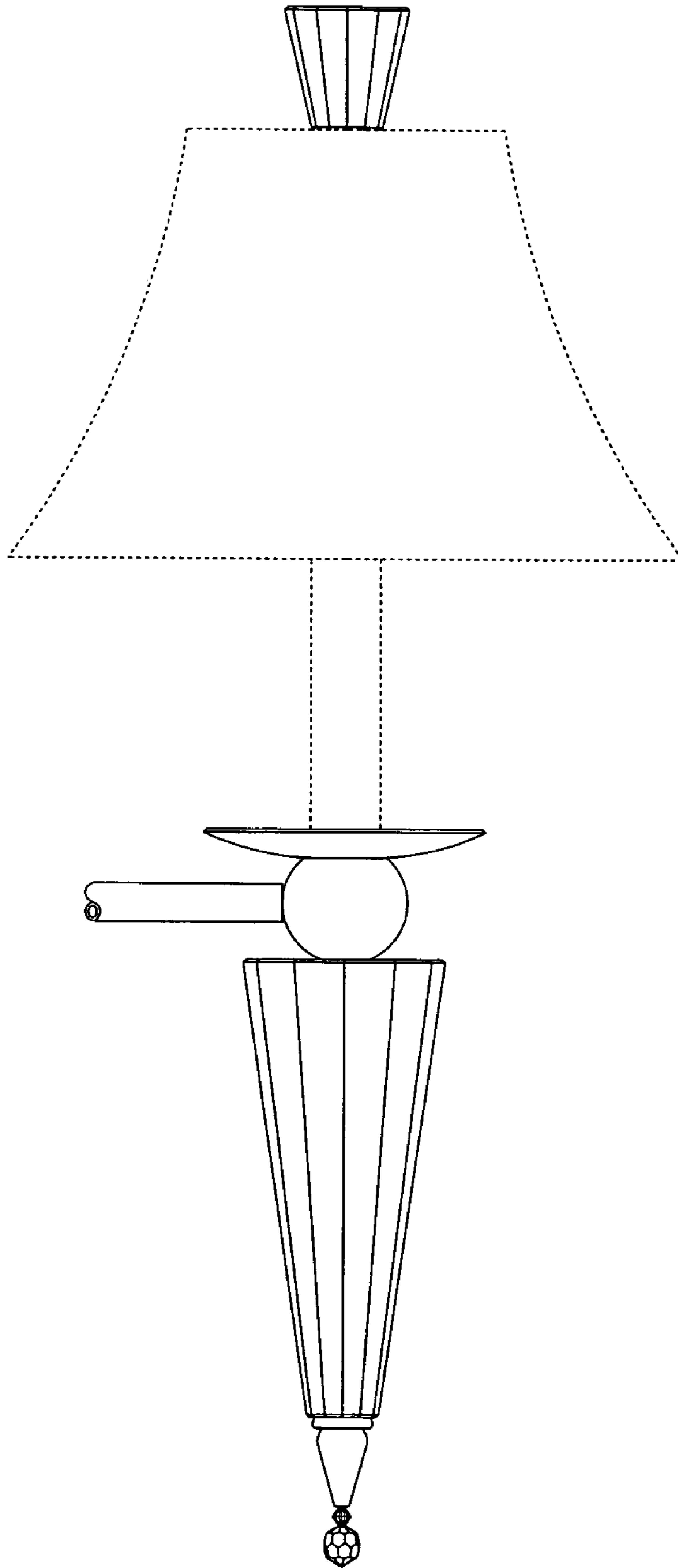


FIG. 3

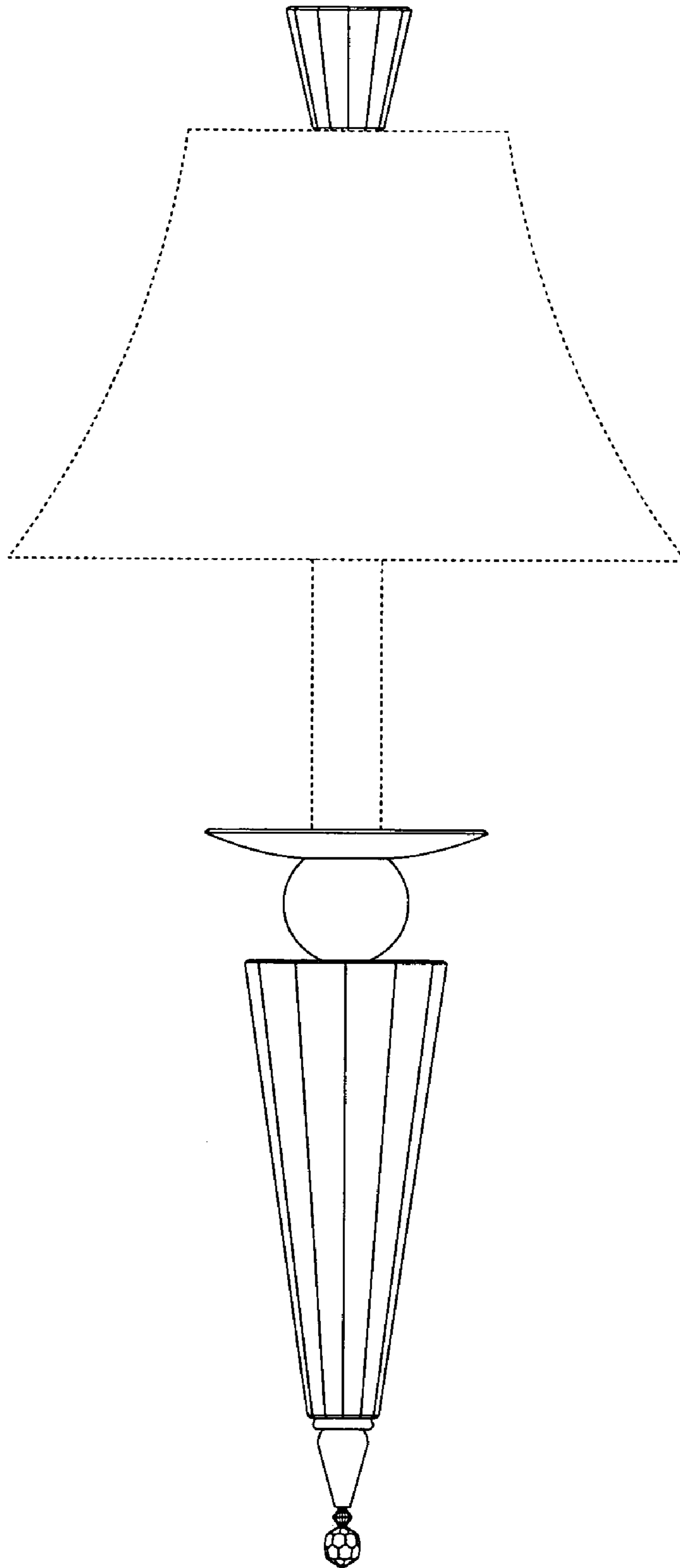


FIG. 4

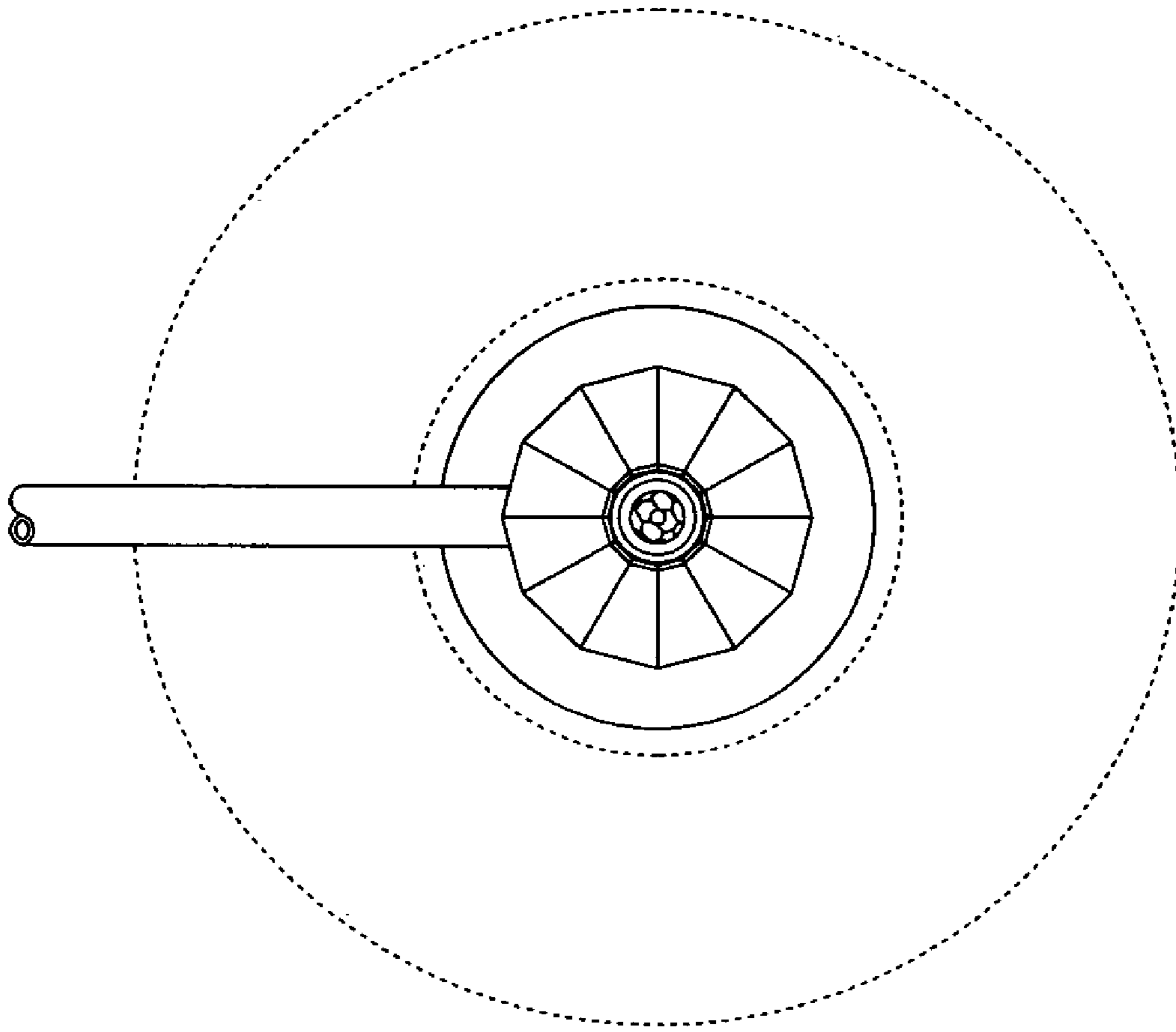


FIG. 5