



US00D556359S

(12) **United States Design Patent**
Cunius

(10) **Patent No.:** **US D556,359 S**

(45) **Date of Patent:** **** Nov. 27, 2007**

(54) **CORNER MOUNT LIGHT FIXTURE**

(75) Inventor: **Jeff R. Cunius**, Ontario, CA (US)

(73) Assignee: **Troy-CSL Lighting, Inc.**, City of Industry, CA (US)

(**) Term: **14 Years**

(21) Appl. No.: **29/260,876**

(22) Filed: **Jun. 2, 2006**

(51) **LOC (8) Cl.** **26-03**

(52) **U.S. Cl.** **D26/76; D26/75**

(58) **Field of Classification Search** D26/72,
D26/74-79; 362/217-225, 283, 147, 363
See application file for complete search history.

(56) **References Cited**

U.S. PATENT DOCUMENTS

D127,823	S	*	6/1941	Biller	D26/78
D130,059	S	*	10/1941	Herr	D26/78
D163,762	S	*	6/1951	McCann	D26/76
D177,232	S	*	3/1956	Harling	D26/24
3,069,537	A	*	12/1962	Dayton et al.	362/222
D206,286	S	*	11/1966	Ostyn	D26/76
D280,346	S	*	8/1985	Aspenwall	D26/75
D291,928	S	*	9/1987	Morten	D26/76
D330,269	S	*	10/1992	Hong	D26/76
D348,947	S	*	7/1994	Holcomb	D26/76
D371,858	S	*	7/1996	Waldmann	D26/76
D396,122	S	*	7/1998	Noh	D26/76
D424,230	S	*	5/2000	Noh	D26/76
D438,326	S	*	2/2001	Kan	D26/76
D451,228	S	*	11/2001	Poon	D26/76
6,382,817	B1	*	5/2002	Chelf	362/322
D496,486	S	*	9/2004	Kan	D26/76
D498,867	S	*	11/2004	Keller	D26/78
D502,565	S	*	3/2005	Hetfield	D26/76
D523,165	S	*	6/2006	Schultz	D26/76

* cited by examiner

Primary Examiner—Louis S. Zarfaz

Assistant Examiner—Susan E Krakower

(74) *Attorney, Agent, or Firm*—Law Offices of Natan Epstein

(57) **CLAIM**

The ornamental design for a corner mount light fixture, as shown and described.

DESCRIPTION

FIG. 1 is a perspective front, top and right side view showing my new design for a corner mount light fixture with two lamps;

FIG. 2 is a front elevational view thereof;

FIG. 3 is a top plan view thereof;

FIG. 4 is a bottom plan view thereof;

FIG. 5 is a rear elevational view thereof;

FIG. 6 is a perspective front, top and right side view showing my new design for a corner mount light fixture with three lamps;

FIG. 7 is a front elevational view thereof;

FIG. 8 is a top plan view thereof;

FIG. 9 is a bottom plan view thereof;

FIG. 10 is a rear elevational view thereof;

FIG. 11 is a perspective front, top and right side view showing my new design for a corner mount light fixture with an indeterminate number of lamps;

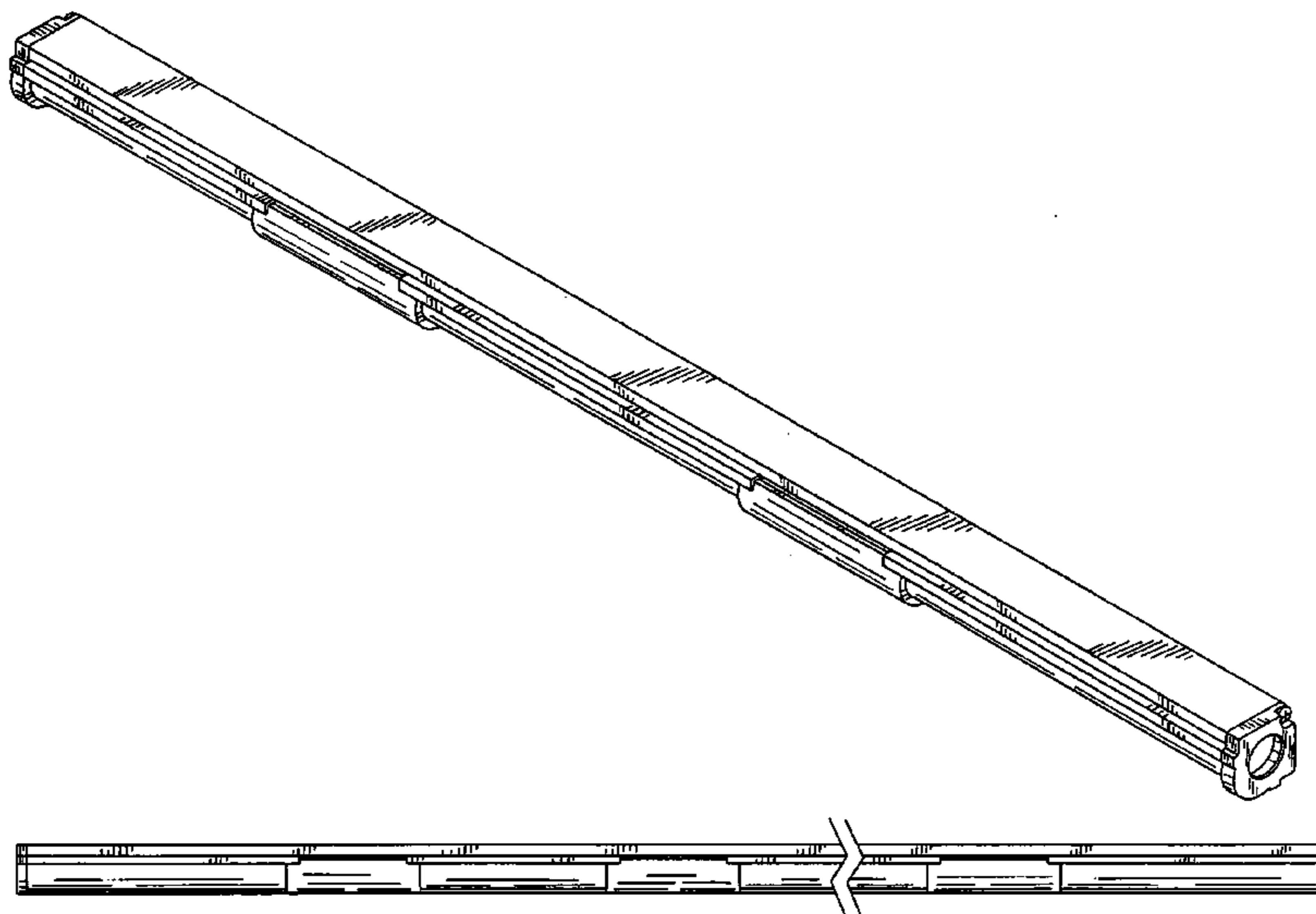
FIG. 12 is a front elevational view thereof;

FIG. 13 is a top plan view thereof;

FIG. 14 is a bottom plan view thereof; and,

FIG. 15 is a rear elevational view thereof.

1 Claim, 7 Drawing Sheets



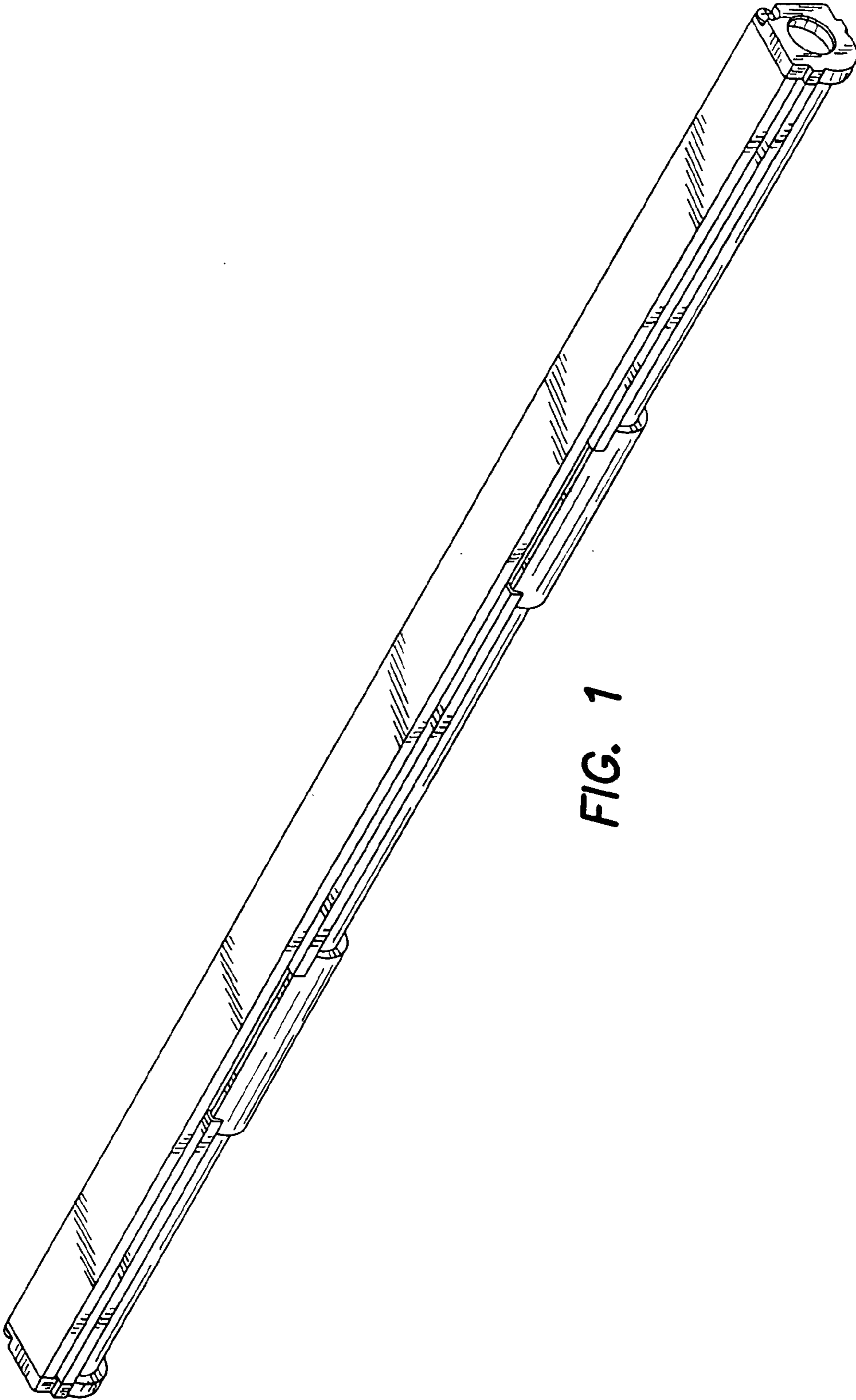


FIG. 1



FIG. 2

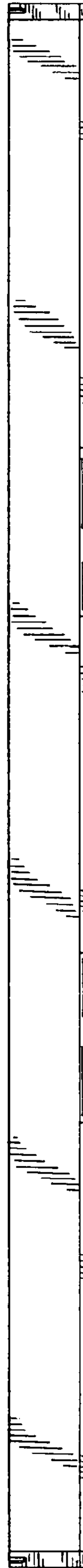


FIG. 3

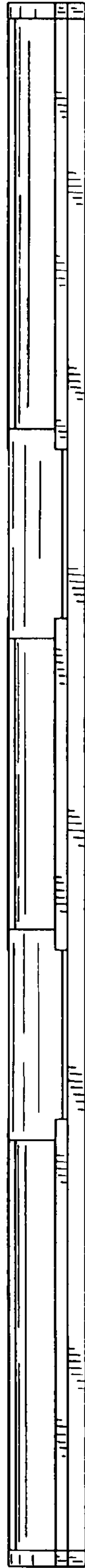


FIG. 4

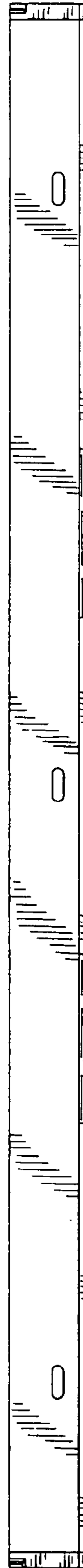


FIG. 5

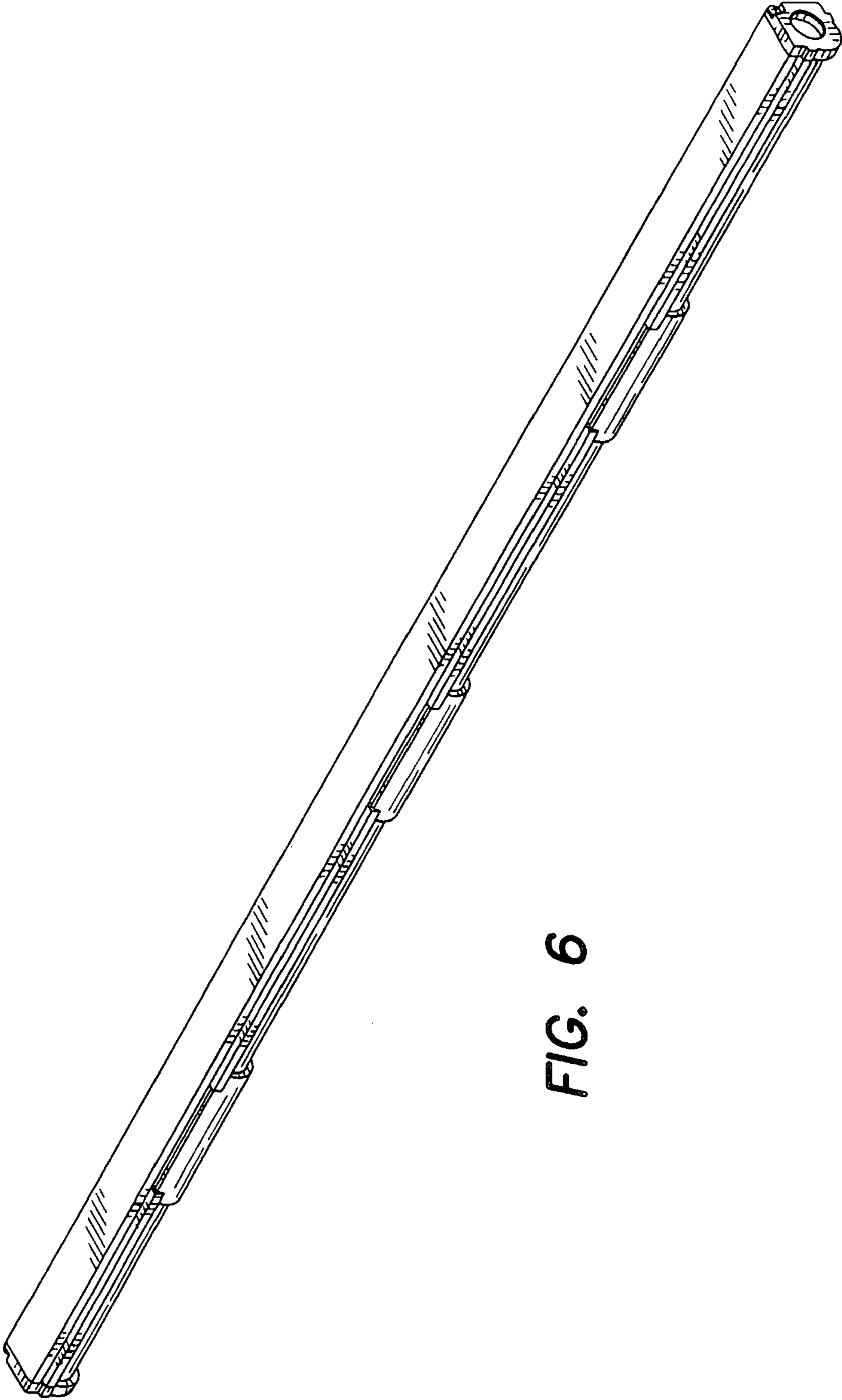


FIG. 6

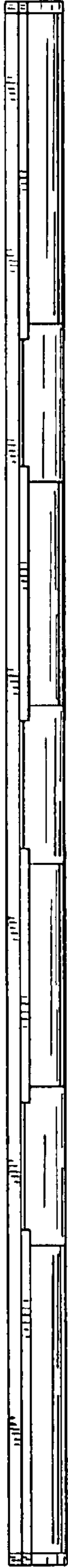


FIG. 7

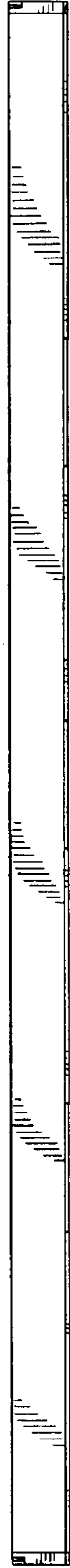


FIG. 8



FIG. 9



FIG. 10

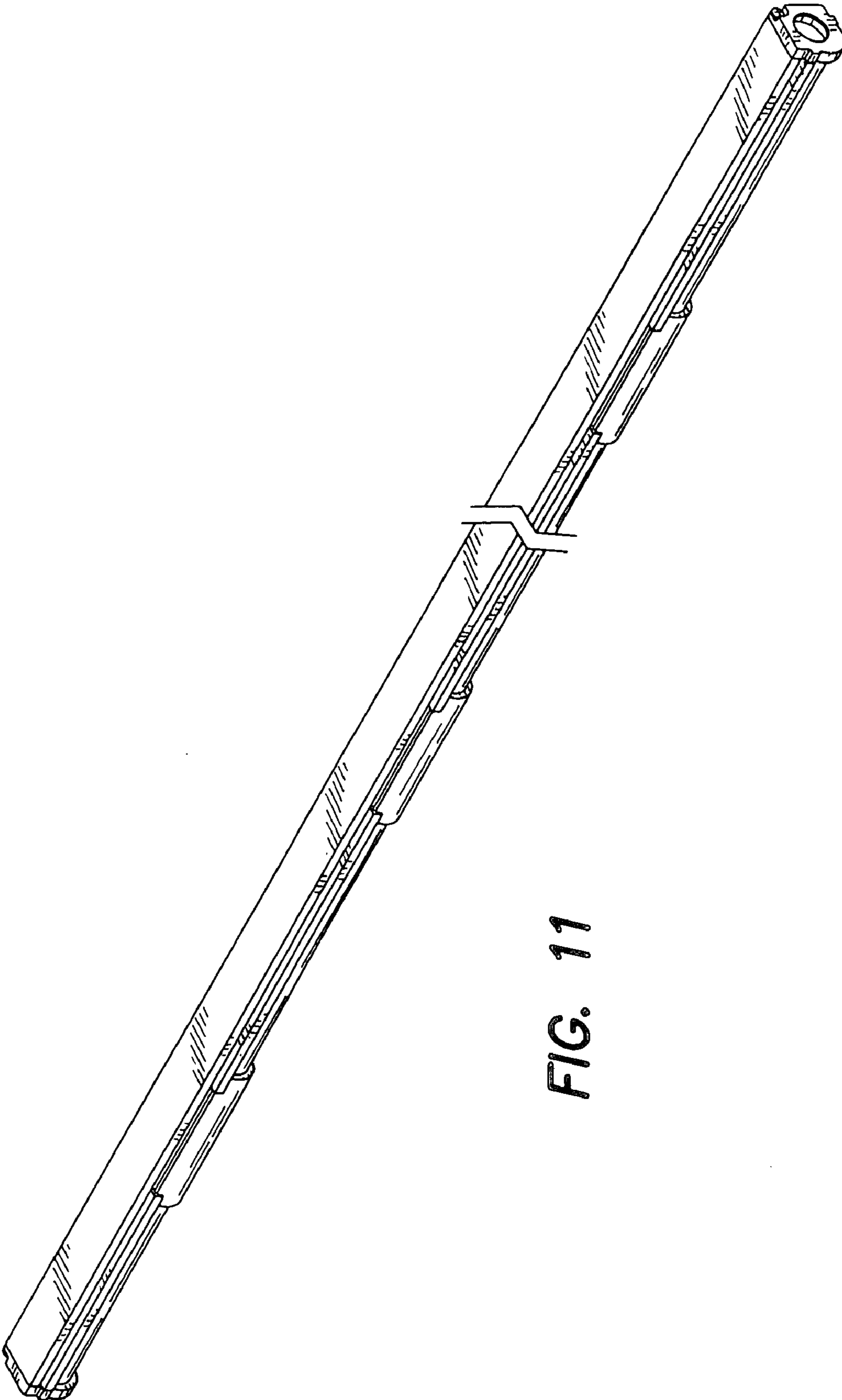


FIG. 11

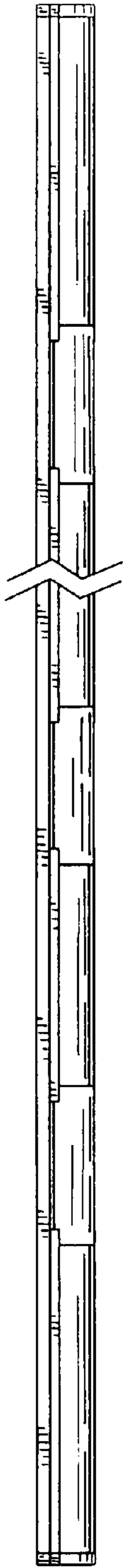


FIG. 12

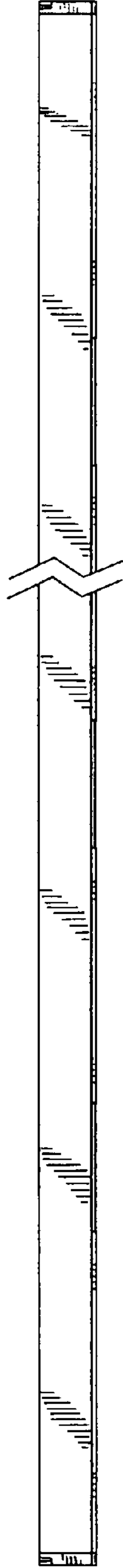


FIG. 13

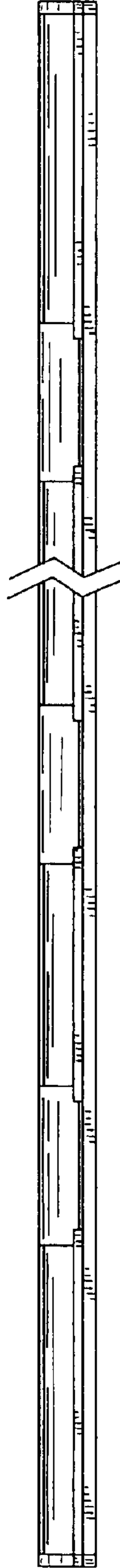


FIG. 14

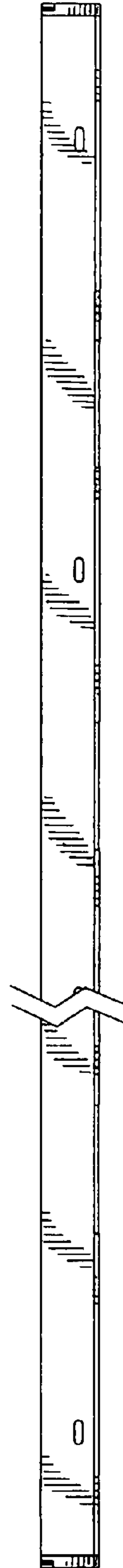


FIG. 15