



US00D556357S

(12) **United States Design Patent**
Butler et al.

(10) **Patent No.:** **US D556,357 S**

(45) **Date of Patent:** **** Nov. 27, 2007**

(54) **OUTDOOR LUMINAIRE**

(75) Inventors: **Doyle Scott Butler**, Dunwoody, GA (US); **J. Michael Lay**, Cumming, GA (US)

(73) Assignee: **Acuity Brands, Inc.**, Atlanta, GA (US)

(**) Term: **14 Years**

(21) Appl. No.: **29/253,122**

(22) Filed: **Feb. 1, 2006**

(51) **LOC (8) Cl.** **26-05**

(52) **U.S. Cl.** **D26/71**

(58) **Field of Classification Search** D26/67,
D26/68, 70, 71, 87, 92; 362/147, 370, 431
See application file for complete search history.

(56) **References Cited**

U.S. PATENT DOCUMENTS

2,673,282	A *	3/1954	D'Incerti	362/8
3,108,751	A *	10/1963	Rodmaker et al.	362/427
D199,327	S *	10/1964	Guth, Jr.	D26/72
D228,361	S	9/1973	Burns et al.	D48/31
D233,167	S *	10/1974	Gore et al.	D26/71
D236,909	S	9/1975	Richilano	D48/31
D264,135	S	4/1982	Zwillich et al.	D26/71
D266,958	S *	11/1982	Gernhardt	D26/92
D294,397	S	2/1988	Ewing et al.	D26/71
D294,647	S	3/1988	Ewing et al.	D26/71
D295,328	S	4/1988	Ewing et al.	D26/71
D304,860	S	11/1989	O'Donoughue et al.	D26/67
D321,950	S *	11/1991	Enthoven	D26/92
D354,578	S *	1/1995	Houssin et al.	D26/63
D360,047	S	7/1995	Zimmerman et al.	D26/67
D363,566	S	10/1995	Osteen	D26/67
D381,106	S	7/1997	Brohard et al.	D26/67

(Continued)

Primary Examiner—Clare E Heflin

(74) *Attorney, Agent, or Firm*—Needle & Rosenberg, P.C.

(57) **CLAIM**

The ornamental design for an outdoor luminaire, as shown and described.

DESCRIPTION

FIG. 1 is a side perspective view of an outdoor luminaire of the present invention;

FIG. 2 is a left side elevational view of the outdoor luminaire of FIG. 1;

FIG. 3 is a right side elevational view of the outdoor luminaire of FIG. 1;

FIG. 4 is a front elevational view of the outdoor luminaire of FIG. 1;

FIG. 5 is a rear elevational view of the outdoor luminaire of FIG. 1;

FIG. 6 is a top plan view of the outdoor luminaire of FIG. 1;

FIG. 7 is a bottom plan view of the outdoor luminaire of FIG. 1;

FIG. 8 is a side elevational view of the outdoor luminaire of FIG. 1, illustrating the invention without a strut for illustrative purposes only;

FIG. 9 is a left side elevational view of the outdoor luminaire of FIG. 8;

FIG. 10 is a right side elevational view of the outdoor luminaire of FIG. 8;

FIG. 11 is a front elevational view of the outdoor luminaire of FIG. 8;

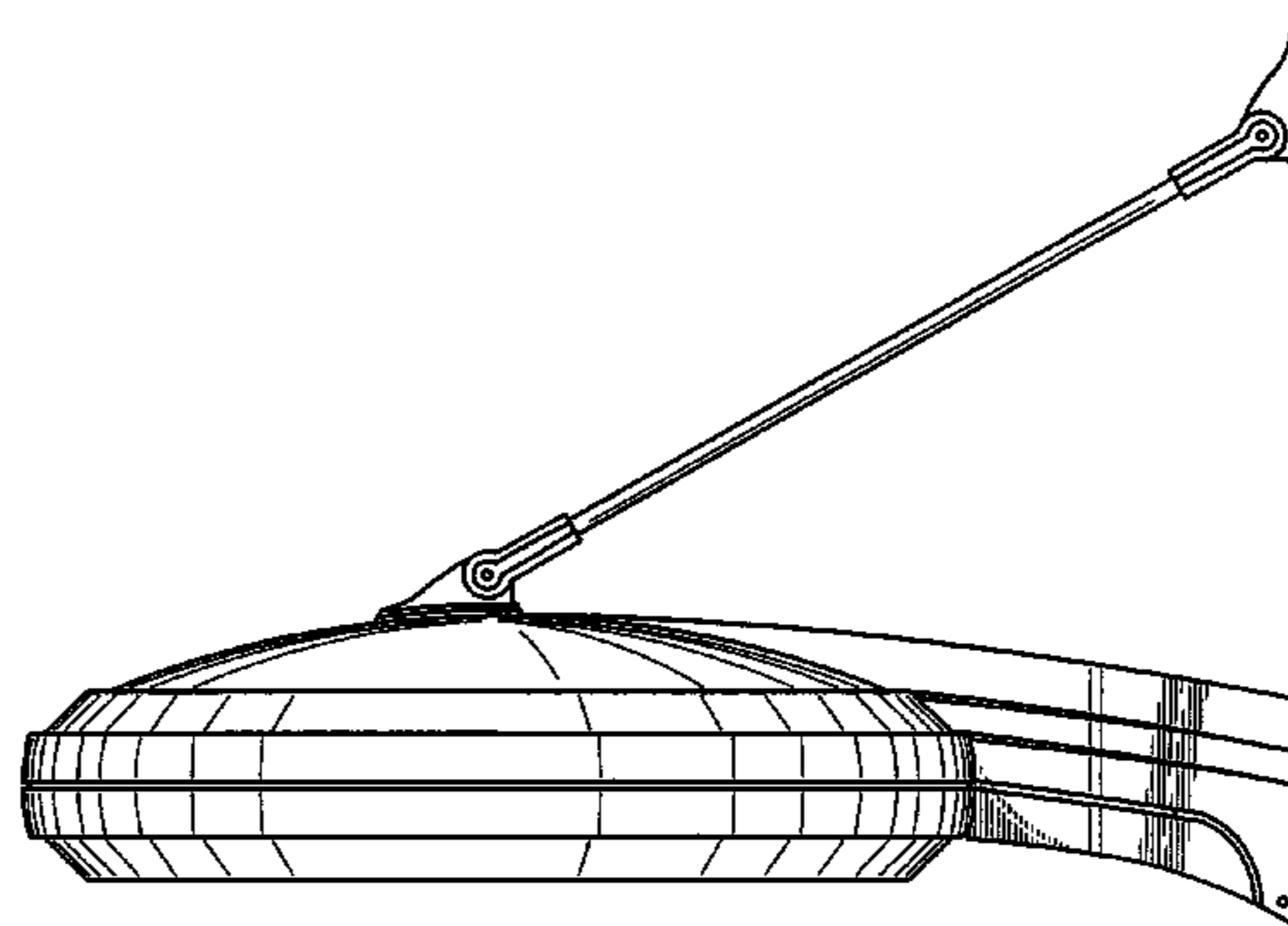
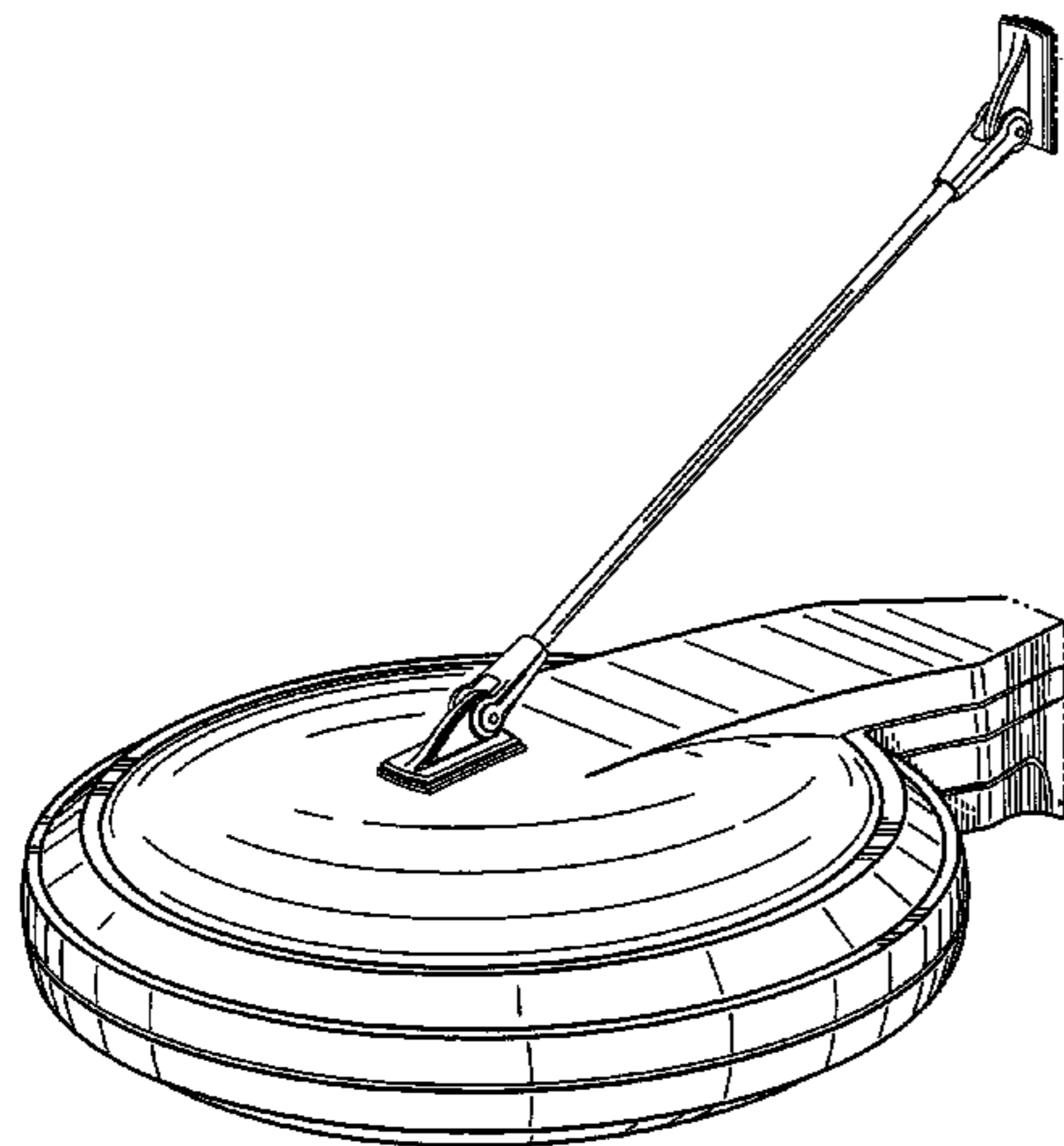
FIG. 12 is a rear elevational view of the outdoor luminaire of FIG. 8;

FIG. 13 is a top plan view of the outdoor luminaire of FIG. 8; and,

FIG. 14 is a bottom plan view of the outdoor luminaire of FIG. 8.

The broken lines shown on the drawings define the bounds of the claimed design and form no part thereof.

1 Claim, 9 Drawing Sheets



US D556,357 S

Page 2

U.S. PATENT DOCUMENTS

D385,642 S	10/1997	Brohard et al.	D26/71	D447,590 S	9/2001	Raouf et al.	D26/71
D385,643 S	10/1997	Brohard et al.	D26/71	D456,926 S *	5/2002	Gaskins et al.	D26/71
D388,212 S	12/1997	Brohard et al.	D26/71	D465,050 S	10/2002	Crelin	D26/85
D391,659 S	3/1998	Gaskins et al.	D26/71	D492,441 S	6/2004	Bradford et al.	D26/92
D417,303 S	11/1999	Rahn	D26/67	D494,302 S	8/2004	Huang	D26/87
D424,229 S	5/2000	Leen	D26/71	D500,569 S	1/2005	Butler	D26/71
D425,647 S	5/2000	Leen	D26/71	D500,885 S	1/2005	Haugaard et al.	D26/155
D428,180 S	7/2000	Orellana et al.	D26/67	D501,057 S	1/2005	Haugaard et al.	D26/71
D432,700 S	10/2000	Avila et al.	D26/87	D501,946 S	2/2005	Haugaard et al.	D26/71
D437,958 S	2/2001	Doron, Jr. et al.	D26/71	D501,947 S	2/2005	Haugaard et al.	D26/71
D439,695 S	3/2001	Compton et al.	D26/87	D502,283 S	2/2005	Haugaard et al.	D26/118
D442,313 S	5/2001	Wojtkowiak et al.	D26/71				

* cited by examiner

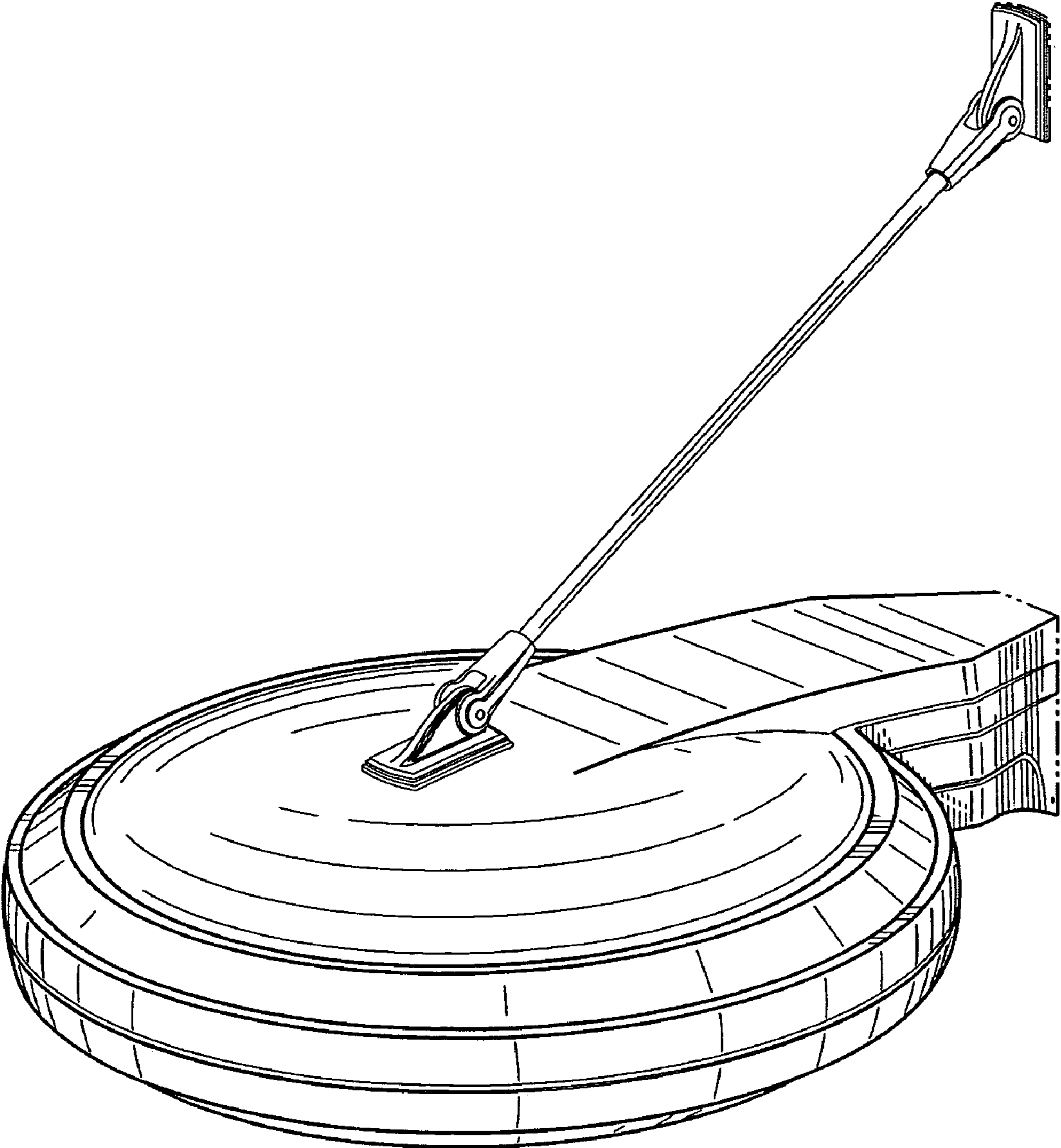


Fig. 1

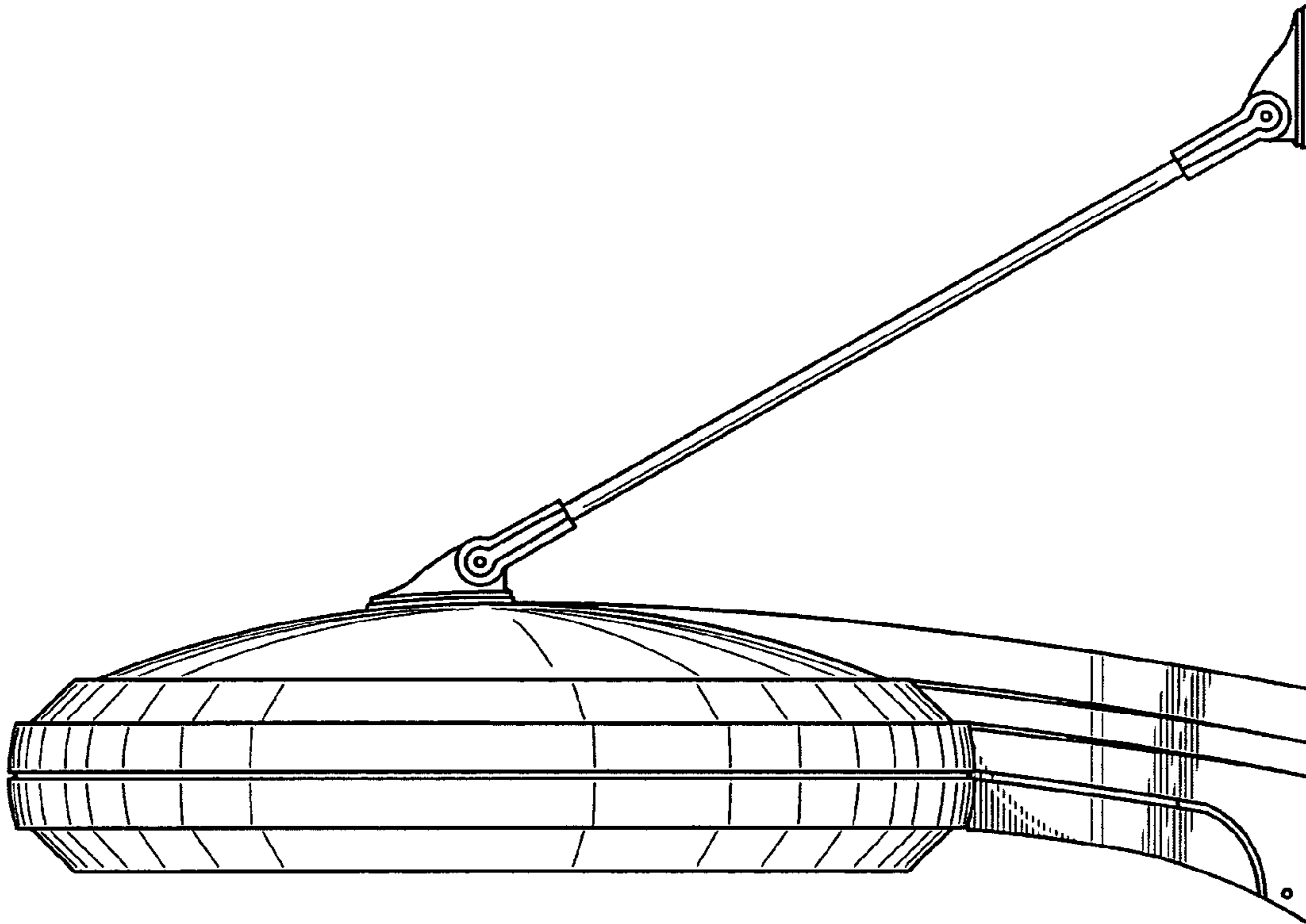


Fig. 2

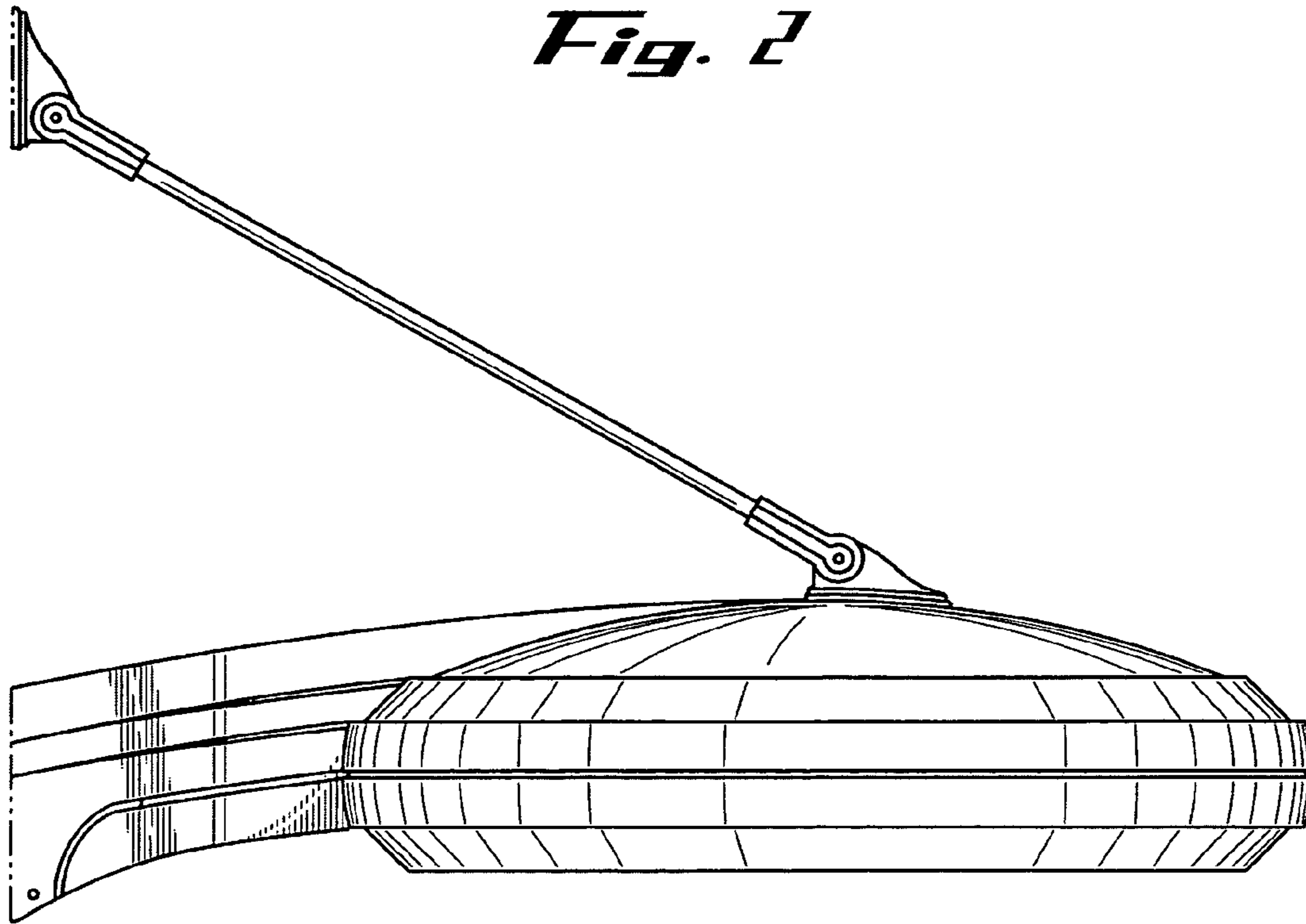


Fig. 3

Fig. 4

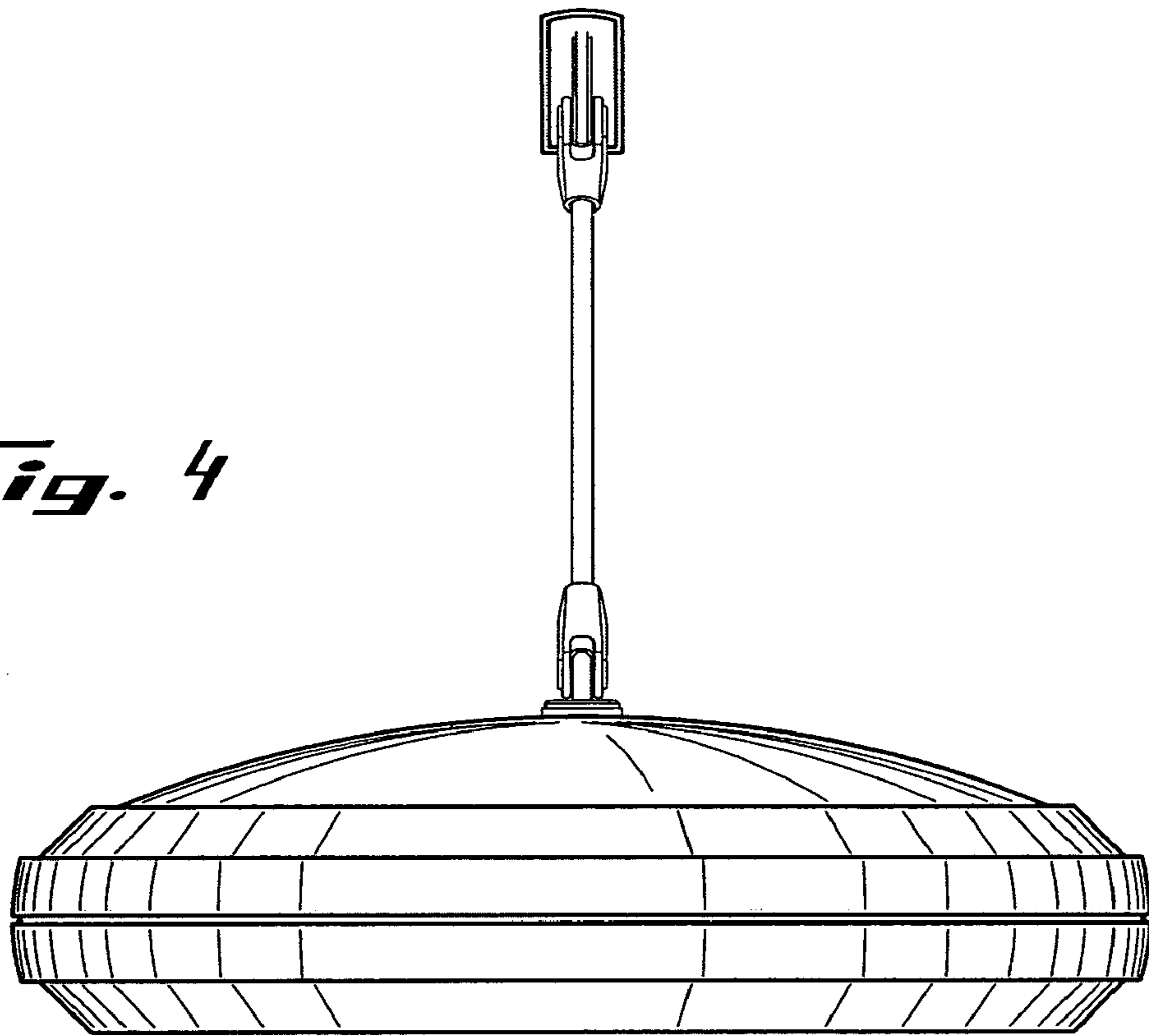
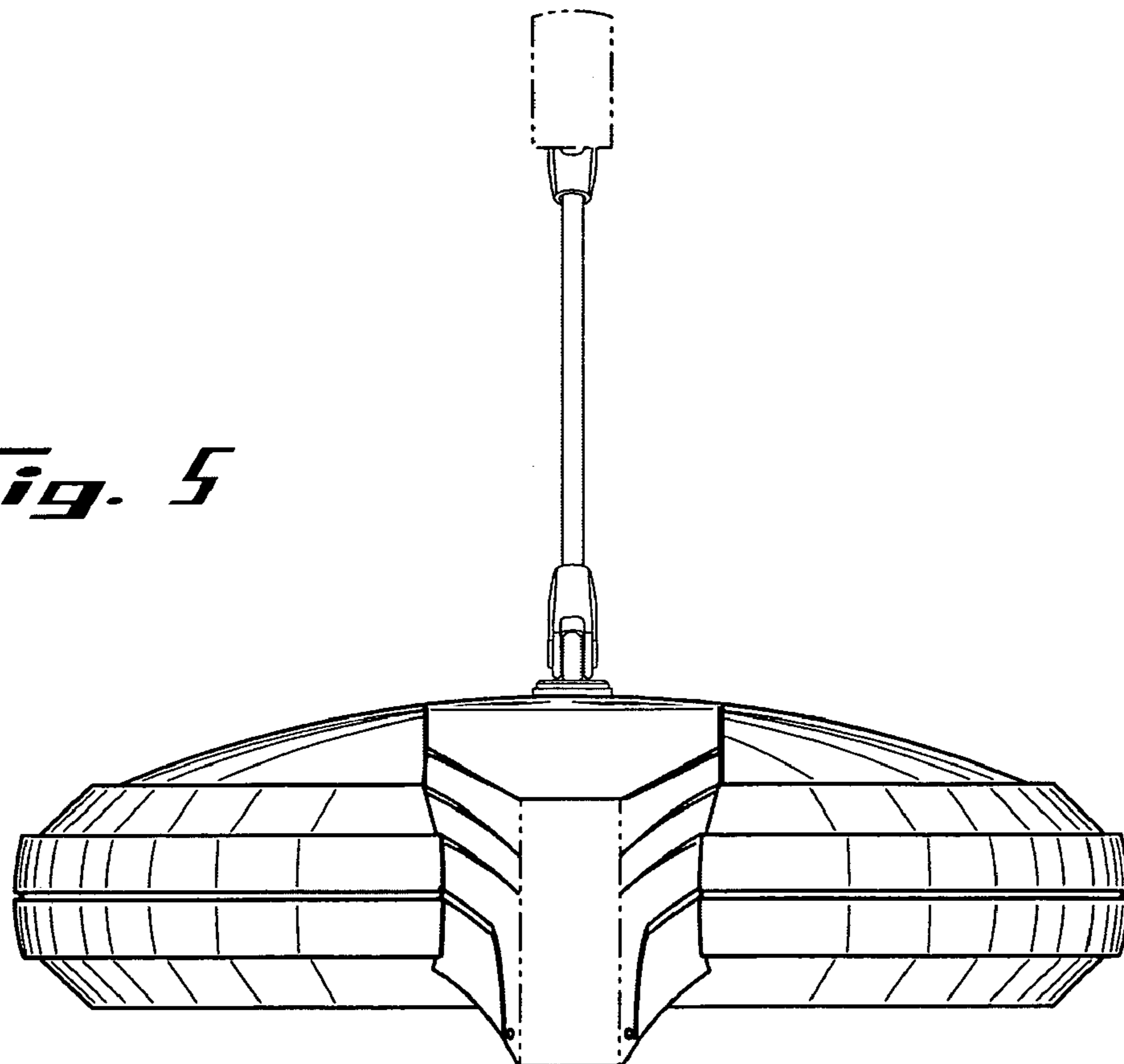


Fig. 5



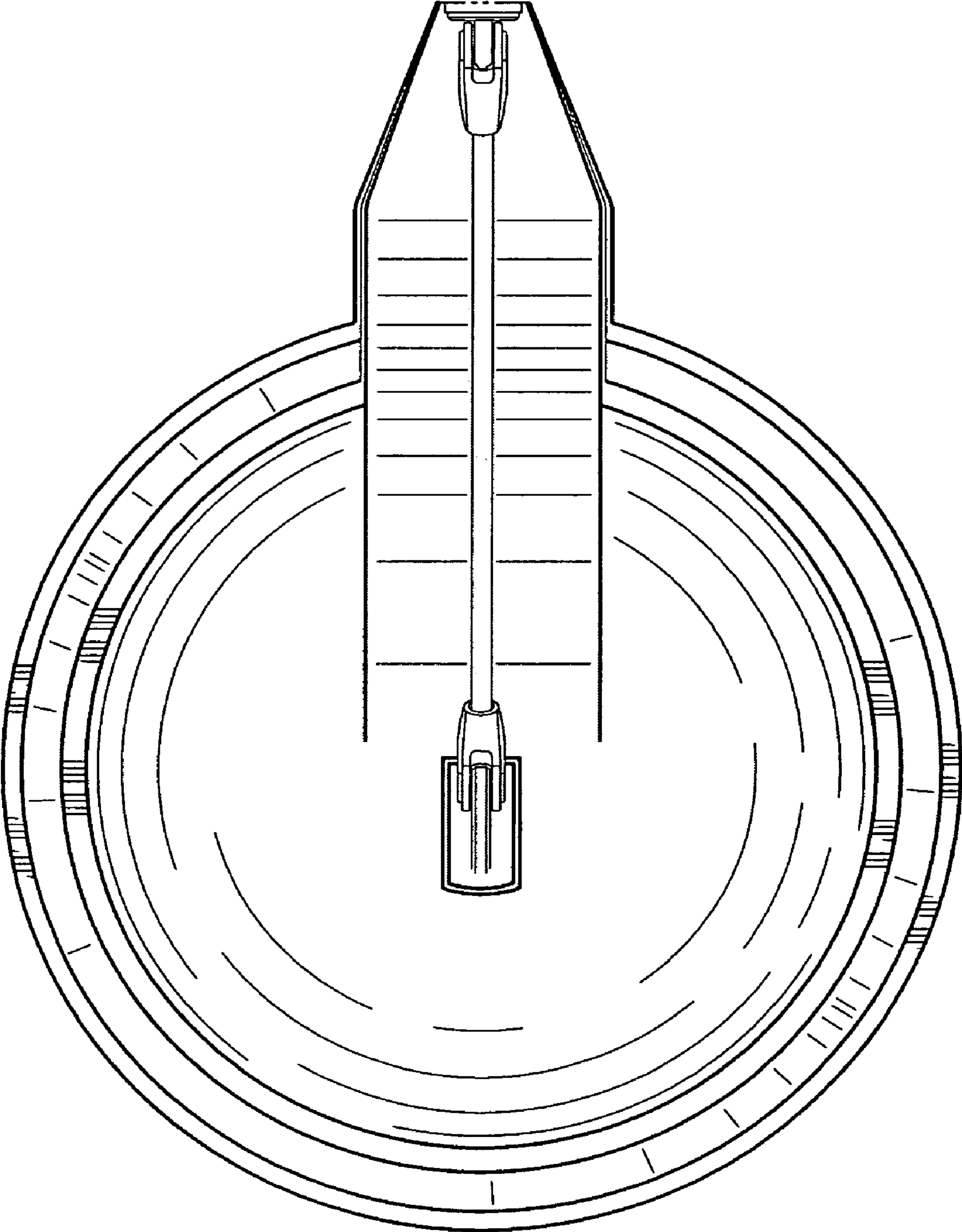


Fig. 6

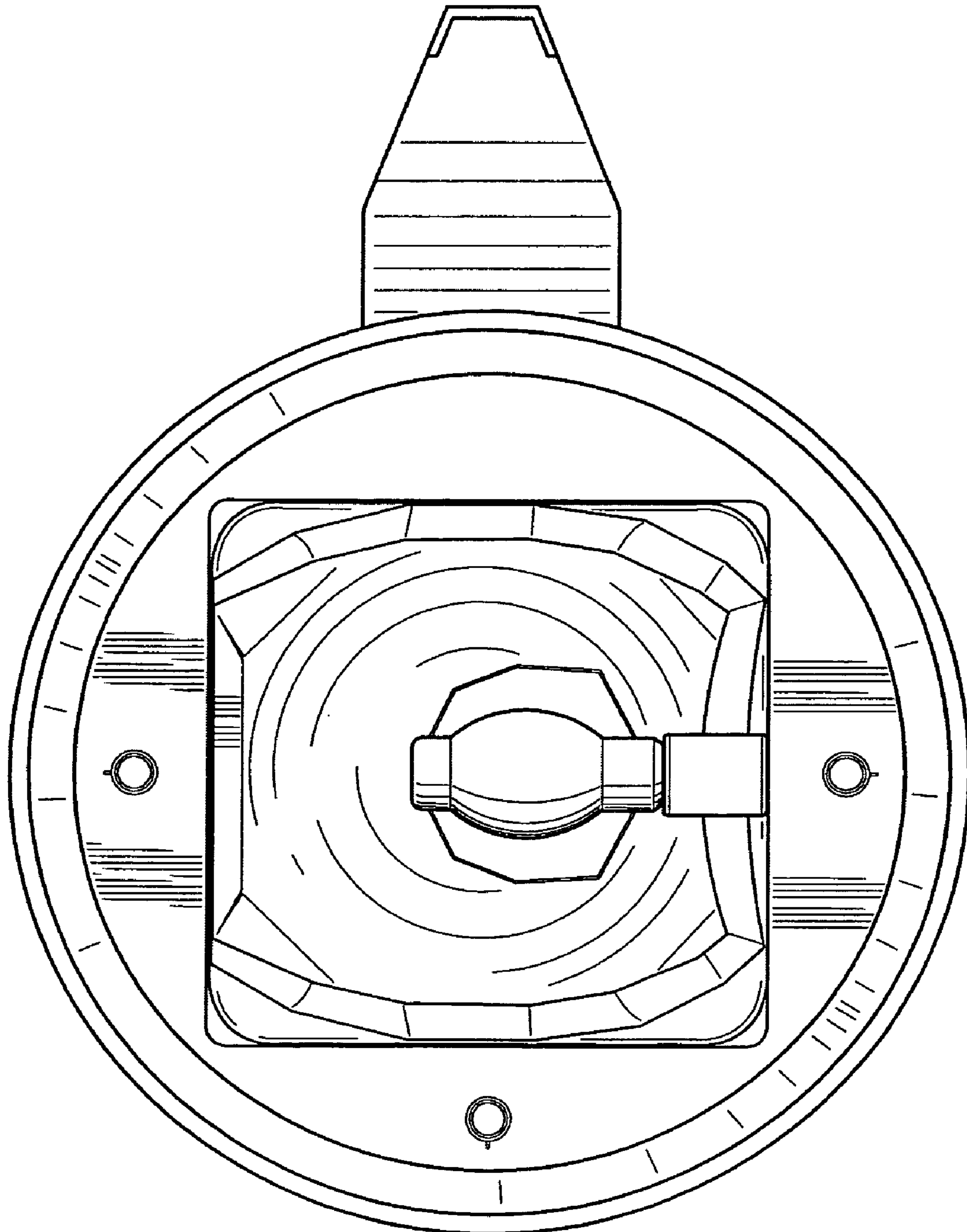


Fig. 1

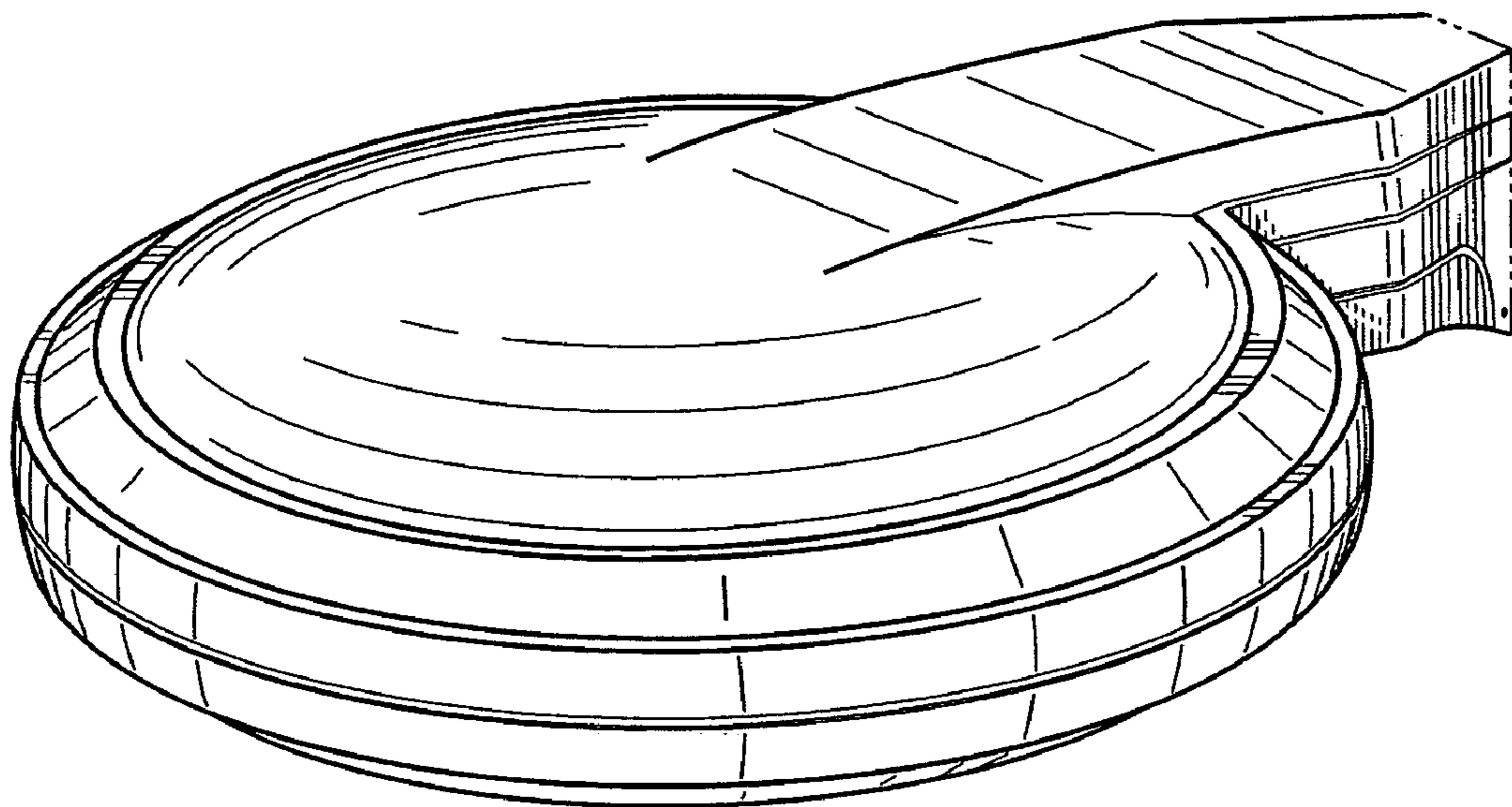


Fig. 8

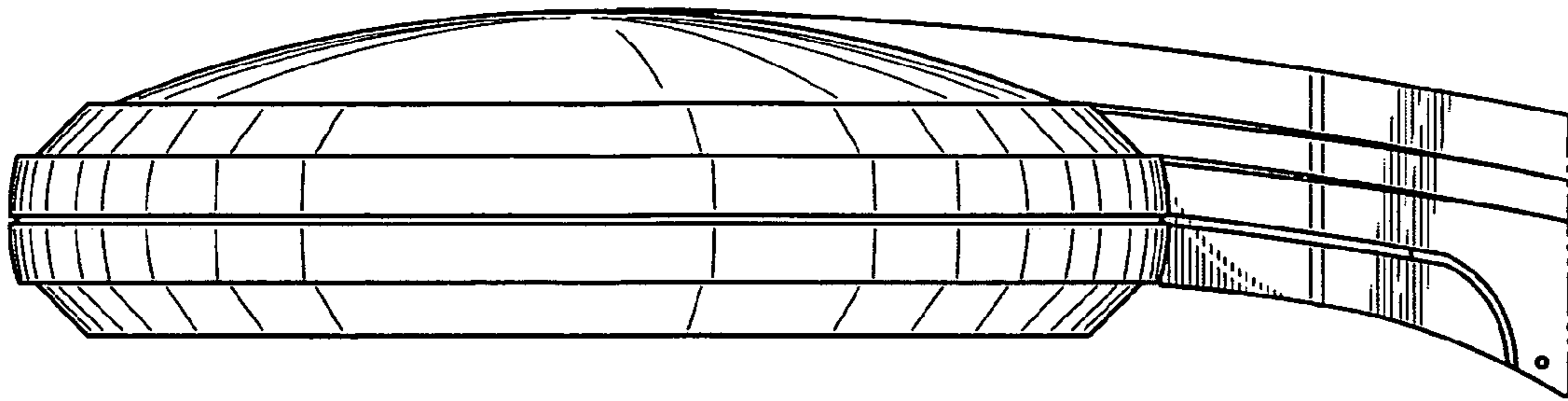


Fig. 9

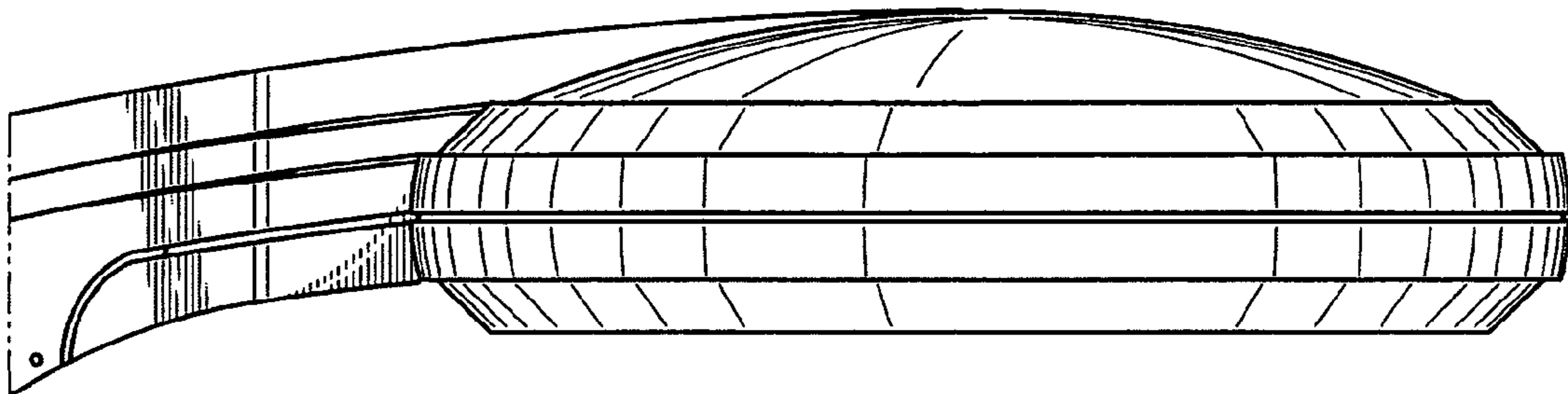


Fig. 10

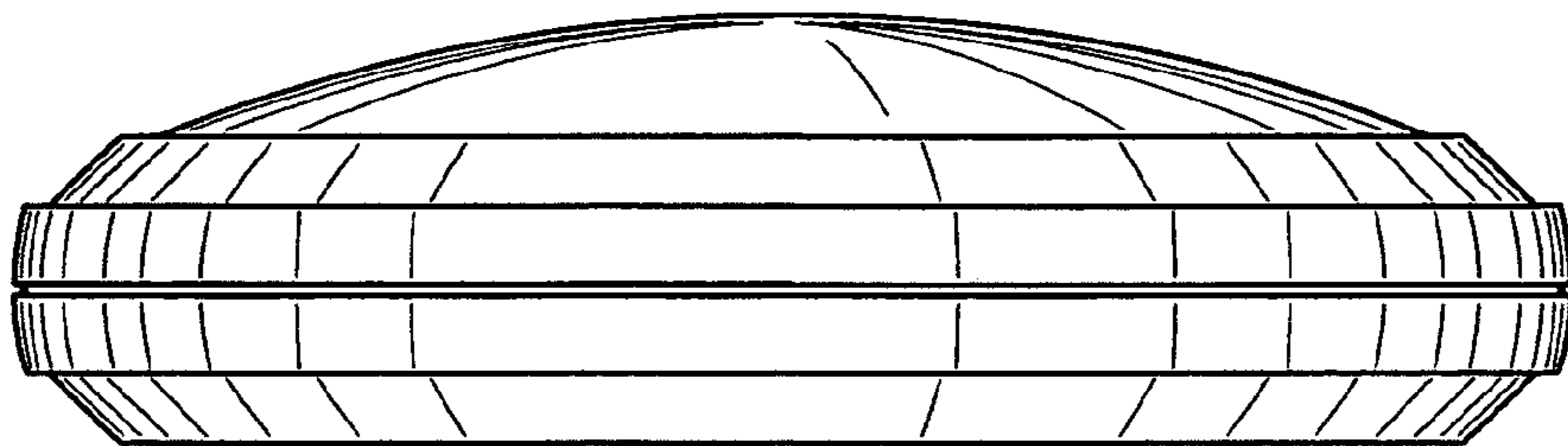


Fig. 11

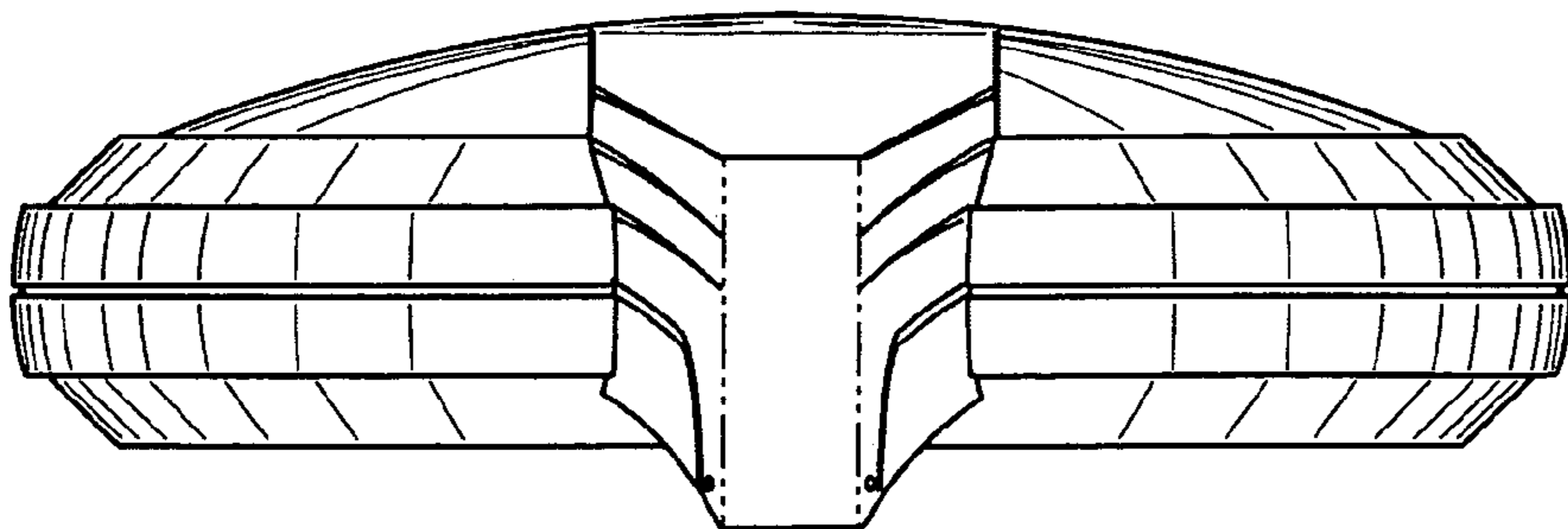


Fig. 12

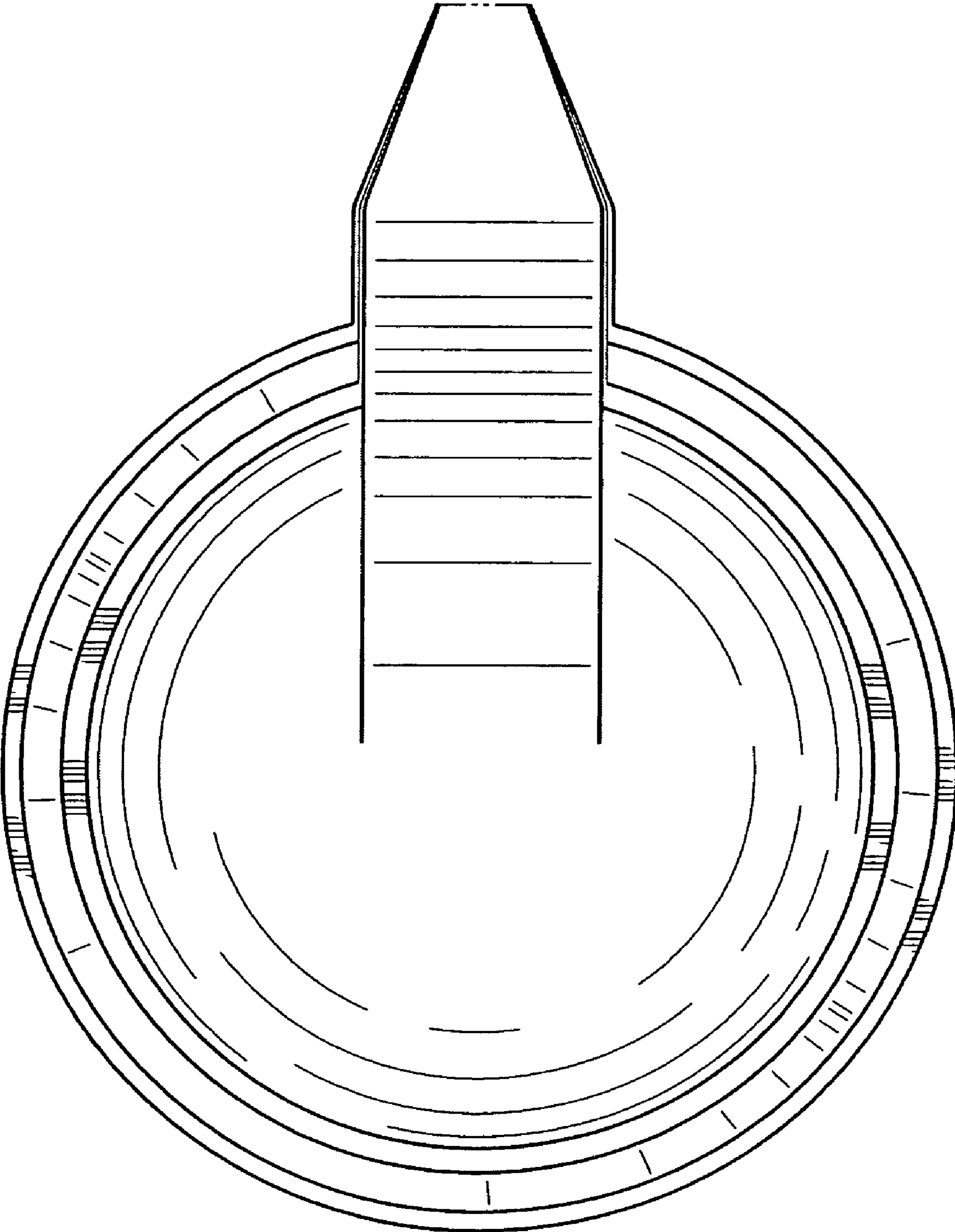


Fig. 13

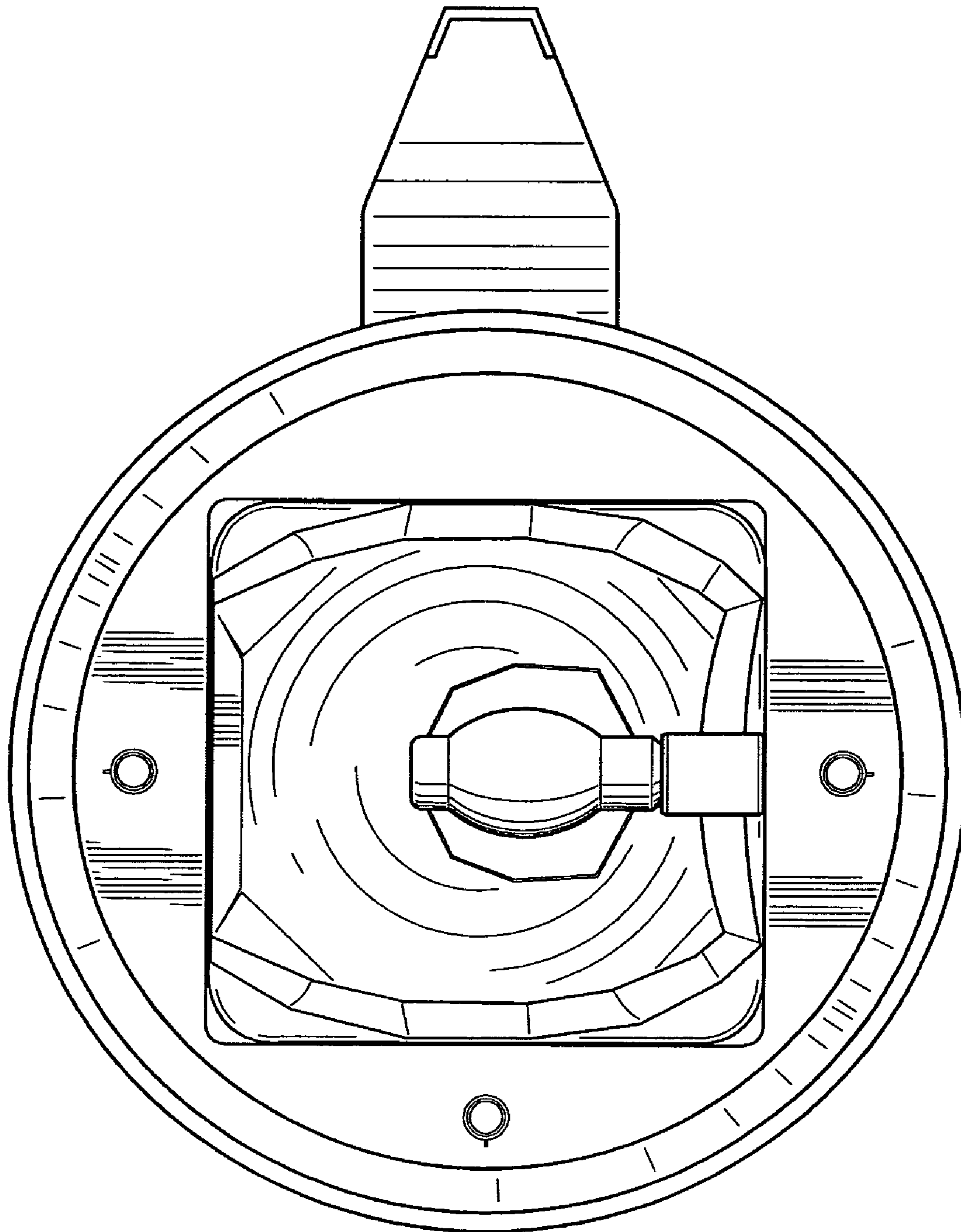


Fig. 14