



US00D556356S

(12) **United States Design Patent**
Chen

(10) **Patent No.:** **US D556,356 S**

(45) **Date of Patent:** **** Nov. 27, 2007**

(54) **LAMP**

(76) Inventor: **Che-Yen Chen**, 5F-7, No. 60,
Chong-An St., Sanchong City, Taipei
County (TW)

(**) Term: **14 Years**

(21) Appl. No.: **29/266,820**

(22) Filed: **Sep. 29, 2006**

(51) **LOC (8) Cl.** **26-05**

(52) **U.S. Cl.** **D26/65**

(58) **Field of Classification Search** D26/60-66,
D26/107; 362/410-414, 418, 427, 269, 275,
362/287, 419, 277, 282, 285, 371, 804
See application file for complete search history.

(56) **References Cited**

U.S. PATENT DOCUMENTS

D187,814 S *	5/1960	Thurston	D26/107
D302,735 S *	8/1989	De Lucchi	D26/65
D310,886 S *	9/1990	Gismondi et al.	D26/65
5,339,233 A *	8/1994	Yang	362/402
D411,638 S *	6/1999	Schaak et al.	D26/62
D419,255 S *	1/2000	Jehs et al.	D26/65
D419,711 S *	1/2000	Jehs et al.	D26/65
D448,879 S *	10/2001	Wang	D26/64

D467,378 S *	12/2002	Wang	D26/65
D487,813 S *	3/2004	Sherman	D26/65
D504,188 S *	4/2005	Chan	D26/66

* cited by examiner

Primary Examiner—Clare E. Heflin

Assistant Examiner—Barbara Fox

(74) *Attorney, Agent, or Firm*—Rosenberg, Klein & Lee

(57) **CLAIM**

The ornamental design for a “lamp,” as shown and described.

DESCRIPTION

FIG. 1 is a perspective view of a “lamp” showing my new design;

FIG. 2 is a front view thereof;

FIG. 3 is a rear view thereof;

FIG. 4 is a left side view thereof;

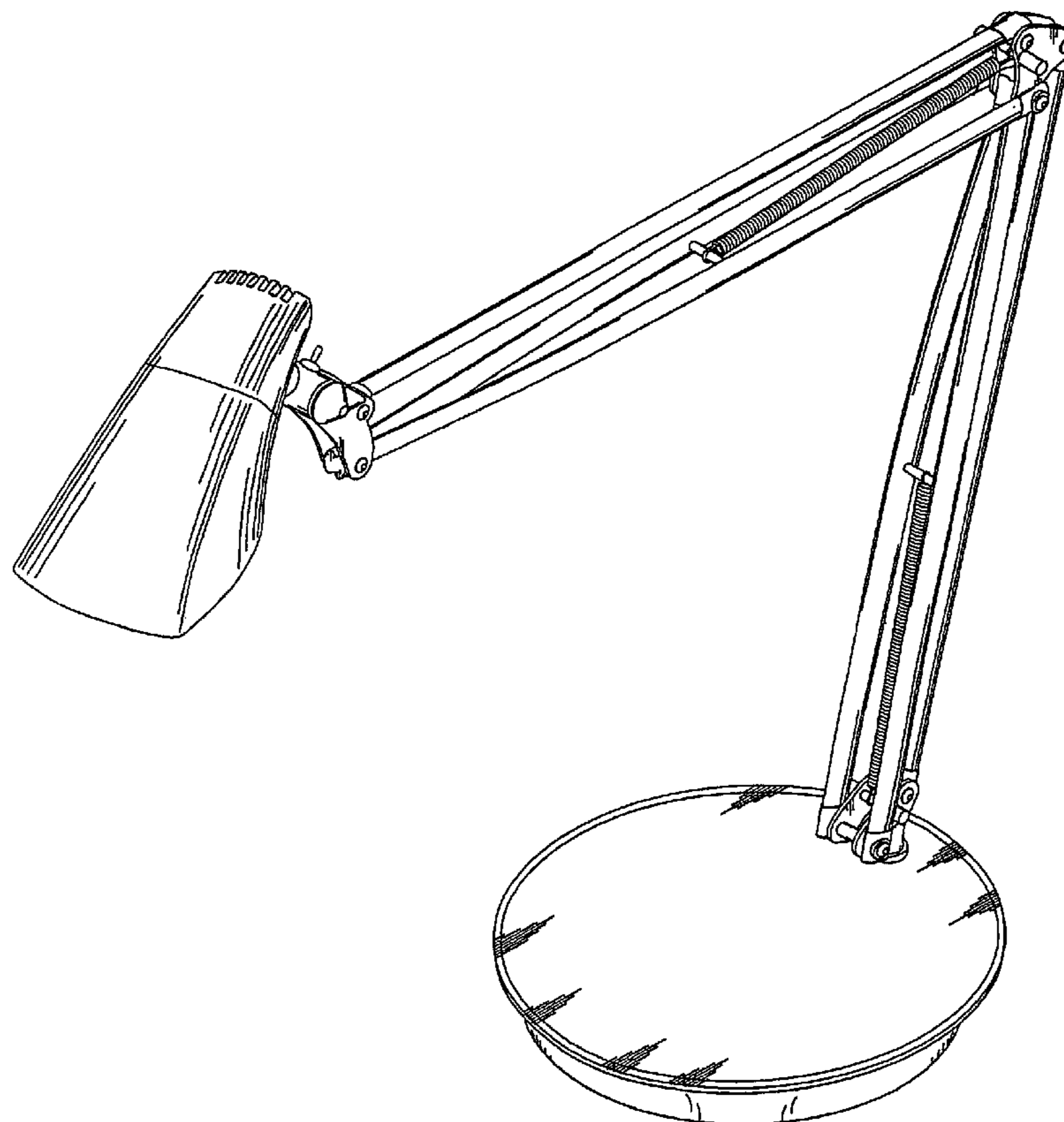
FIG. 5 is a right side view thereof;

FIG. 6 is a top view thereof;

FIG. 7 is a bottom view thereof; and,

FIG. 8 is a perspective view thereof shown in an alternate position of use.

1 Claim, 8 Drawing Sheets



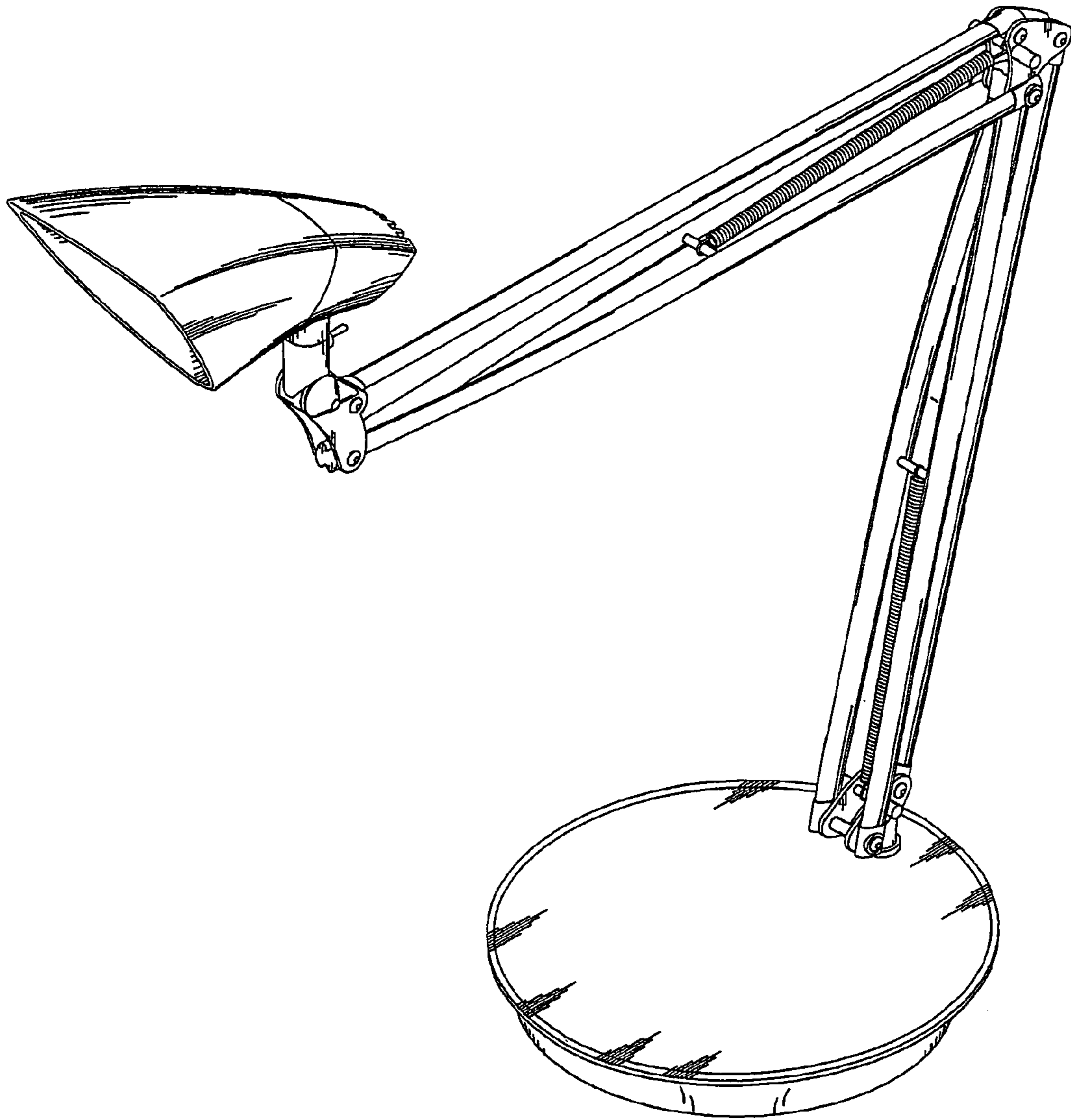


FIG. 1

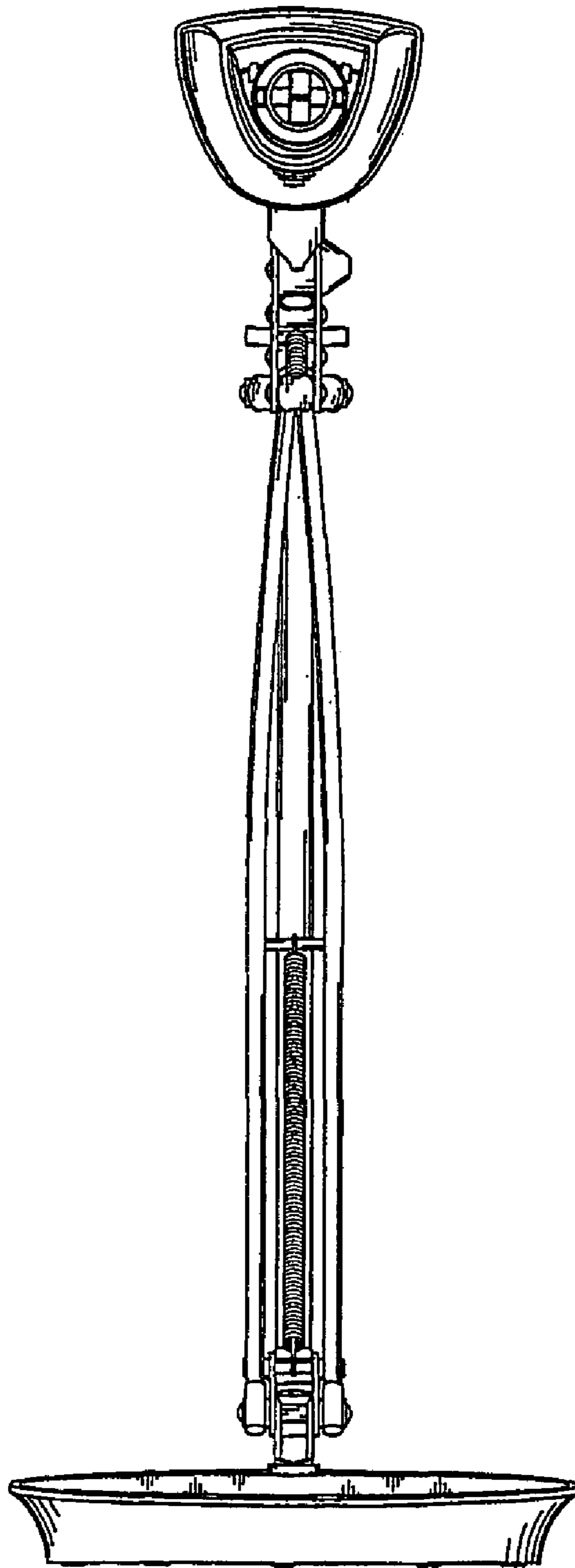


FIG. 2

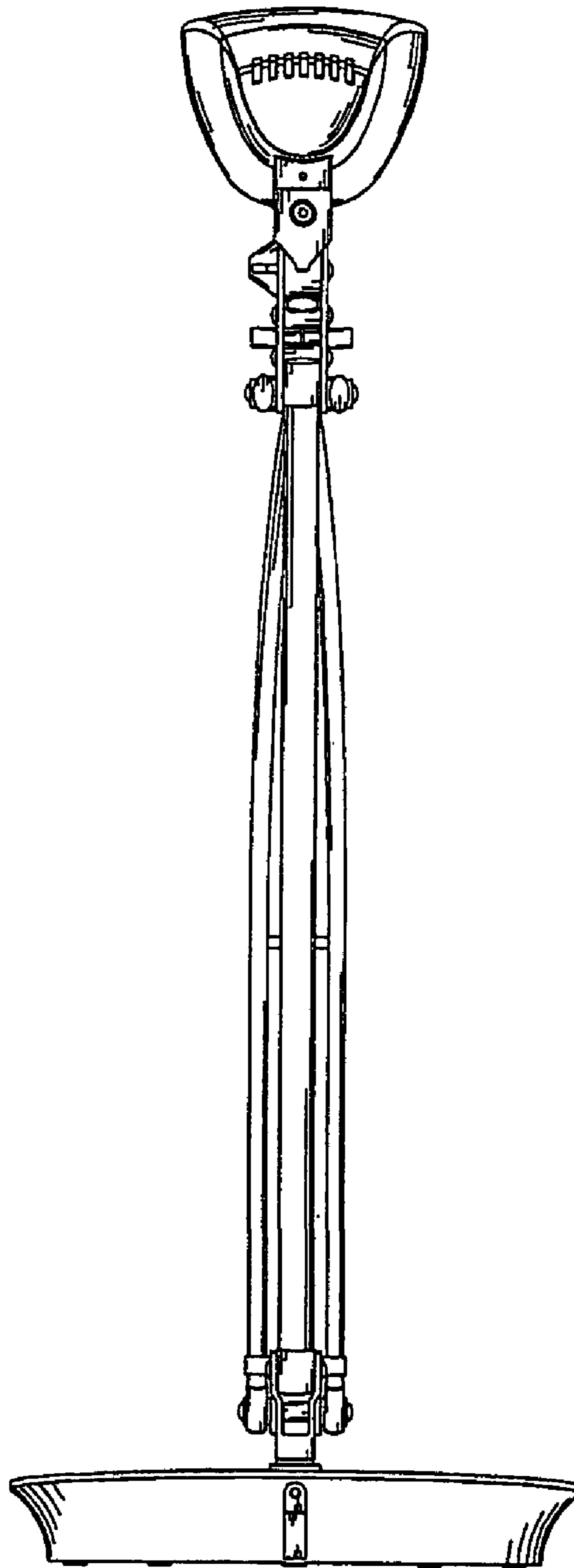


FIG. 3

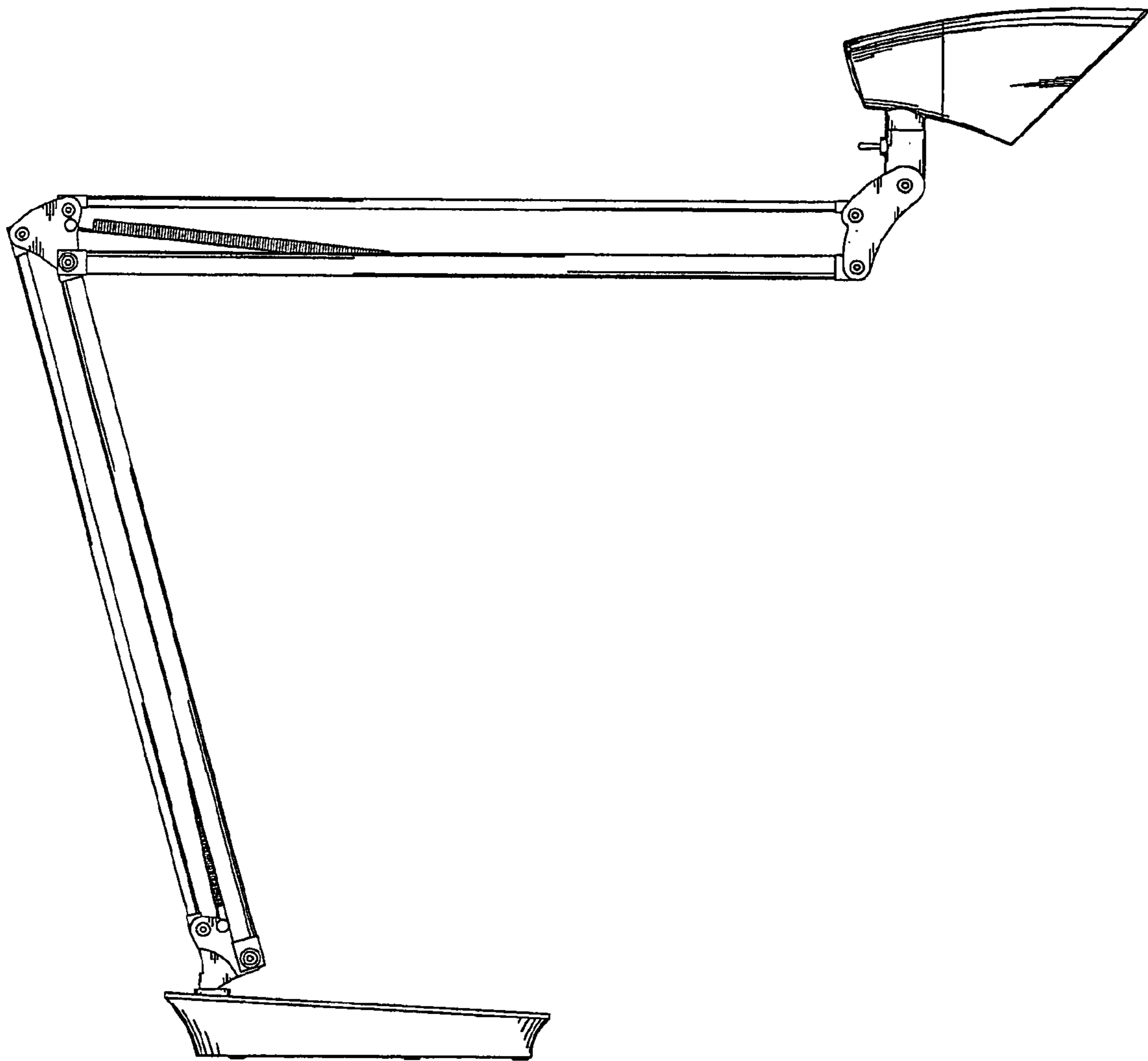


FIG. 4

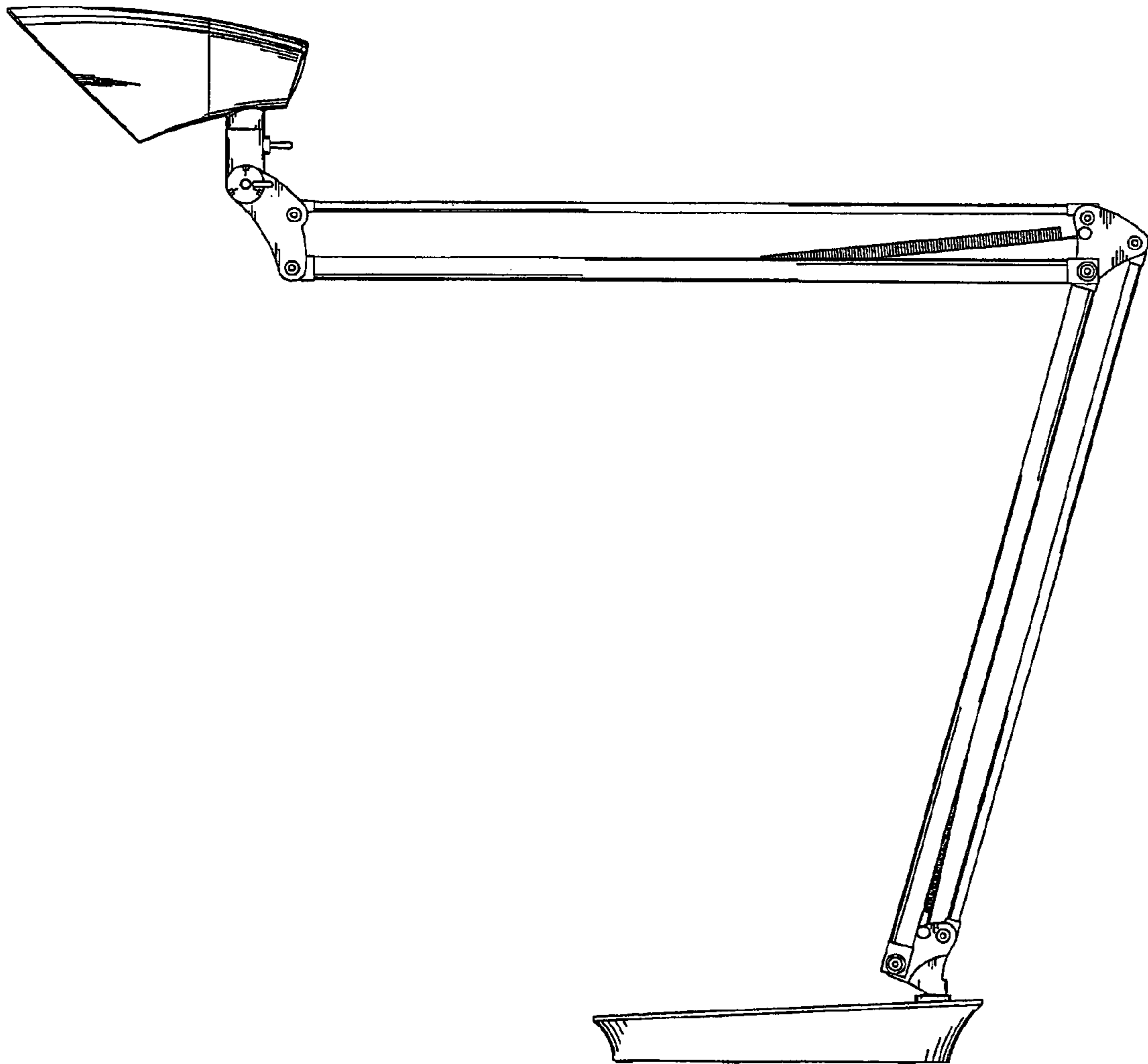


FIG. 5

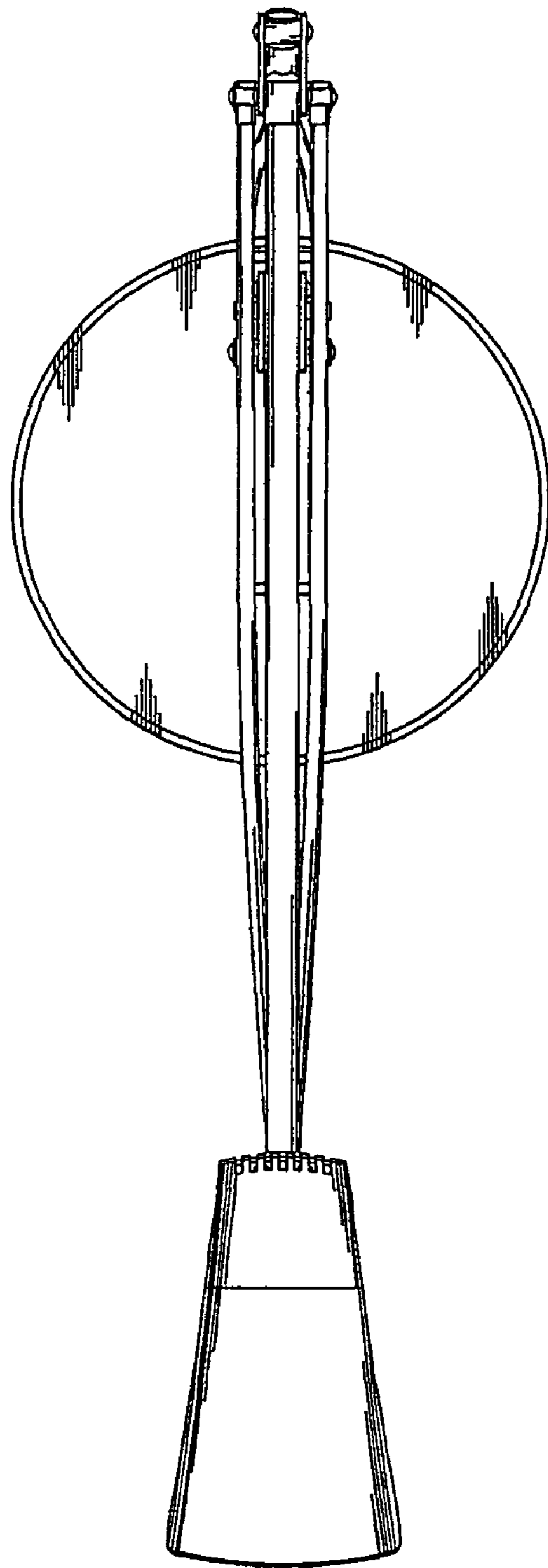


FIG. 6

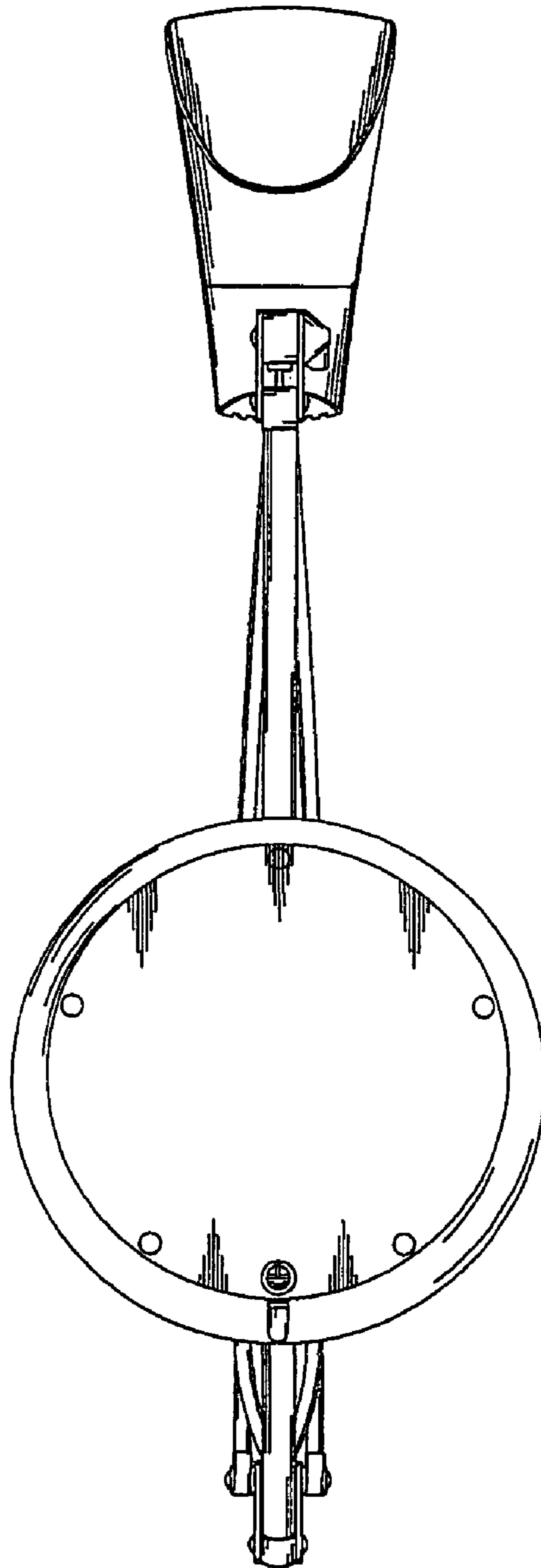


FIG. 7

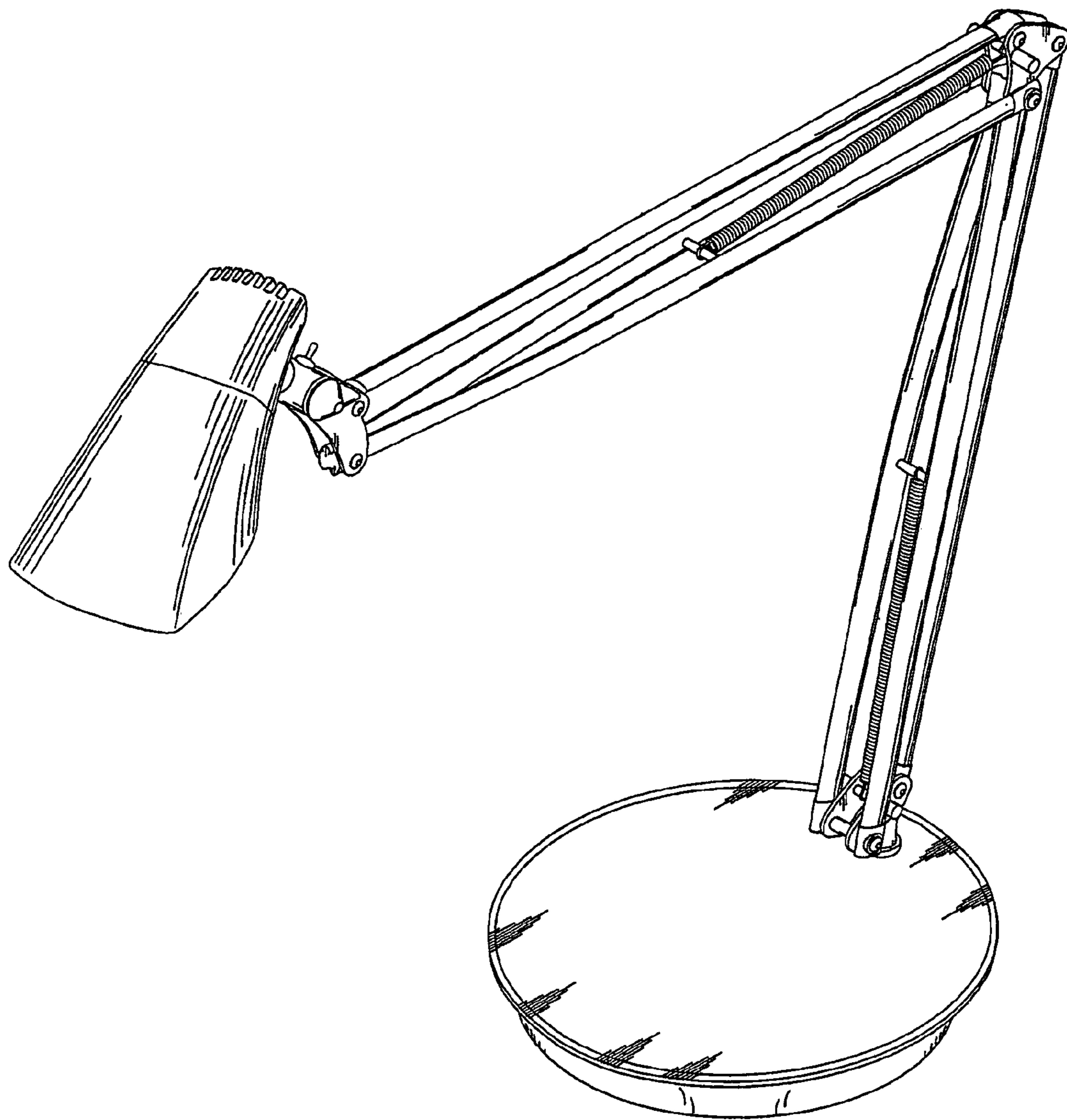


FIG. 8