



US00D556355S

(12) **United States Design Patent**  
**Foster**

(10) **Patent No.:** **US D556,355 S**

(45) **Date of Patent:** **\*\* Nov. 27, 2007**

(54) **LAMP**

(75) Inventor: **Norman Foster**, London (GB)

(73) Assignee: **Fontanaarte S.p.A.**, Corsico (Milan)  
(IT)

(\*\*) Term: **14 Years**

(21) Appl. No.: **29/237,101**

(22) Filed: **Aug. 26, 2005**

(30) **Foreign Application Priority Data**

Feb. 28, 2005 (EM) ..... 000303417

(51) **LOC (8) Cl.** ..... **26-05**

(52) **U.S. Cl.** ..... **D26/63**

(58) **Field of Classification Search** ..... D26/14,  
D26/60-66; 362/410, 413, 414, 418, 419,  
362/427, 285, 287, 282, 277, 275, 274, 271,  
362/270, 269, 431

See application file for complete search history.

(56) **References Cited**

**U.S. PATENT DOCUMENTS**

2,299,683 A \* 10/1942 Curtis ..... 248/122.1  
D164,379 S \* 8/1951 Michie ..... D26/65  
D166,986 S \* 6/1952 Lordo ..... D26/64

D286,818 S \* 11/1986 Engel ..... D26/62  
D310,886 S \* 9/1990 Gismondi et al. .... D26/65  
5,235,500 A \* 8/1993 Sapper ..... 362/426  
5,303,136 A \* 4/1994 Brown ..... 362/421  
D442,311 S \* 5/2001 Kao et al. .... D26/65  
D523,164 S \* 6/2006 Ng ..... D26/65  
2006/0203489 A1 \* 9/2006 Chen ..... 362/253

\* cited by examiner

*Primary Examiner*—Cathron C. Brooks

*Assistant Examiner*—Barbara Fox

(74) *Attorney, Agent, or Firm*—Pearne & Gordon LLP

(57) **CLAIM**

The ornamental design for a lamp, as shown and described.

**DESCRIPTION**

FIG. 1 is a perspective view of a lamp, showing my new design;

FIG. 2 is a front elevational view thereof;

FIG. 3 is a rear elevational view thereof;

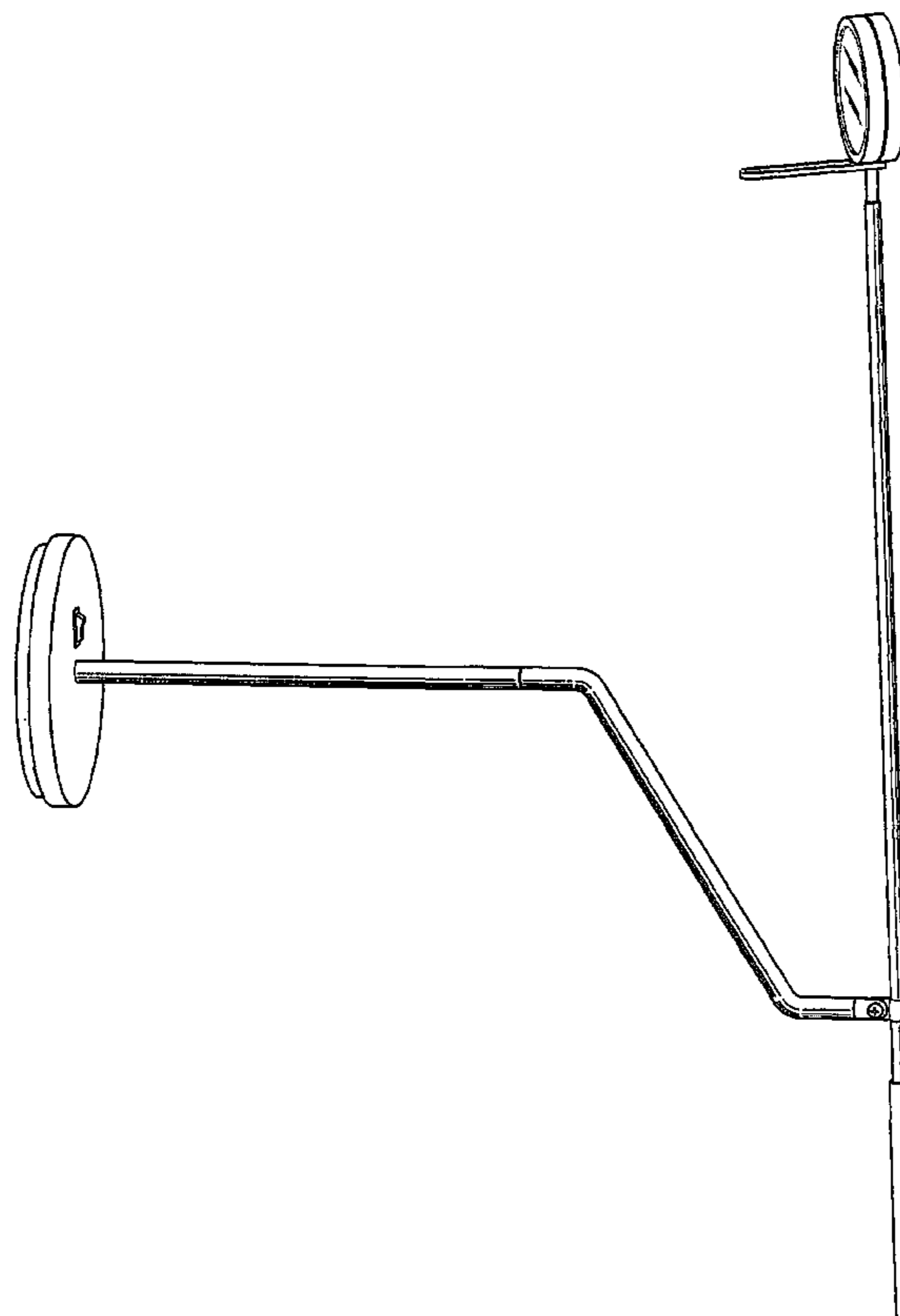
FIG. 4 is a left side elevational view thereof;

FIG. 5 is a right side elevational view thereof;

FIG. 6 is a bottom view thereof; and,

FIG. 7 is a top view thereof.

**1 Claim, 7 Drawing Sheets**



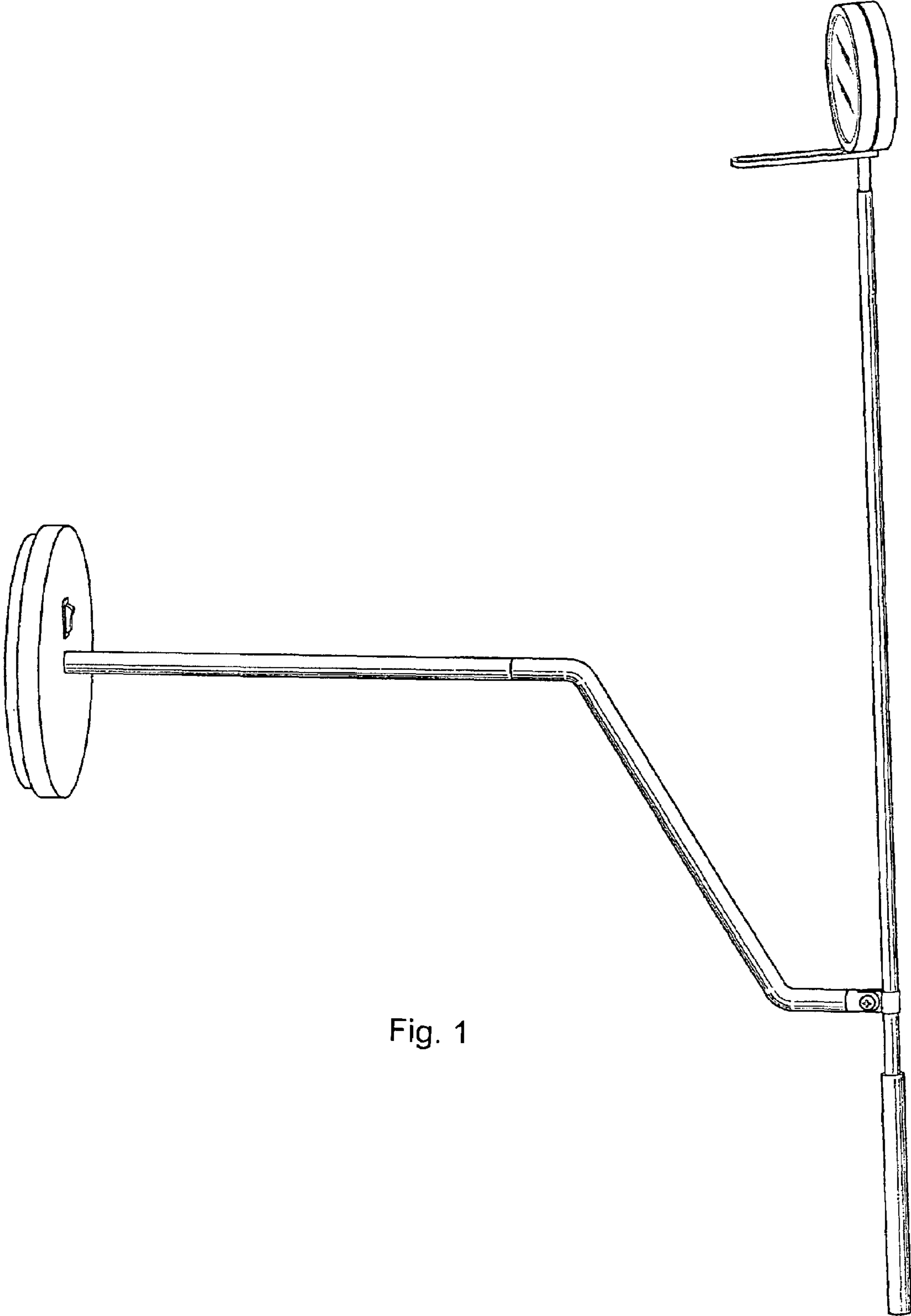


Fig. 1

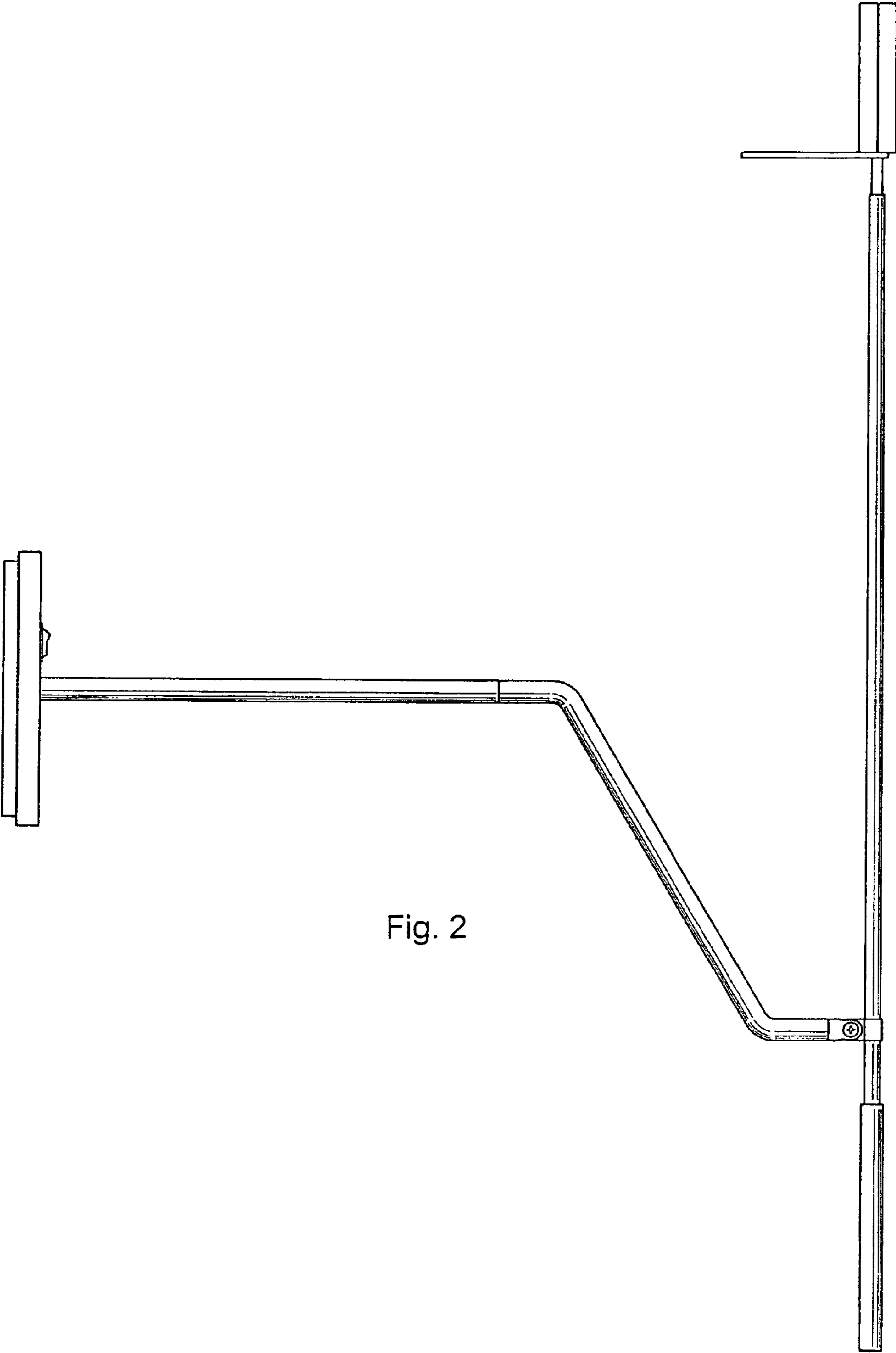


Fig. 2

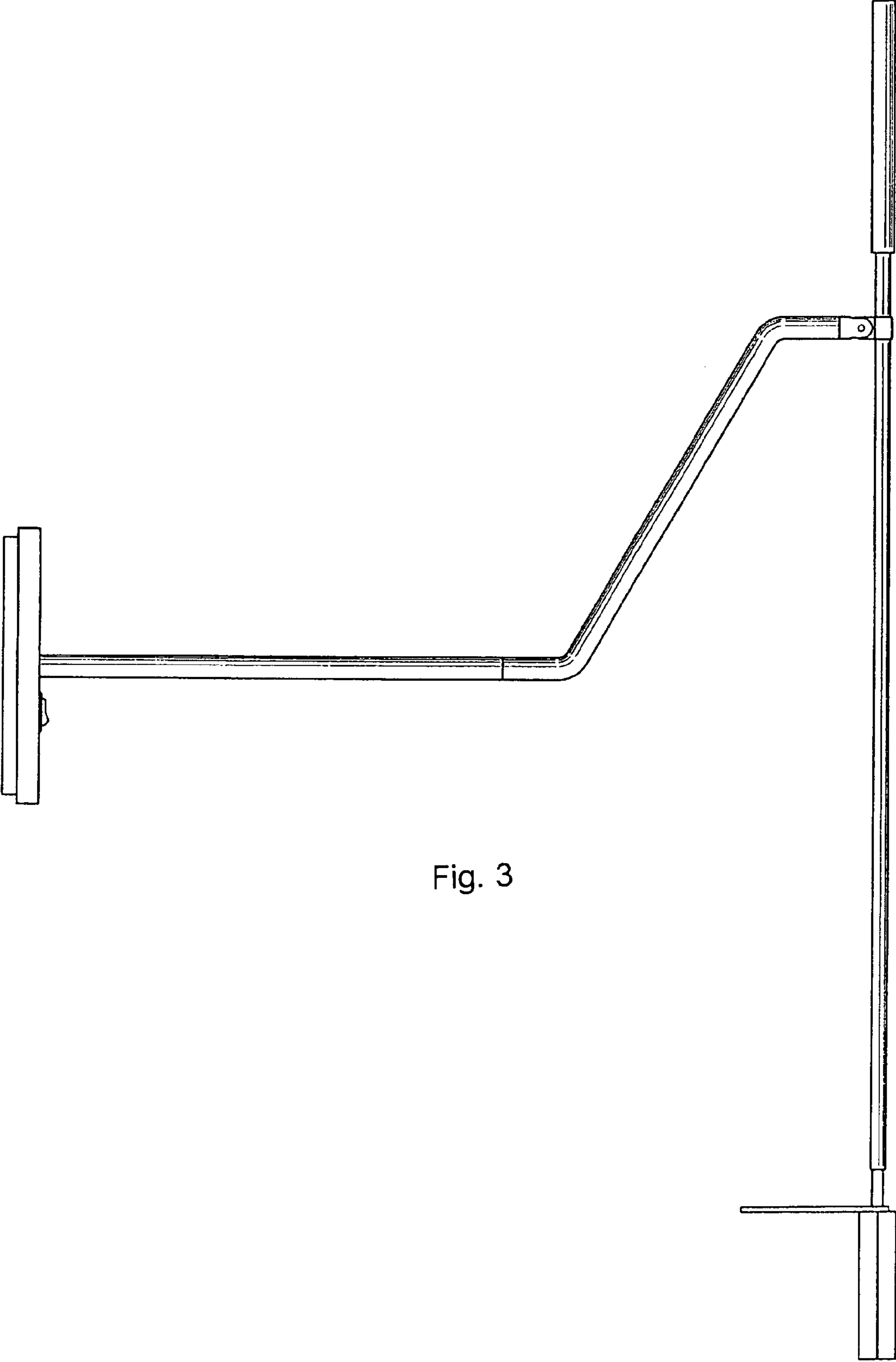


Fig. 3

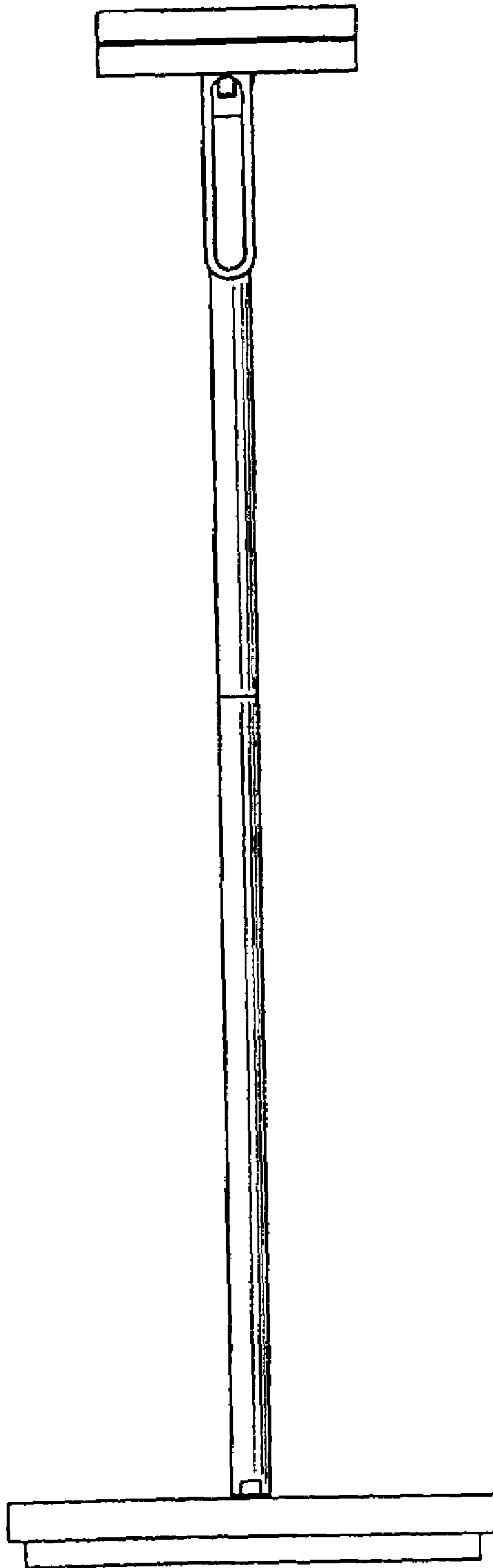


Fig. 4

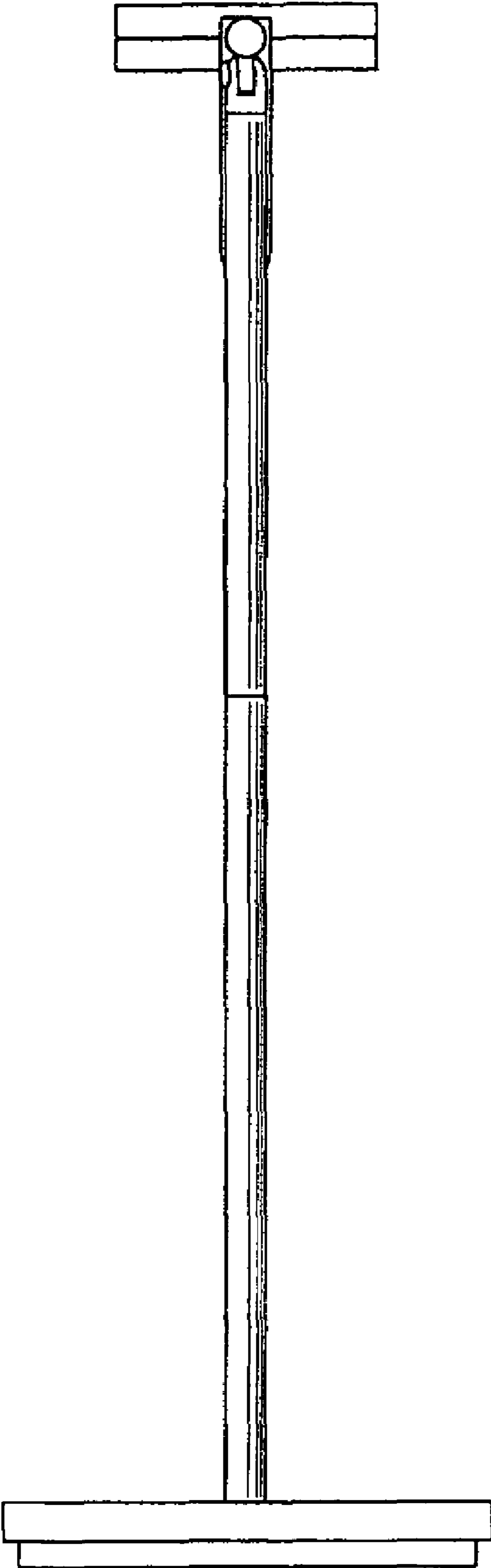


Fig. 5

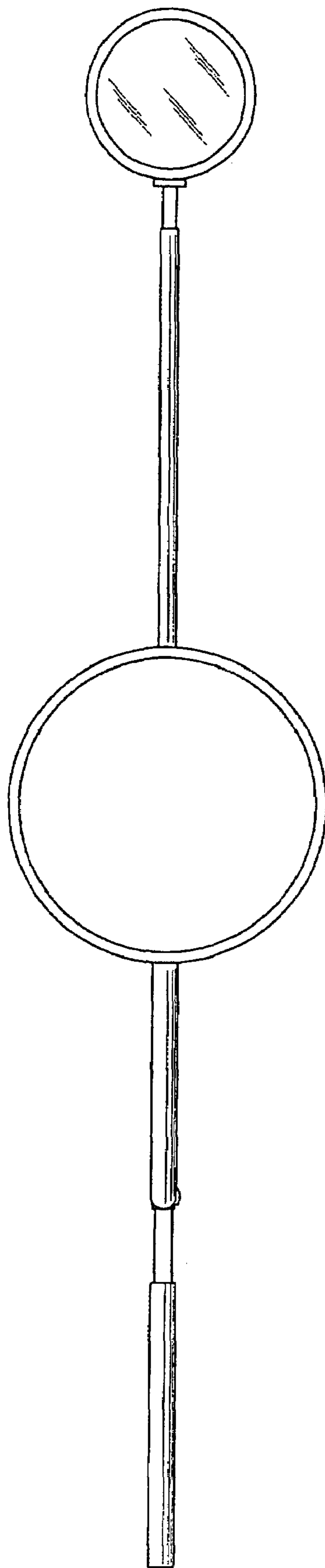


Fig. 6

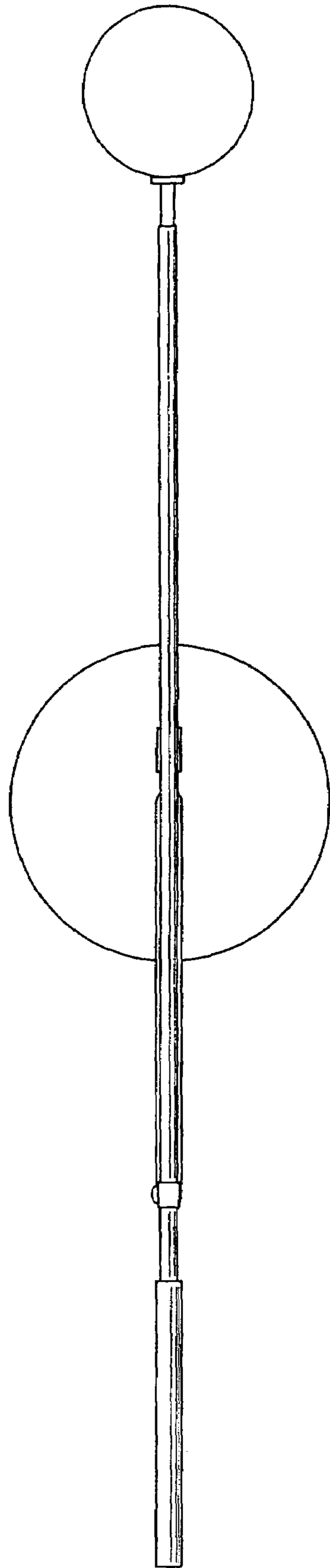


Fig. 7