



US00D556354S

(12) **United States Design Patent**
Prazoff

(10) **Patent No.:** **US D556,354 S**

(45) **Date of Patent:** **** Nov. 27, 2007**

(54) **TRACK LIGHT**

D479,623 S * 9/2003 Fu D26/118
D506,563 S * 6/2005 Campo D26/62

(75) Inventor: **Michael Prazoff**, Montreal (CA)

* cited by examiner

(73) Assignee: **L' Image Home Products, Inc.**,
Montreal (CA)

Primary Examiner—Cathron Brooks

Assistant Examiner—Barbara Fox

(**) Term: **14 Years**

(74) *Attorney, Agent, or Firm*—Cook, Alex, McFarron,
Manzo, Cummings & Mehler, Ltd.

(21) Appl. No.: **29/236,979**

(57) **CLAIM**

(22) Filed: **Aug. 24, 2005**

The ornamental design for a track light, as shown and described.

(51) **LOC (8) Cl.** **26-05**

(52) **U.S. Cl.** **D26/61**

(58) **Field of Classification Search** D26/60–66,
D26/93, 106, 110, 138, 142, 144; 362/101,
362/147, 267, 269, 270, 275, 285, 286, 287,
362/290, 410, 413, 418, 419, 427, 428, 429,
362/430

See application file for complete search history.

DESCRIPTION

FIG. 1 is a front perspective view of a track light according to my new design;

FIG. 2 is a left side elevational view of the track light shown in FIG. 1, a right side elevational view being a mirror image of the left side elevational view;

FIG. 3 is a top plan view of the track light shown in FIG. 1, the bottom plan view being a mirror image of the top plan view;

FIG. 4 is a front elevational view of the track light shown in FIG. 1; and,

FIG. 5 is a rear elevational view of the track light shown in FIG. 1.

The broken lines in FIGS. 1, 2, 4, and 5 are for illustrative purposes only and form no part of the claimed design.

(56) **References Cited**

U.S. PATENT DOCUMENTS

- D202,727 S * 11/1965 Hahn D26/65
- D209,078 S * 10/1967 Andre D26/107
- 4,135,231 A * 1/1979 Fisher 362/269
- D370,069 S * 5/1996 Mier-Langner et al. D26/63
- D400,997 S * 11/1998 Cheun et al. D26/63
- D408,091 S * 4/1999 Joyner et al. D26/60
- 6,079,992 A 6/2000 Kuchar et al.
- D427,696 S * 7/2000 Scott et al. D26/28
- D449,397 S 10/2001 Demshki

1 Claim, 1 Drawing Sheet

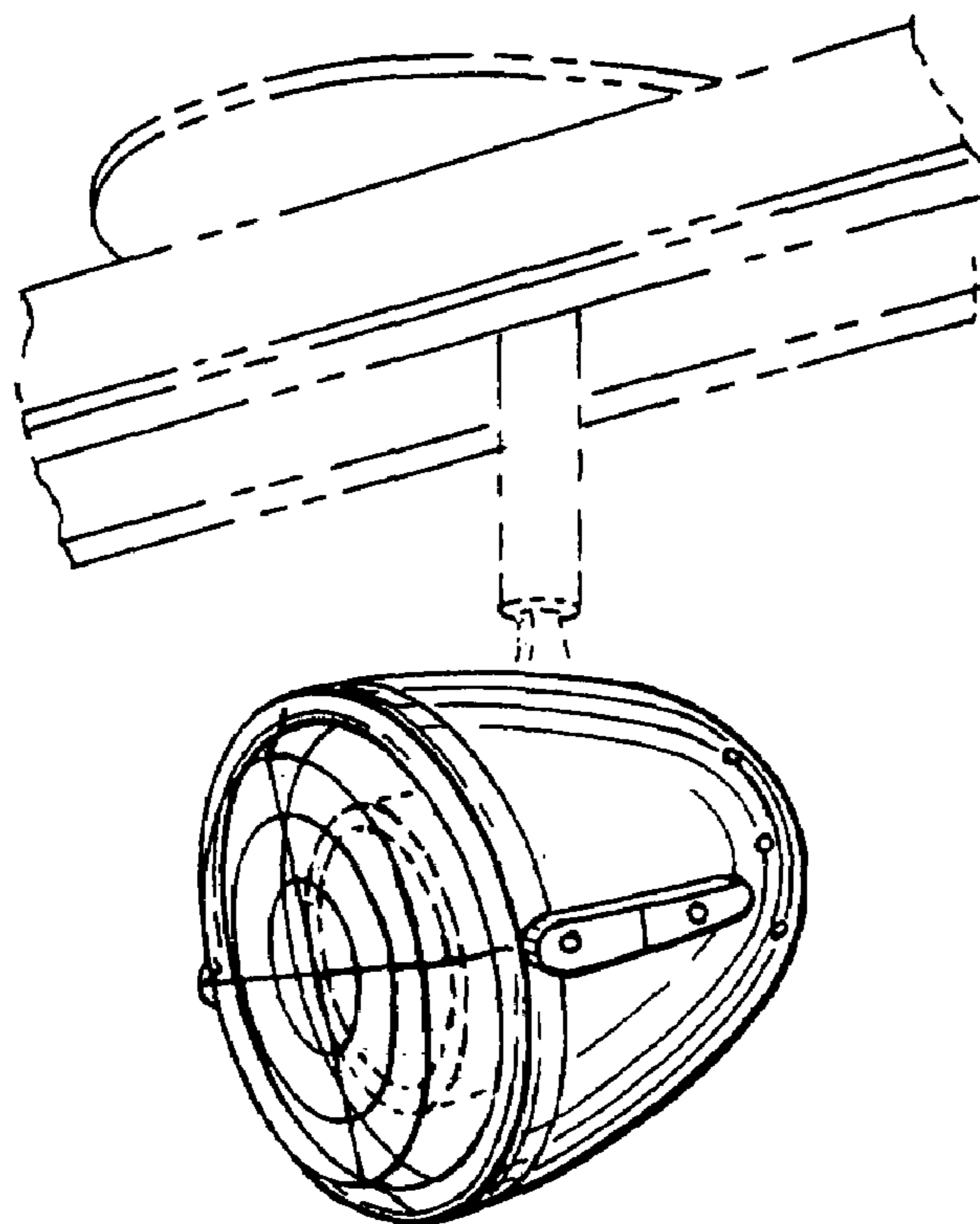


FIG. 1

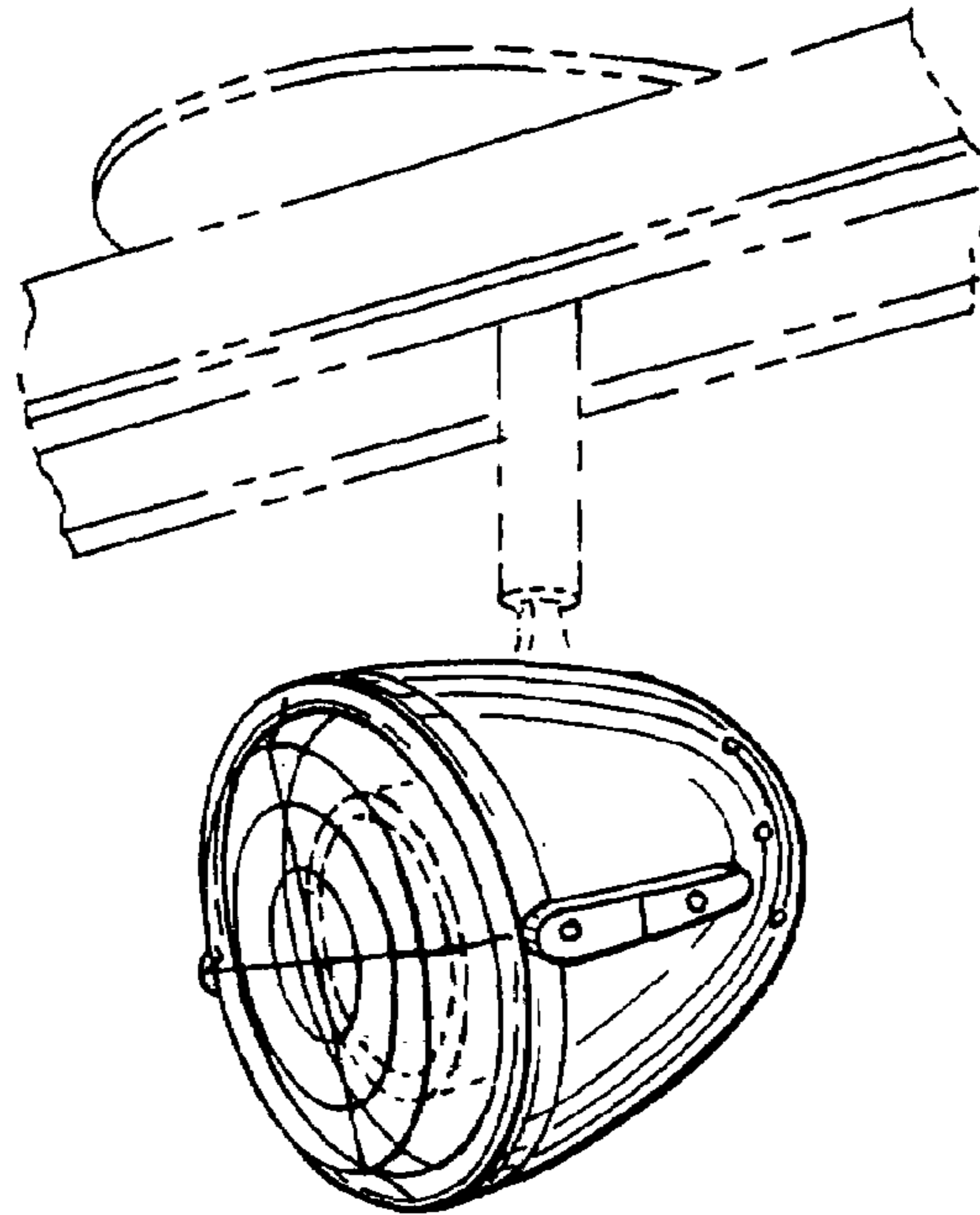


FIG. 2

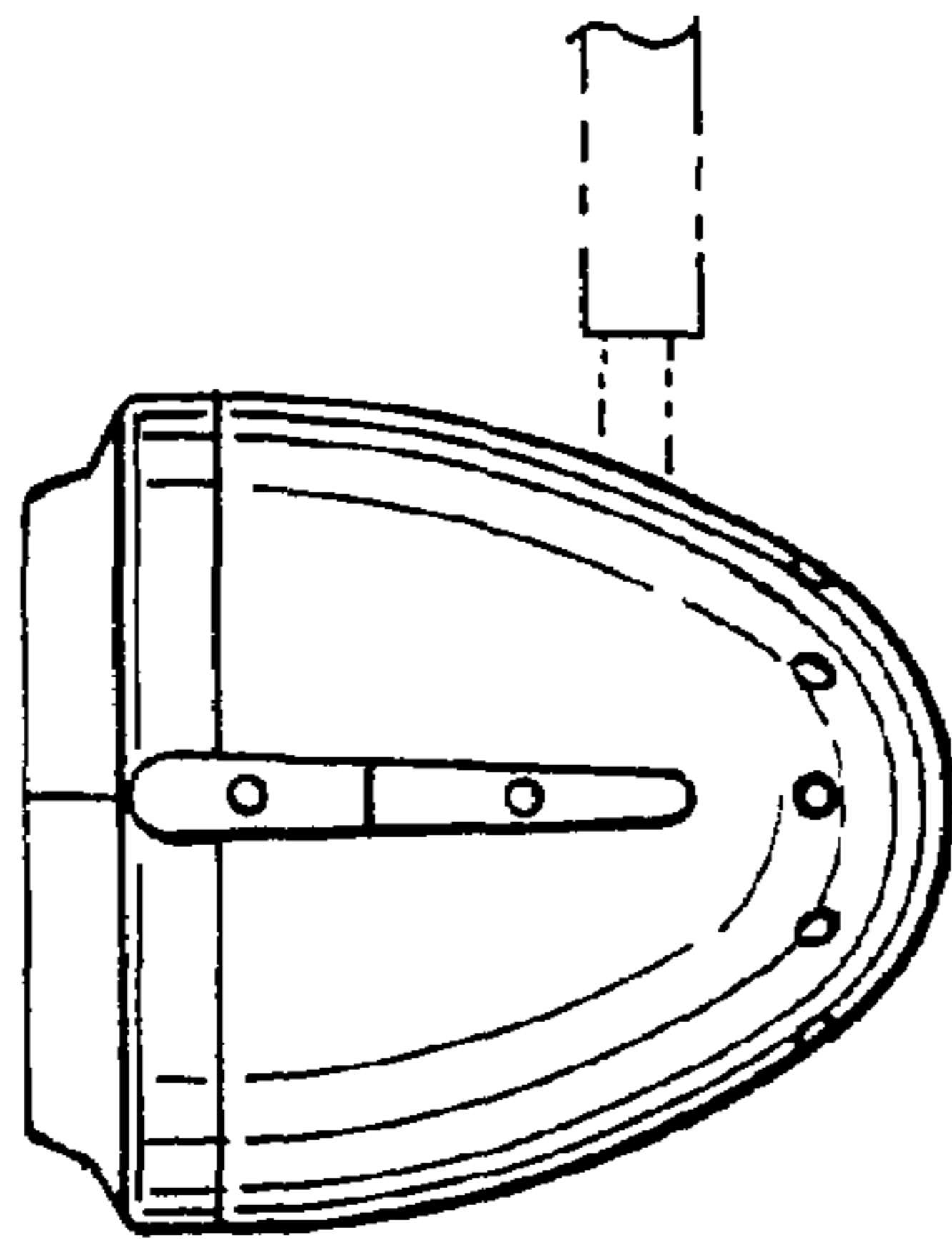


FIG. 3

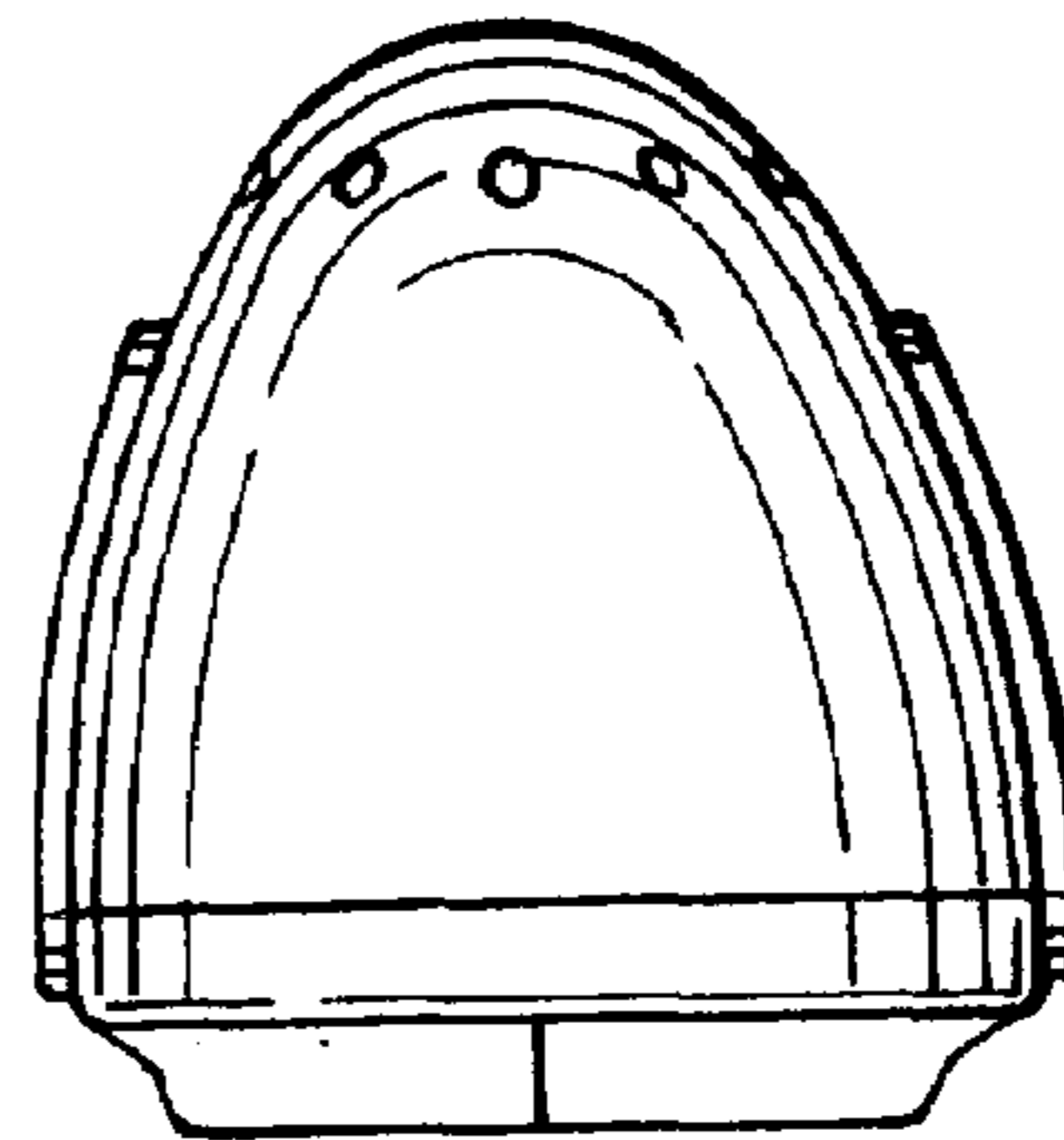


FIG. 4

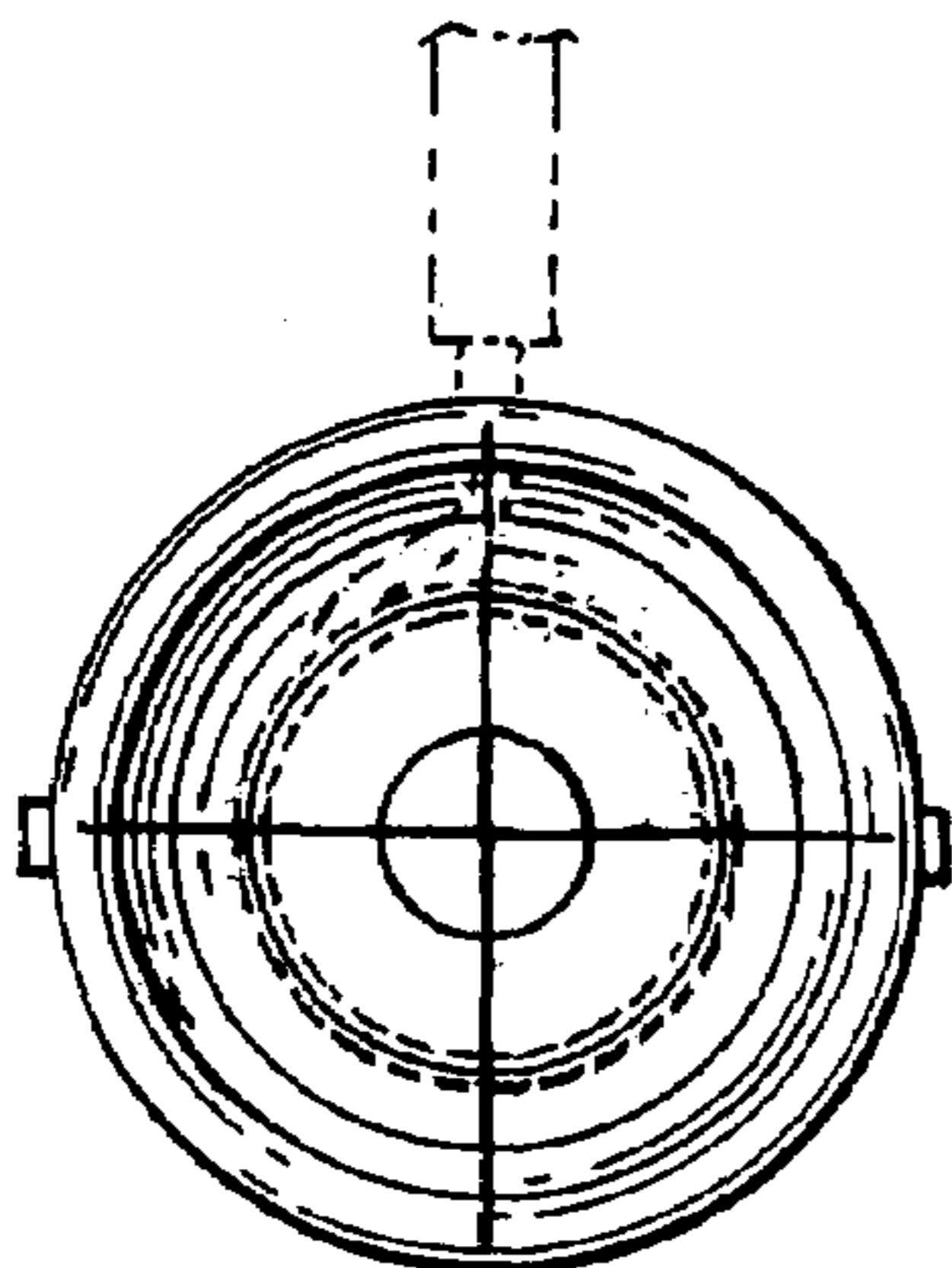


FIG. 5

