



US00D556353S

(12) **United States Design Patent**
Gebhard et al.

(10) **Patent No.:** **US D556,353 S**

(45) **Date of Patent:** **** Nov. 27, 2007**

(54) **SEARCHLIGHT WITH CHARGING STATION**

(57) **CLAIM**

(76) Inventors: **Albert W. Gebhard**, 2101 E. Alameda, Denver, CO (US) 80209; **Gerald L. Gohl**, Rt. 3, Box 37B, Culbertson, NE (US) 69024

The ornamental design of a searchlight and charging station, as shown and described.

(**) Term: **14 Years**

DESCRIPTION

(21) Appl. No.: **29/247,104**

(22) Filed: **May 31, 2006**

(51) **LOC (8) Cl.** **26-02**

(52) **U.S. Cl.** **D26/48**

(58) **Field of Classification Search** D26/37, D26/38, 41, 44, 46, 48, 50, 51, 52, 63; 362/157-159, 362/612, 183, 190-193, 200-208, 399; 320/107-115; D13/107-110, 118-119, 184; D14/432, 434
See application file for complete search history.

FIG. 1 is a front perspective view of our new design for a searchlight with charging station with the search light mounted in the charging station and a spare battery in a second charging station.

FIG. 2 is a front elevation view of FIG. 1.

FIG. 3 is a back elevation view of FIG. 1.

FIG. 4 is a left side elevation view of FIG. 1.

FIG. 5 is a right side elevation view of FIG. 1.

FIG. 6 is a top plan view of FIG. 1.

FIG. 7 is a bottom plan view of the searchlight shown in FIG. 1. The bottom surface of the base is shown in dotted lines and is not part of the claimed design.

FIG. 8 is a bottom plan view of the searchlight shown in FIG. 1, with the handle being shown in a rotated position.

FIG. 9 is a front elevation view of the searchlight with the charging station removed for ease of illustration.

FIG. 10 is a back elevation view of FIG. 9.

FIG. 11 is a left side elevation view FIG. 9.

FIG. 12 is a right side elevation view of FIG. 9.

FIG. 13 is a top plan view of FIG. 9.

FIG. 14 is a front elevation view of the charging station with the flashlight removed for ease of illustration.

FIG. 15 is a back elevation view of FIG. 14.

FIG. 16 is a left side elevation view of FIG. 14.

FIG. 17 is a right side elevation view of FIG. 14; and,

FIG. 18 is a top plan view of FIG. 14.

(56) **References Cited**

U.S. PATENT DOCUMENTS

4,345,304 A	8/1982	Penney et al.	
5,019,951 A	5/1991	Osterhout et al.	
5,689,171 A	11/1997	Ludewig	
D414,284 S *	9/1999	Zelina et al.	D26/38
D430,323 S *	8/2000	Yuen	D26/46
6,124,699 A	9/2000	Suzuki et al.	
6,127,802 A	10/2000	Lloyd et al.	
6,350,040 B1	2/2002	Parker	
6,659,621 B2	12/2003	Sharrah et al.	
D489,837 S *	5/2004	Yuen	D26/37
6,752,514 B2	6/2004	Parker	
D531,336 S *	10/2006	Yuen	D26/46
D531,745 S *	11/2006	Yuen	D26/46
D532,370 S *	11/2006	Shimizu	D13/108
D534,290 S *	12/2006	Yuen	D26/46
D534,291 S *	12/2006	Yuen	D26/46

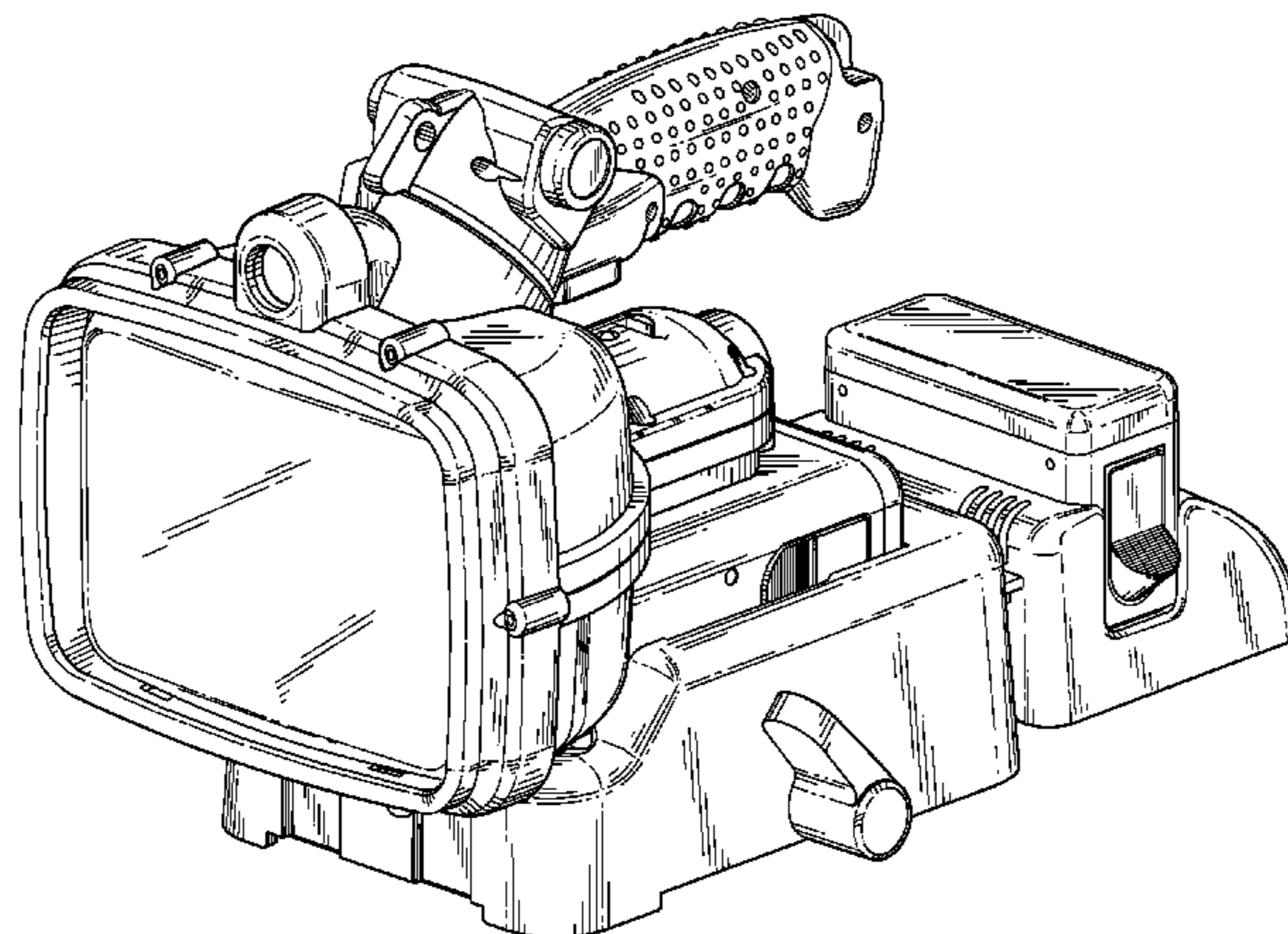
* cited by examiner

Primary Examiner—Charles A. Rademaker

Assistant Examiner—Carissa C Fitts

(74) *Attorney, Agent, or Firm*—Margaret Polson; Patent Law Offices of Rick Martin, PC

1 Claim, 11 Drawing Sheets



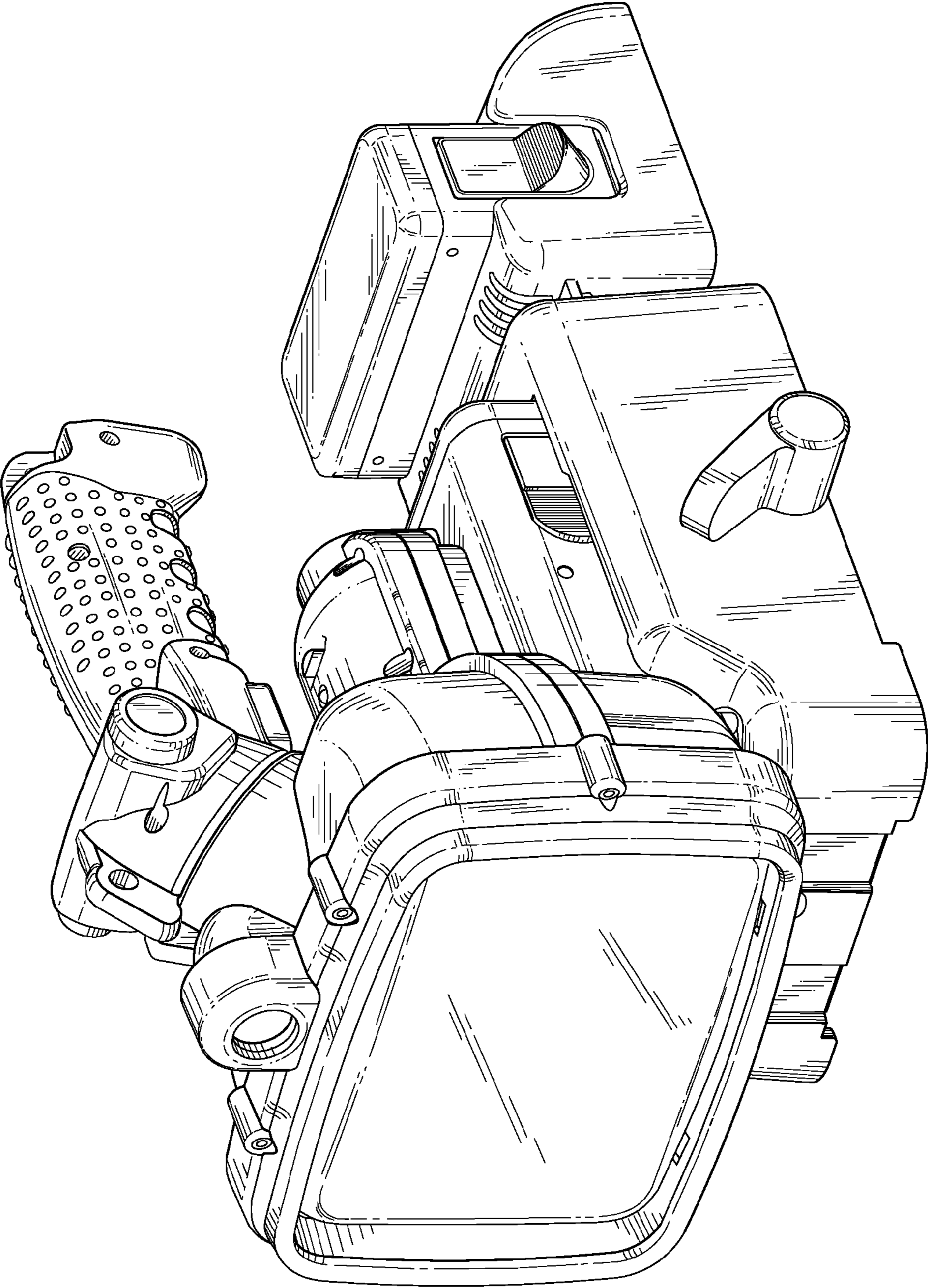


FIG.1

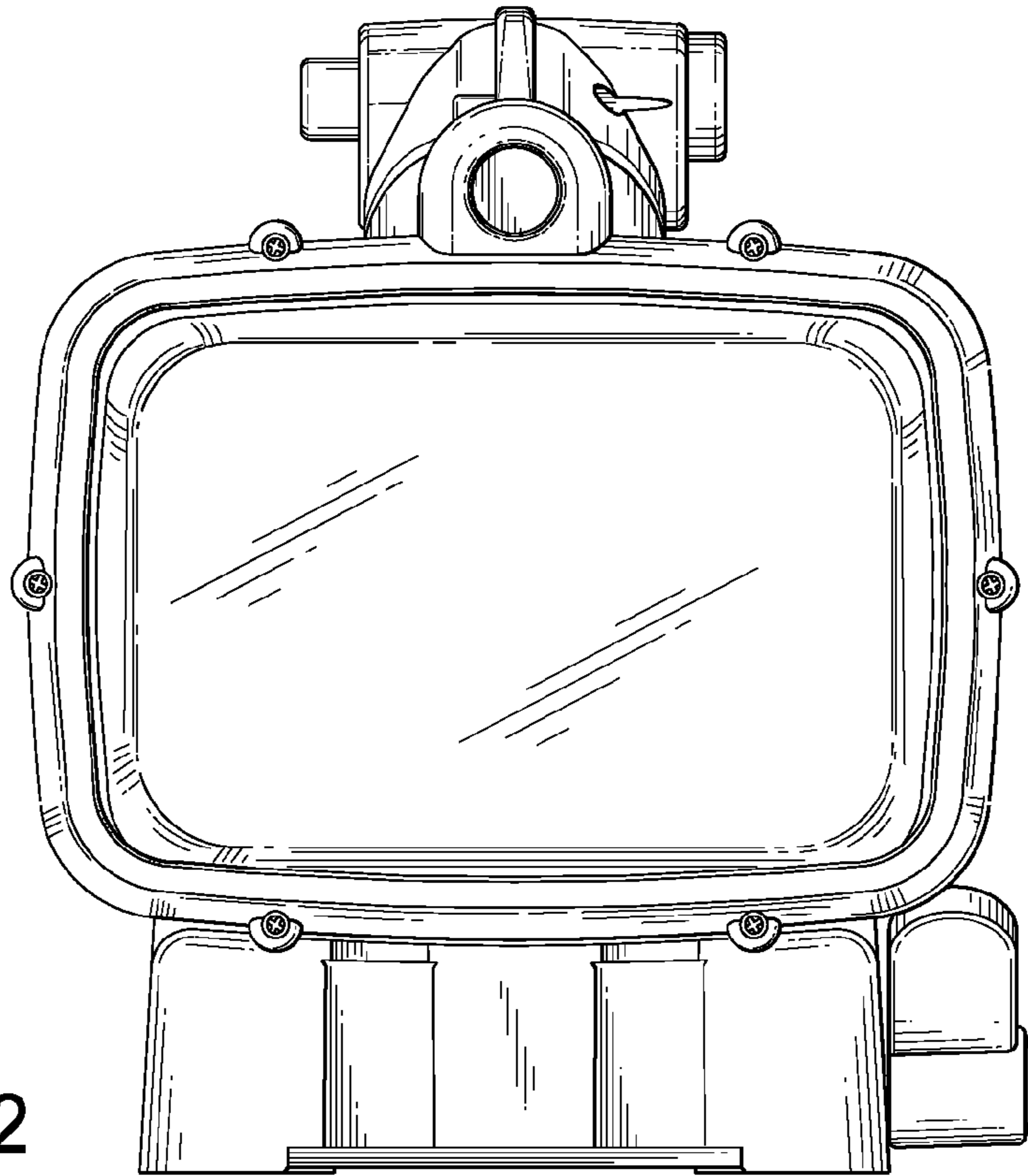


FIG.2

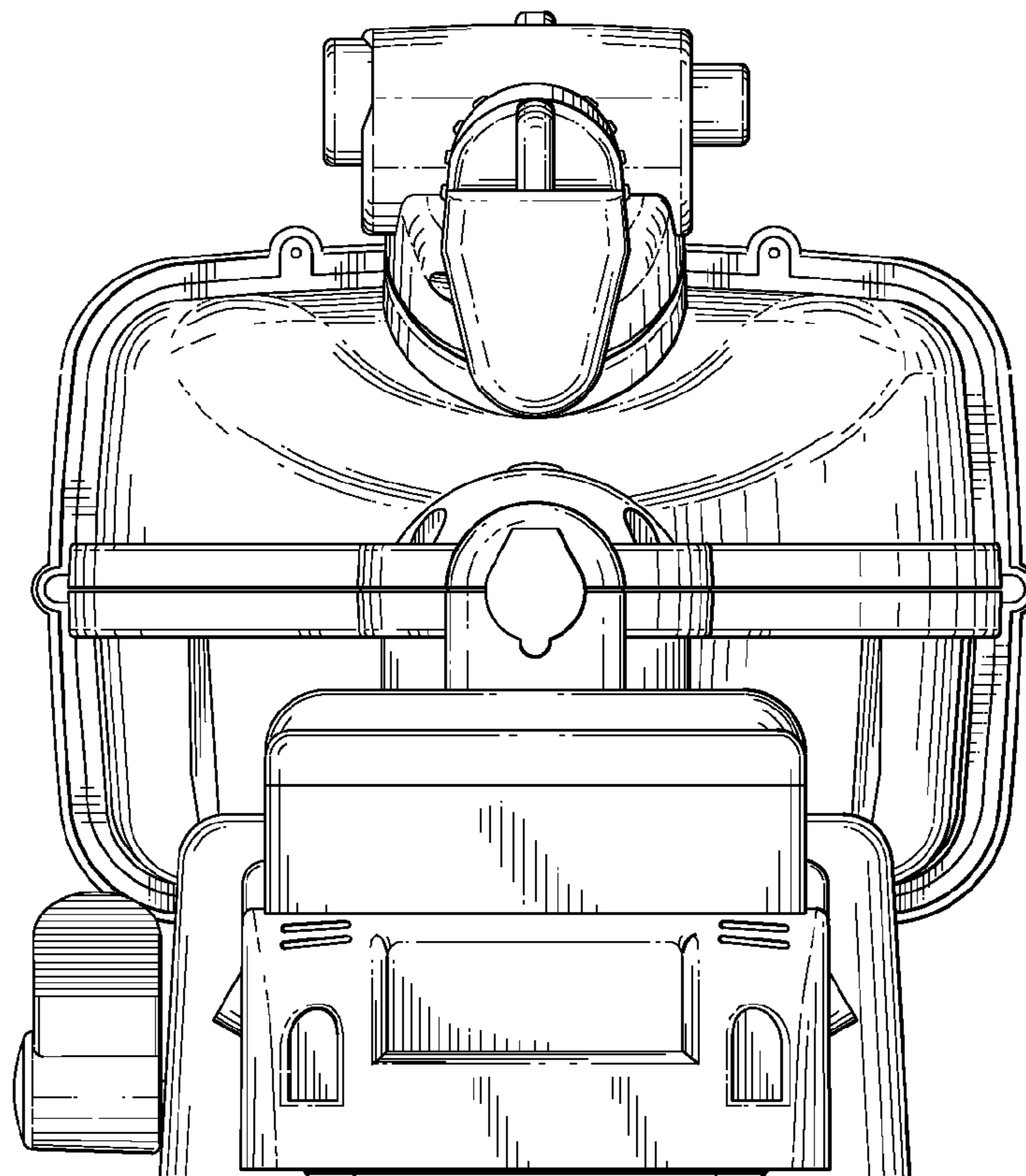


FIG.3

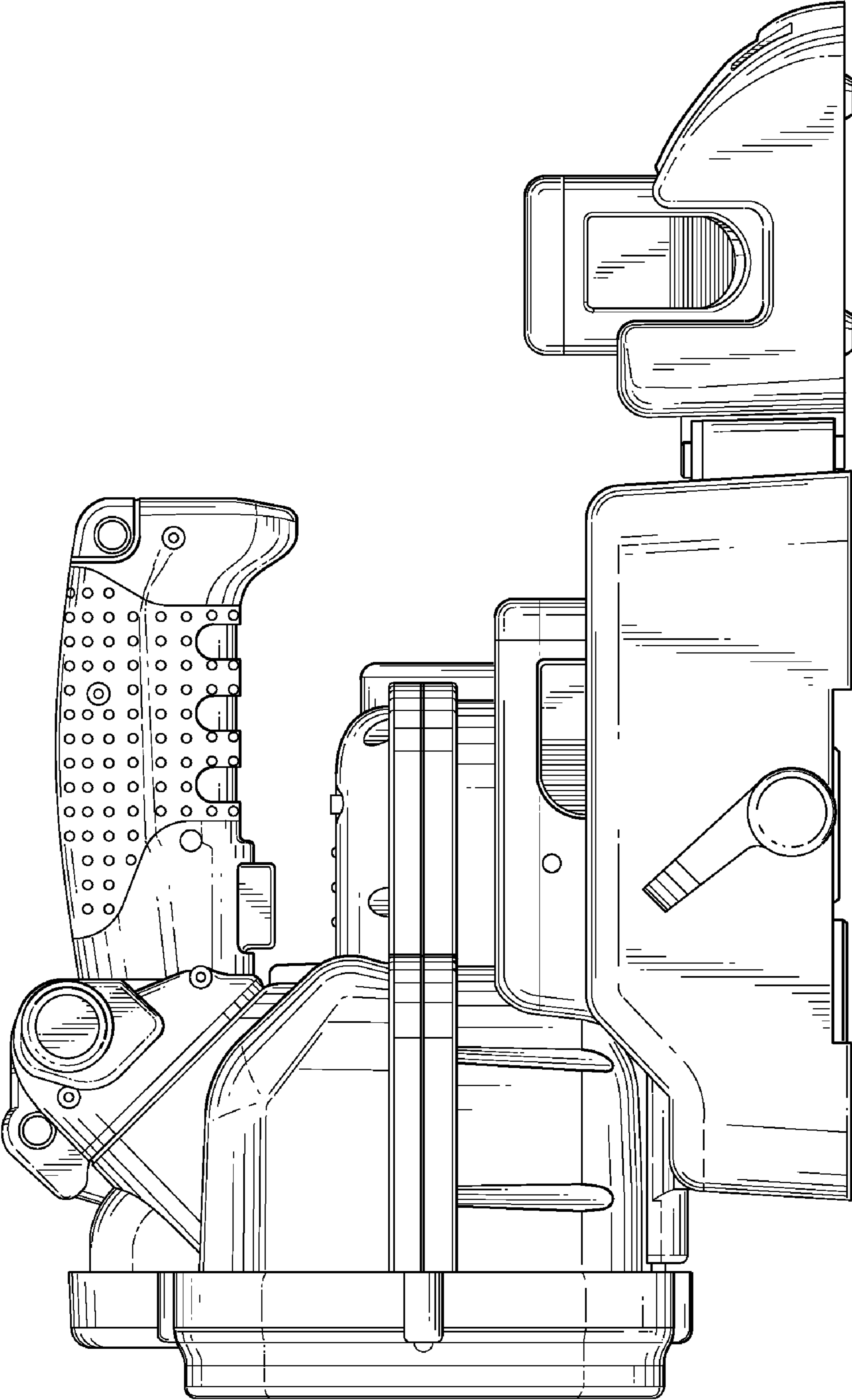


FIG.4

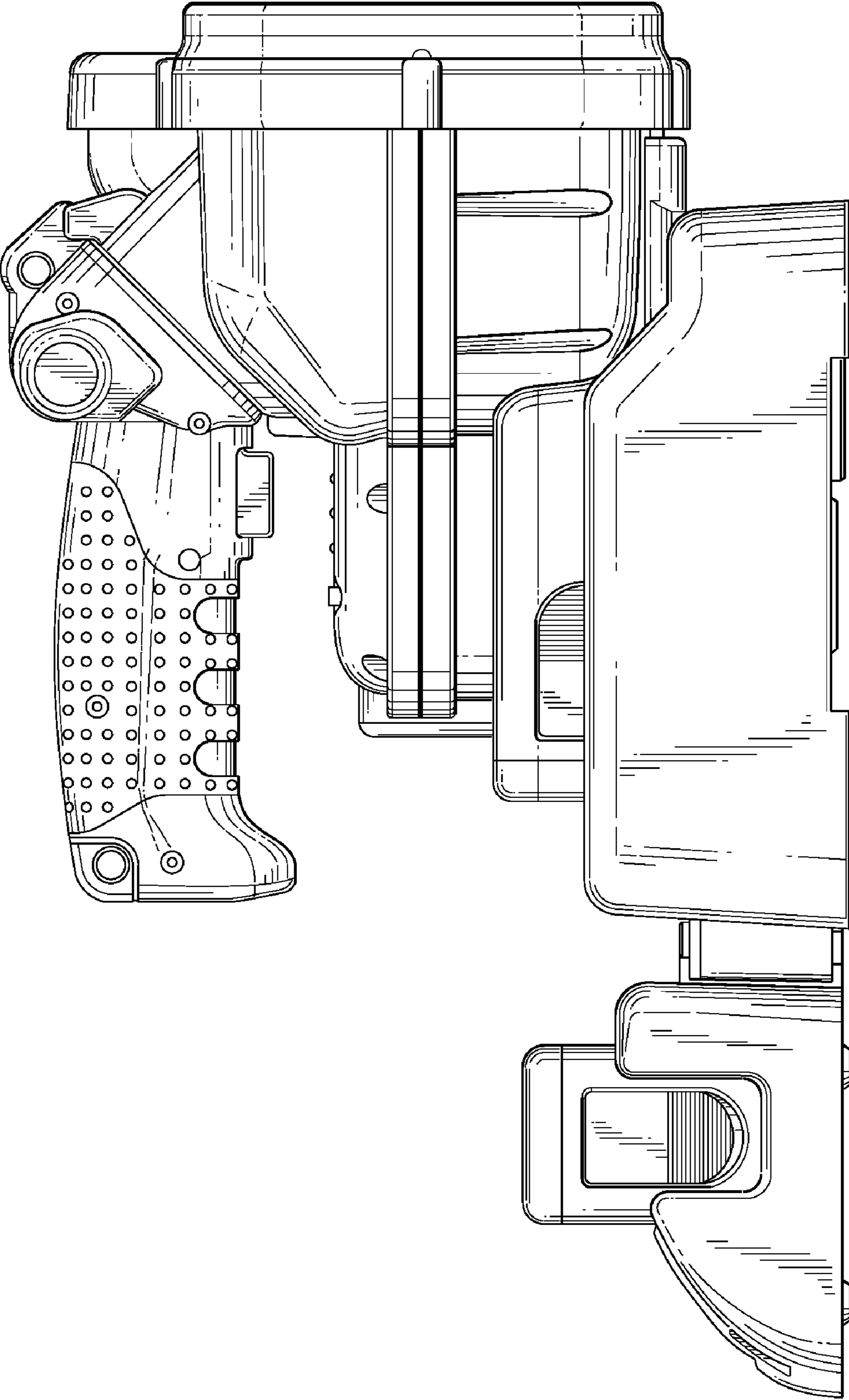


FIG.5

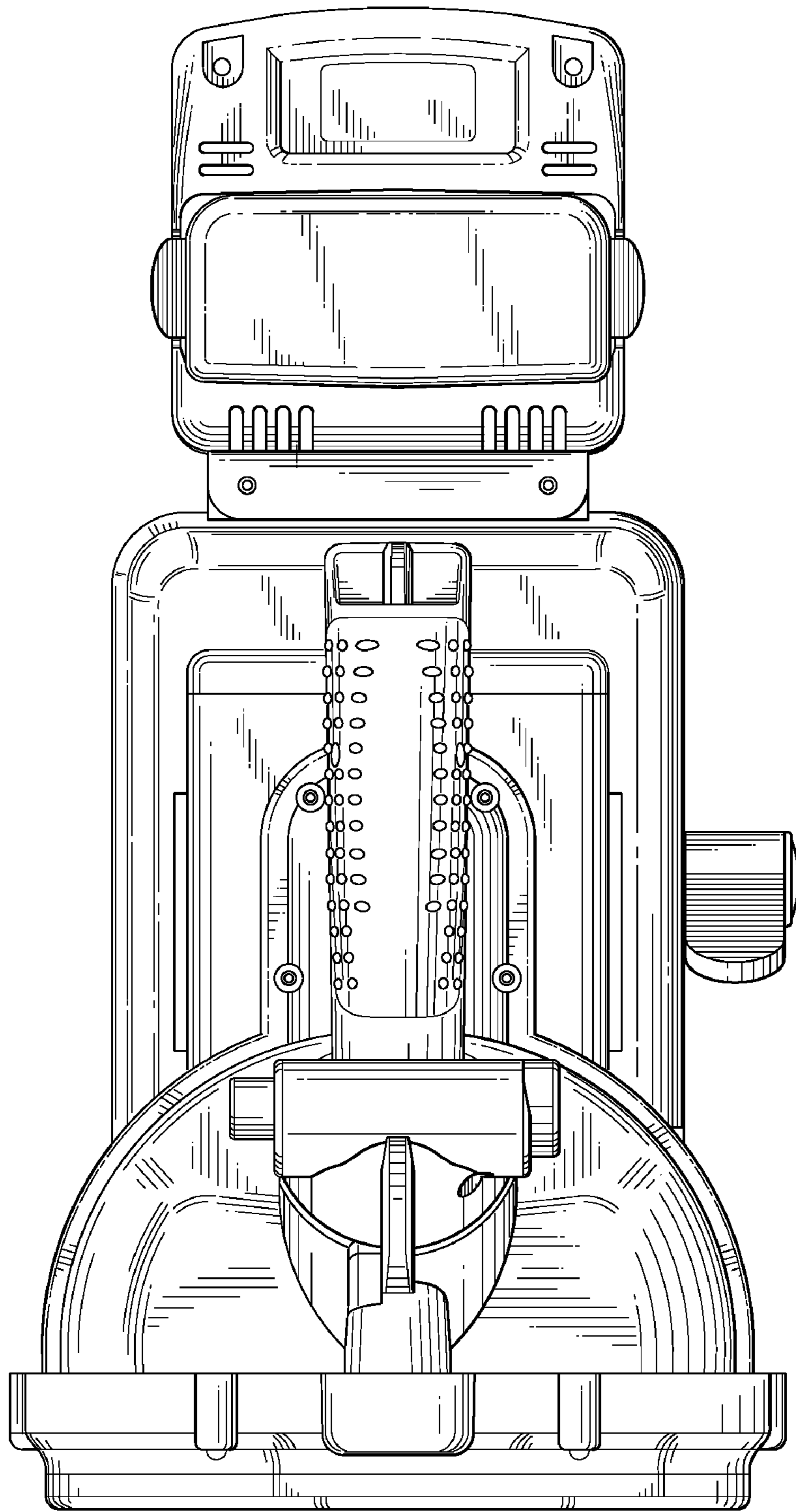


FIG.6

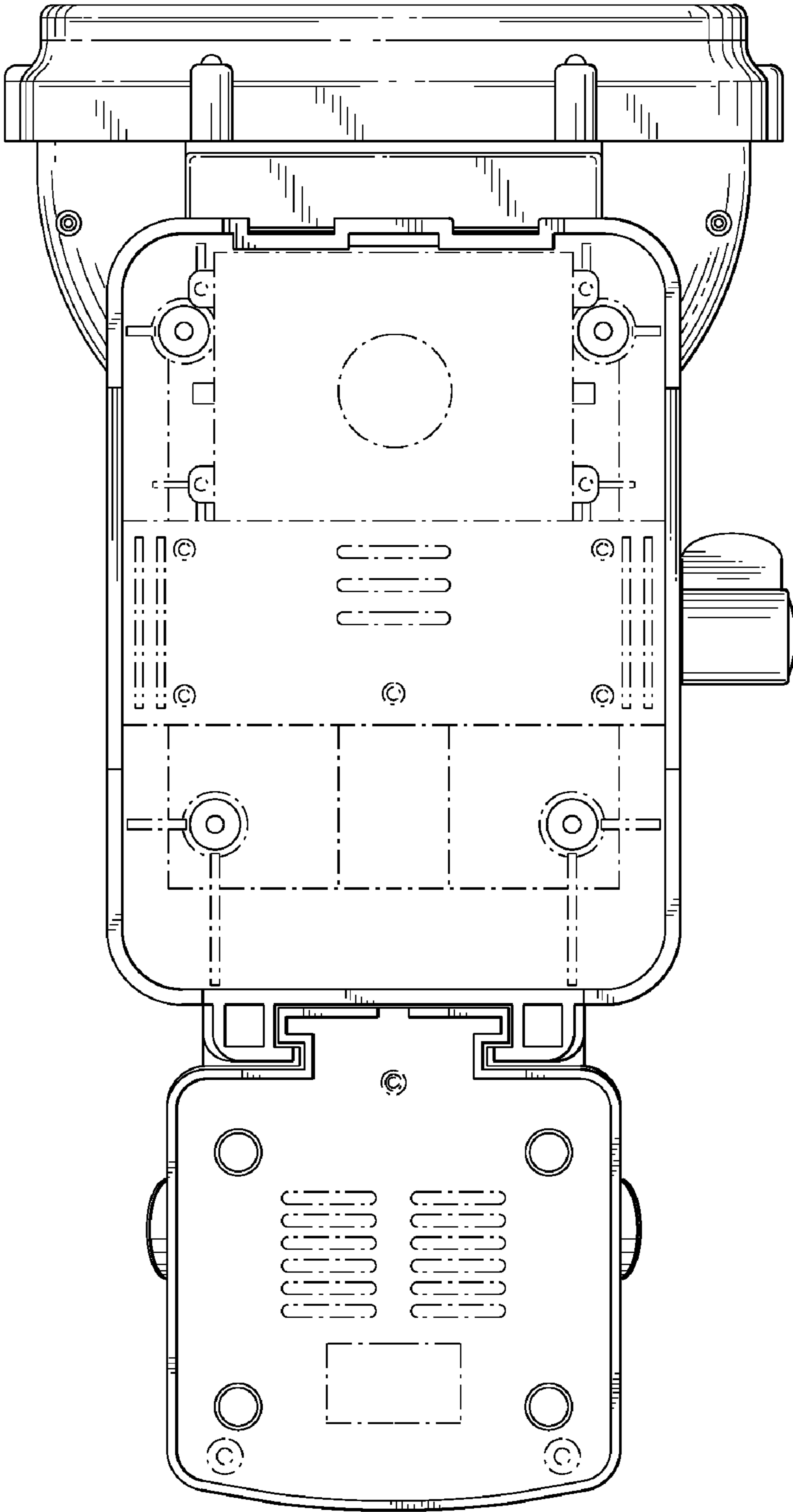


FIG.7

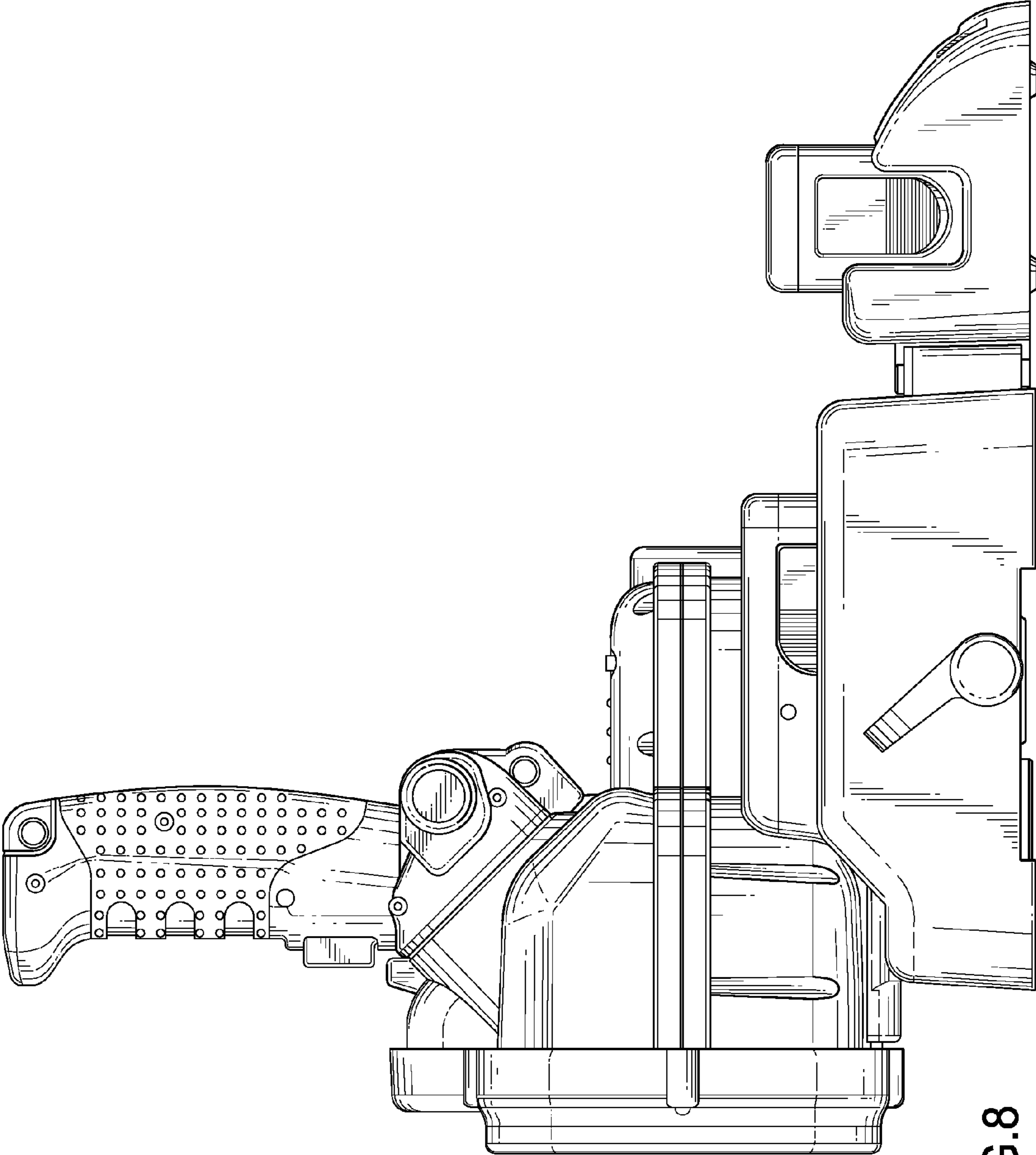


FIG.8

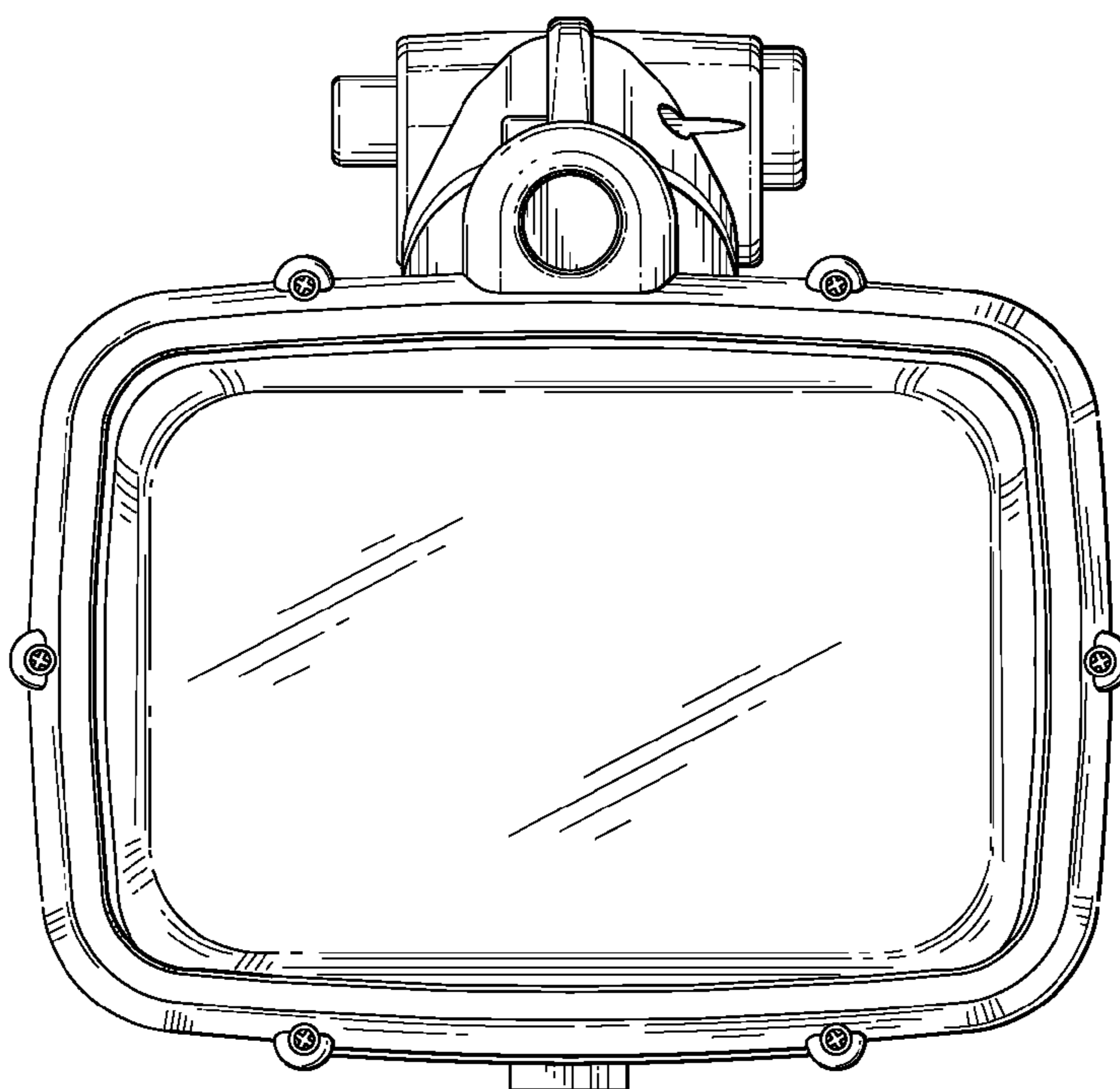


FIG. 9

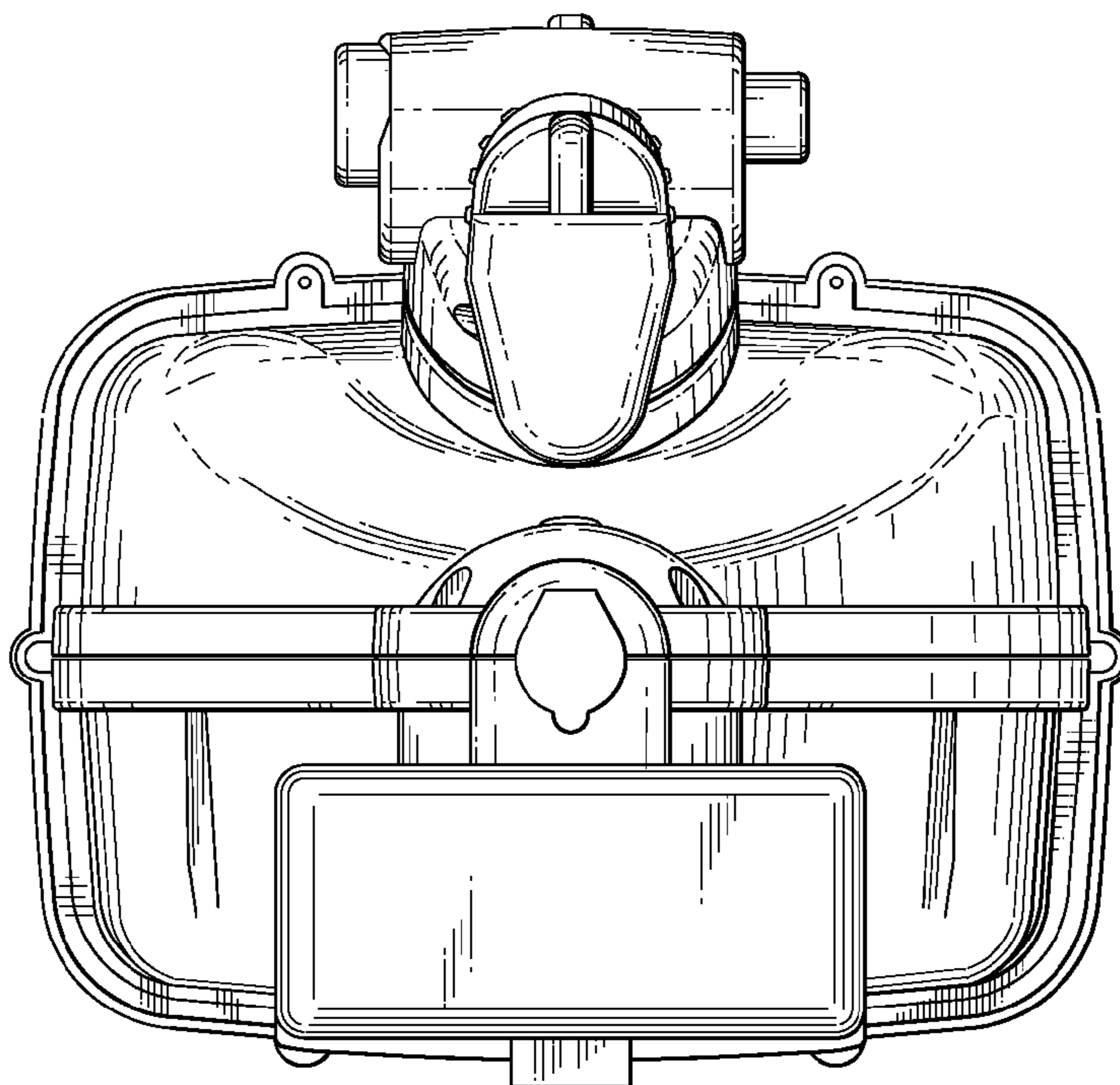


FIG. 10

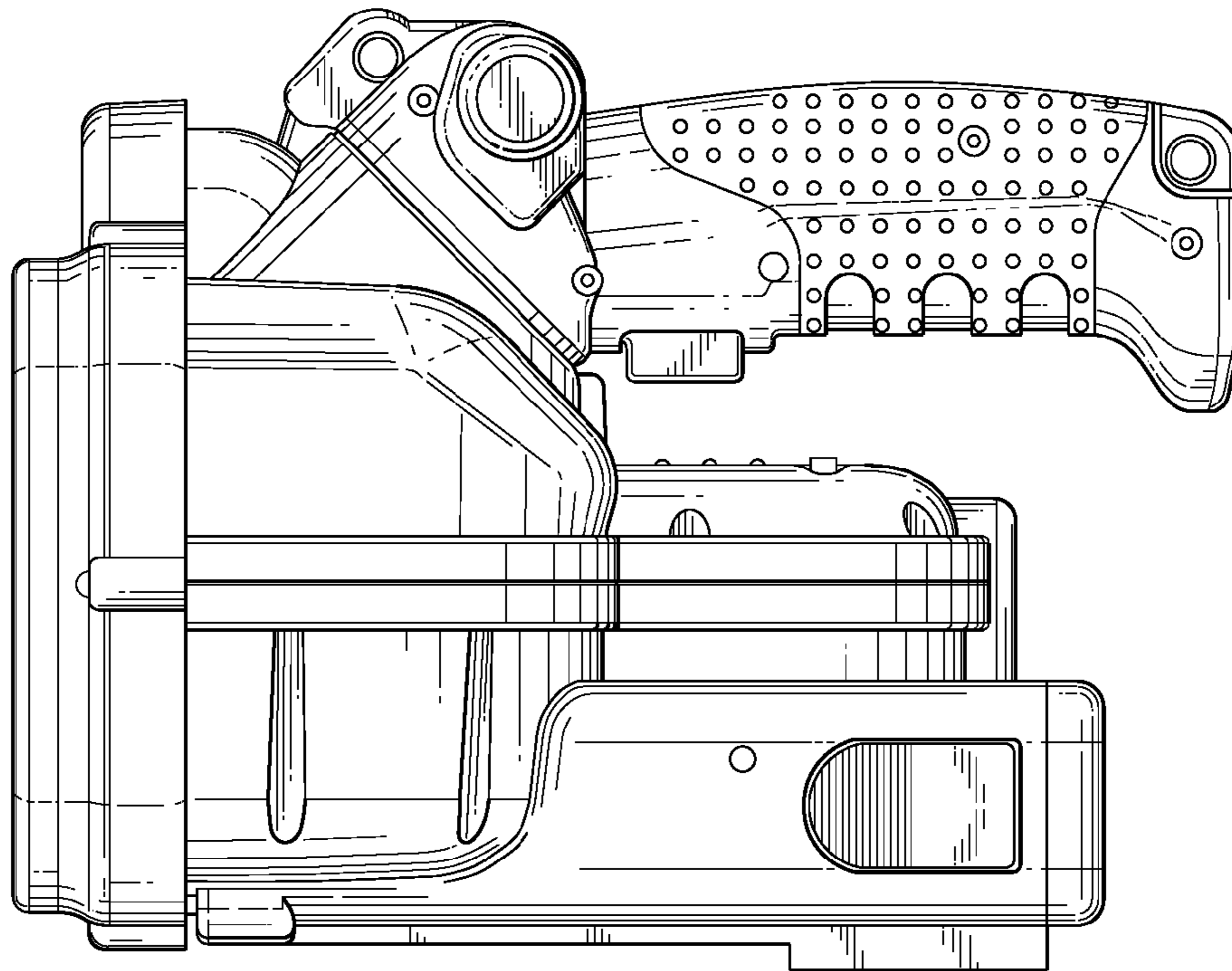


FIG. 11

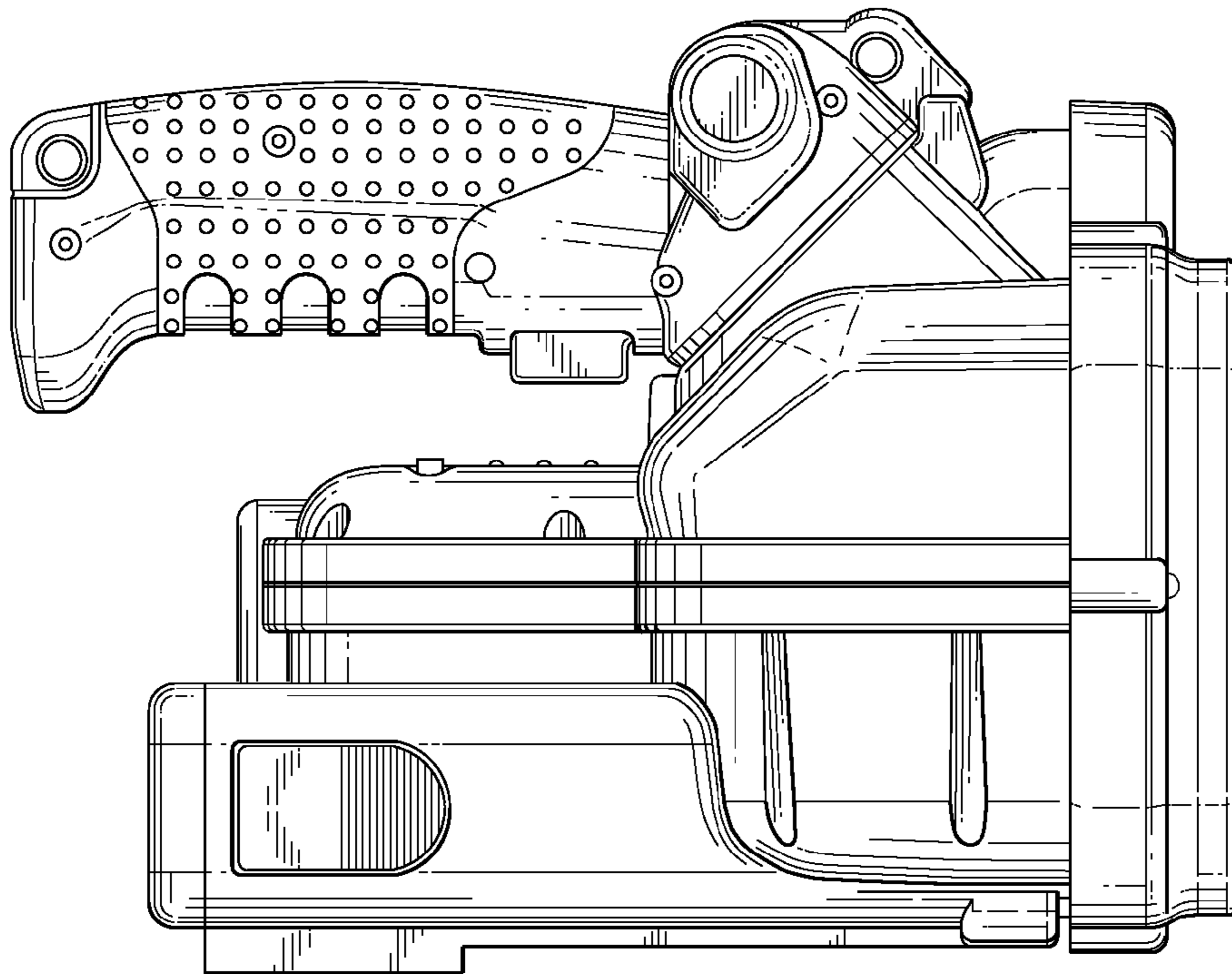


FIG. 12

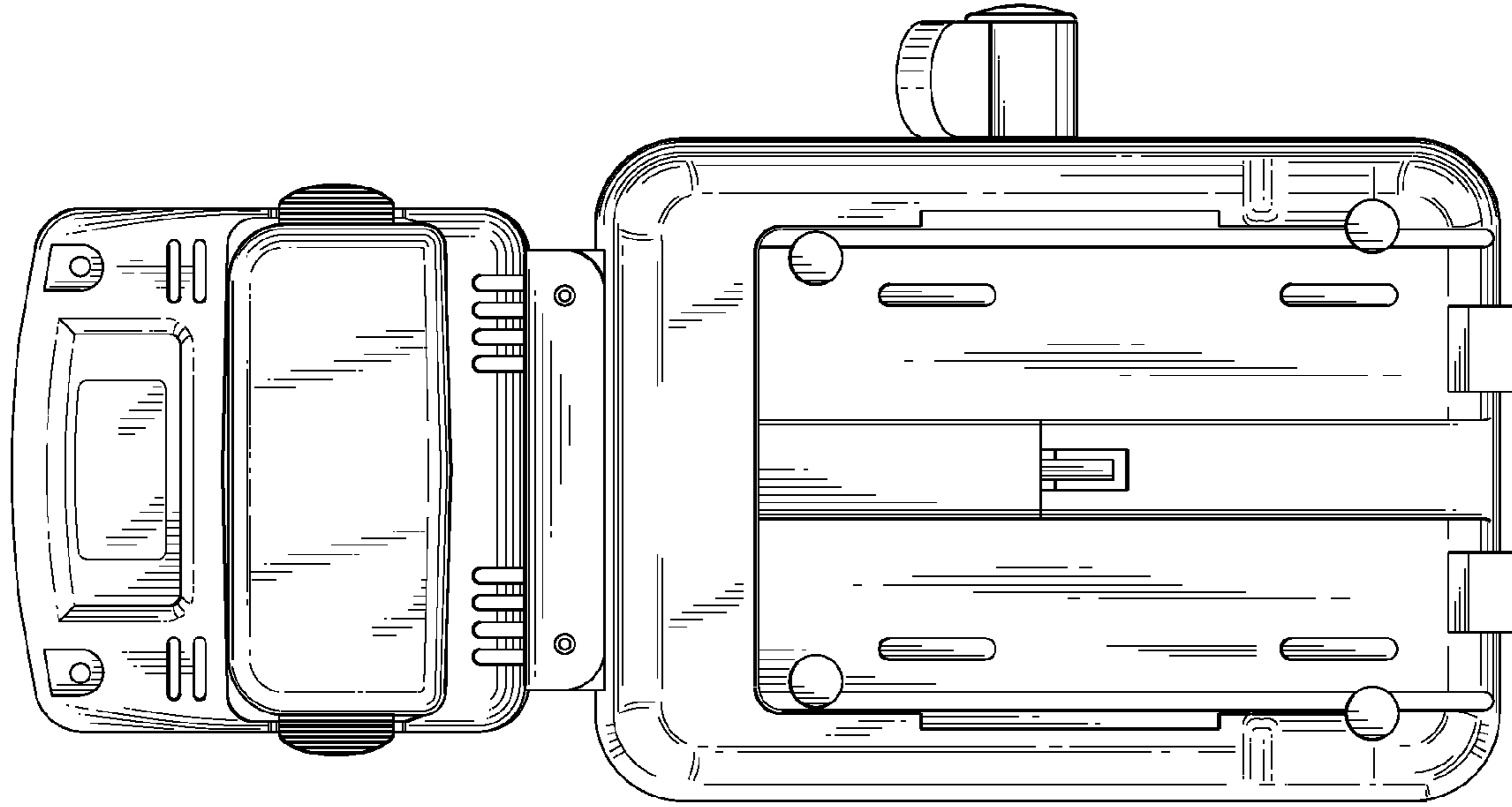


FIG.18

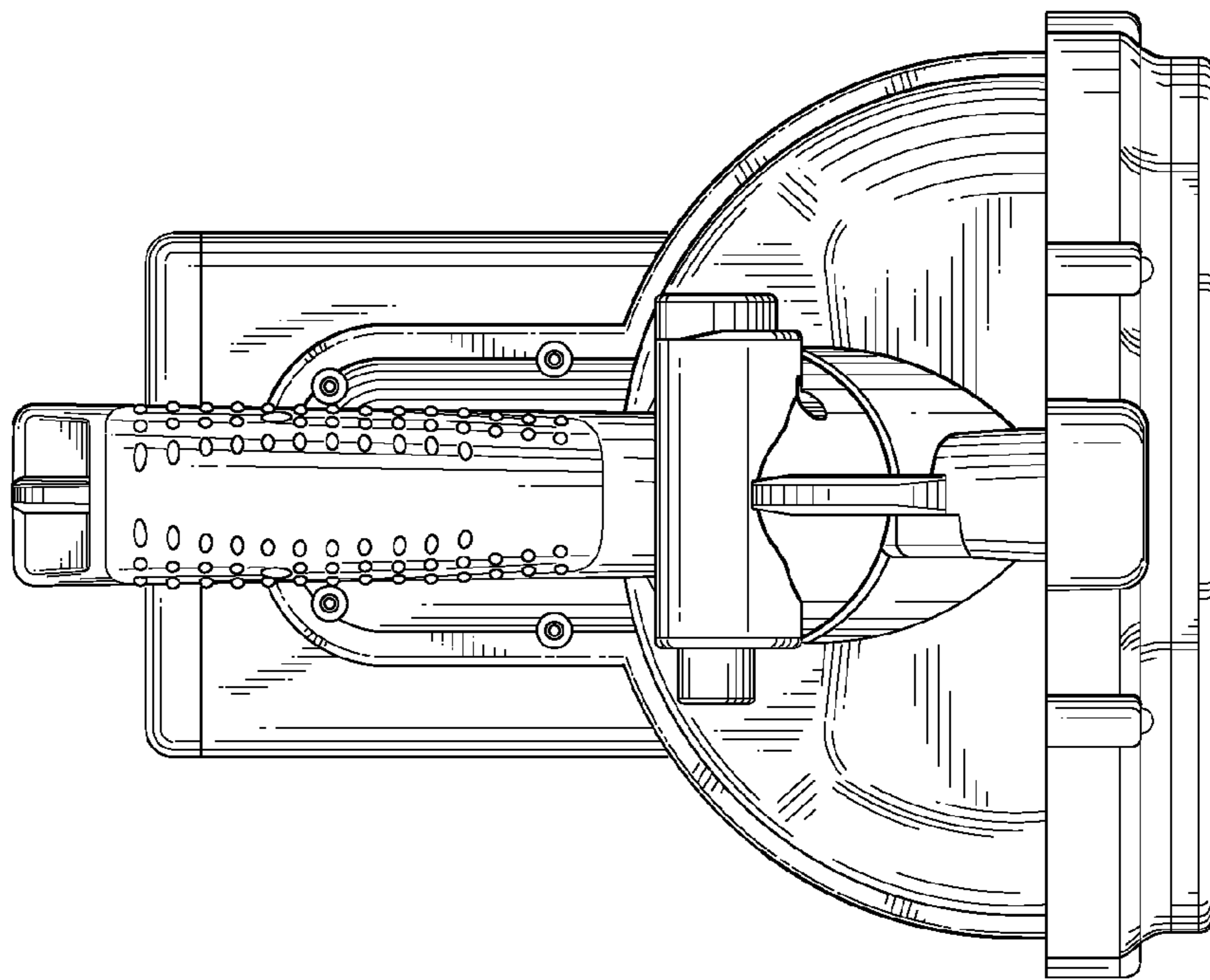


FIG.13

FIG.14

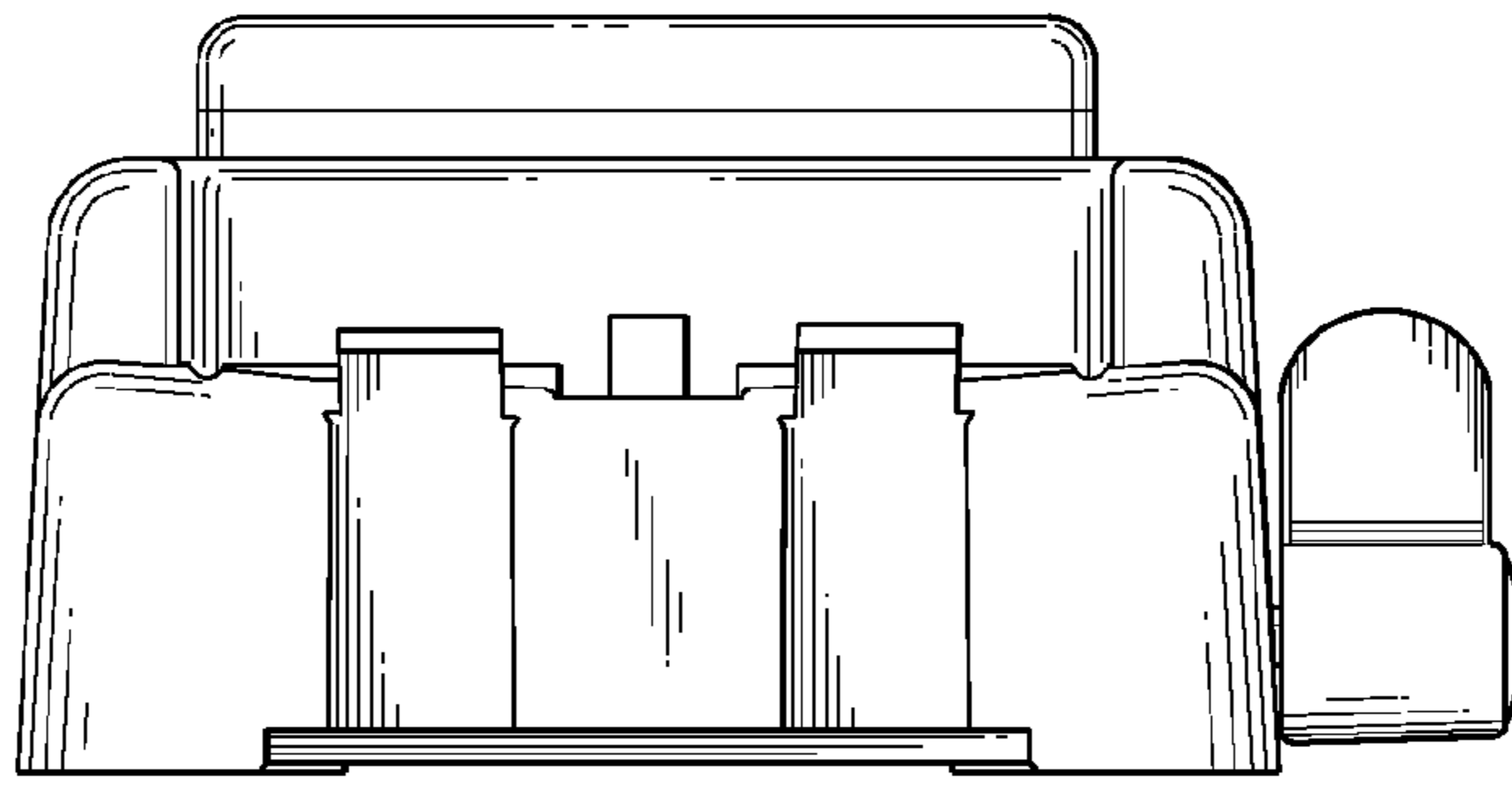


FIG.15

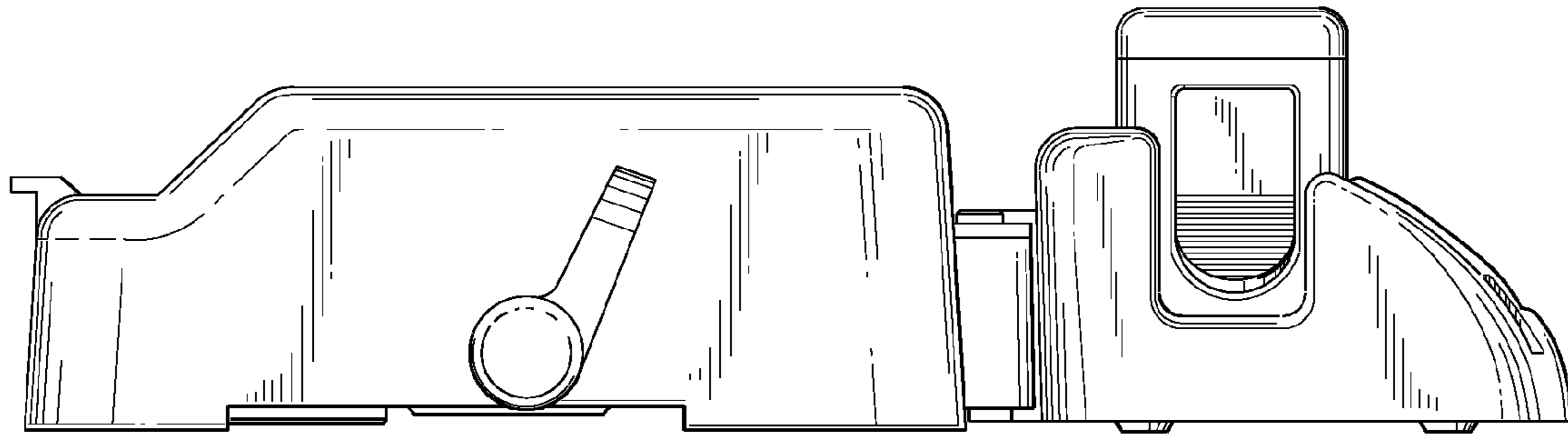
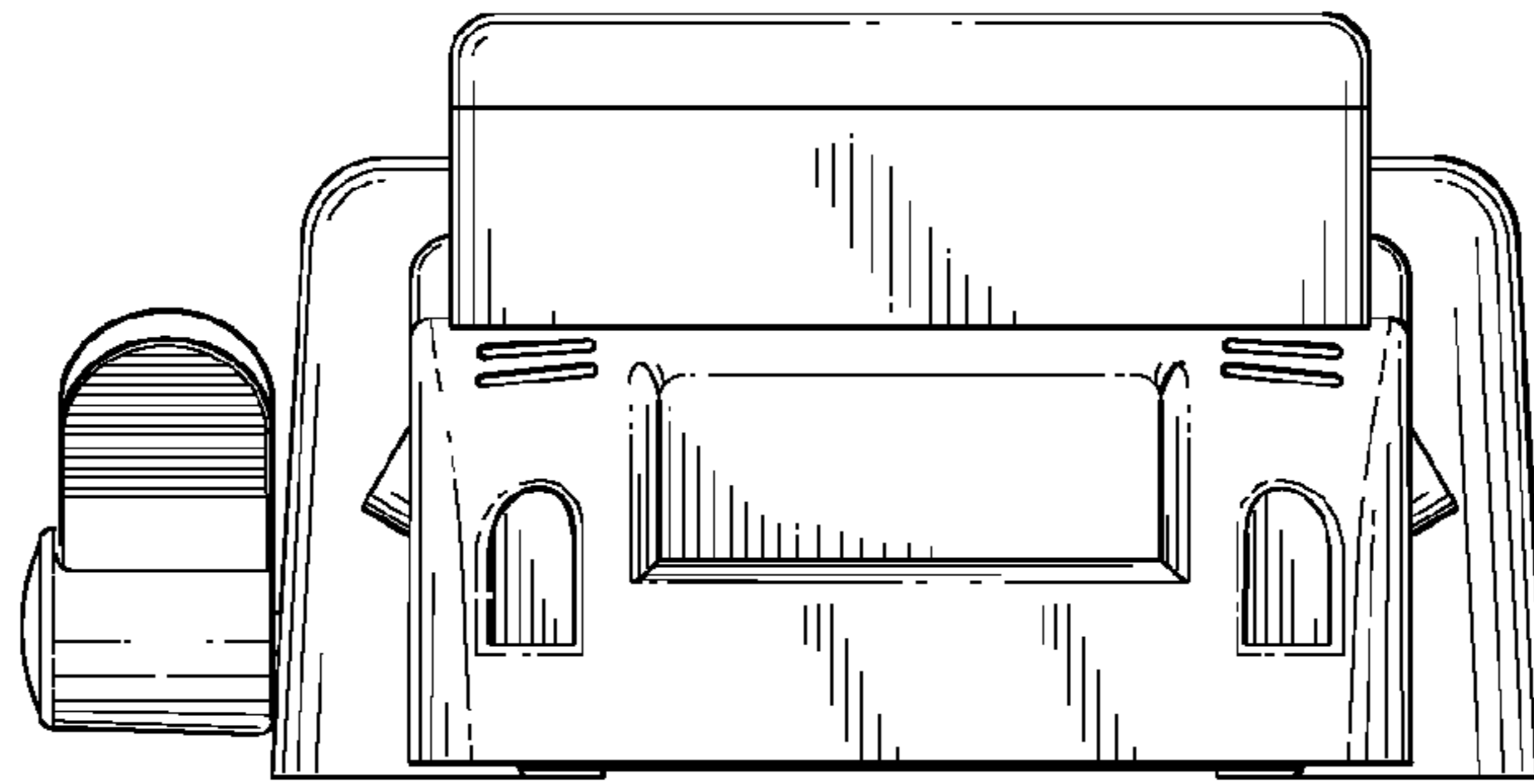


FIG.16

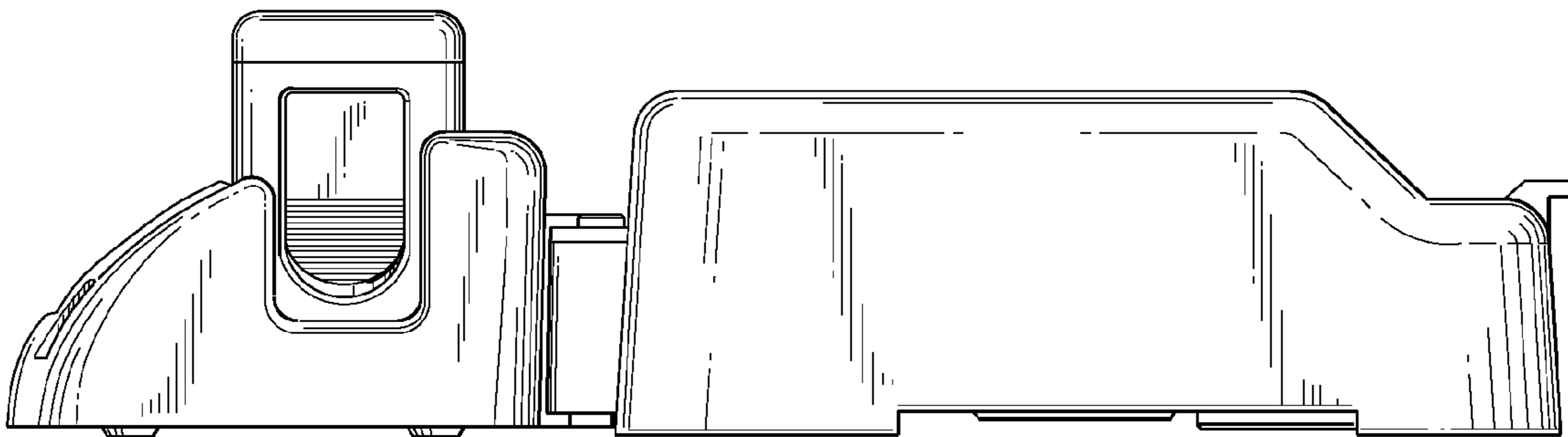


FIG.17