



US00D556351S

(12) **United States Design Patent**
Tsai

(10) **Patent No.:** **US D556,351 S**

(45) **Date of Patent:** **** Nov. 27, 2007**

(54) **CLEARANCE SIDEMARKER AND IDENTIFICATION LAMP**

D519,232 S * 4/2006 Columbro D26/28
D519,656 S * 4/2006 Howser D26/28

(75) Inventor: **Hsi-Hsien Tsai**, Tainan (TW)

* cited by examiner

(73) Assignee: **Lucidity Enterprise Co., Ltd.**, An-Nan District, Tainan (TW)

Primary Examiner—Marcus A. Jackson

(**) Term: **14 Years**

(57) **CLAIM**

(21) Appl. No.: **29/274,536**

The ornamental design for a clearance sidemarker and identification lamp, as shown and described.

(22) Filed: **Apr. 30, 2007**

DESCRIPTION

(51) **LOC (8) Cl.** **26-06**

FIG. 1 is a perspective view of a clearance sidemarker and identification lamp showing my design;

(52) **U.S. Cl.** **D26/28**

FIG. 2 is a front elevational view thereof;

(58) **Field of Classification Search** D26/28-36;
362/61, 80, 81, 82, 83, 269, 275, 330-340
See application file for complete search history.

FIG. 3 is a rear elevational view thereof;

FIG. 4 is a left side elevational view thereof;

FIG. 5 is a right side elevational view thereof;

FIG. 6 is a top plan view thereof; and,

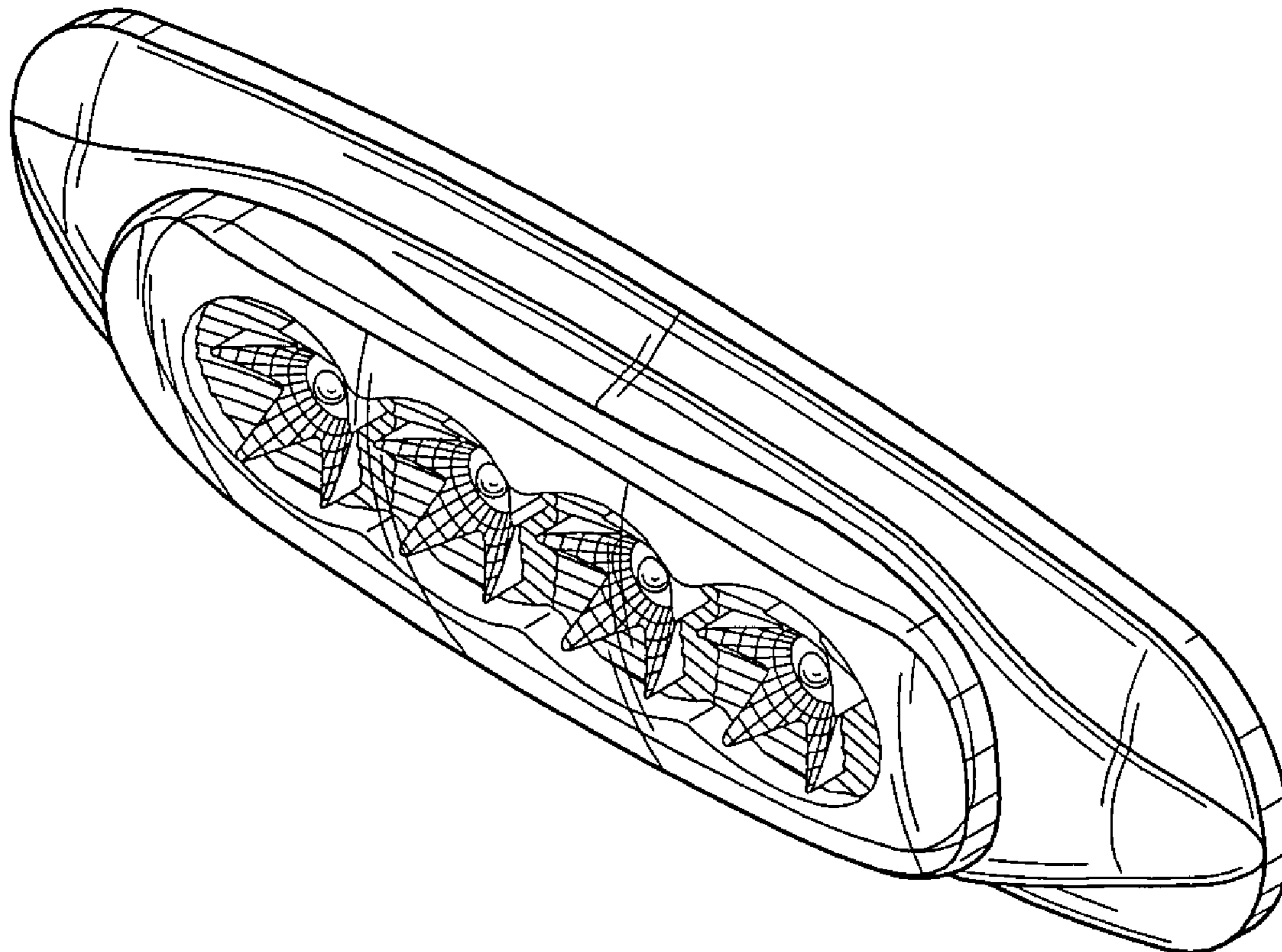
FIG. 7 is a bottom plan view thereof.

(56) **References Cited**

U.S. PATENT DOCUMENTS

D437,650 S * 2/2001 Moore D26/28
D509,006 S * 8/2005 Shimada D26/28

1 Claim, 4 Drawing Sheets



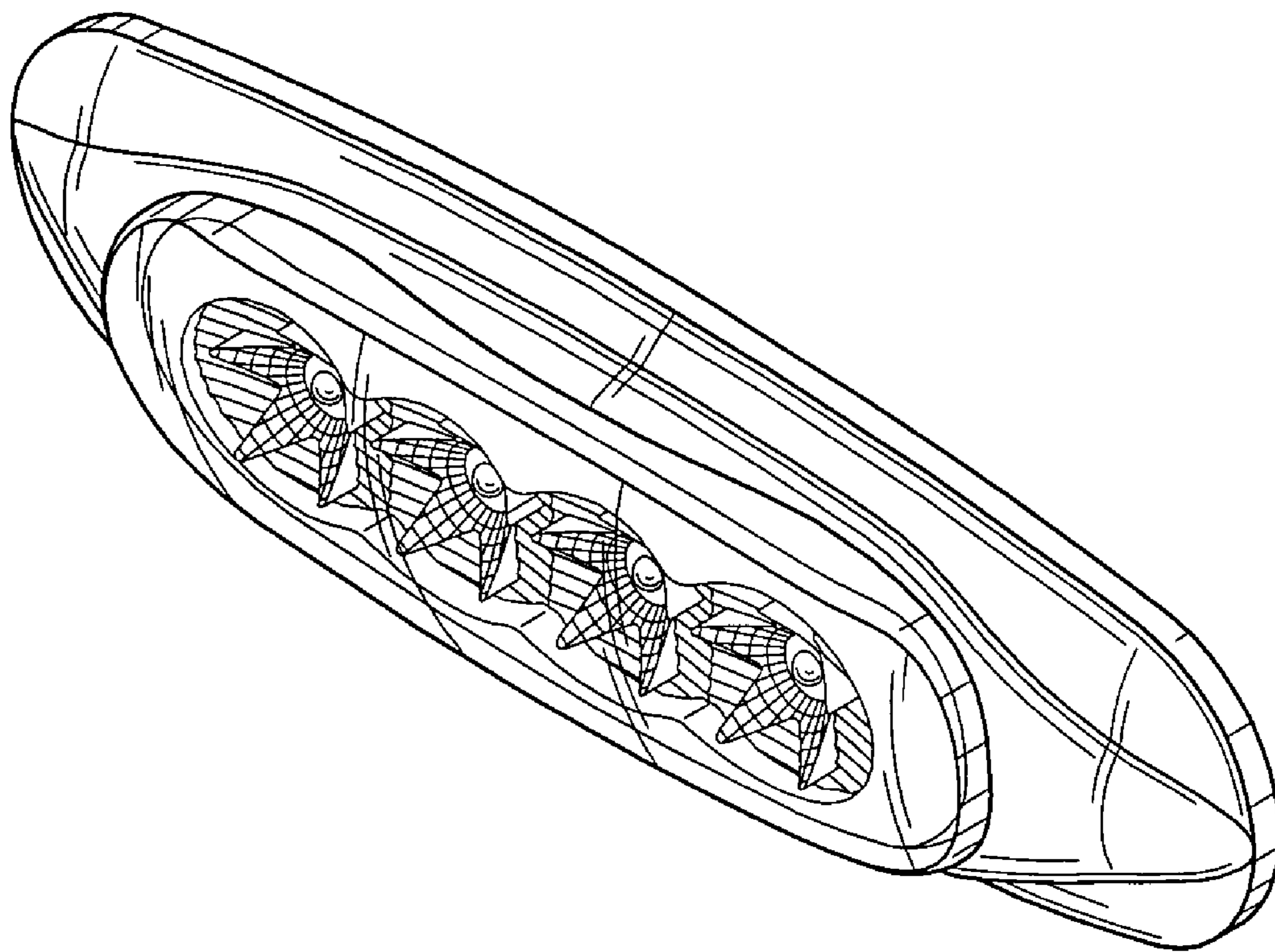


FIG. 1

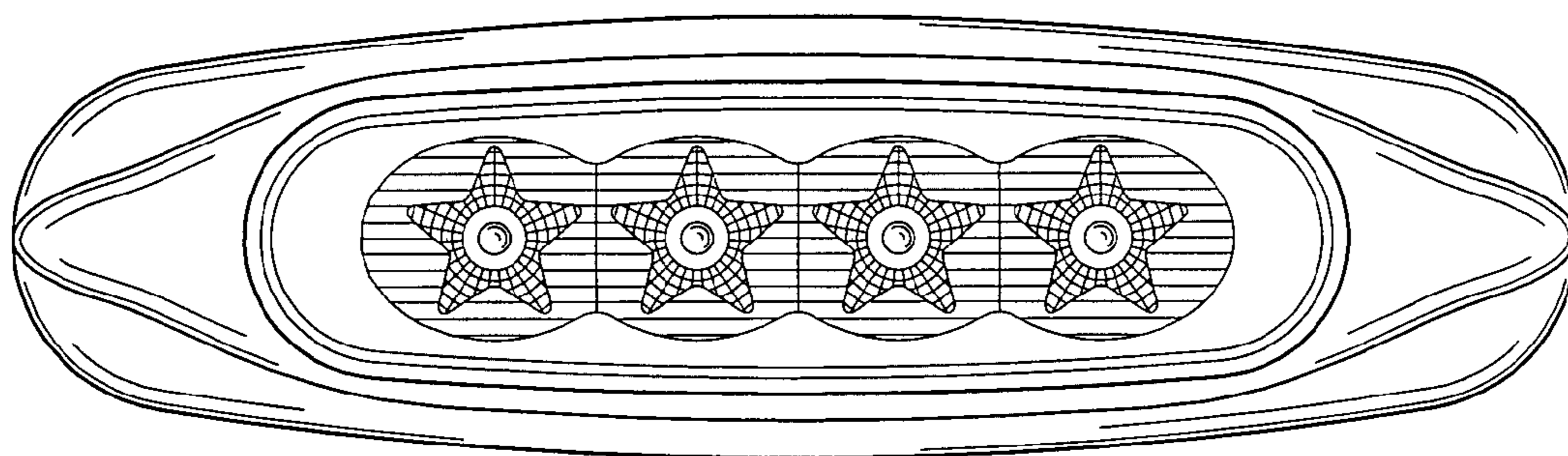


FIG. 2

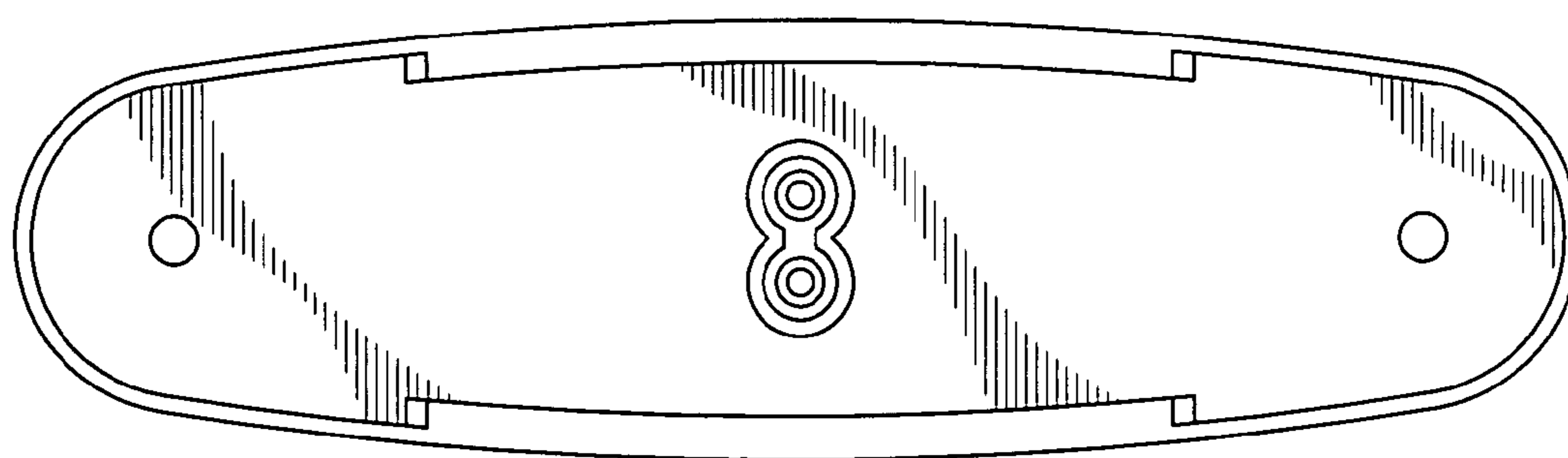


FIG. 3

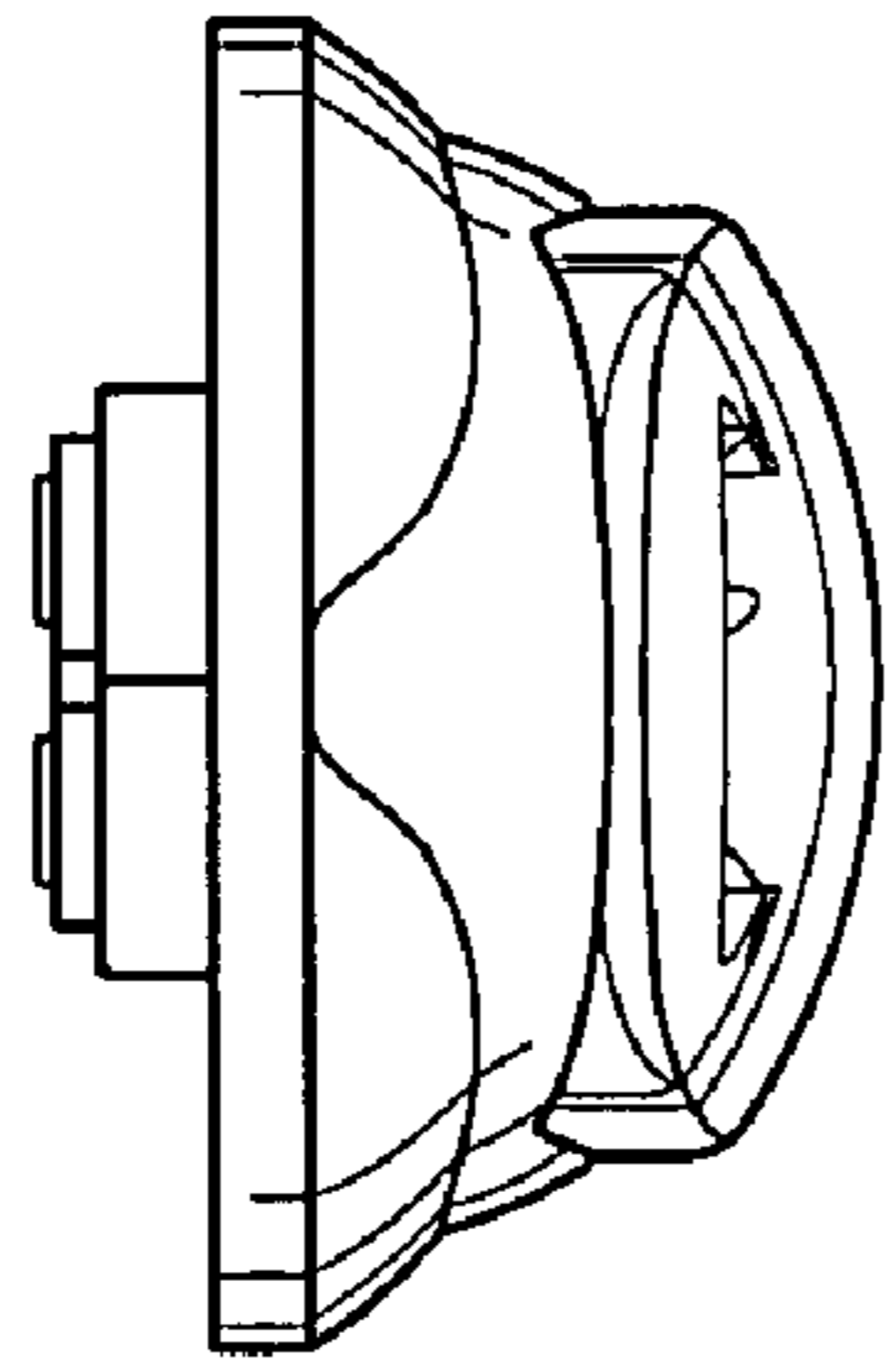


FIG. 4

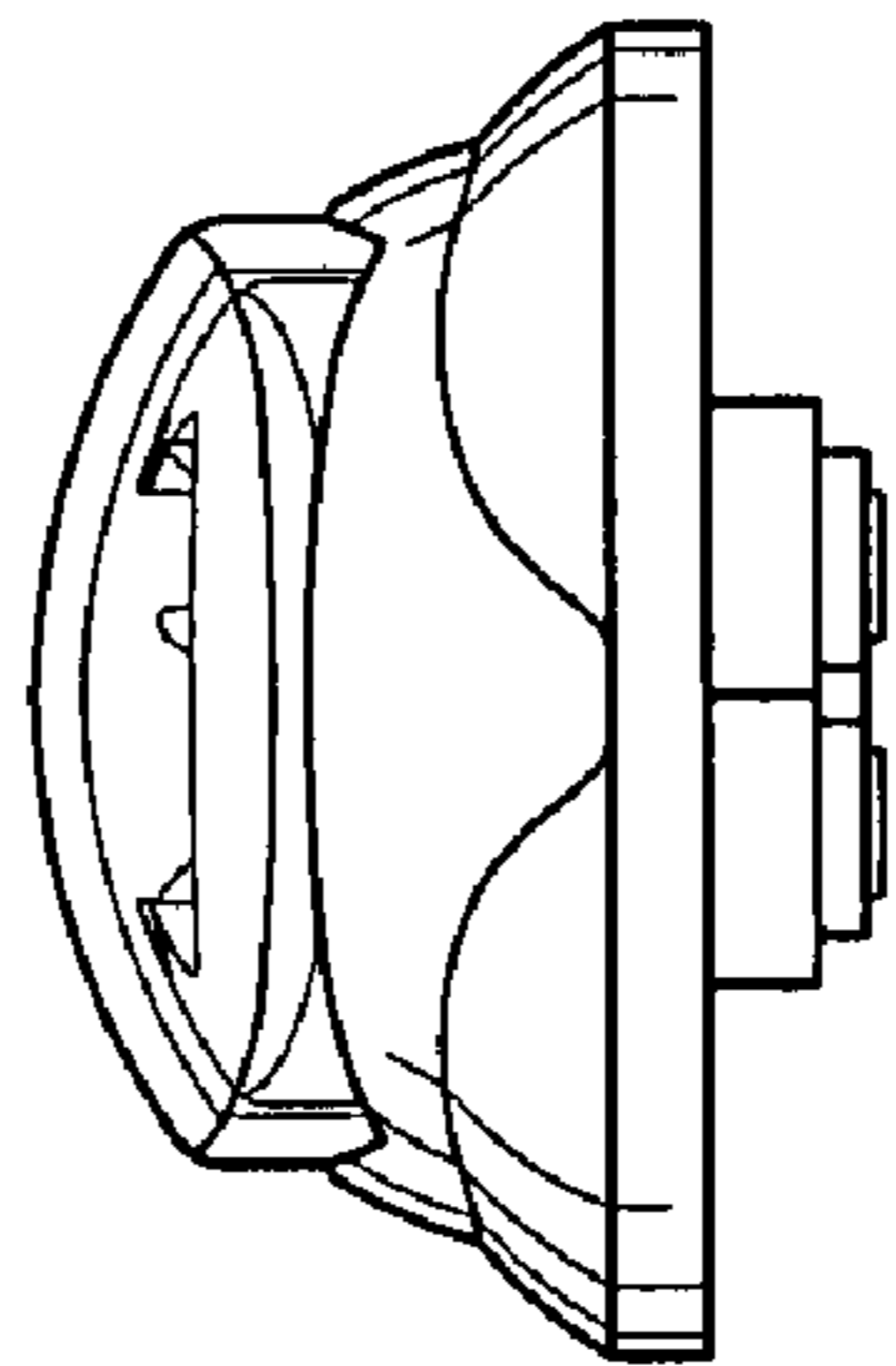


FIG. 5

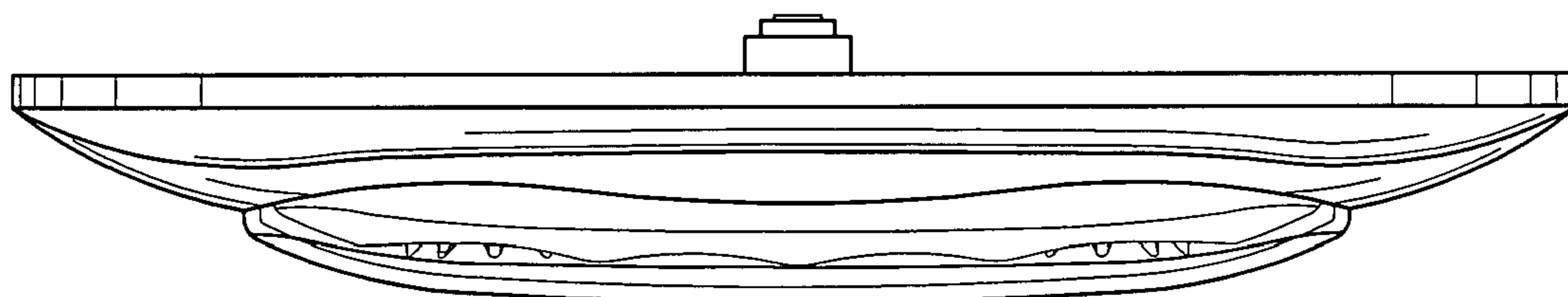


FIG. 6

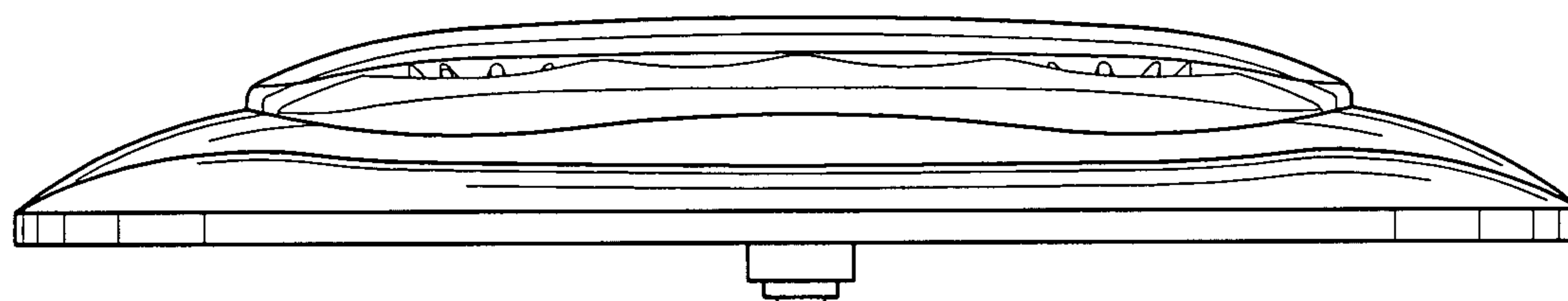


FIG. 7