



US00D556345S

(12) **United States Design Patent**
Desjoyaux et al.

(10) **Patent No.:** **US D556,345 S**

(45) **Date of Patent:** **** Nov. 27, 2007**

(54) **SWIMMING POOL STAIRCASE**

(56) **References Cited**

(75) Inventors: **Jean-Louis Desjoyaux**, Chalain le Comtal (FR); **Pierre-Louis Desjoyaux**, La Fouillouse (FR); **Catherine Jandros**, L'Etrat (FR)

U.S. PATENT DOCUMENTS

3,755,981 A * 9/1973 West 52/184
5,916,099 A * 6/1999 Hall 52/169.7
D465,032 S * 10/2002 Robbins et al. D25/63

* cited by examiner

(73) Assignee: **Piscines Desjoyaux** (FR)

Primary Examiner—Doris Clark

(**) Term: **14 Years**

(74) *Attorney, Agent, or Firm*—Cantor Colburn LLP

(21) Appl. No.: **29/258,714**

(57) **CLAIM**

(22) Filed: **Apr. 26, 2006**

We claim, the ornamental design for a swimming pool staircase, as shown and described.

(30) **Foreign Application Priority Data**

DESCRIPTION

Oct. 26, 2005 (EM) 000421268-0001

FIG. 1 is a front and right side elevational perspective of a swimming pool staircase, showing our new design;

(51) **LOC (8) Cl.** **25-04**

FIG. 2 is a front and left side elevational perspective thereof,

(52) **U.S. Cl.** **D25/63; D25/65**

FIG. 3 is a top plan view thereof; and,

(58) **Field of Classification Search** D25/2,

FIG. 4 is a right side plan view thereof, the left side being a mirror view thereof.

D25/62, 63, 65; 4/506, 488, 496; 182/191,

182/182, 184

See application file for complete search history.

1 Claim, 4 Drawing Sheets

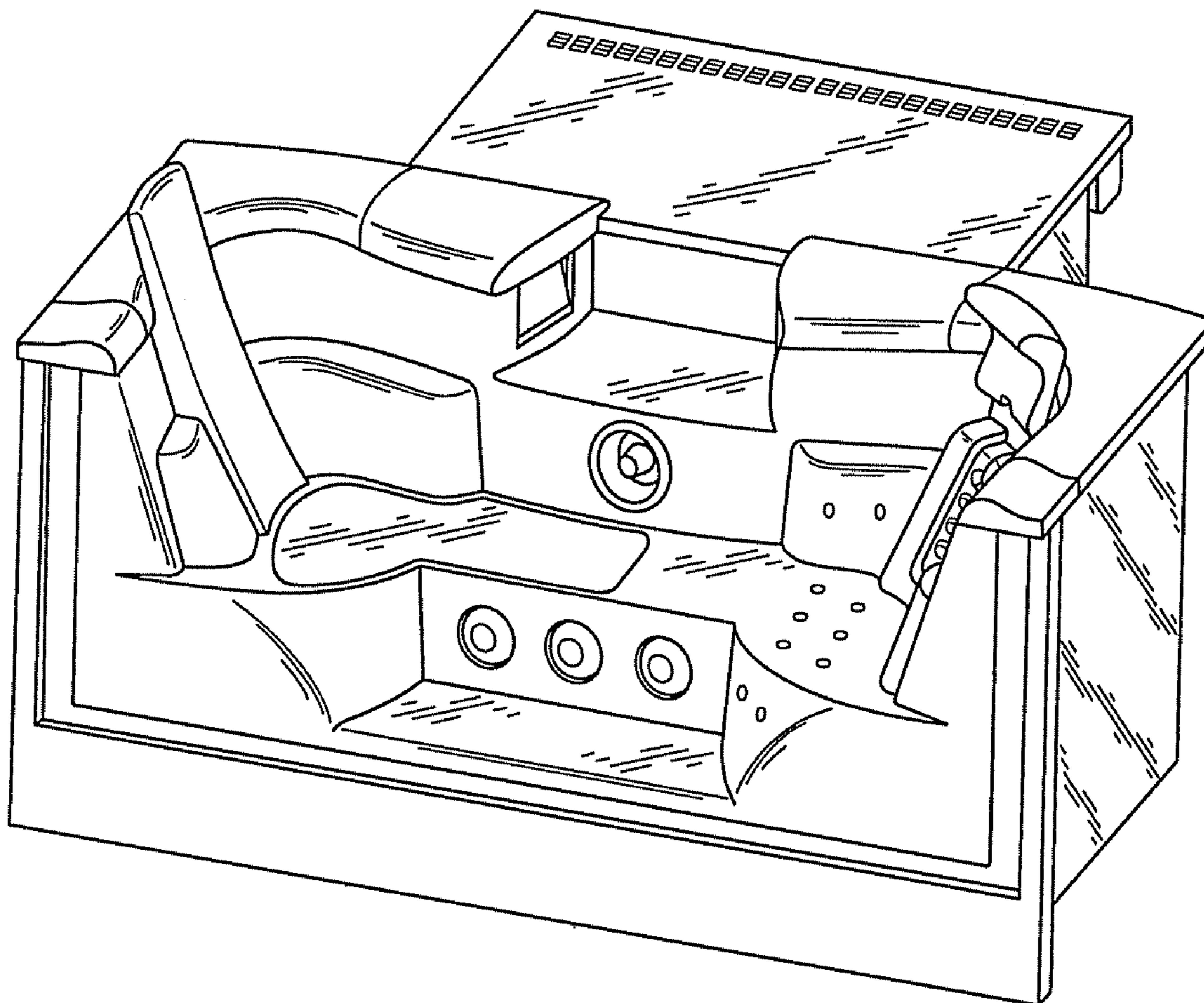


FIG. 1

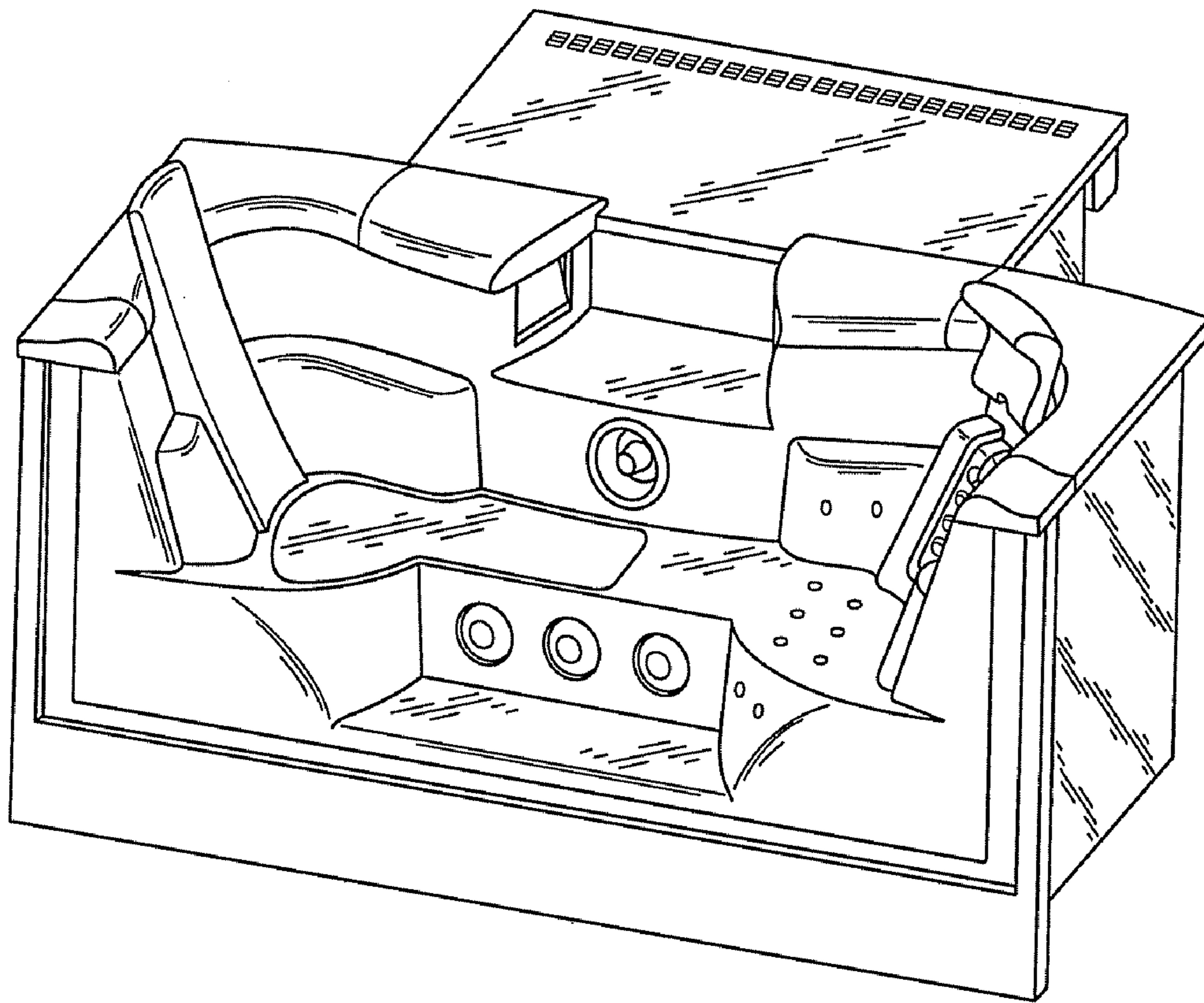


FIG. 2

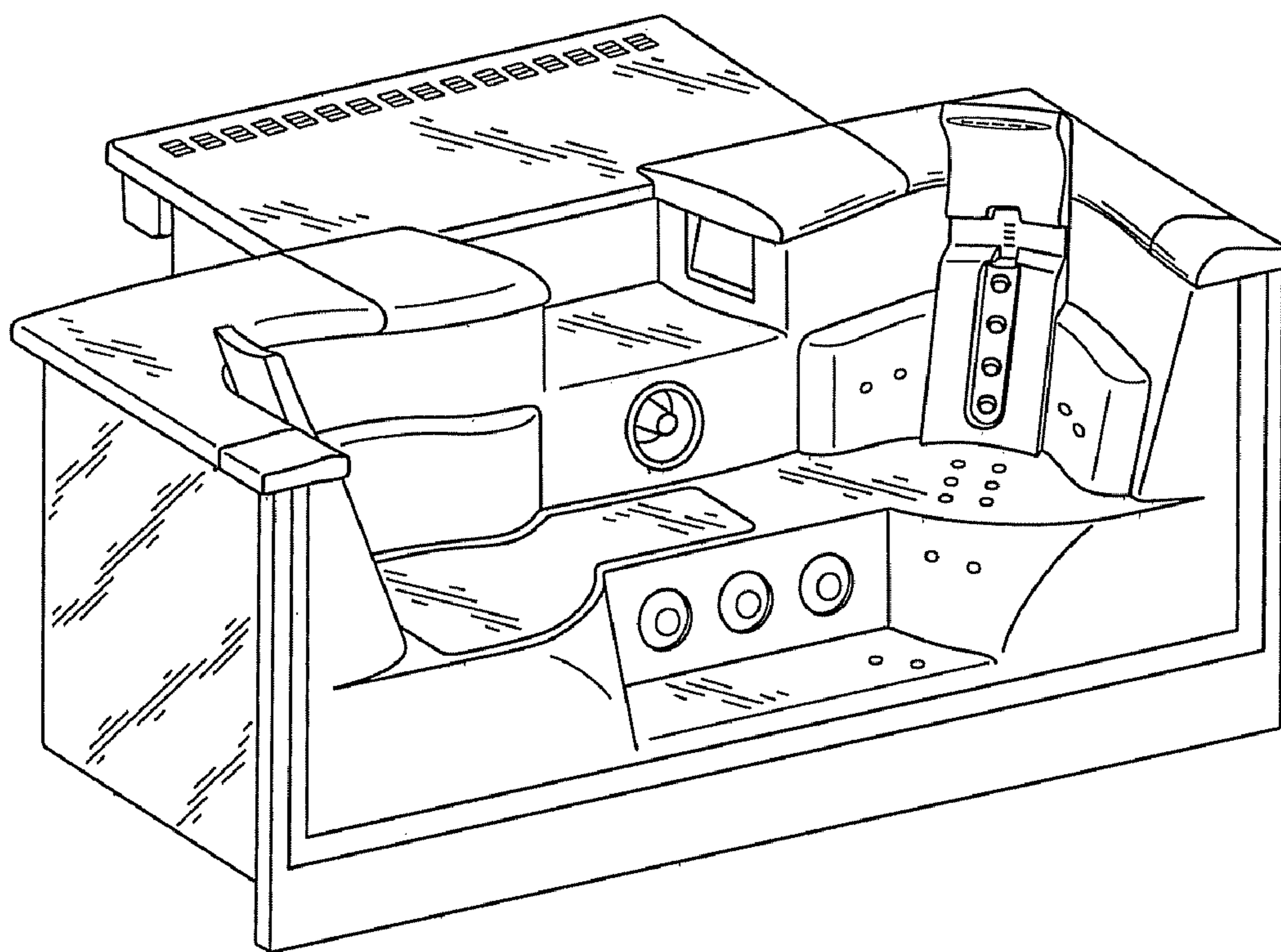


FIG. 3

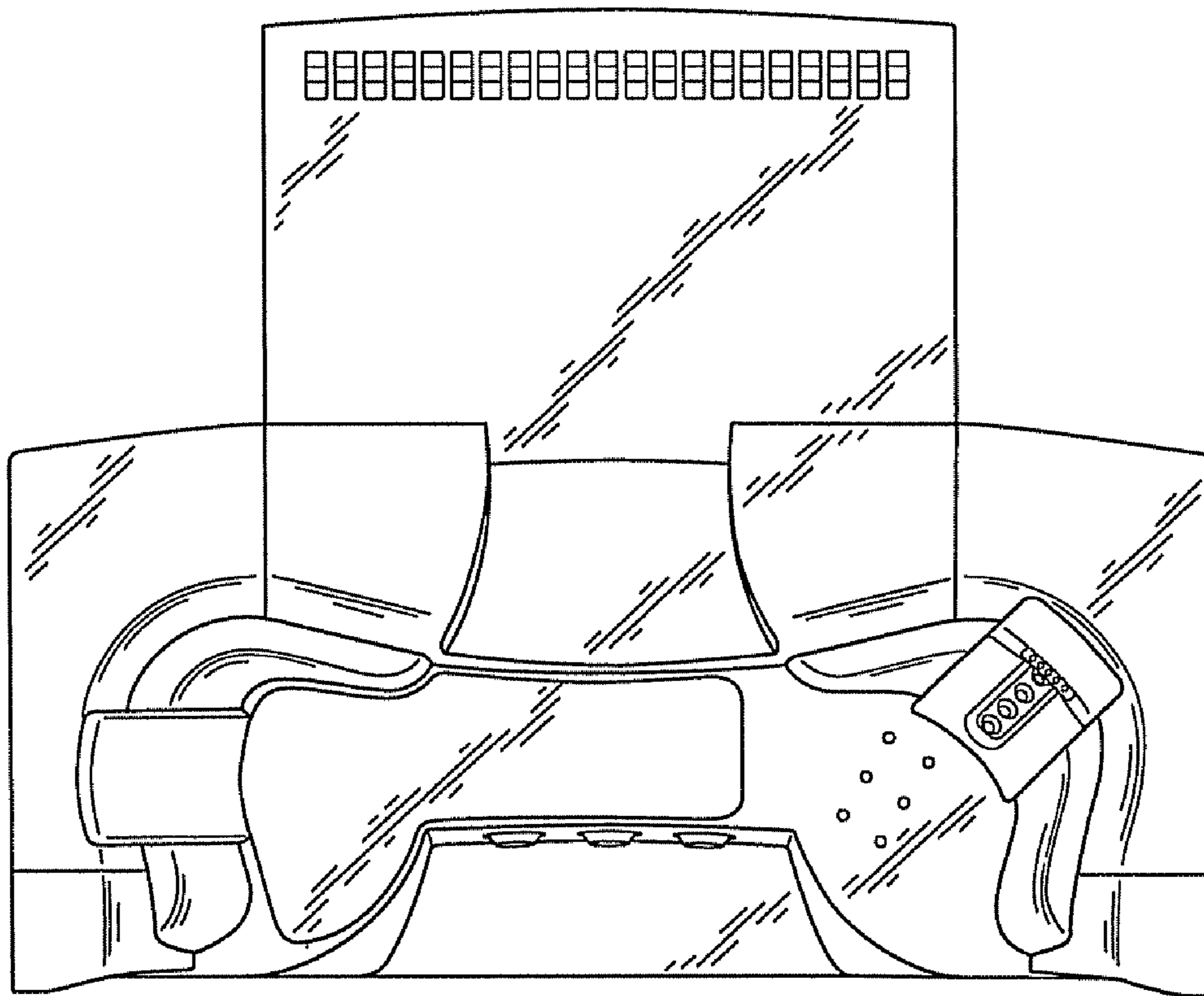


FIG. 4

