



US00D556343S

(12) **United States Design Patent** (10) **Patent No.:** **US D556,343 S**  
**Walker** (45) **Date of Patent:** **\*\* \*Nov. 27, 2007**

(54) **PICKET SPACER**  
(75) Inventor: **Simon Walker**, Delta (CA)  
(73) Assignee: **Peak Innovations Inc.**, Richmond,  
British Columbia (CA)  
(\* ) Notice: This patent is subject to a terminal dis-  
claimer.  
(\*\* ) Term: **14 Years**  
(21) Appl. No.: **29/207,199**  
(22) Filed: **Jun. 10, 2004**  
(51) **LOC (8) Cl.** ..... **25-02**  
(52) **U.S. Cl.** ..... **D25/38**  
(58) **Field of Classification Search** ..... D25/38;  
256/1, 22, 34, 65.01  
See application file for complete search history.

(56) **References Cited**  
U.S. PATENT DOCUMENTS  
7,774 A 11/1850 Krauser et al.  
328,392 A \* 10/1885 Dudley ..... 256/24  
5,131,630 A \* 7/1992 Nash ..... 256/12.5  
6,254,064 B1 7/2001 Gibbs  
D451,205 S \* 11/2001 Erwin ..... D25/38

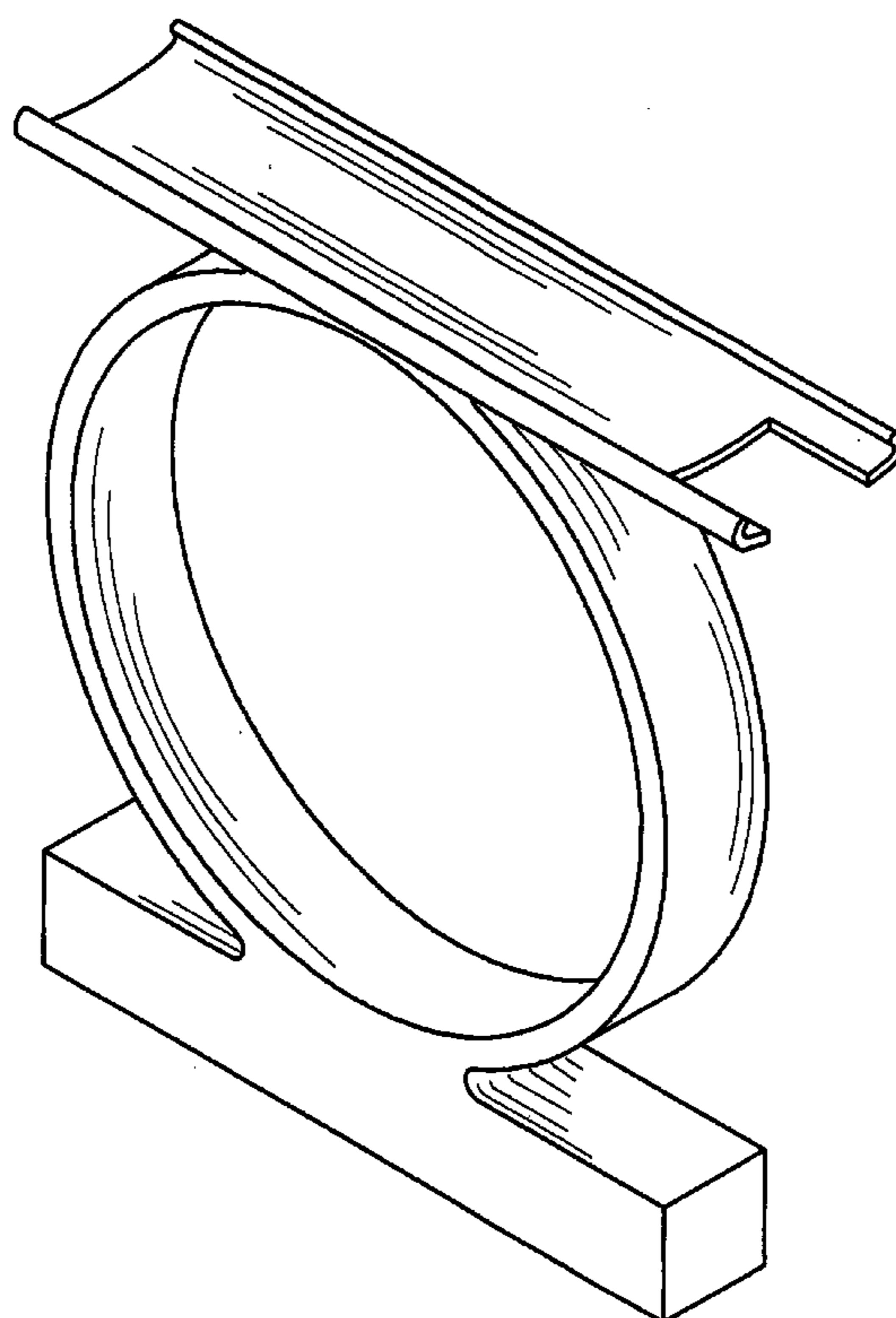
FOREIGN PATENT DOCUMENTS  
CA 1223472 6/1987

CA 2387296 11/2002  
\* cited by examiner  
*Primary Examiner*—Doris Clark  
(57) **CLAIM**  
The ornamental design for a picket spacer, as shown and  
described.

**DESCRIPTION**

FIG. 1 is a top perspective view of a first embodiment of the  
picket spacer;  
FIG. 2 is a top plan view of FIG. 1;  
FIG. 3 is a front elevation of FIG. 1 wherein the front and  
rear elevations are identical;  
FIG. 4 is a right side elevation of FIG. 1 wherein the right  
and left side elevations are identical;  
FIG. 5 is a bottom plan view of FIG. 1;  
FIG. 6 is a bottom perspective view of FIG. 1;  
FIG. 7 is a perspective view of a second embodiment of the  
picket spacer wherein the second embodiment has a bottom  
rail portion removed;  
FIG. 8 is a top plan view of FIG. 7;  
FIG. 9 is a front elevation of FIG. 7 wherein the front and  
rear elevations are identical;  
FIG. 10 is a right side elevation of FIG. 7 wherein the right  
and left side elevations are identical; and,  
FIG. 11 is a bottom plan view of FIG. 7.

**1 Claim, 5 Drawing Sheets**



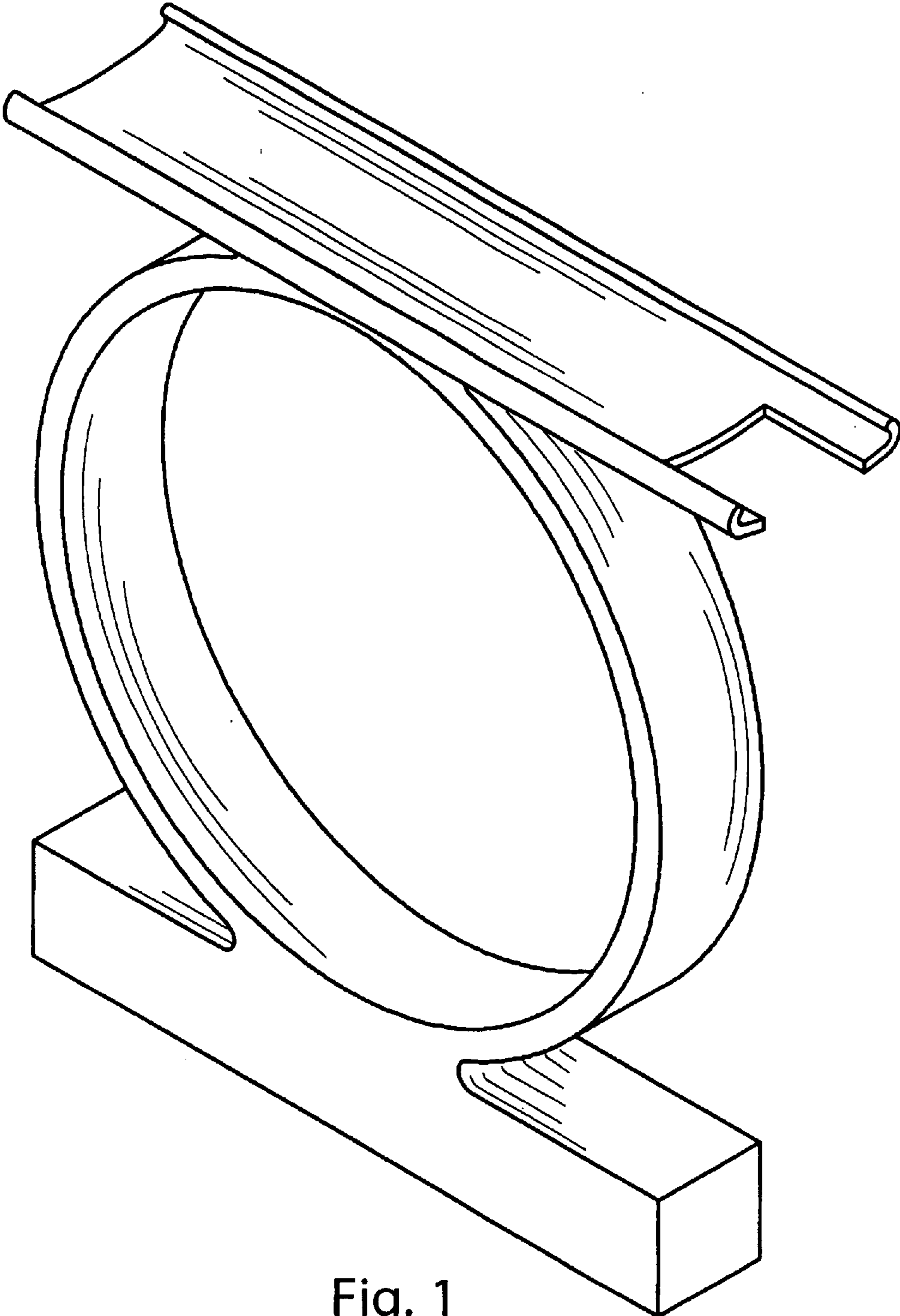


Fig. 1

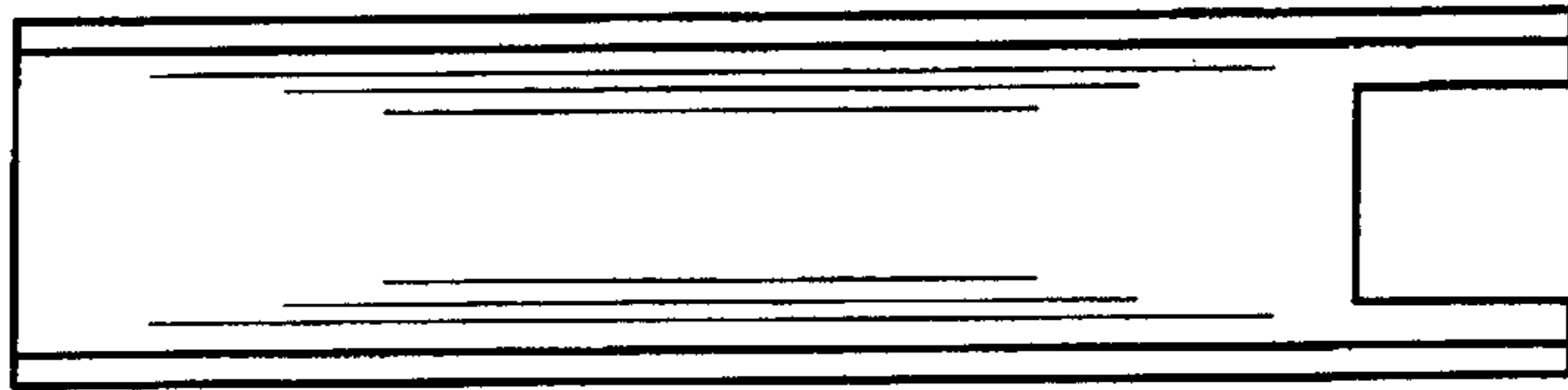


Fig. 2

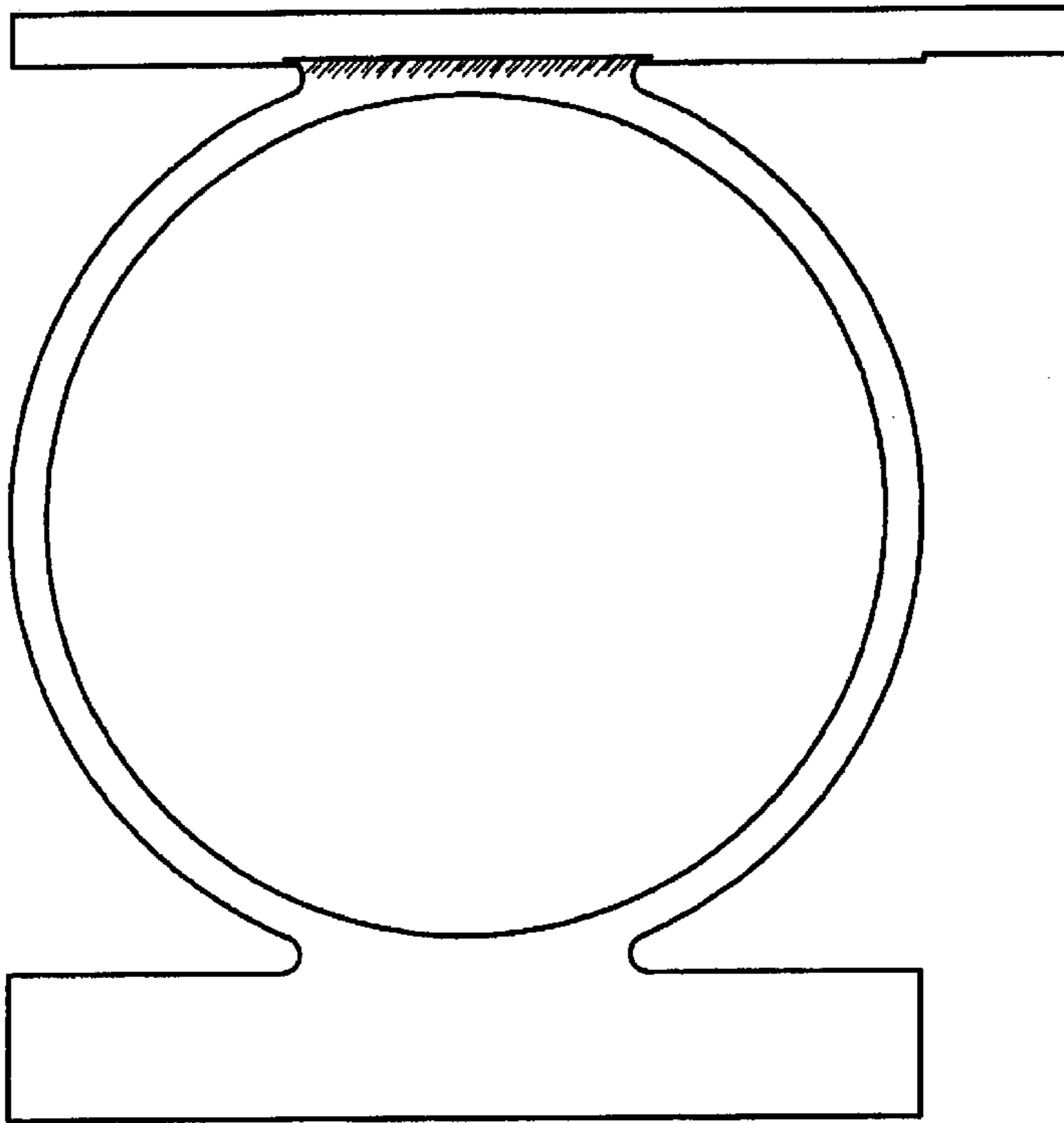


Fig. 3

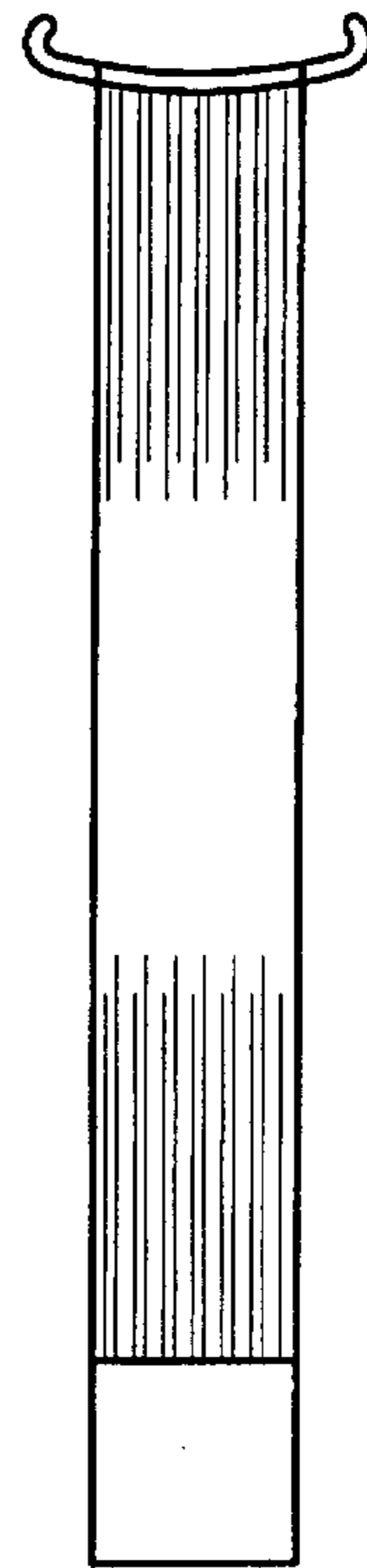


Fig. 4

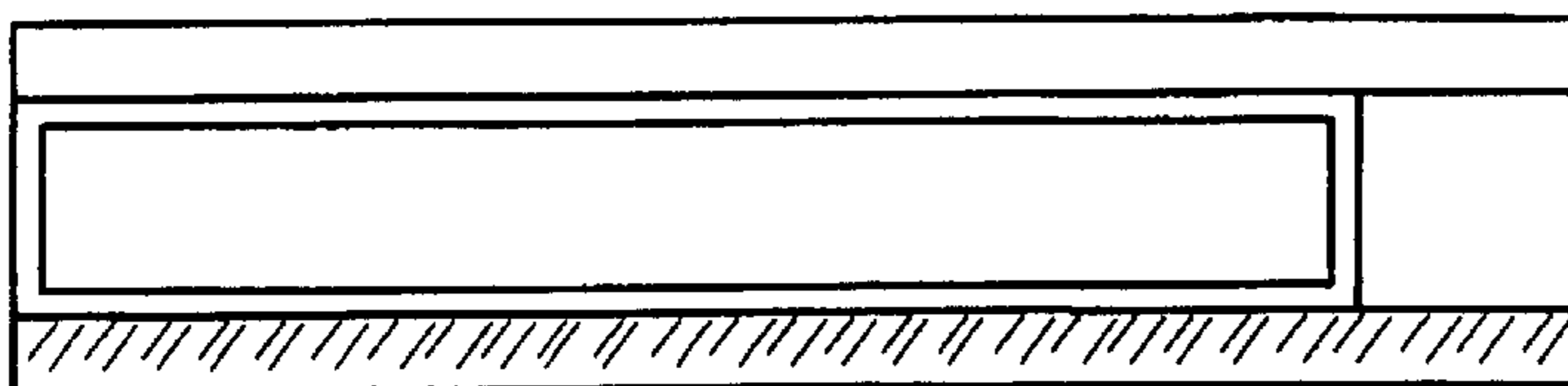


Fig. 5

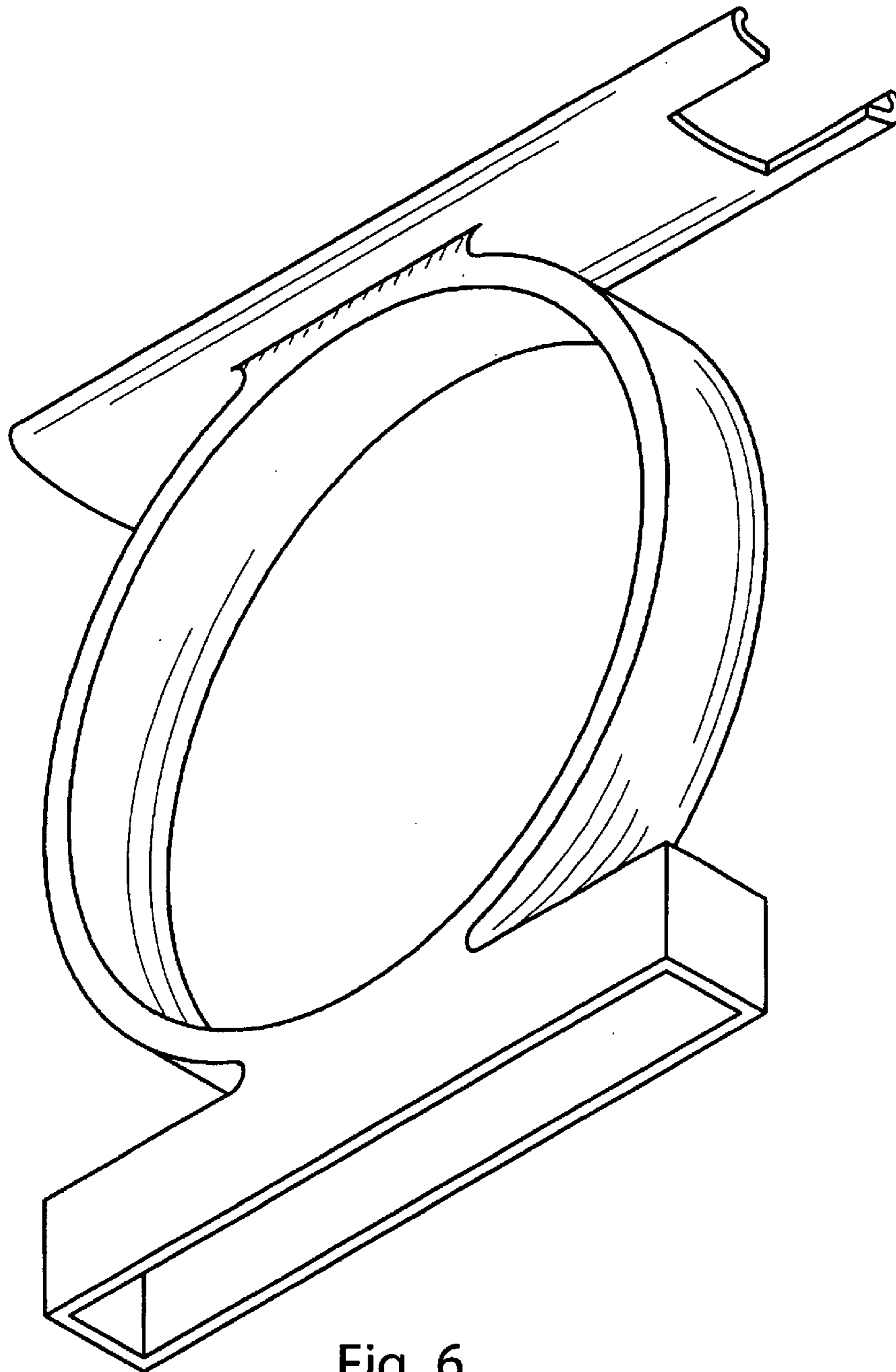


Fig. 6

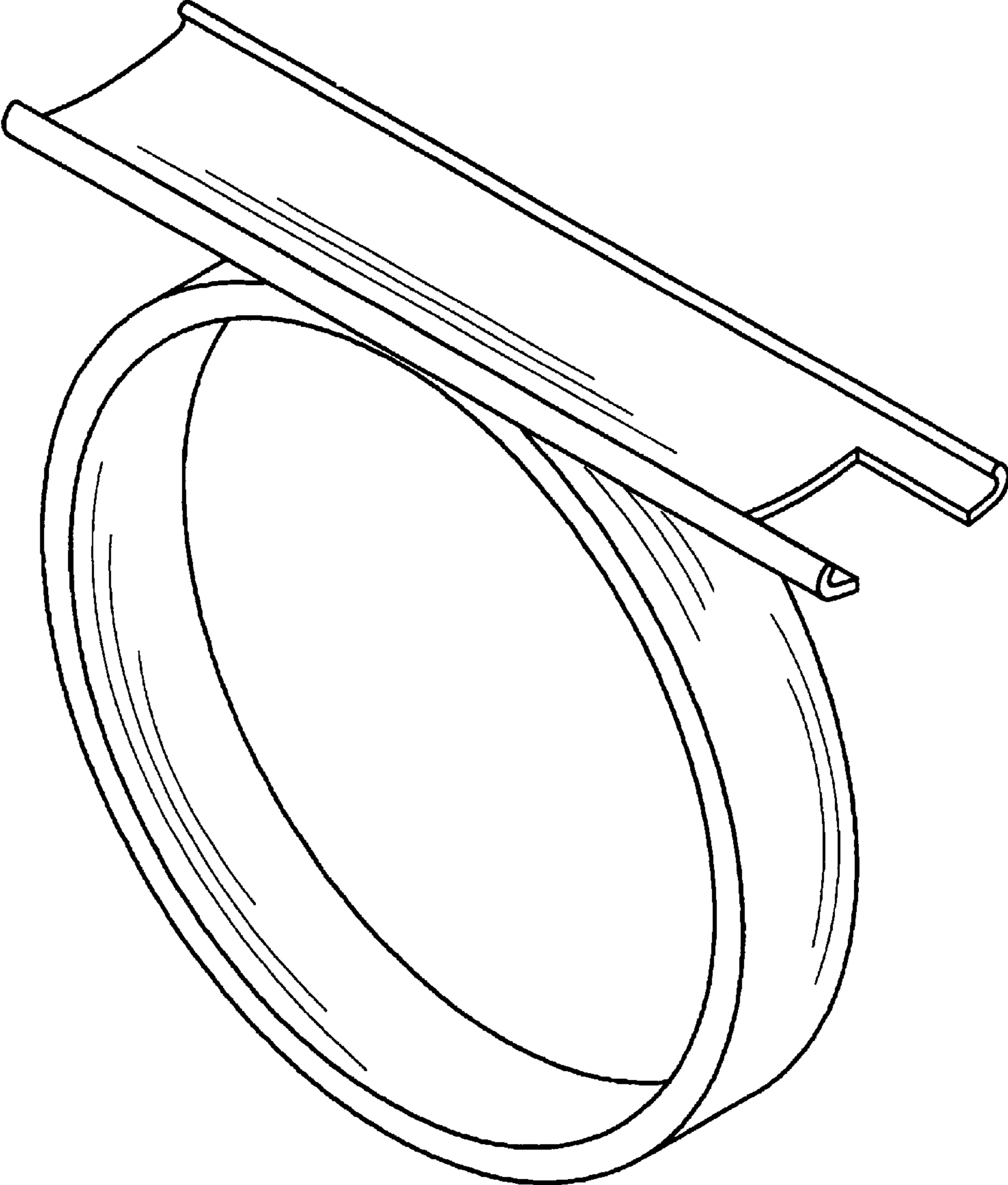


Fig. 7

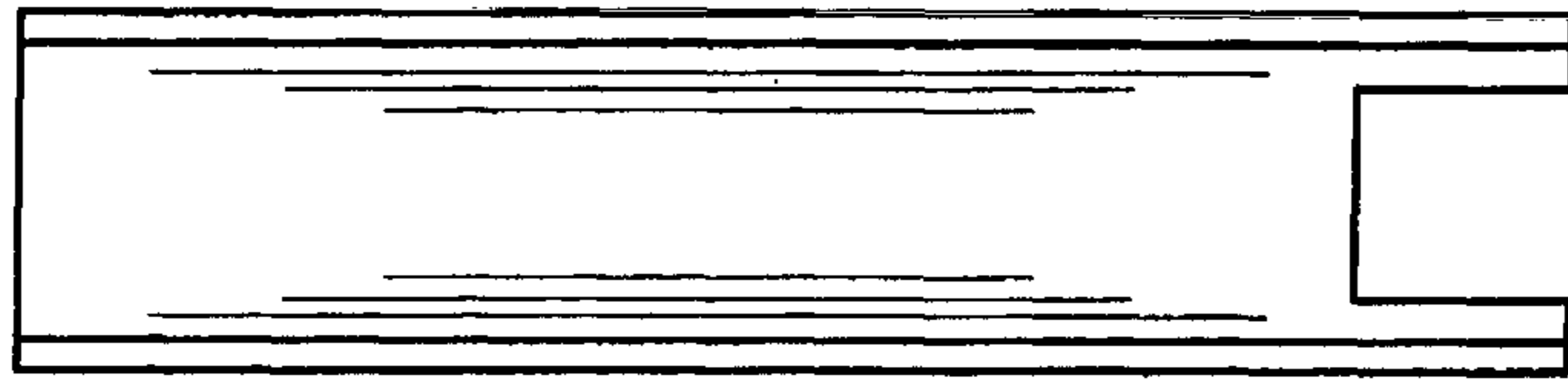


Fig. 8

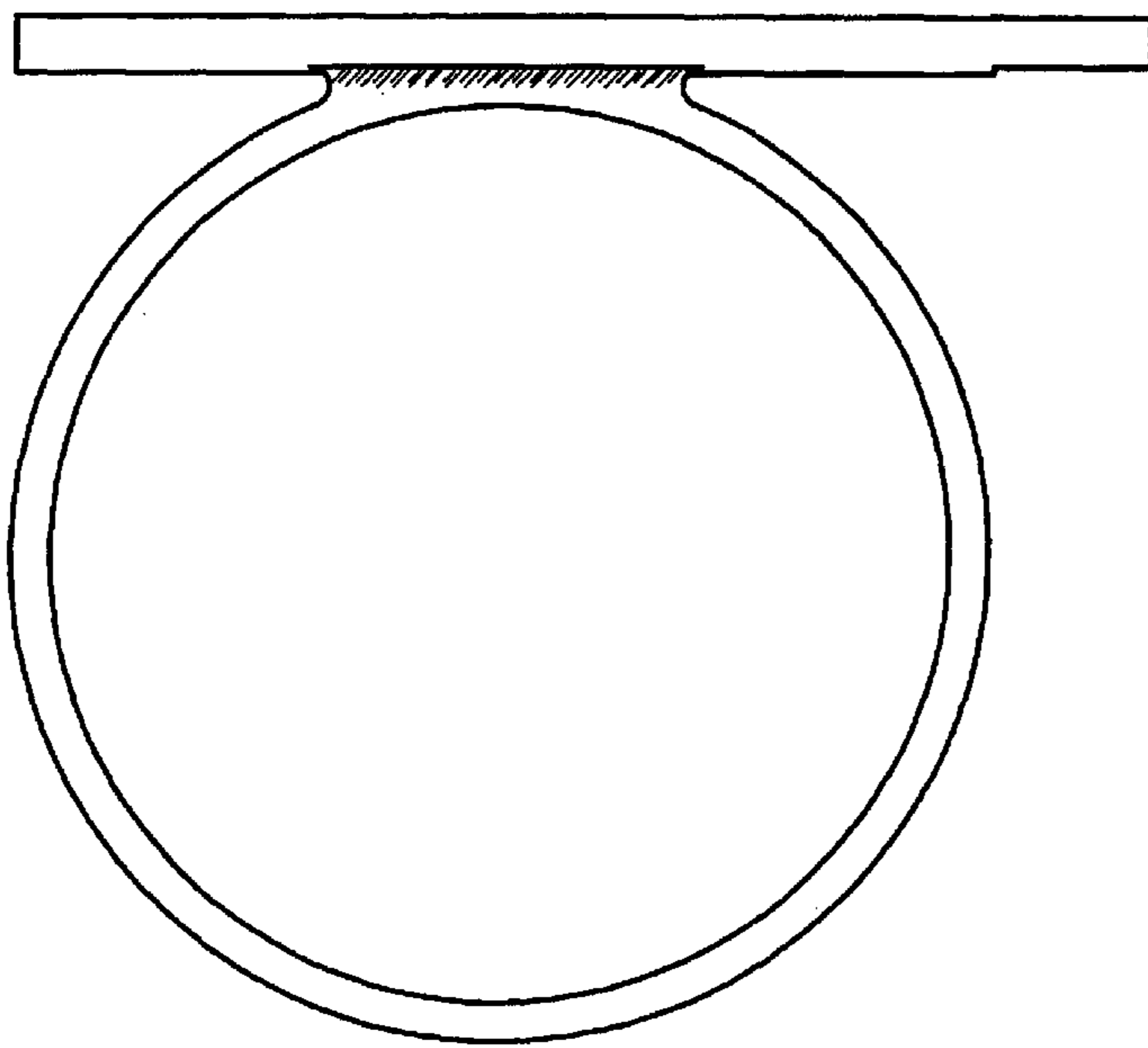


Fig. 9

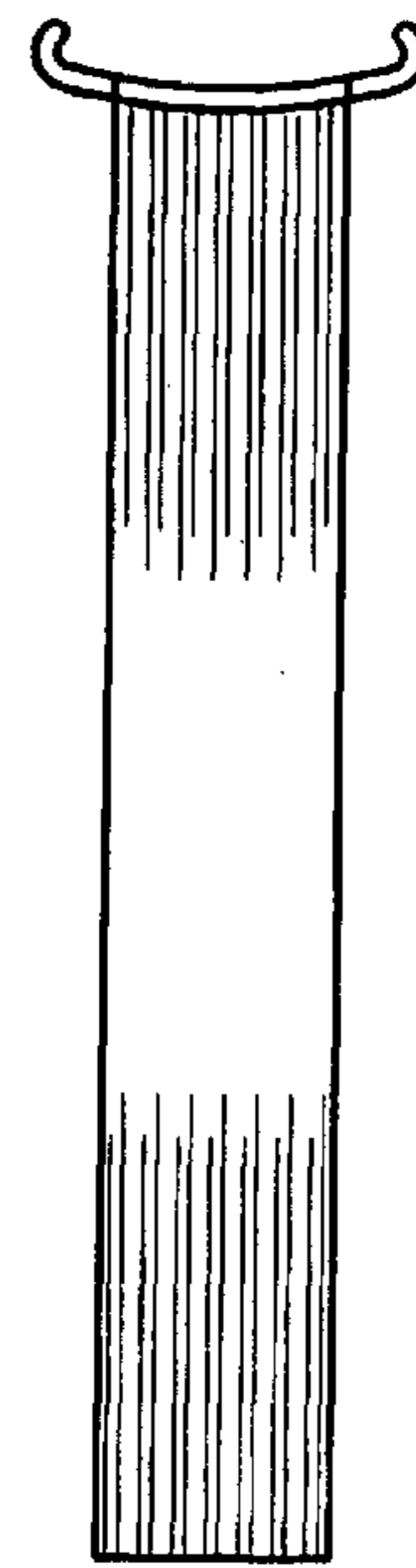


Fig. 10

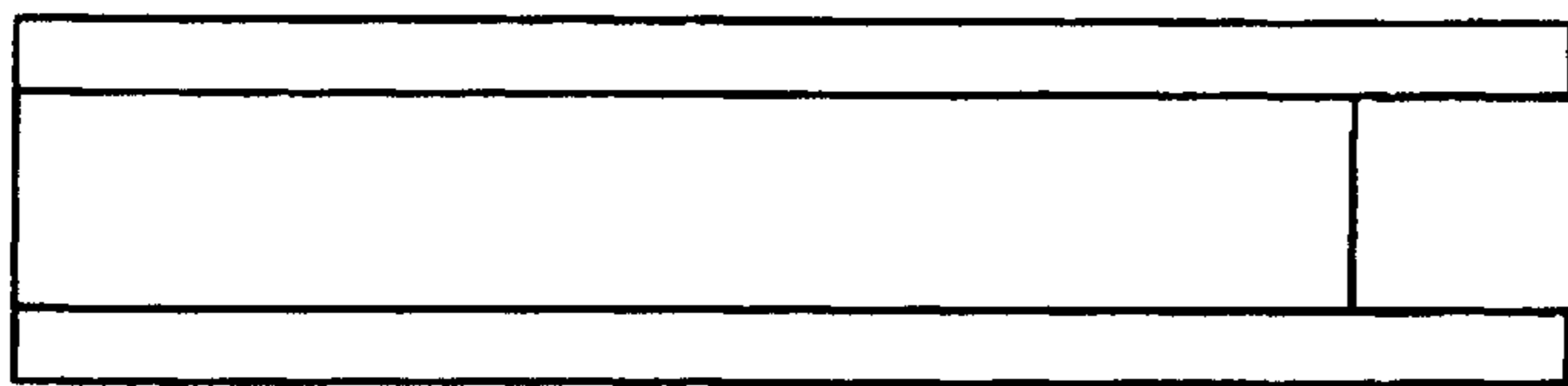


Fig. 11