



US00D556321S

(12) **United States Design Patent**
Starnes

(10) **Patent No.:** **US D556,321 S**

(45) **Date of Patent:** **** Nov. 27, 2007**

(54) **MEDICAL VIALS**

(76) **Inventor:** **Charles D. Starnes**, 6820 NW. 103rd Ter., Parkland, FL (US) 33076

(**) **Term:** **14 Years**

(21) **Appl. No.:** **29/243,277**

(22) **Filed:** **Nov. 22, 2005**

(51) **LOC (8) Cl.** **24-02**

(52) **U.S. Cl.** **D24/115**

(58) **Field of Classification Search** D24/115, D24/117; D9/695-696, 442; 206/528, 530, 206/532, 820; 222/153.06, 153.07, 456, 206, 222/213, 215, 107, 143, 92, 94, 97, 129; 53/467, 477; 264/525

See application file for complete search history.

(56) **References Cited**

U.S. PATENT DOCUMENTS

- 3,913,734 A 10/1975 Siegel
- 3,917,120 A * 11/1975 Larenz et al. 222/129
- 3,993,223 A 11/1976 Welker et al.
- D255,492 S 6/1980 Meierhoefer
- 4,502,616 A * 3/1985 Meierhoefer 222/215
- 4,512,475 A 4/1985 Federighi
- D282,348 S 1/1986 Federighi
- D296,869 S * 7/1988 Bauwens D9/696
- 4,790,453 A 12/1988 Fontana et al.
- 4,951,822 A 8/1990 Fontana et al.
- 5,409,125 A 4/1995 Kimber et al.
- 6,101,791 A 8/2000 Louviere
- 6,116,449 A * 9/2000 Chiesi et al. 220/23.4

- 6,234,333 B1 5/2001 Federighi et al.
- 6,241,124 B1 6/2001 Hoyt
- 6,254,376 B1 7/2001 Louviere
- 6,336,489 B1 1/2002 McGahhey
- D460,175 S * 7/2002 Louviere D24/115
- 6,426,035 B1 * 7/2002 Hansen 264/525
- D471,628 S * 3/2003 Louviere D24/115
- 6,572,359 B2 6/2003 Louviere
- 6,735,926 B1 5/2004 Louviere
- 2004/0149774 A1 * 8/2004 Strong 222/94

OTHER PUBLICATIONS

Declaration of Charles D. Starnes and attached drawings.

* cited by examiner

Primary Examiner—Louis Zarfaz
Assistant Examiner—Daniel G. Yu
(74) *Attorney, Agent, or Firm*—Richard S. Vermut; Rogers Towers, P.A.

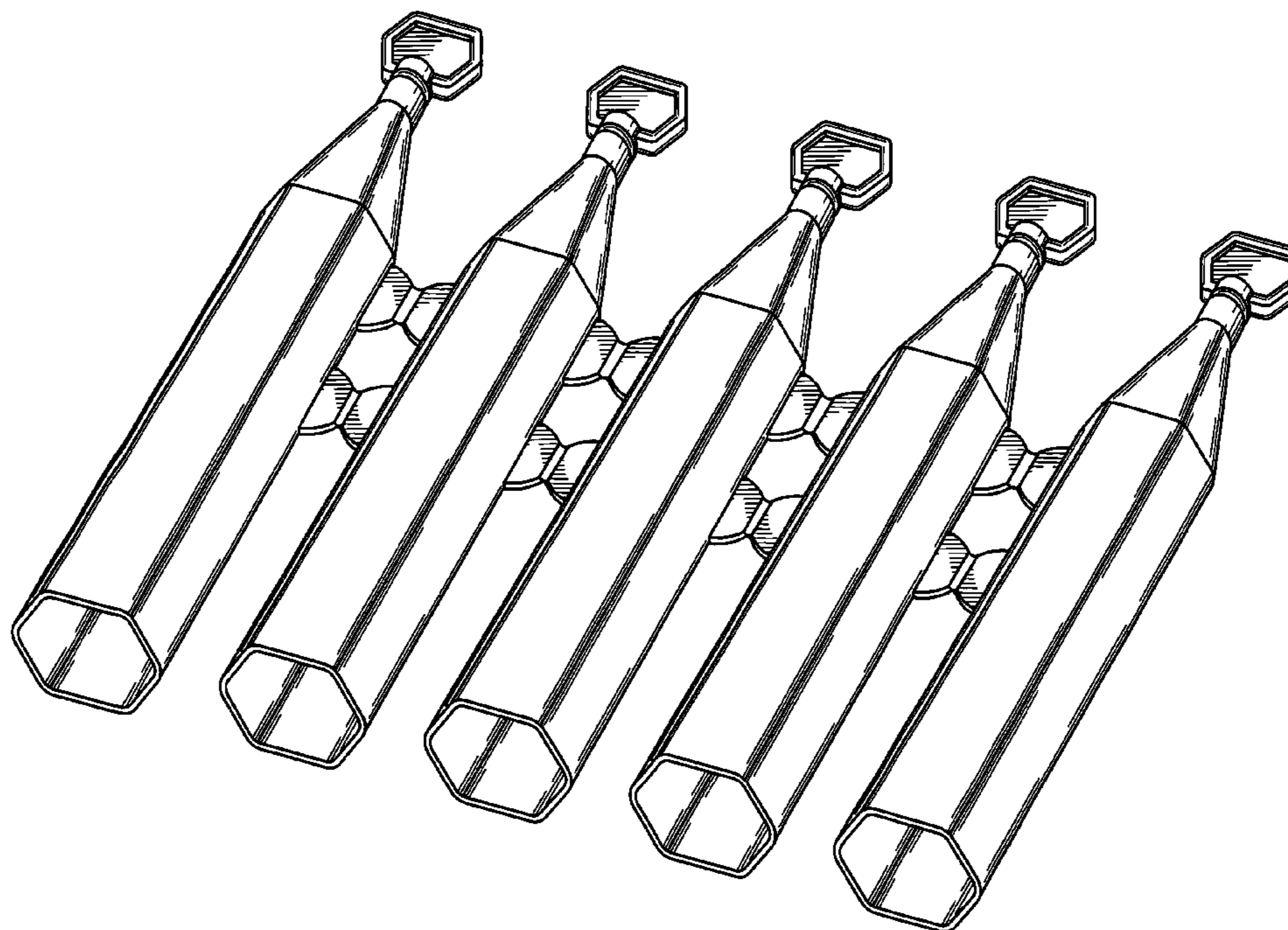
(57) **CLAIM**

I claim the ornamental design for medical vials, as shown and described.

DESCRIPTION

FIG. 1 is a front perspective view of the medical vials of the present invention;
FIG. 2 is a front elevation view thereof;
FIG. 3 is a side elevation view thereof;
FIG. 4 is a top plan view thereof; and,
FIG. 5 is a bottom plan view thereof.

1 Claim, 4 Drawing Sheets



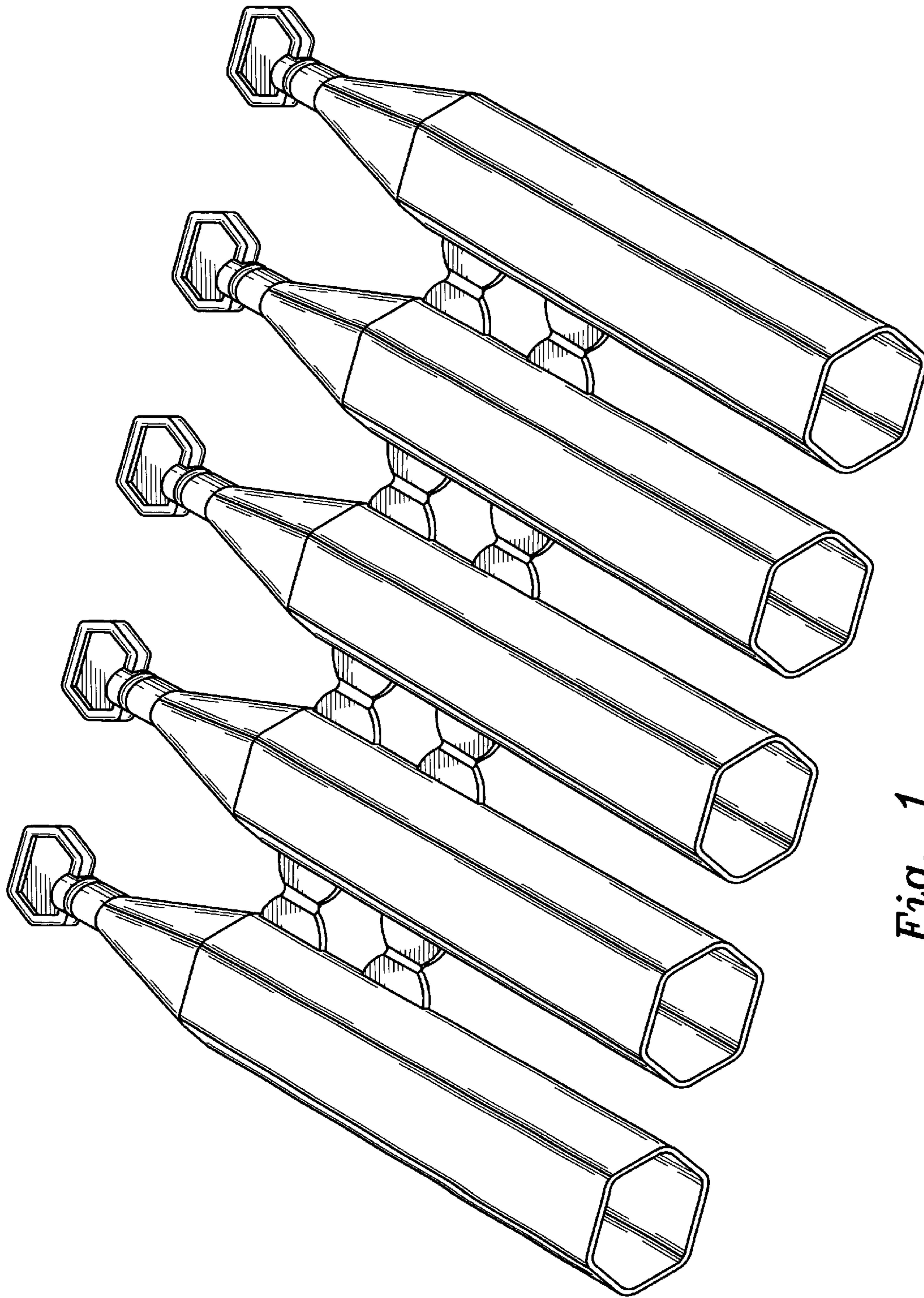


Fig. 1

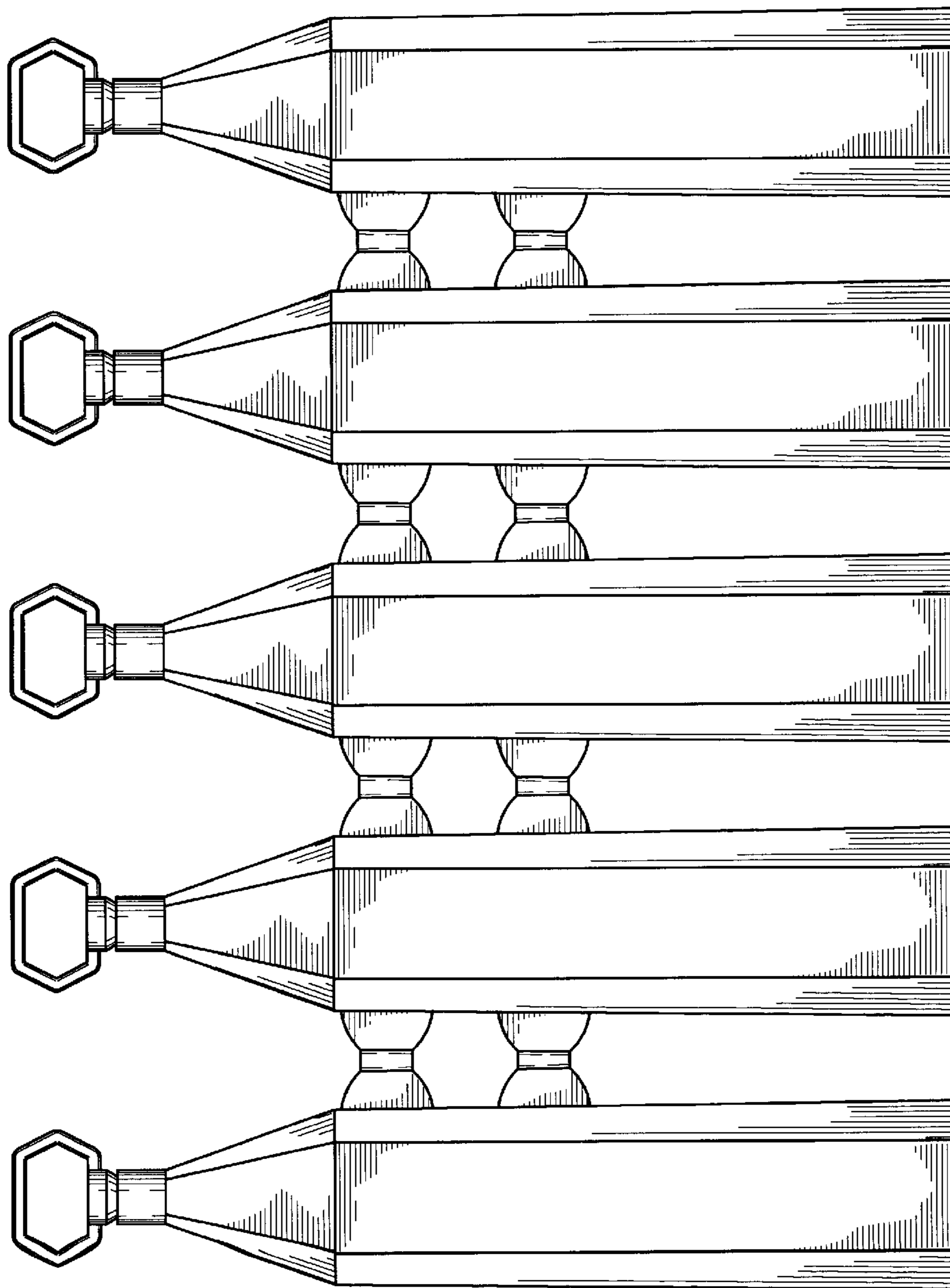


Fig. 2

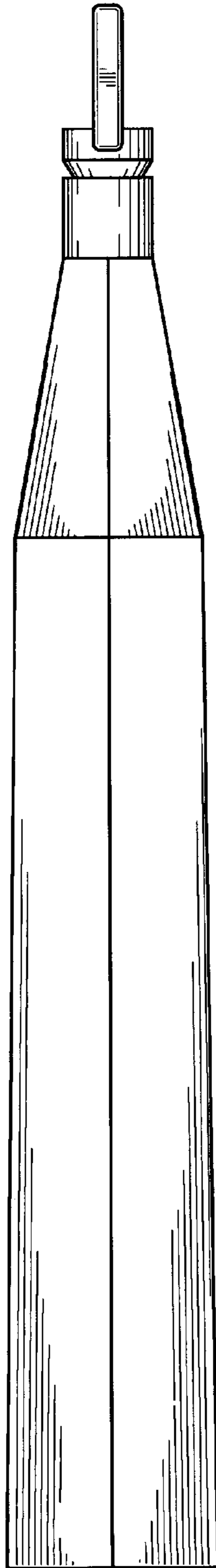


Fig. 3

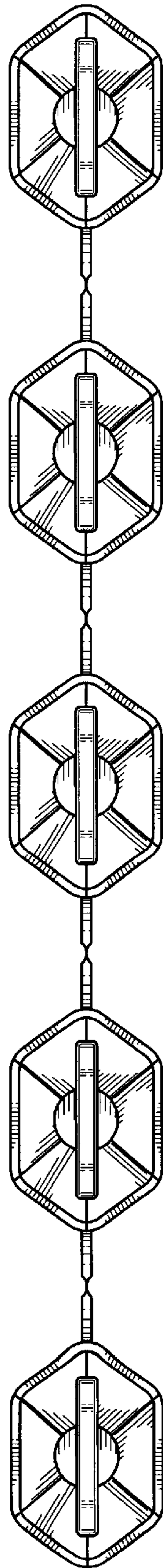


Fig. 4

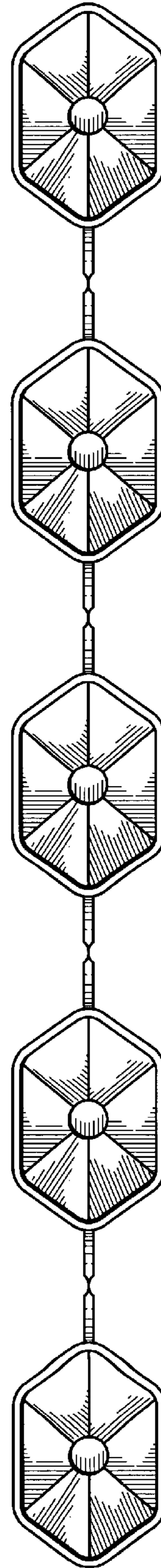


Fig. 5