



US00D556320S

(12) **United States Design Patent**  
**Boclet**

(10) **Patent No.:** **US D556,320 S**  
(45) **Date of Patent:** **\*\* Nov. 27, 2007**

(54) **NASAL DISPENSER**

6,530,371 B2 \* 3/2003 Jansen et al. .... 604/218

(75) Inventor: **Olivier Boclet**, Criel S/Mer (FR)

FOREIGN PATENT DOCUMENTS

(73) Assignee: **Rexam Dispensing Systems, Le Treport** (FR)

WO WO 2006/106208 A2 10/2006

(\*\*) Term: **14 Years**

\* cited by examiner

(21) Appl. No.: **29/237,882**

*Primary Examiner*—Louis Zarfaz  
*Assistant Examiner*—Daniel G. Yu

(22) Filed: **Sep. 8, 2005**

(74) *Attorney, Agent, or Firm*—Fross Zelnick Lehrman & Zissu, P.C.; Charles T. J. Weigell, Esq

(30) **Foreign Application Priority Data**

(57) **CLAIM**

Apr. 21, 2005 (EP) ..... 000328299

The ornamental design for a nasal dispenser, as shown and described.

(51) **LOC (8) Cl.** ..... **24-02**

**DESCRIPTION**

(52) **U.S. Cl.** ..... **D24/114**

(58) **Field of Classification Search** ..... D24/112–114,  
D24/146; 604/211, 218, 207, 208, 209, 506,  
604/185, 198, 132, 134–137, 93.01, 94.01;  
128/200.14, 200.22; 222/321.6

FIG. 1 is a front perspective view of a nasal dispenser, showing my new design;

FIG. 2 is a front view of the nasal dispenser shown in FIG. 1;

See application file for complete search history.

FIG. 3 is a rear view of the nasal dispenser shown in FIG. 1;

(56) **References Cited**

U.S. PATENT DOCUMENTS

- 4,923,448 A \* 5/1990 Ennis, III ..... 604/239
- 4,962,868 A \* 10/1990 Borchard ..... 128/200.14
- 5,289,818 A \* 3/1994 Citterio et al. .... 128/200.14
- 5,429,600 A \* 7/1995 Heinke ..... 604/516
- 5,601,077 A \* 2/1997 Imbert ..... 128/200.14
- 5,662,098 A \* 9/1997 Yoshida ..... 128/200.22
- D447,559 S \* 9/2001 Jansen et al. .... D24/114
- D448,474 S \* 9/2001 Jansen et al. .... D24/114

FIG. 4 is a left side view of the nasal dispenser shown in FIG. 1;

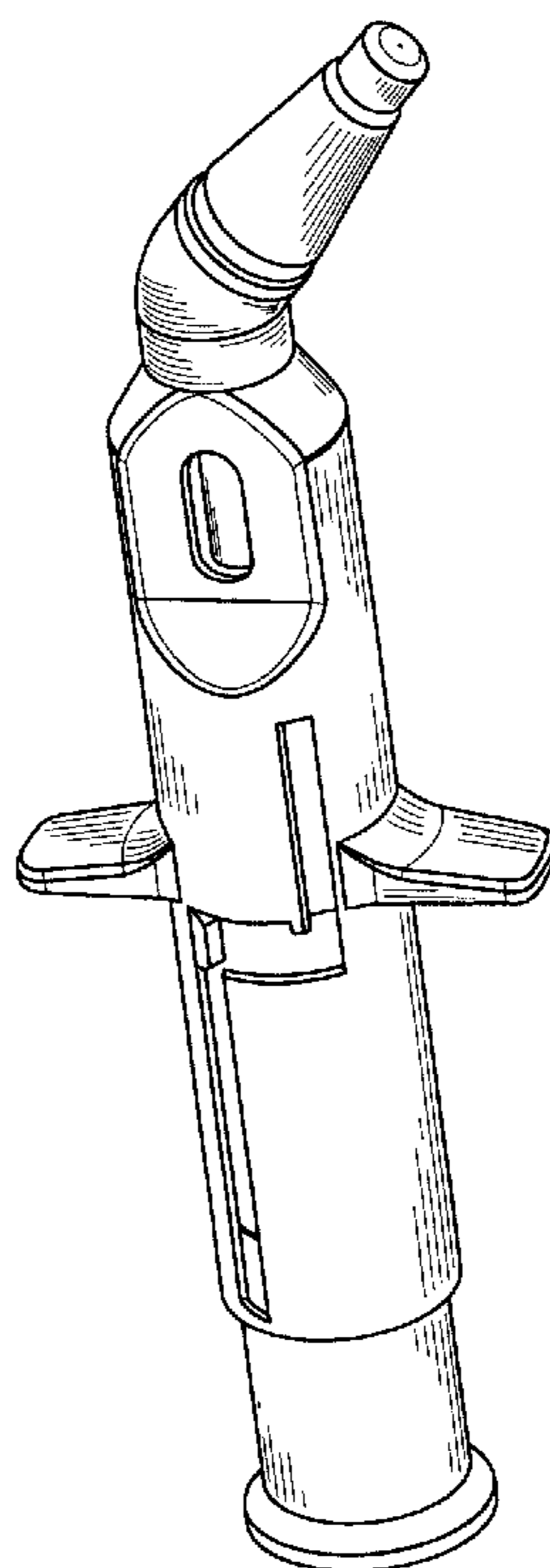
FIG. 5 is a right side view of the nasal dispenser shown in FIG. 1;

FIG. 6 is a top view of the nasal dispenser shown in FIG. 1;

FIG. 7 is a bottom view of the nasal dispenser shown in FIG. 1; and,

FIG. 8 is bottom perspective view of the nasal dispenser shown in FIG. 1.

**1 Claim, 4 Drawing Sheets**



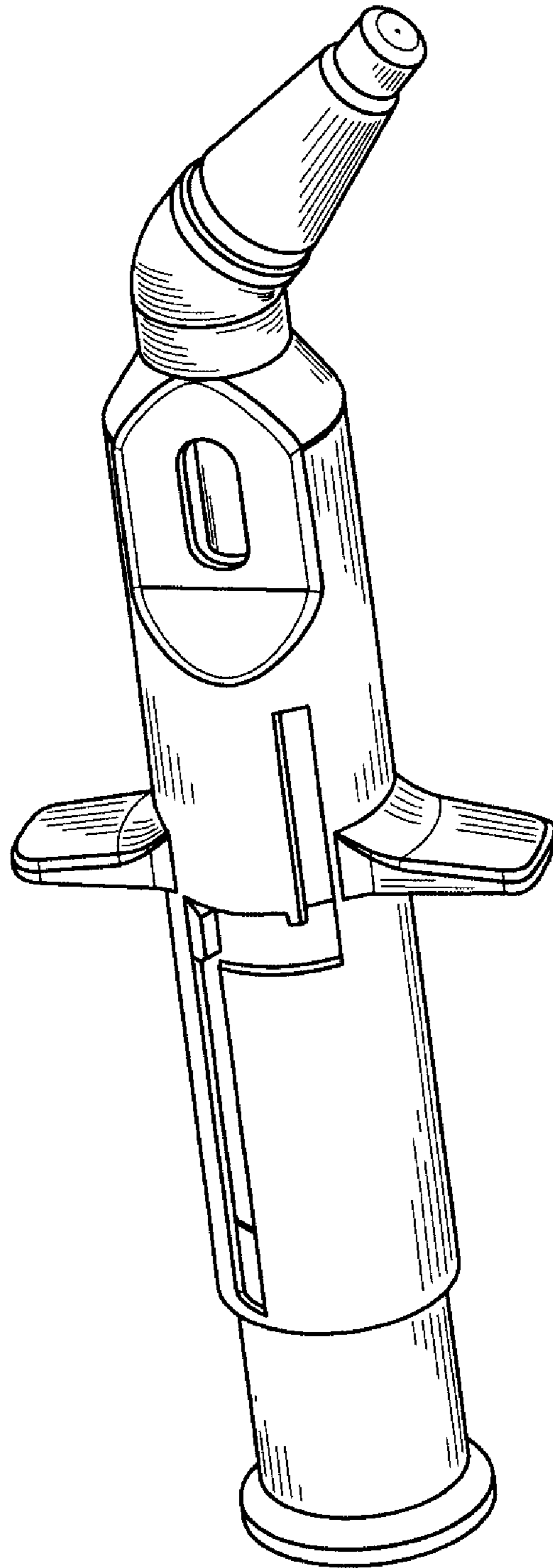


FIG. 1

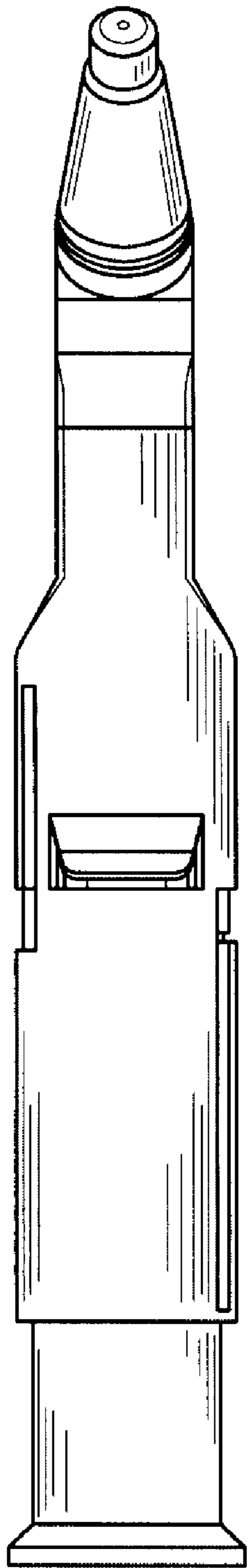


FIG. 2

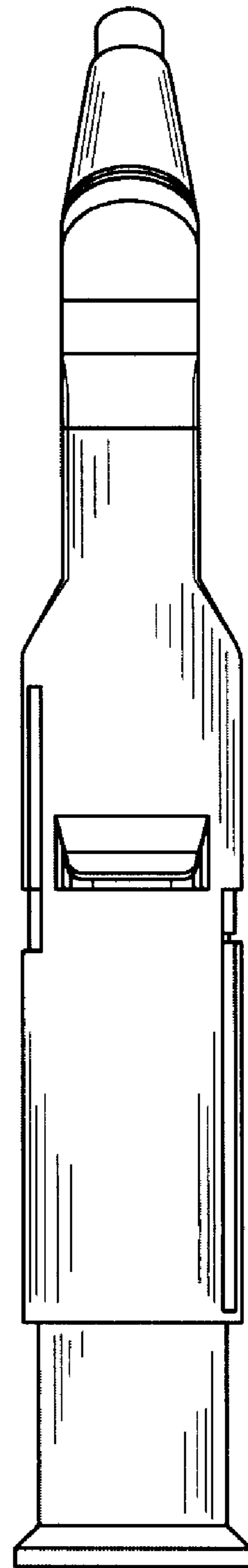


FIG. 3

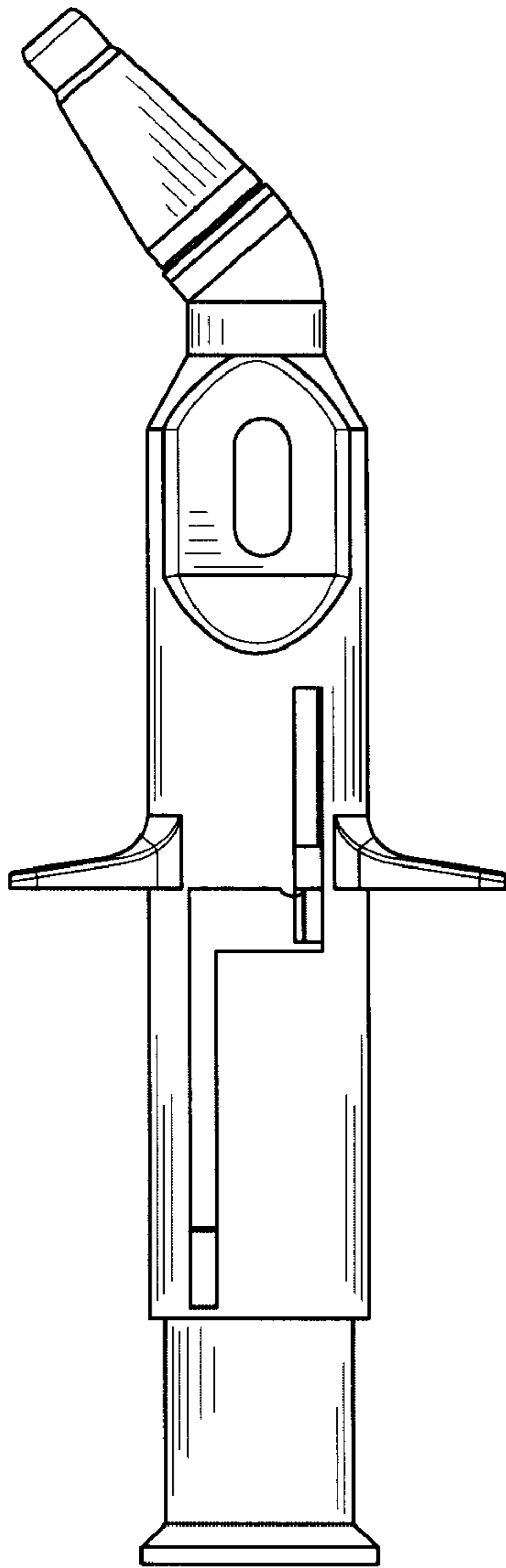


FIG. 4

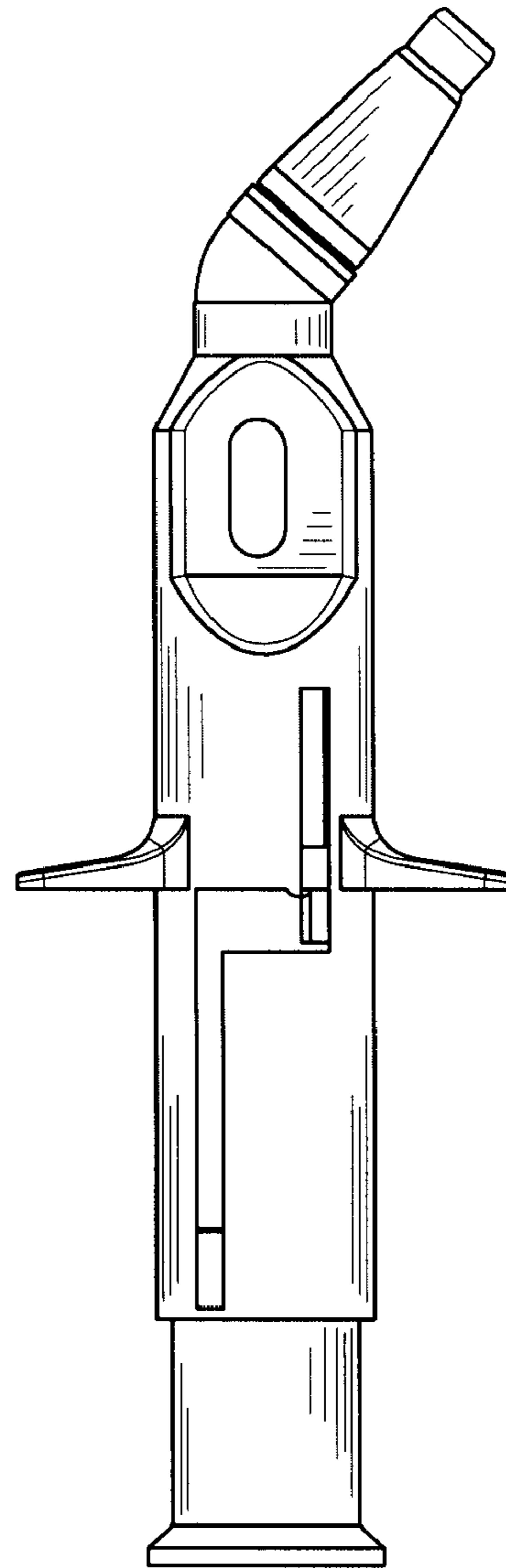


FIG. 5

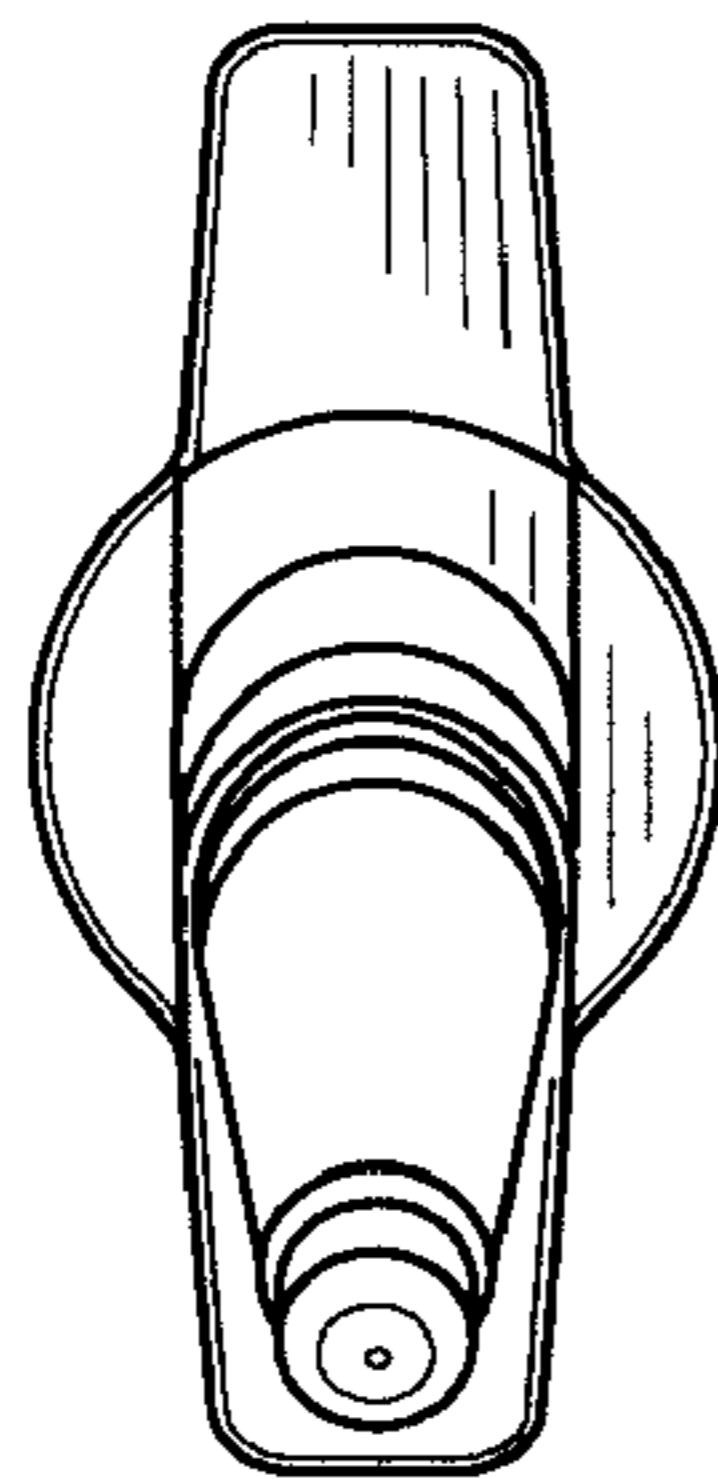


FIG. 6

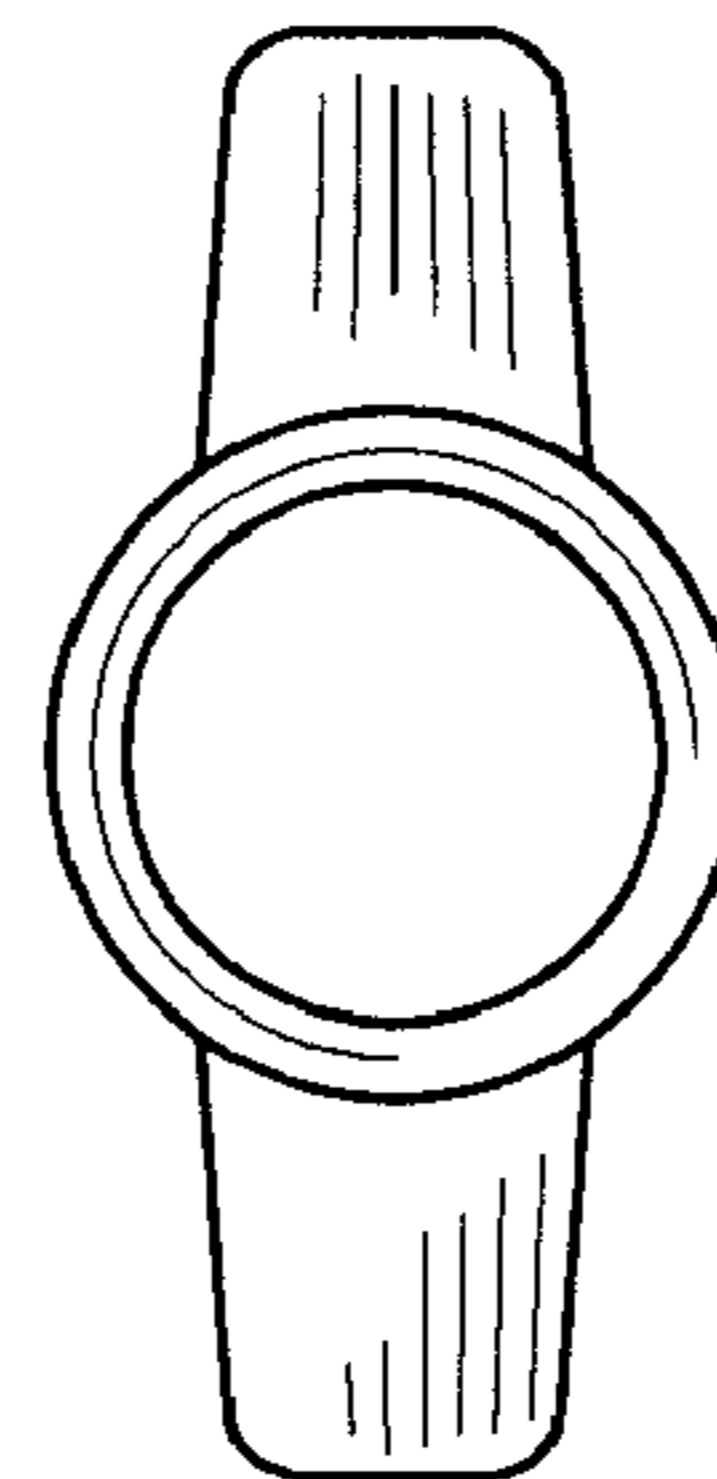
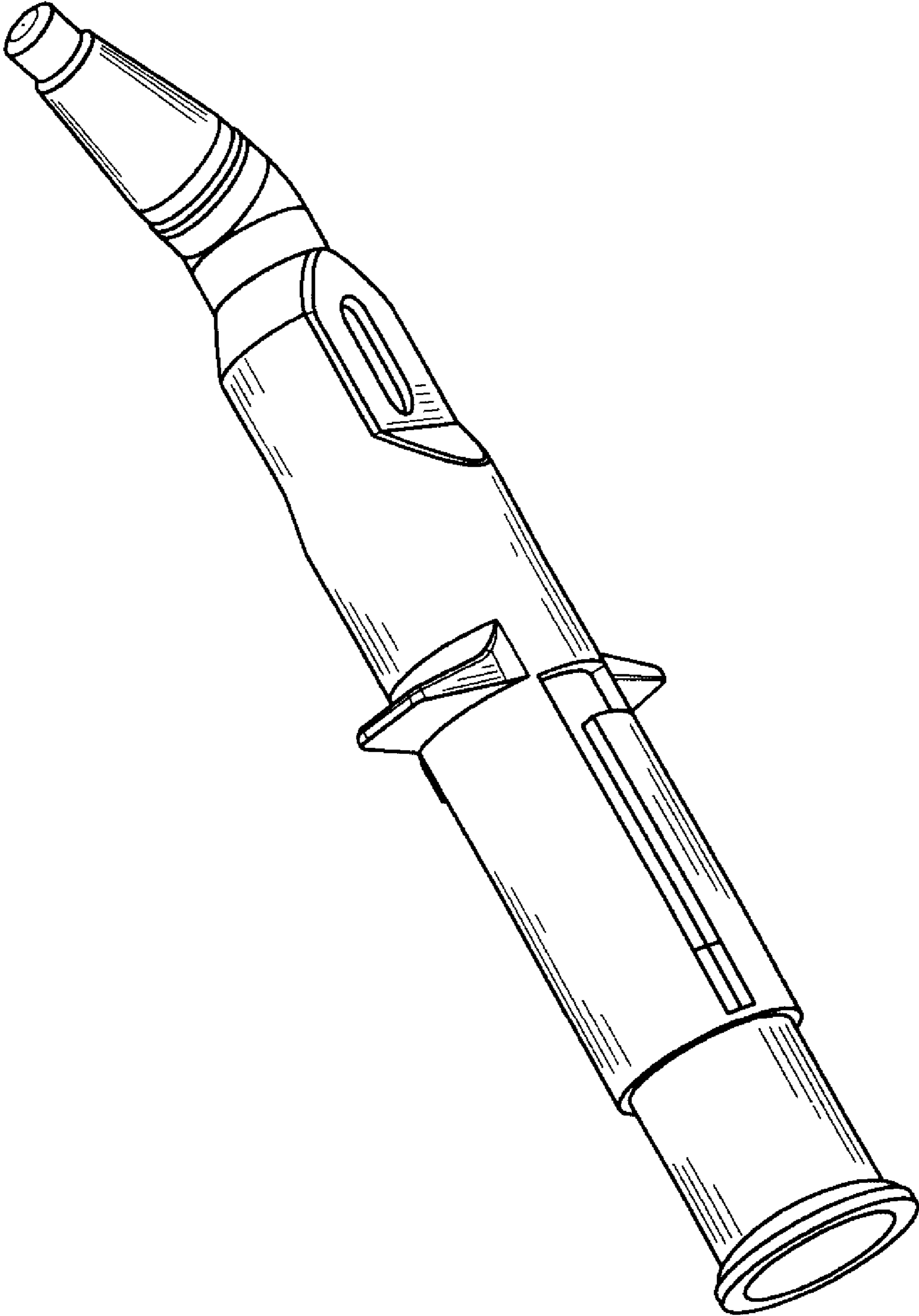


FIG. 7



**FIG. 8**