



US00D556319S

(12) **United States Design Patent**  
**Chen et al.**

(10) **Patent No.:** **US D556,319 S**

(45) **Date of Patent:** **\*\* Nov. 27, 2007**

(54) **VITAMIN TABLET**

(75) Inventors: **Michael H. Chen**, Fullerton, CA (US);  
**Gregory E. Painter**, Buena Park, CA (US)

(73) Assignee: **Access Business Group International LLC**, Ada, MI (US)

(\*\*) Term: **14 Years**

(21) Appl. No.: **29/266,155**

(22) Filed: **Sep. 15, 2006**

(51) **LOC (8) Cl.** ..... **28-02**

(52) **U.S. Cl.** ..... **D24/102; D1/106**

(58) **Field of Classification Search** ..... D24/100-105;  
D28/4, 5, 6, 8.1, 8.2; D9/645, 646, 624;  
D1/104, 106, 108, 114, 115; 426/102; 424/401,  
424/467, 451, 464, 48, 454  
See application file for complete search history.

(56) **References Cited**

**U.S. PATENT DOCUMENTS**

D35,087 S \* 9/1901 Foringer ..... D24/100  
D35,478 S \* 12/1901 Wagandt ..... D1/106

D84,023 S \* 4/1931 Bonardi ..... D1/114  
4,503,031 A \* 3/1985 Glassman ..... 424/467  
D365,911 S \* 1/1996 Cassetti et al. .... D1/106  
D417,839 S \* 12/1999 Sims et al. .... D9/646  
D424,686 S \* 5/2000 Lam ..... D24/103  
D447,835 S \* 9/2001 Whitaker et al. .... D28/8.1  
D537,562 S \* 2/2007 Taniguchi et al. .... D28/4

\* cited by examiner

*Primary Examiner*—Charles A. Rademaker  
(74) *Attorney, Agent, or Firm*—Alticor Inc.

(57) **CLAIM**

The ornamental design for a vitamin tablet, as shown and described.

**DESCRIPTION**

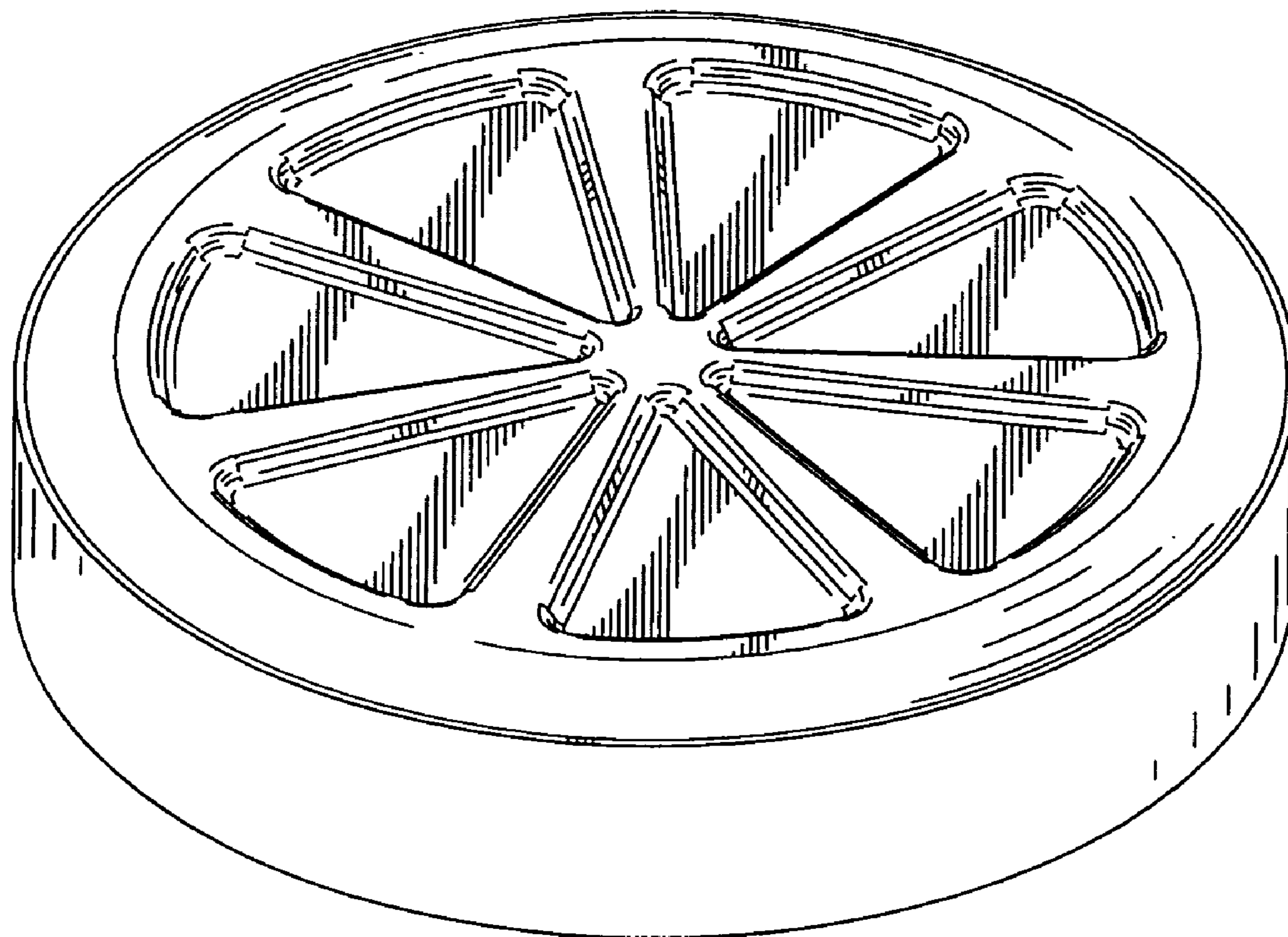
FIG. 1 is a top perspective view of a vitamin tablet showing our new design;

FIG. 2 is a top plan view thereof;

FIG. 3 is a side elevational view; the opposite side view being identical thereof; and,

FIG. 4 is a bottom plan view thereof.

**1 Claim, 2 Drawing Sheets**



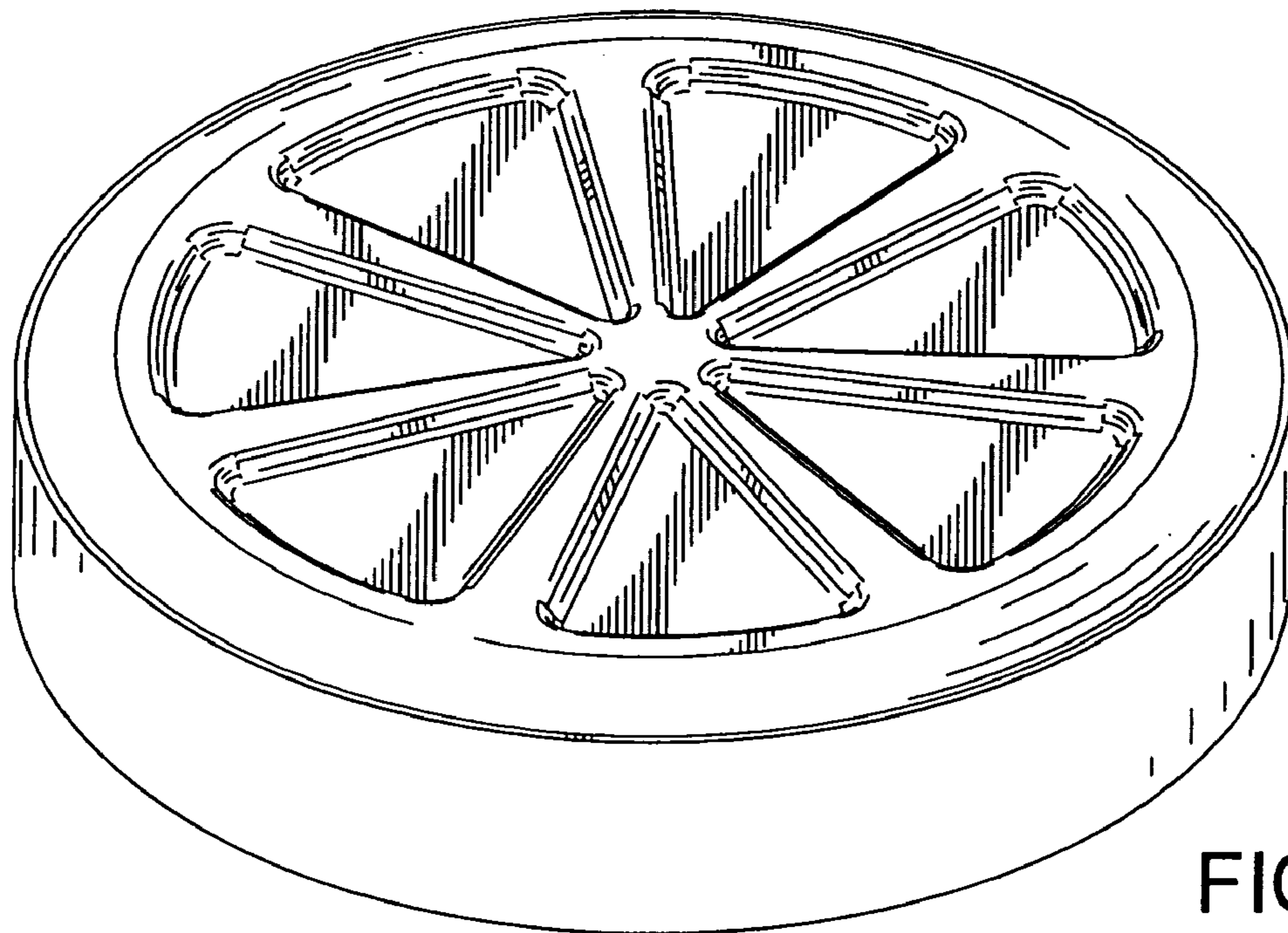


FIG. 1

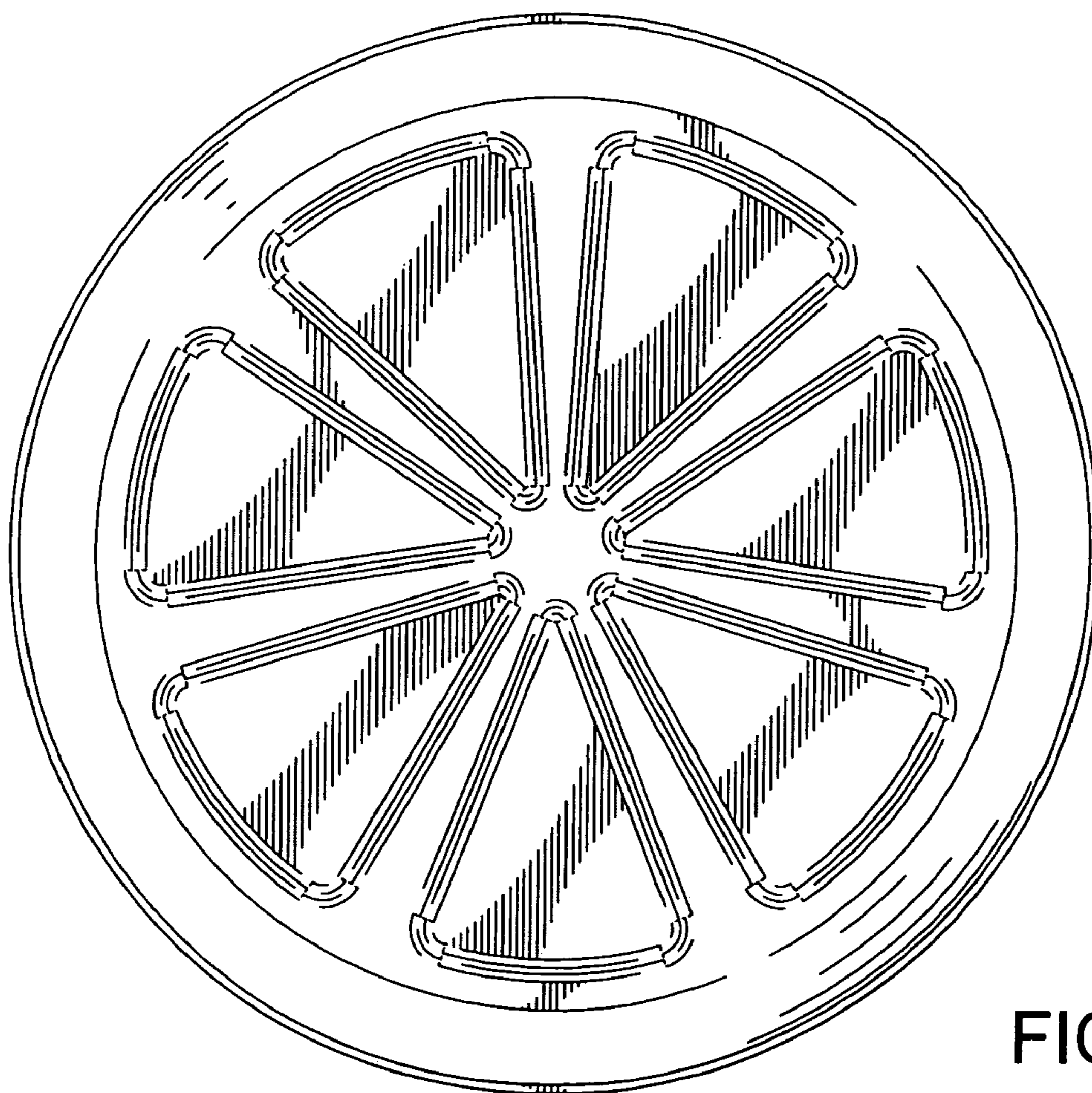


FIG. 2

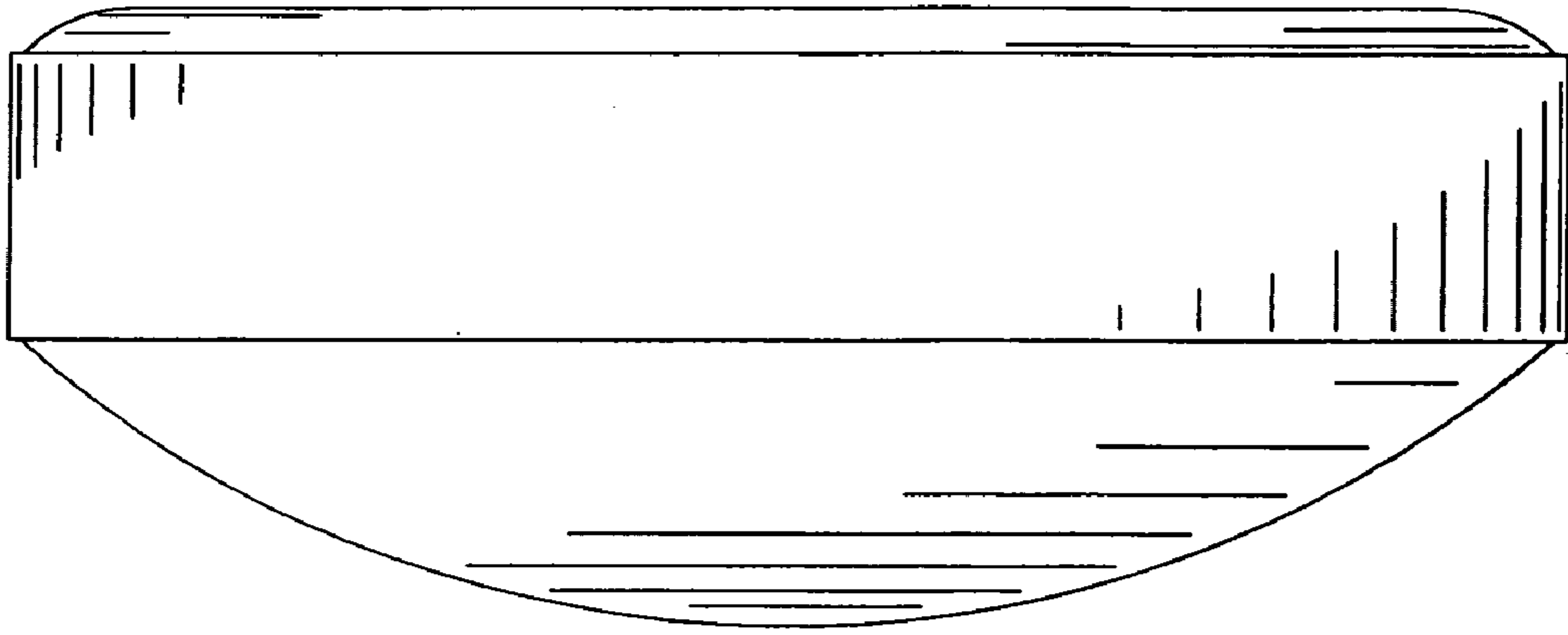


FIG. 3

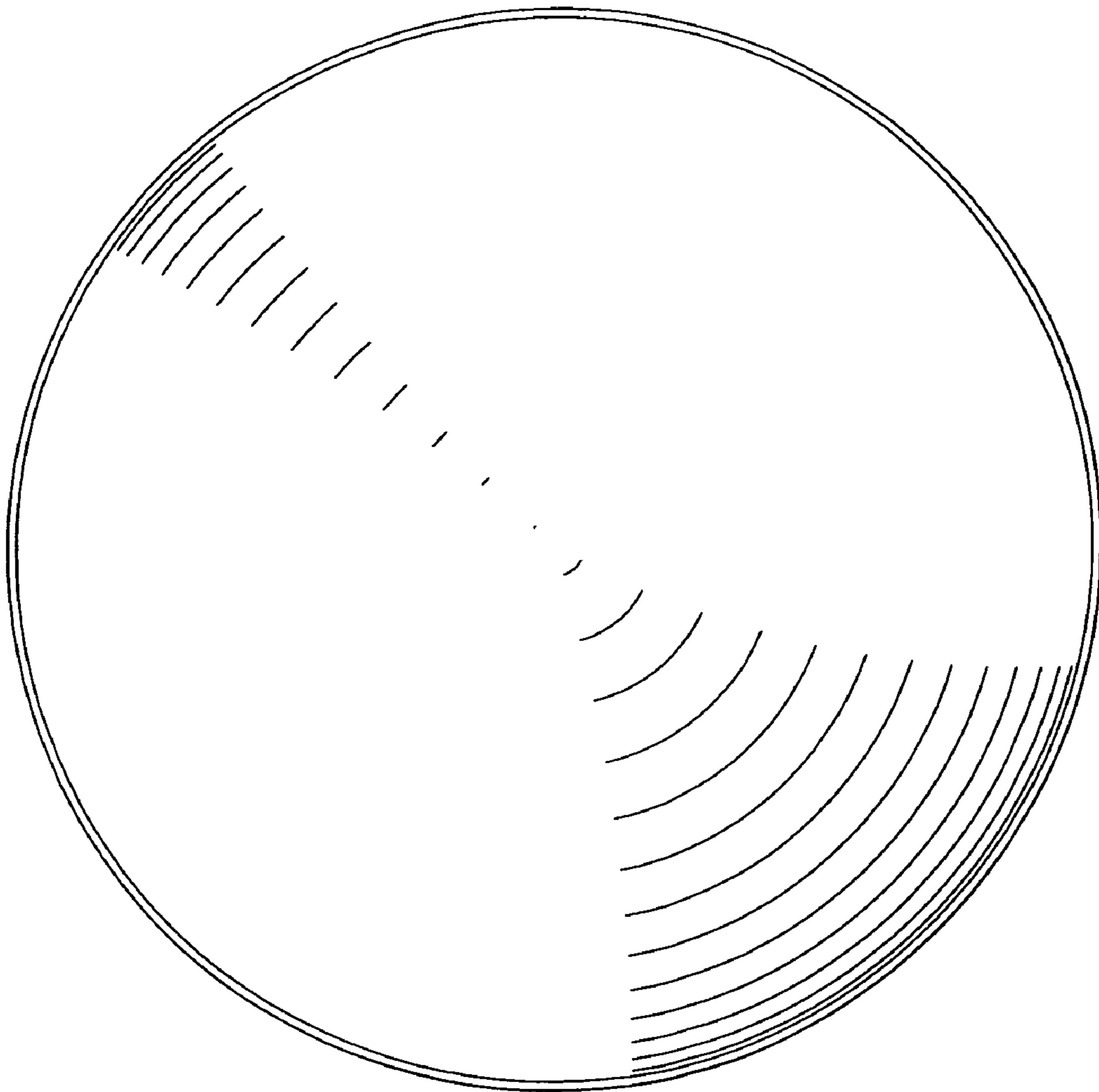


FIG. 4