



US00D556307S

(12) **United States Design Patent**
Sutopo

(10) **Patent No.:** **US D556,307 S**

(45) **Date of Patent:** **** Nov. 27, 2007**

(54) **COVER**

(75) Inventor: **Elisa A. Sutopo**, Jakarta (ID)

(73) Assignee: **Kohler Co.**, Kohler, WI (US)

(**) Term: **14 Years**

(21) Appl. No.: **29/258,201**

(22) Filed: **Apr. 18, 2006**

(51) **LOC (8) Cl.** **23-02**

(52) **U.S. Cl.** **D23/311**

(58) **Field of Classification Search** D23/303,
D23/309-312; 4/444, 483, 485-486, 217,
4/234-235, 237-239, 242.1, DIG. 6, DIG. 9
See application file for complete search history.

(56) **References Cited**

U.S. PATENT DOCUMENTS

661,441	A	11/1900	Bush	
848,043	A	3/1907	McCord et al.	
848,229	A	3/1907	Farley et al.	
1,697,973	A	1/1929	Fisher	
1,911,519	A	5/1933	Leslie	
1,949,442	A	3/1934	Zundel	
1,975,570	A	10/1934	Edgcumbe	
2,434,249	A	1/1948	Olson	
D161,108	S	12/1950	Kandarian	
D189,961	S	3/1961	Stram	
D237,185	S	10/1975	O'Neill	
D278,845	S *	5/1985	Harrison et al.	D23/311
D305,357	S	1/1990	Ritzer	
D372,766	S	8/1996	Francke	
D375,545	S	11/1996	Brown	
5,608,921	A	3/1997	Barrett et al.	
5,636,389	A	6/1997	LaLonde	
D413,658	S	9/1999	Birsel et al.	

D451,177 S 11/2001 Scholpp
D508,283 S * 8/2005 Sutopo D23/311
2003/0097708 A1 5/2003 Zhang

OTHER PUBLICATIONS

Kohler Co., "Vintage" toilet Seat. Model No. K-4755 CP. Kohler Co., online catalog.
Kohler Co., "Cachet Quiet Close" toilet seat. Model No. K-4636. Kohler Co., online catalog.

* cited by examiner

Primary Examiner—Robert A. Delehanty

(74) Attorney, Agent, or Firm—Quarles & Brady LLP

(57) **CLAIM**

The ornamental design for a cover, as shown and described.

DESCRIPTION

In a preferred form, the nature of this product is a cover for a plumbing fixture, in particular a seat and lid for a water closet.

FIG. 1 is a left, top, front perspective view of a cover embodying my new design;

FIG. 2 is a top plan view thereof;

FIG. 3 is a left side elevational view thereof, the right side elevational view thereof being a mirror image of the left side shown;

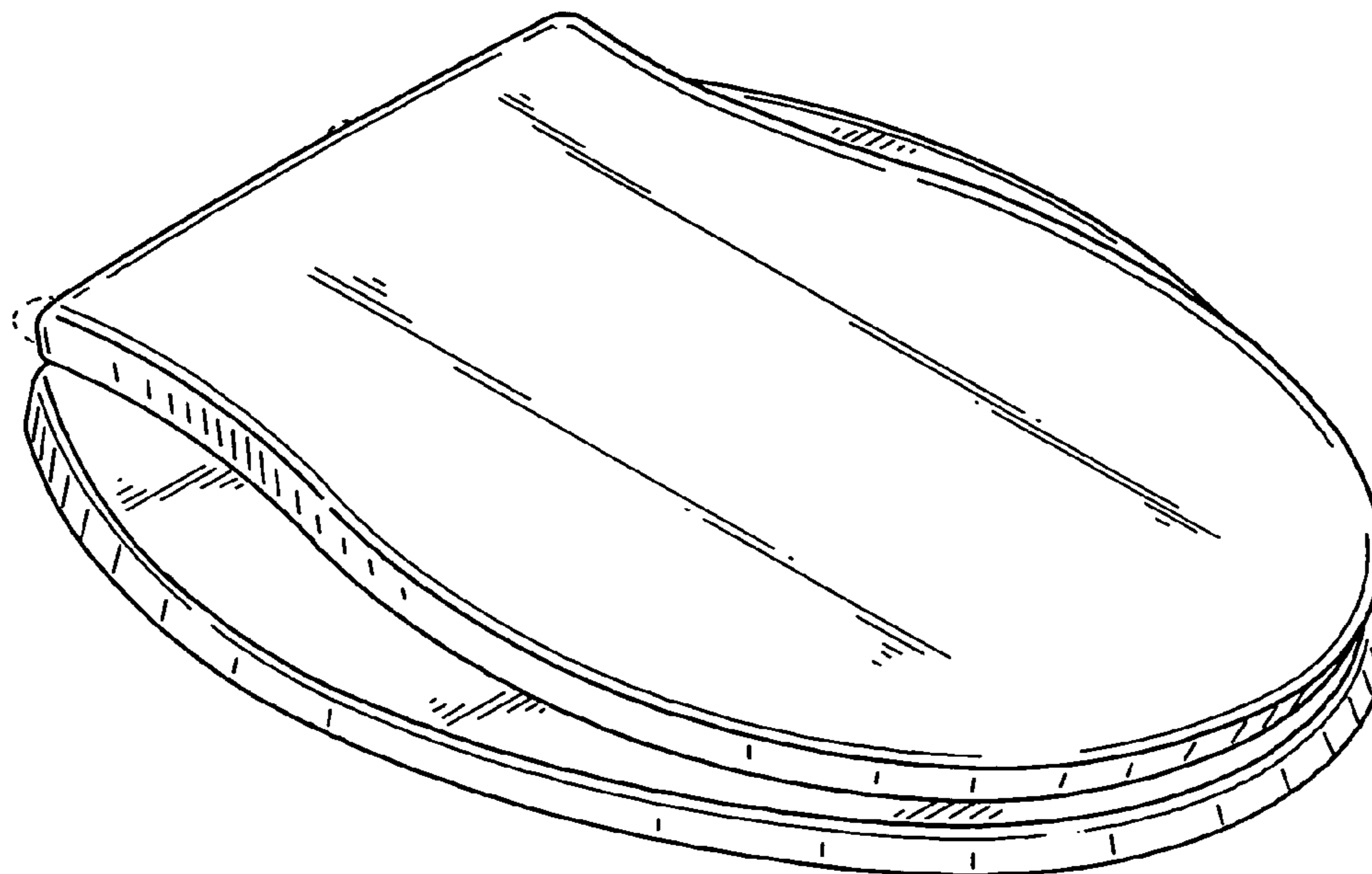
FIG. 4 is a front elevational view thereof;

FIG. 5 is a rear elevational view thereof; and,

FIG. 6 is bottom plan view thereof.

The broken line representations of hinge structure in the figures are for the purpose of illustration only, and form no part of the claimed design.

1 Claim, 3 Drawing Sheets



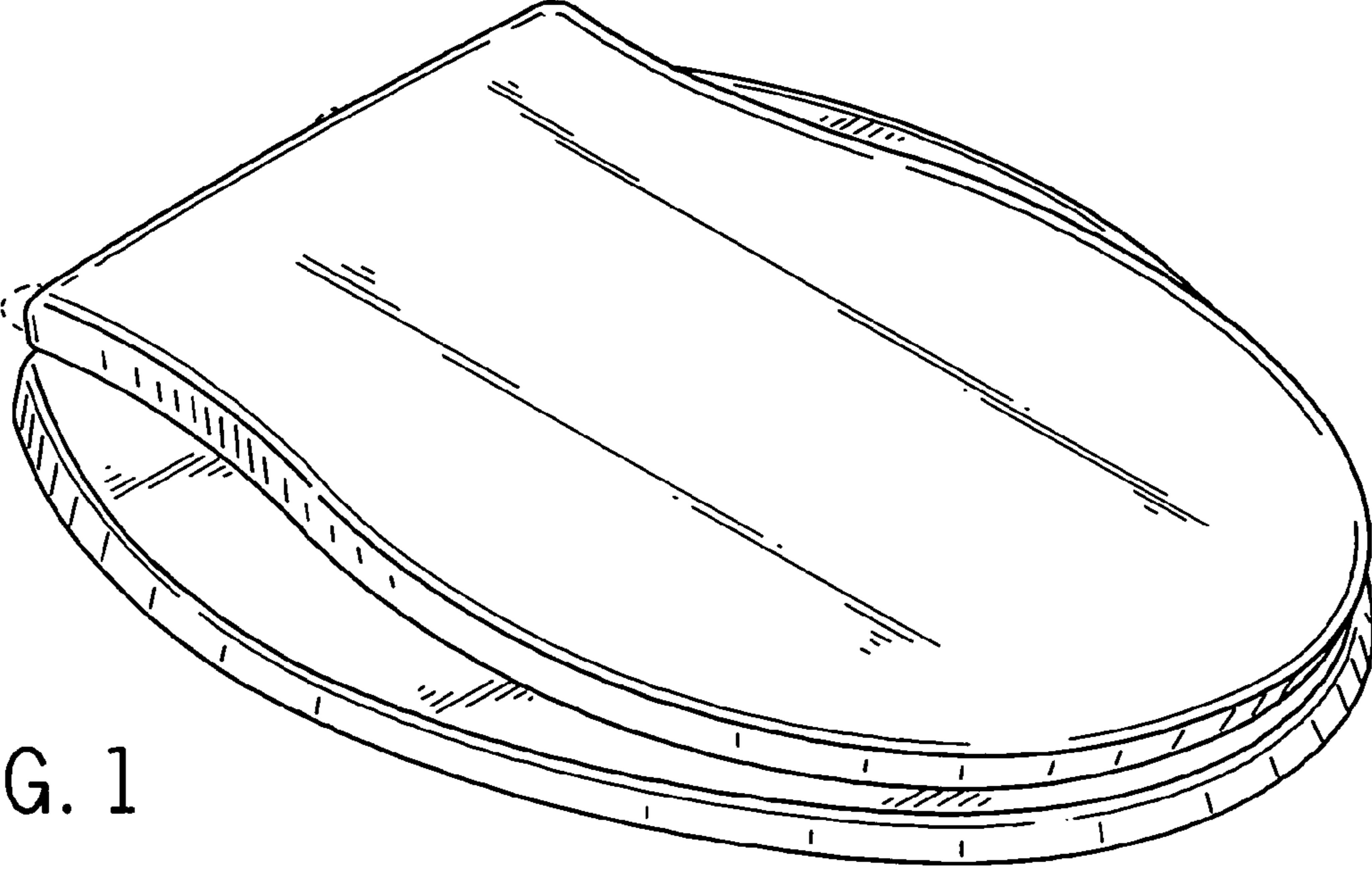


FIG. 1

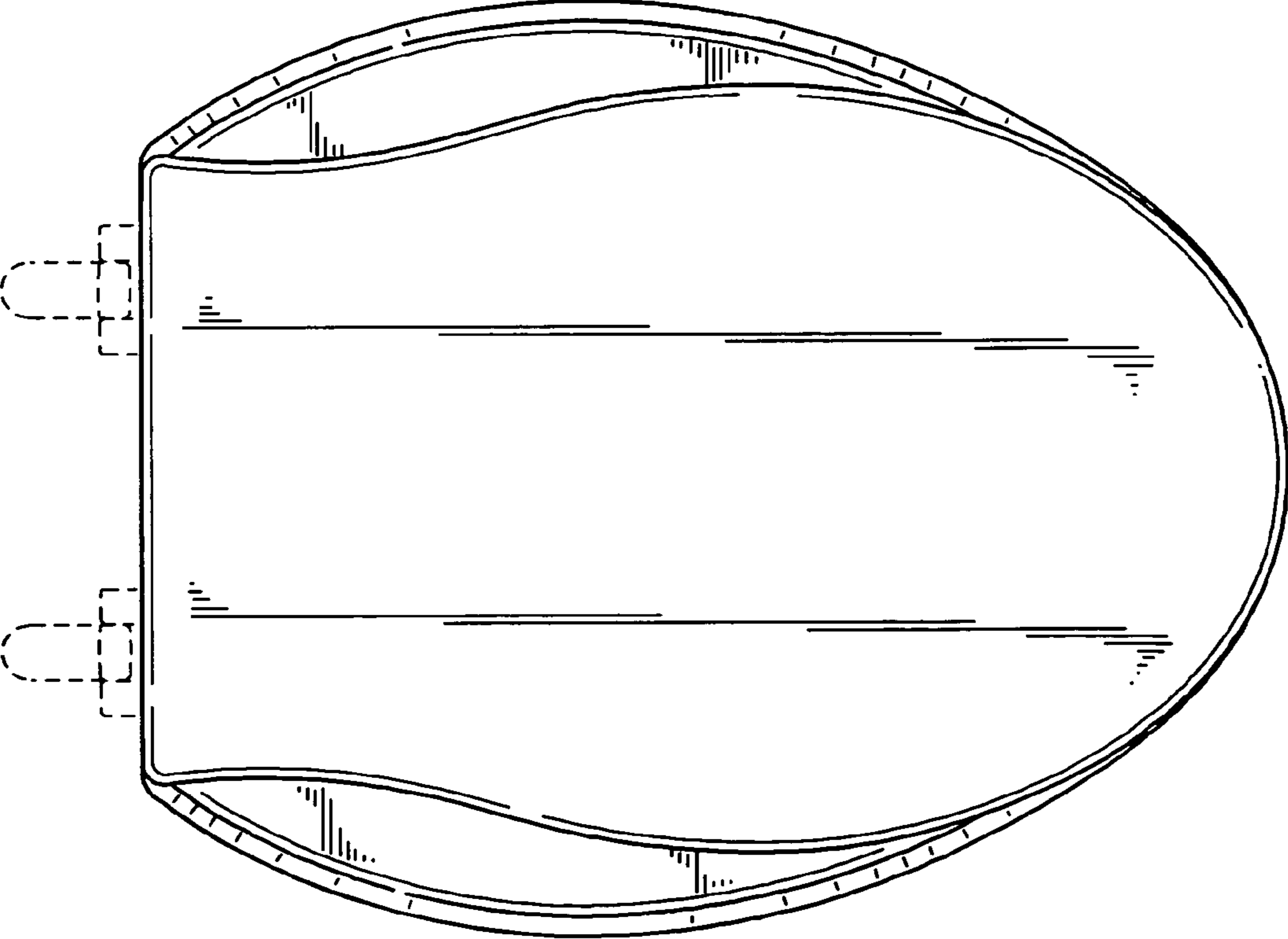


FIG. 2

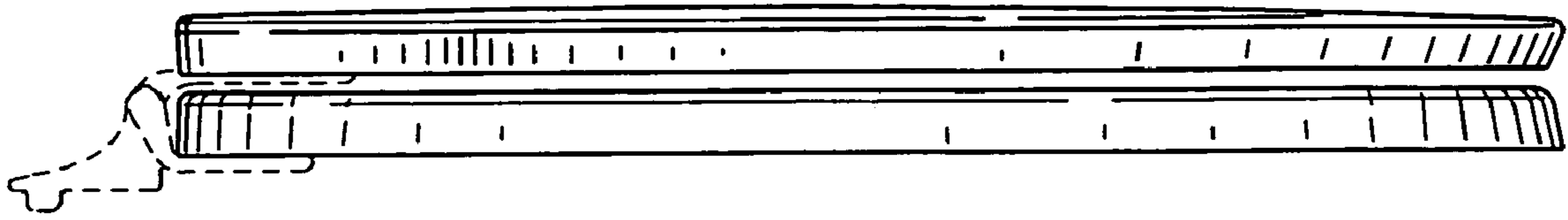


FIG. 3

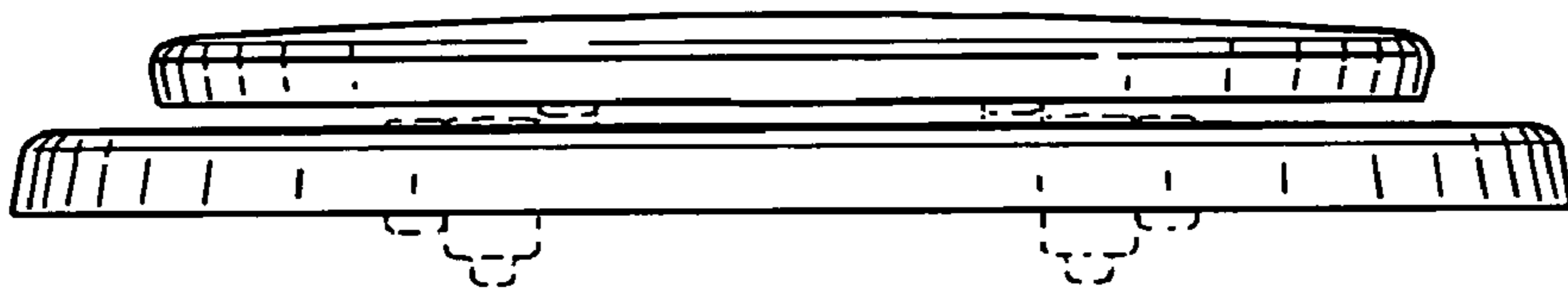


FIG. 4

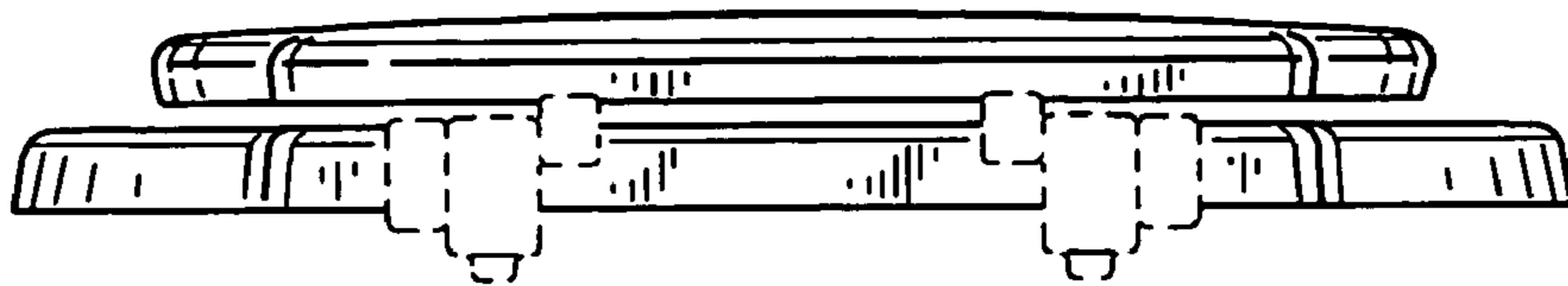


FIG. 5

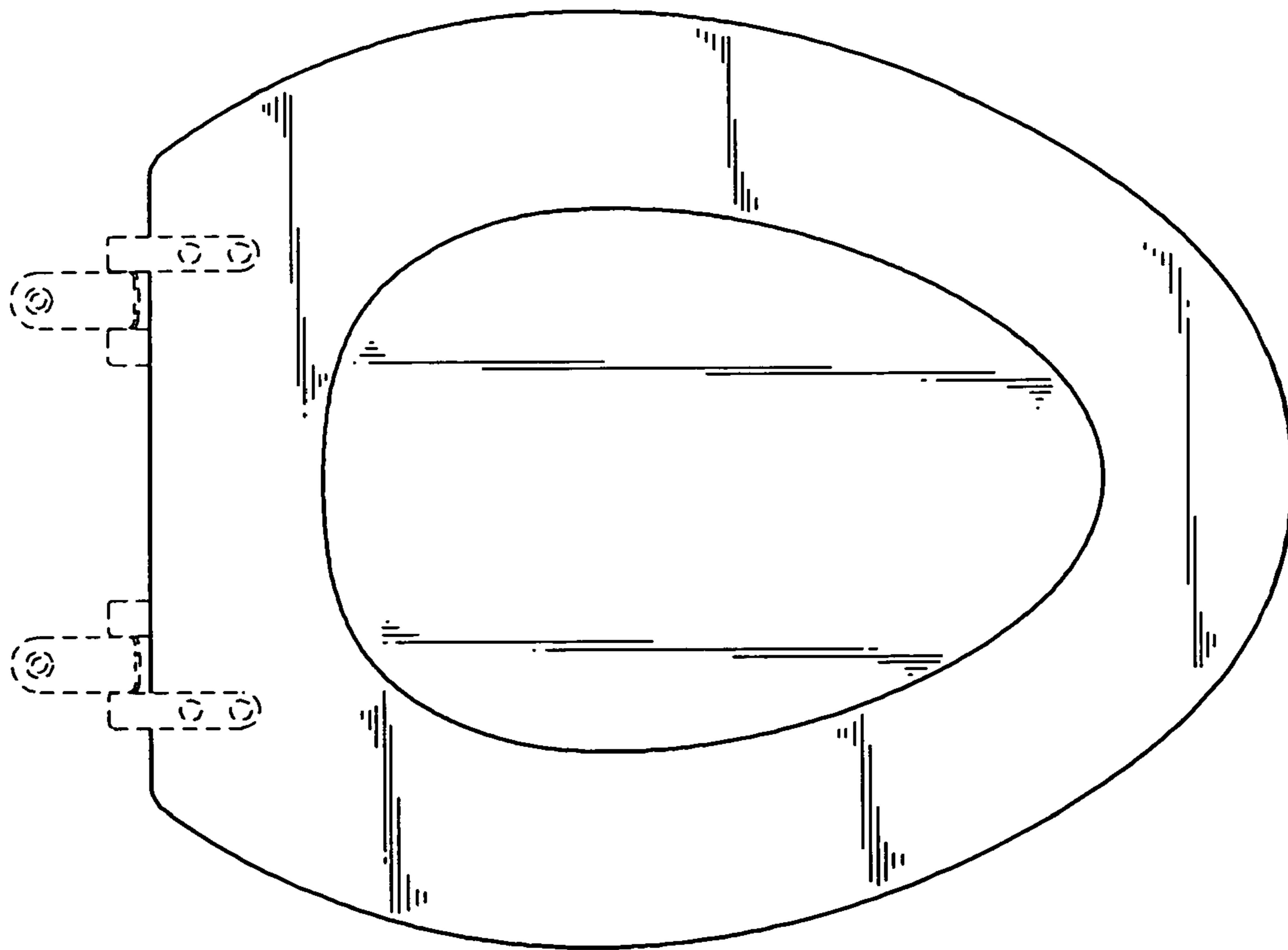


FIG. 6

UNITED STATES PATENT AND TRADEMARK OFFICE
CERTIFICATE OF CORRECTION

PATENT NO. : Des. 556,307 S
APPLICATION NO. : 29/258201
DATED : November 27, 2007
INVENTOR(S) : Elise A. Sutopo

Page 1 of 1

It is certified that error appears in the above-identified patent and that said Letters Patent is hereby corrected as shown below:

Title page, item [75]
The Inventor's: should read --Elise A. Sutopo--

Signed and Sealed this

Sixth Day of May, 2008

A handwritten signature in black ink that reads "Jon W. Dudas". The signature is written in a cursive style with a large, looped initial "J".

JON W. DUDAS
Director of the United States Patent and Trademark Office