



US00D556305S

(12) **United States Design Patent**
Genord et al.

(10) **Patent No.:** **US D556,305 S**

(45) **Date of Patent:** **** Nov. 27, 2007**

(54) **HAND RAIL FOR TOILET**

2007/0050900 A1* 3/2007 McDowell 4/254

* cited by examiner

(75) Inventors: **Daniel Genord**, South Lyon, MI (US);
Evan Carpenter-Crawford,
Farmington Hills, MI (US)

Primary Examiner—Robert A. Delehanty
(74) *Attorney, Agent, or Firm*—Edgar A. Zarins; Lloyd D. Doigan

(73) Assignee: **Liberty Hardware Mfg. Corp.**,
Winston-Salem, NC (US)

(57) **CLAIM**

(**) Term: **14 Years**

The ornamental design for a hand rail for toilet, as shown and described.

(21) Appl. No.: **29/271,098**

(22) Filed: **Jan. 10, 2007**

DESCRIPTION

(51) **LOC (8) Cl.** **23-02**

FIG. 1 is a perspective view of a hand rail for toilet shown in condition of use with a toilet showing our new design;

(52) **U.S. Cl.** **D23/309**

FIG. 2 is a left side view thereof;

(58) **Field of Classification Search** D23/303,

FIG. 3 is a right side view thereof;

D23/309; 4/667, 478, 254; D6/367, 501
See application file for complete search history.

FIG. 4 is a top plan view thereof; and,

FIG. 5 is a front elevational view thereof.

(56) **References Cited**

The broken line showing of toilet is for illustrative purposes only and forms no part of the claimed design.

U.S. PATENT DOCUMENTS

D540,051 S * 4/2007 Florez et al. D6/367

1 Claim, 2 Drawing Sheets

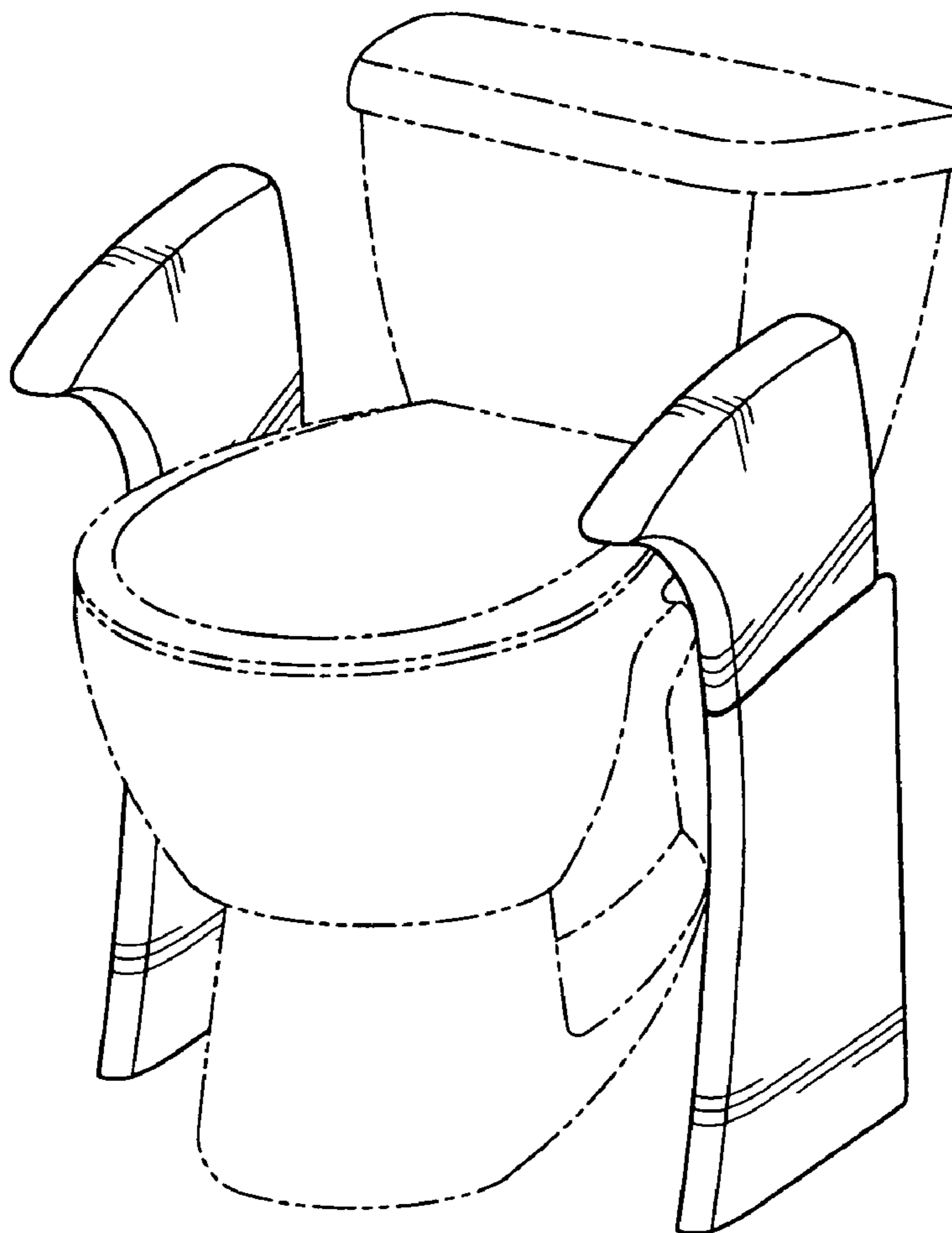


Fig-1

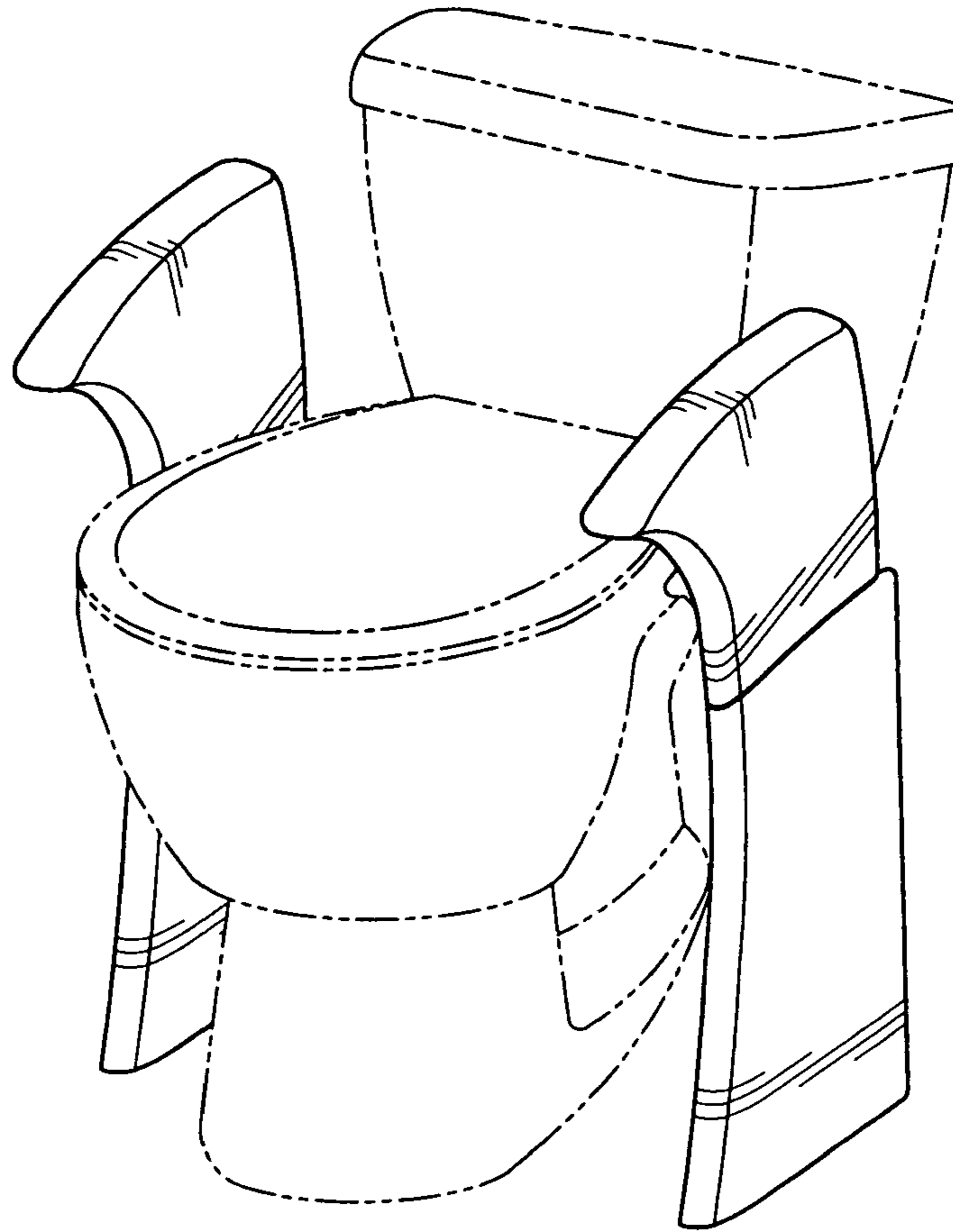
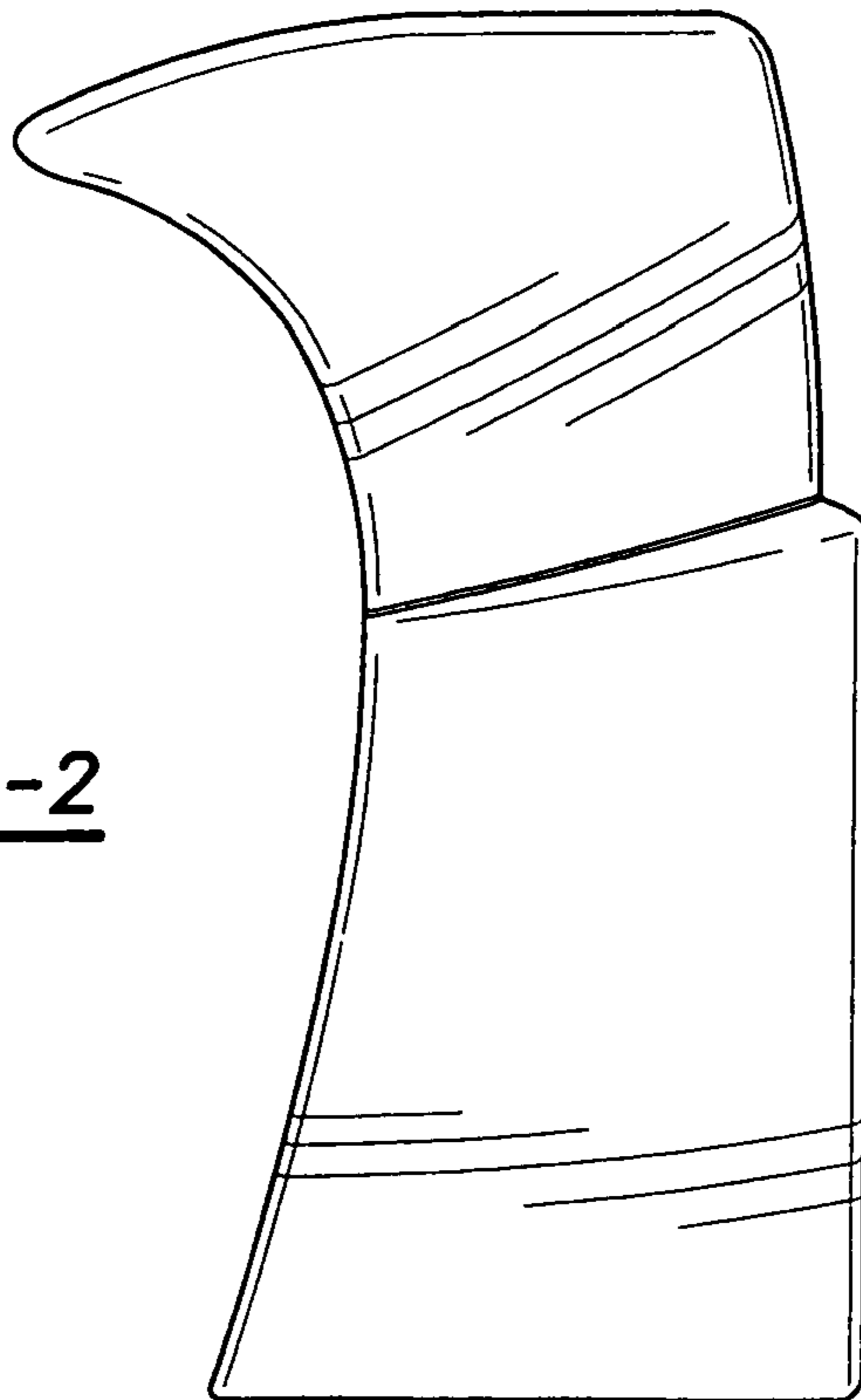


Fig-2



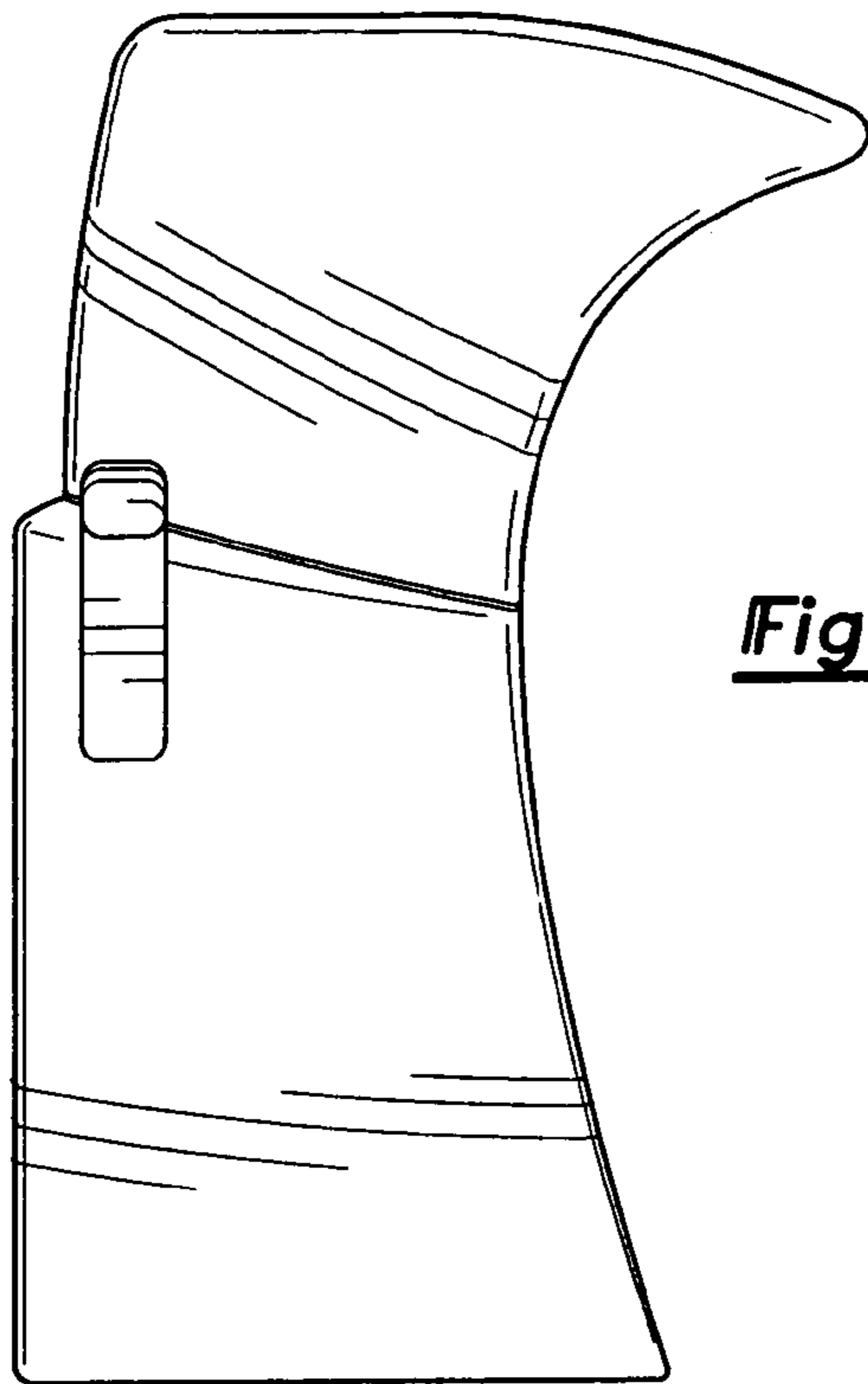


Fig-3

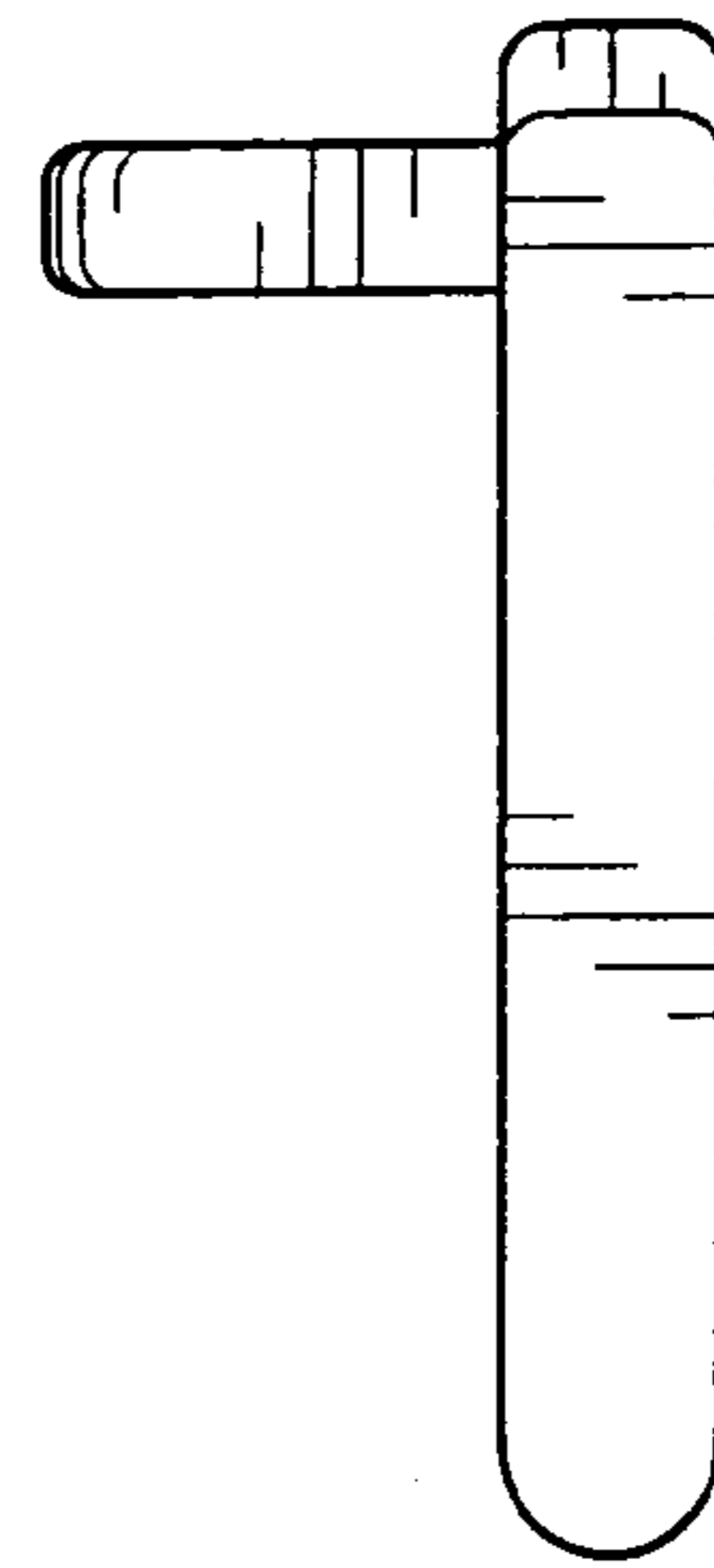


Fig-4

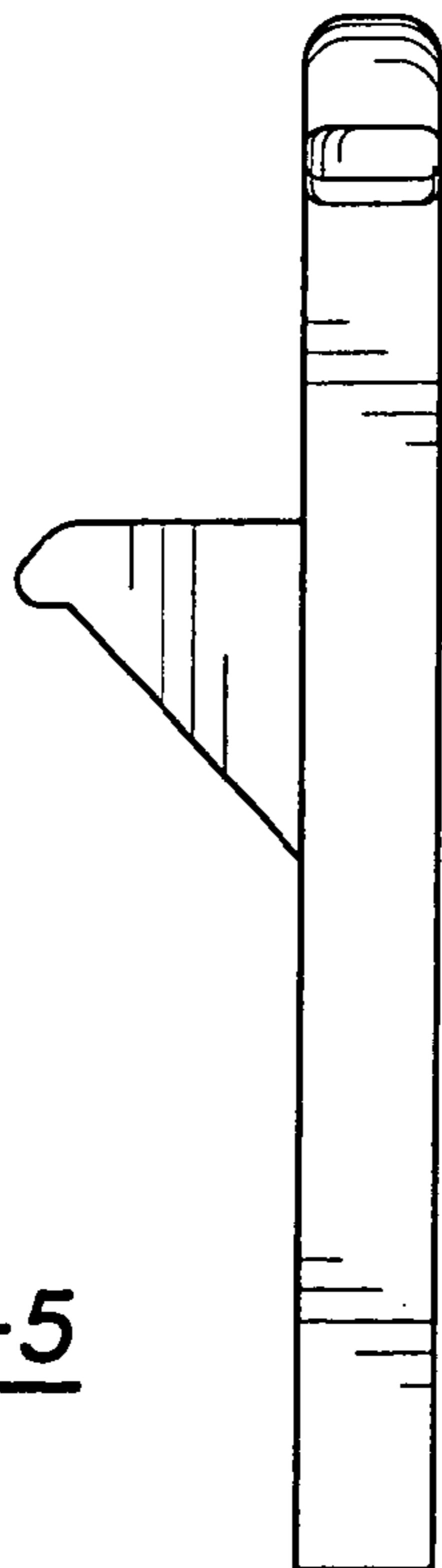


Fig-5