



US00D556299S

(12) **United States Design Patent** (10) **Patent No.:** **US D556,299 S**
Sutopo (45) **Date of Patent:** **** Nov. 27, 2007**

- (54) **SINK**
- (75) Inventor: **Elise A. Sutopo**, Sheboygan, WI (US)
- (73) Assignee: **Kohler Co.**, Kohler, WI (US)
- (**) Term: **14 Years**
- (21) Appl. No.: **29/277,515**
- (22) Filed: **Feb. 28, 2007**

Related U.S. Application Data

- (62) Division of application No. 29/251,332, filed on Jan. 6, 2006.
- (51) **LOC (8) Cl.** **23-02**
- (52) **U.S. Cl.** **D23/290**
- (58) **Field of Classification Search** D23/290,
D23/303, 308; 4/639-642
See application file for complete search history.

References Cited

U.S. PATENT DOCUMENTS

- D323,704 S 2/1992 Stairs, Jr.
- D324,097 S 2/1992 Evatt et al.
- D326,711 S * 6/1992 Lotito et al. D23/290

OTHER PUBLICATIONS

Kohler Co., 2004 K-700 Design Manual "Understone, High/Low," Model K-3355-NA, Stainless Steel Kitchen.
Wila Verlag GmbH—Alle Rechte vorbehalten Catalog page, Villeroy & Boch sink, Oct. 1, 1989.

* cited by examiner

Primary Examiner—Robert A. Delehanty
(74) *Attorney, Agent, or Firm*—Quarles & Brady LLP

(57) **CLAIM**

The ornamental design for a sink, as shown and described.

DESCRIPTION

In a preferred embodiment, the nature of this product is as a plumbing fixture primarily useful for washing various objects.

FIG. 1 is a right, top, front perspective view of my new design;

FIG. 2 is a top plan view thereof;

FIG. 3 is a front elevational view thereof;

FIG. 4 is a right side elevational view thereof;

FIG. 5 is a left side elevational view thereof;

FIG. 6 is a rear elevational view thereof;

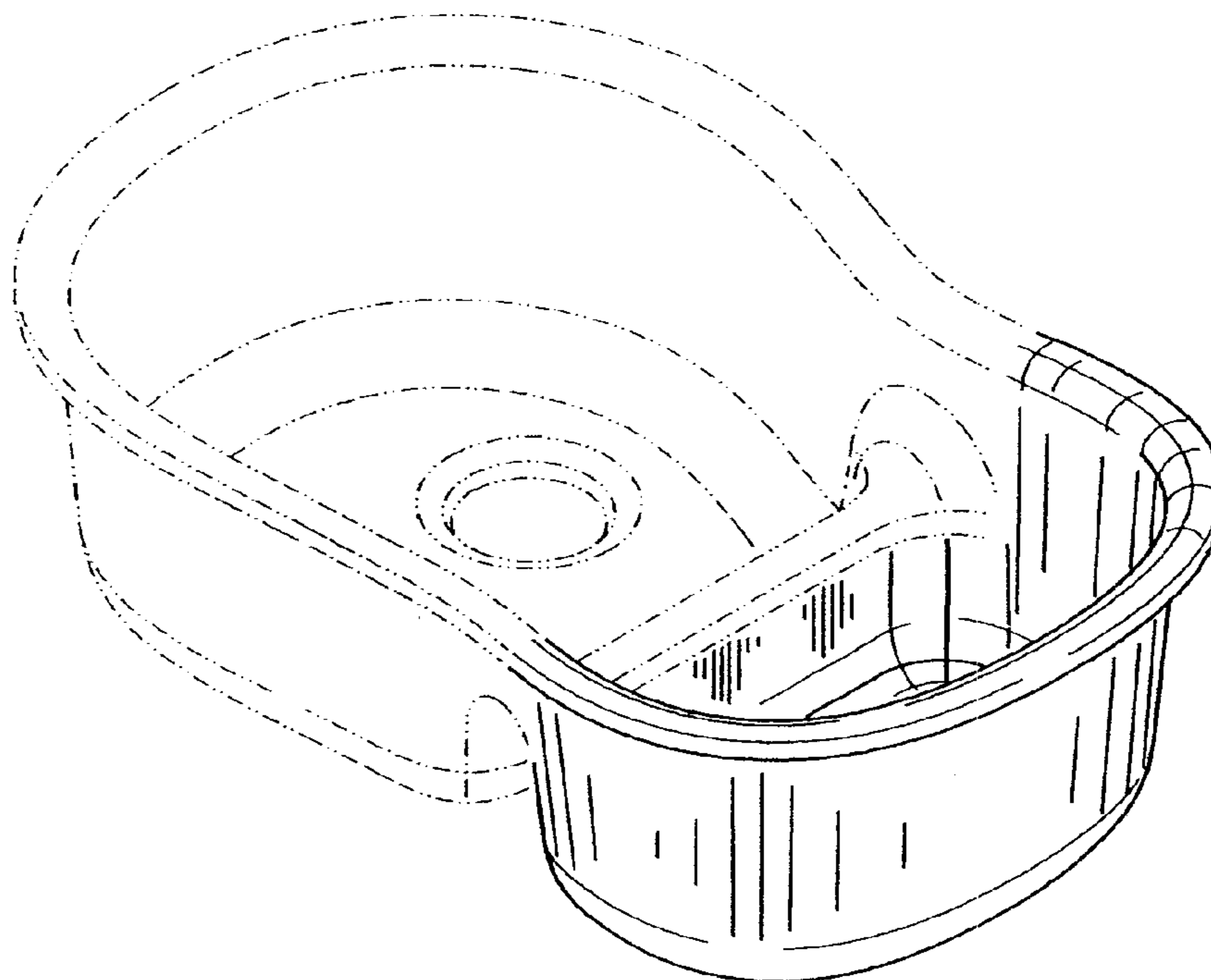
FIG. 7 is a bottom plan view thereof;

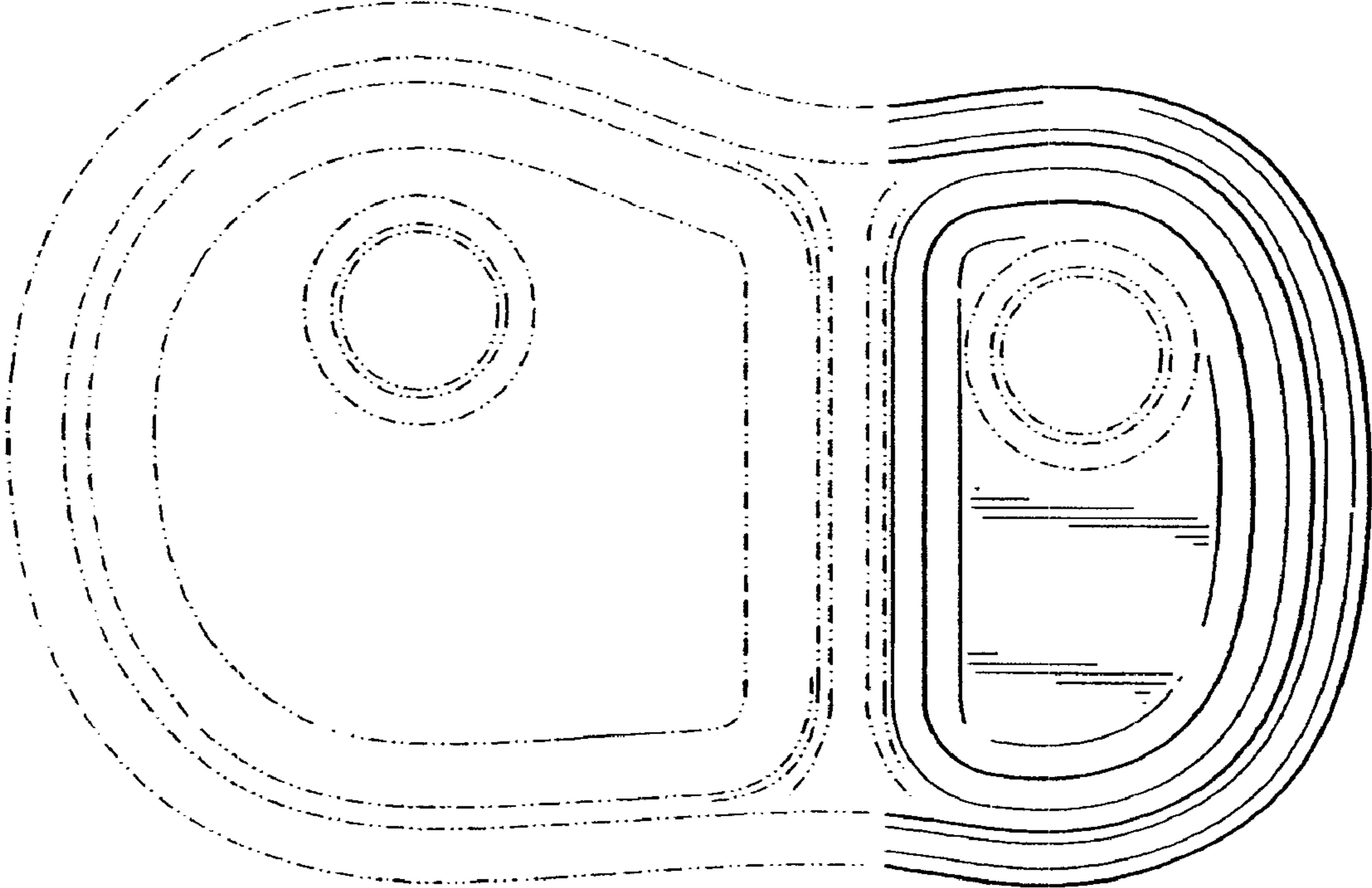
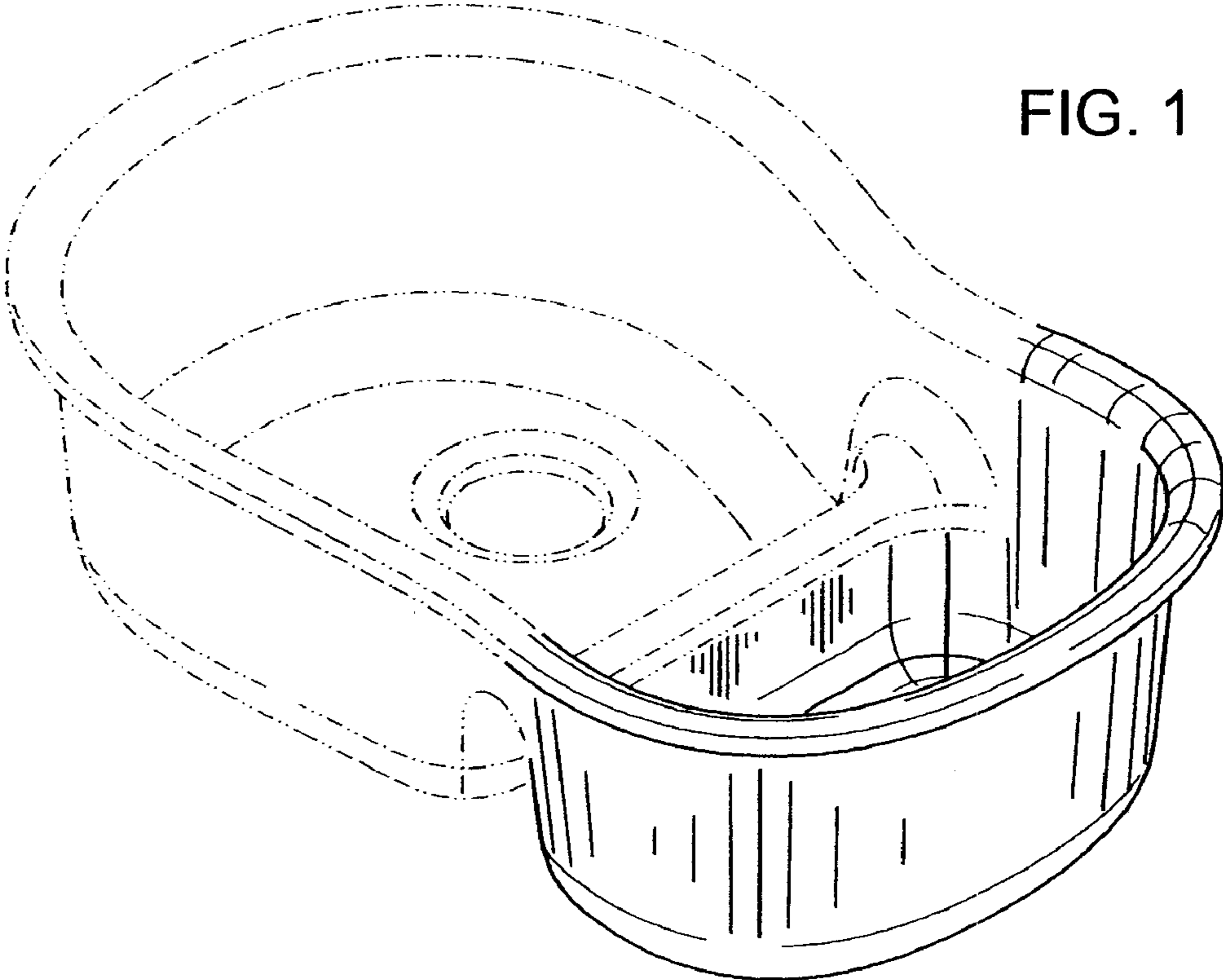
FIG. 8 is a left, top, front perspective view of a sink according to another embodiment of my new design, the front, left, right and rear elevational views thereof and the bottom plan view thereof being mirror images of respective FIGS. 3-7; and,

FIG. 9 is a top plan view thereof.

The broken line representations of drain structure in the figures, wall structure in FIG. 5, and basin environment in FIGS. 1-4 and 6-9, are for the purpose of illustration only, and form no part of the claimed design.

1 Claim, 4 Drawing Sheets





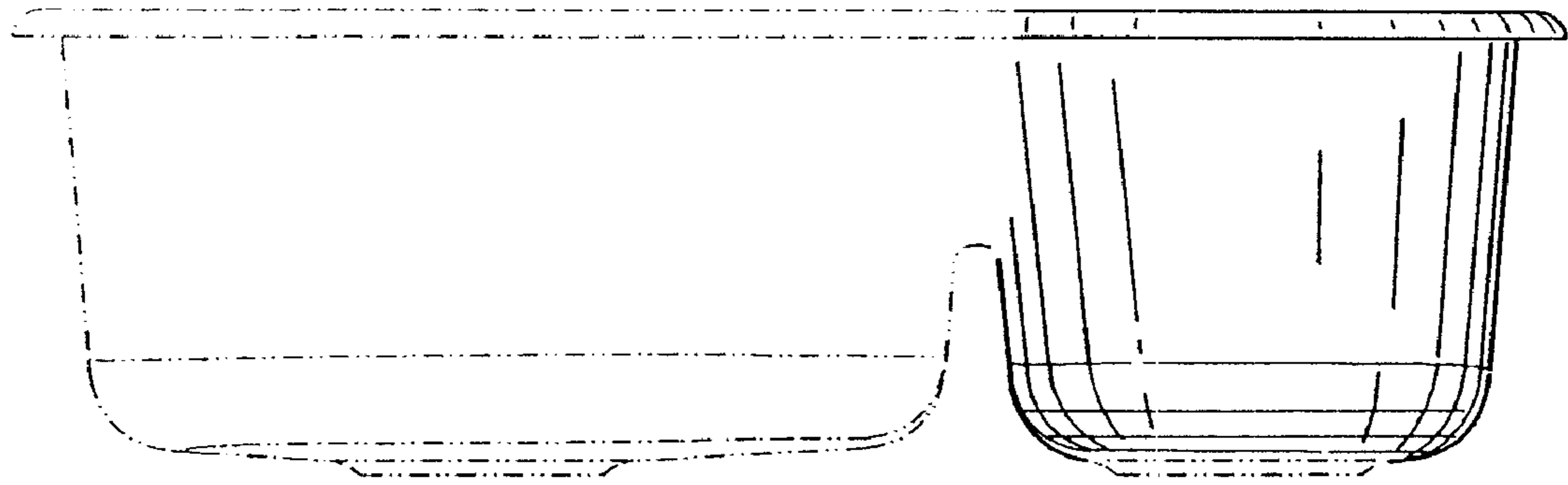


FIG. 3

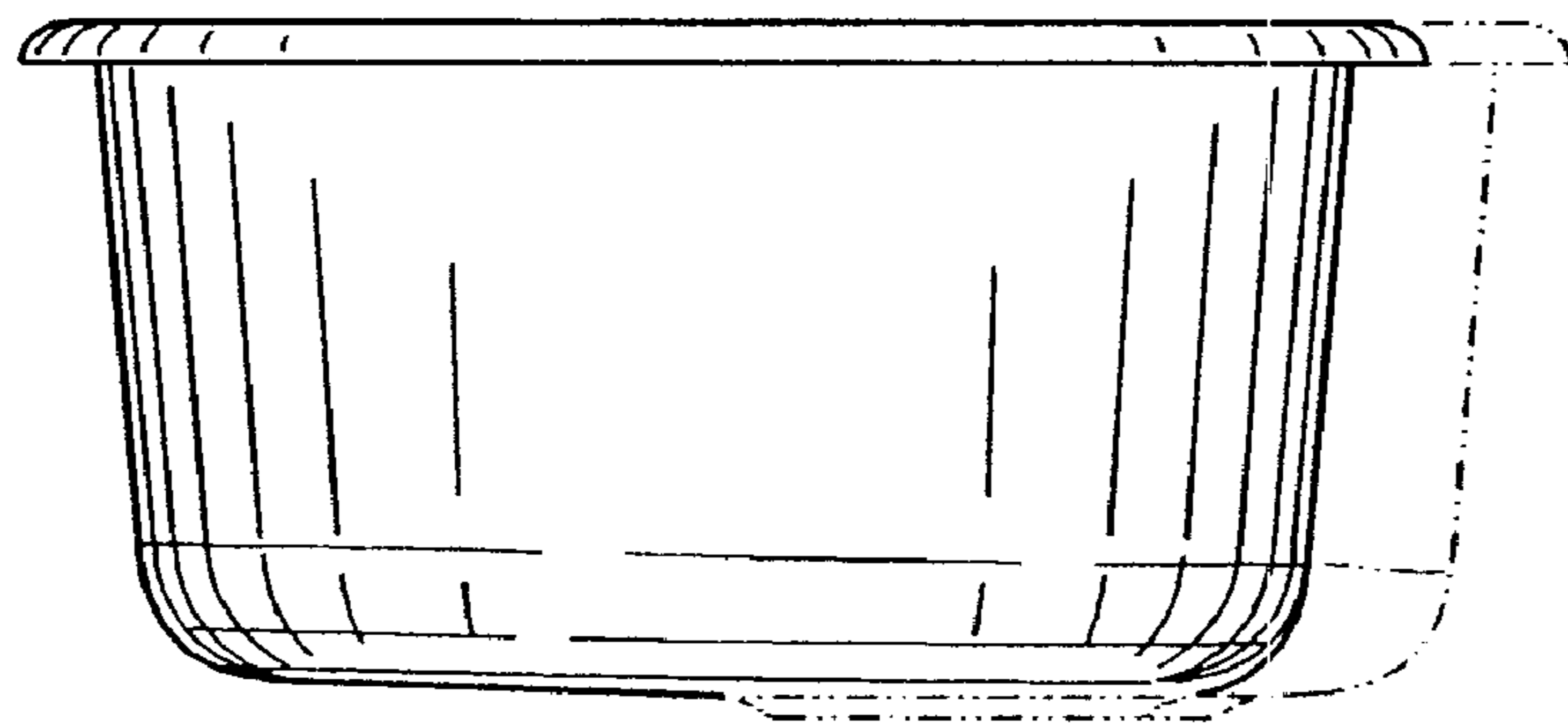


FIG. 4

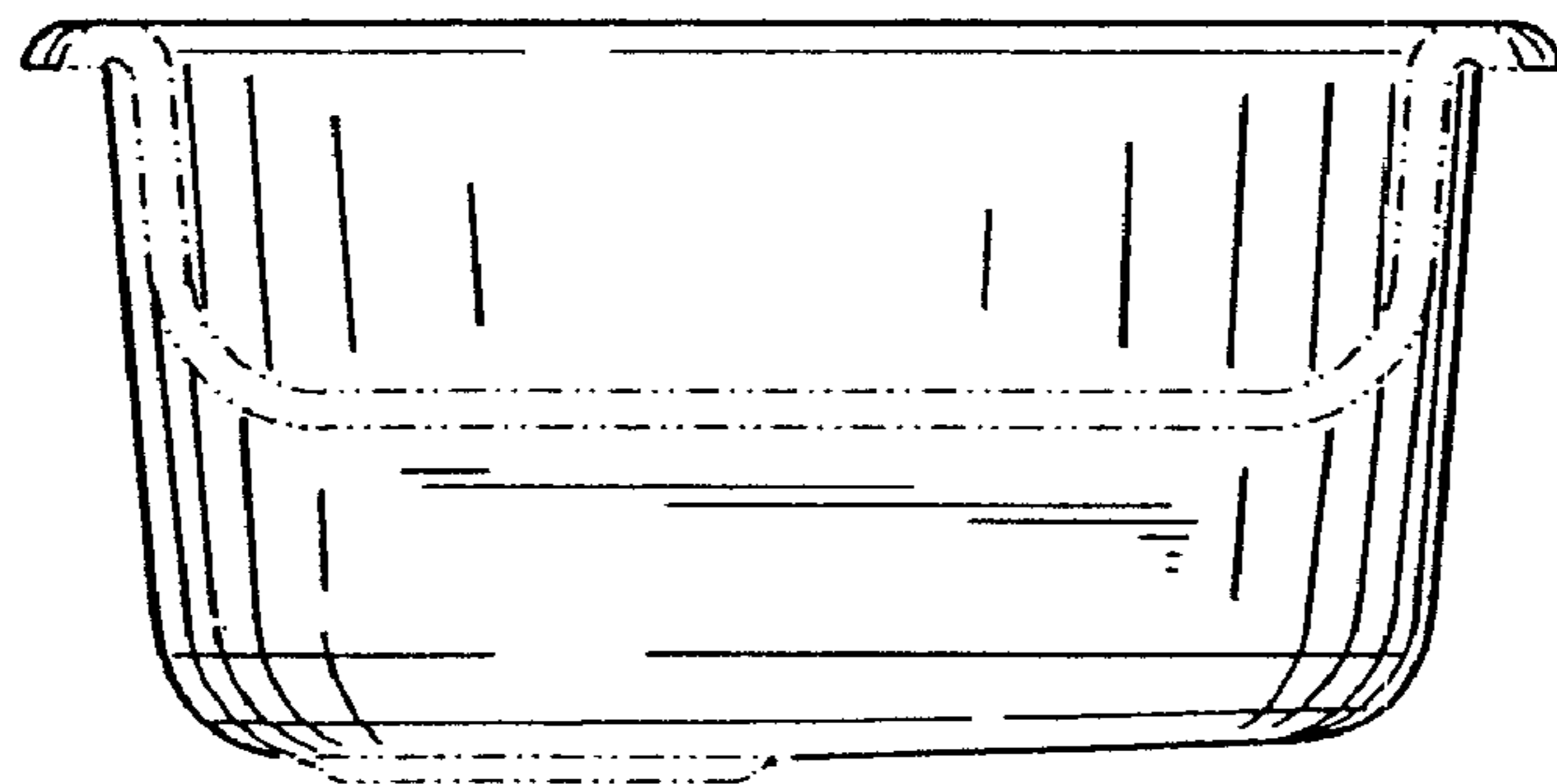


FIG. 5

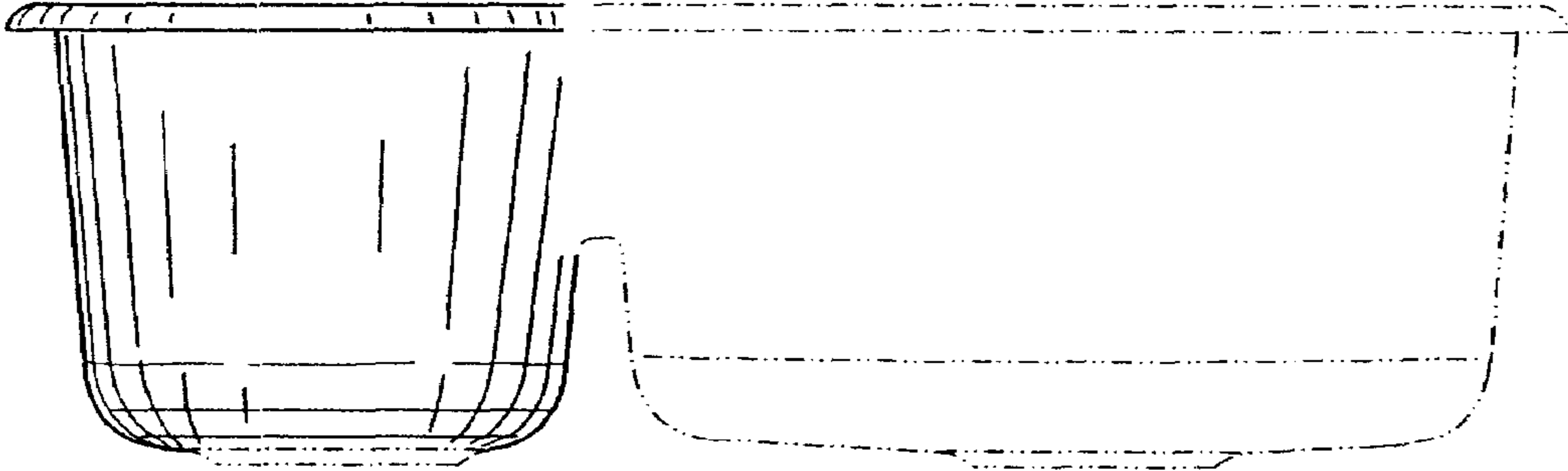


FIG. 6

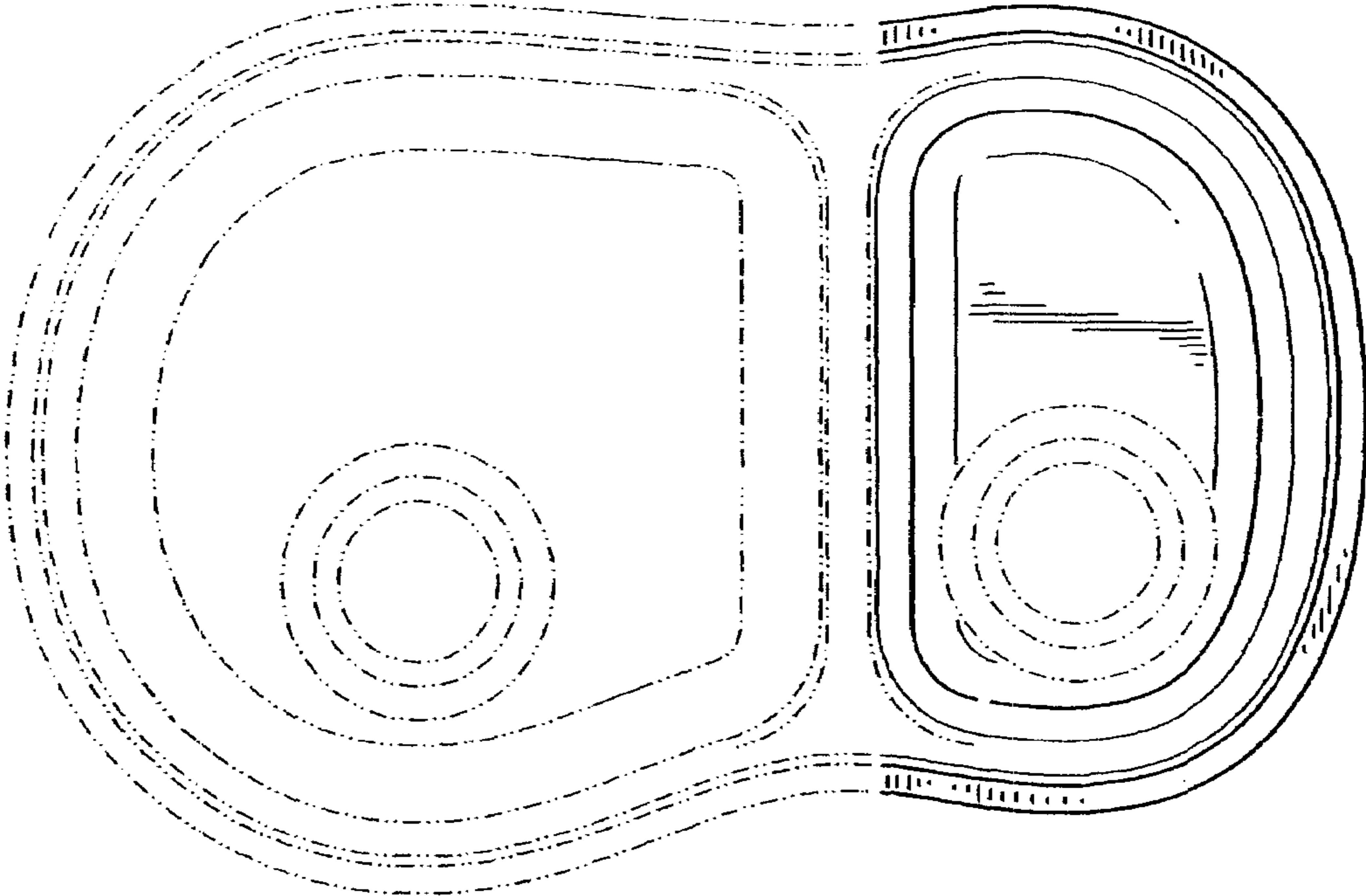


FIG. 7

FIG. 8

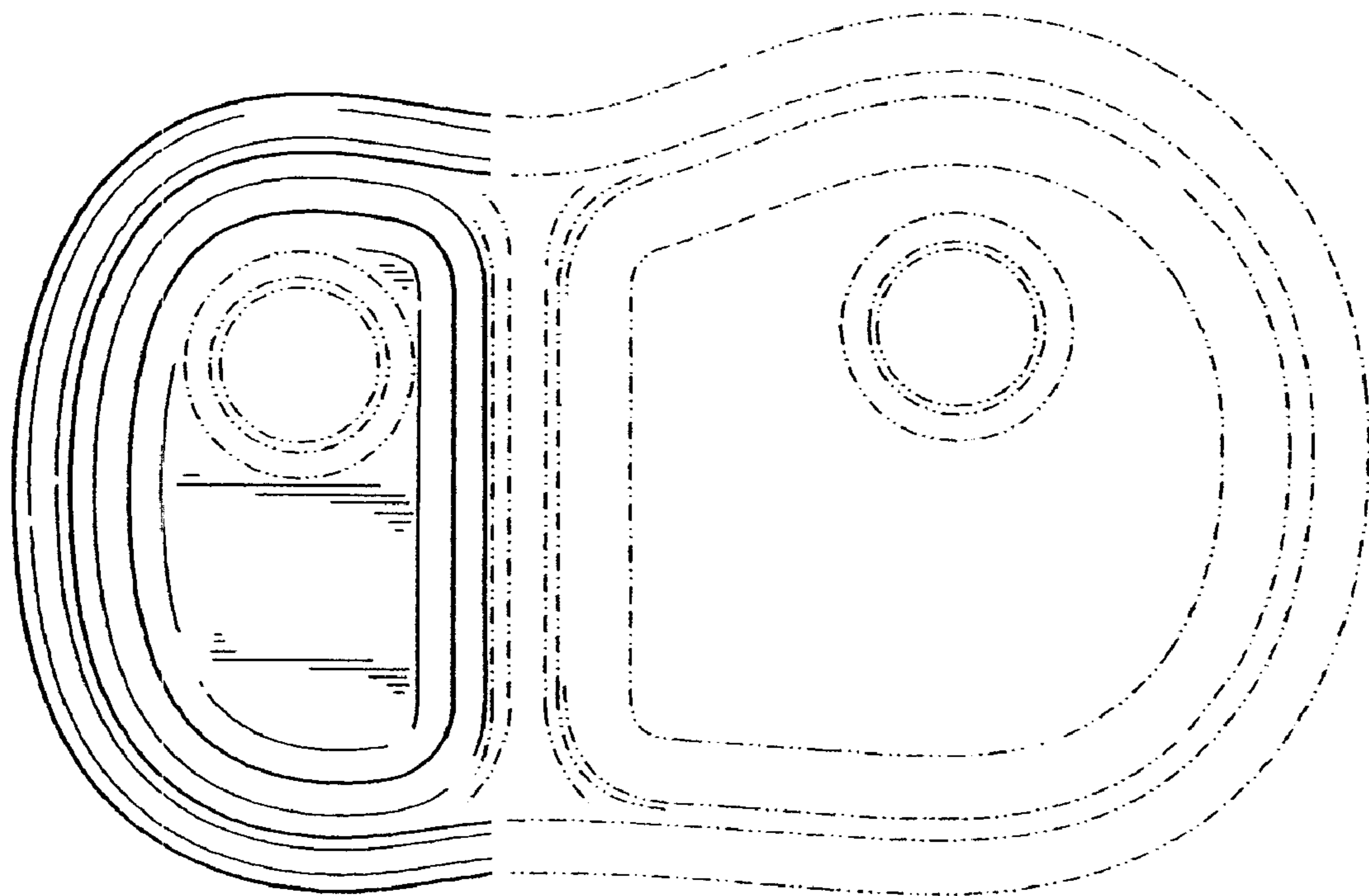
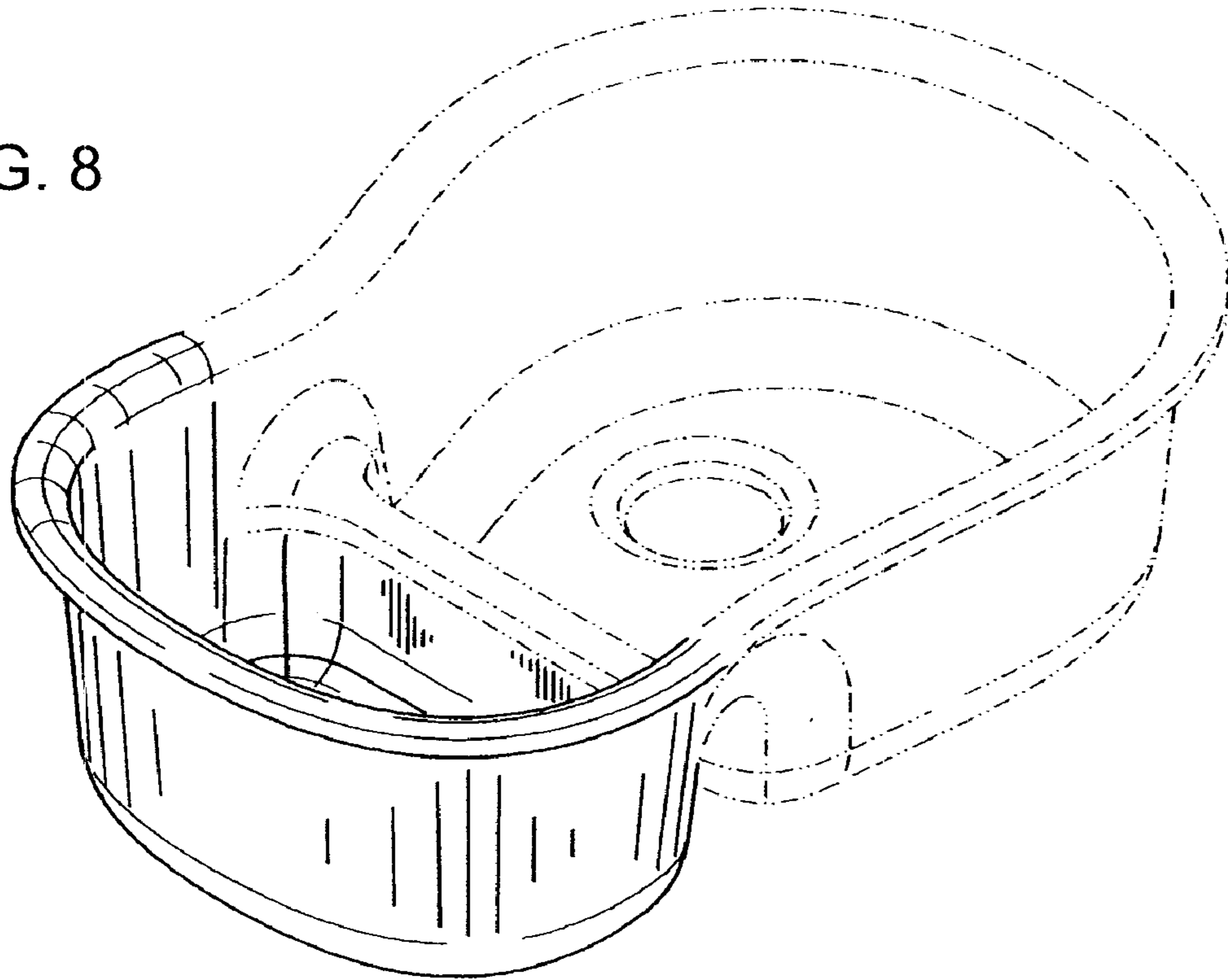


FIG. 9