



US00D556298S

(12) **United States Design Patent**
Sutopo

(10) **Patent No.:** **US D556,298 S**

(45) **Date of Patent:** **** Nov. 27, 2007**

(54) **SINK**

(75) Inventor: **Elise A. Sutopo**, Sheboygan, WI (US)

(73) Assignee: **Kohler Co.**, Kohler, WI (US)

(**) Term: **14 Years**

(21) Appl. No.: **29/251,332**

(22) Filed: **Jan. 6, 2006**

(51) **LOC (8) Cl.** **23-02**

(52) **U.S. Cl.** **D23/290**

(58) **Field of Classification Search** D23/290,
D23/303, 308; 4/639-642

See application file for complete search history.

(56) **References Cited**

U.S. PATENT DOCUMENTS

- D323,704 S 2/1992 Stairs, Jr.
- D324,097 S 2/1992 Evatt et al.
- D326,711 S * 6/1992 Lotito et al. D23/290

OTHER PUBLICATIONS

Kohler Co., 2004 K-700 Design Manual "Undertone, High/Low," Model K-3355-NA, Stainless Steel Kitchen.
Wila Verlag GmbH—Alle Rechte vorbehalten Catalog page, Villeroy & Boch sink, Oct. 1, 1989.

* cited by examiner

Primary Examiner—Robert A. Delehanty

(74) *Attorney, Agent, or Firm*—Quarles & Brady LLP

(57) **CLAIM**

The ornamental design for a sink, as shown and described.

DESCRIPTION

In a preferred embodiment, the nature of this product is as a plumbing fixture primarily useful for washing various objects.

FIG. 1 is a right, top, front perspective view of a sink according to my new design;

FIG. 2 is a top plan view thereof;

FIG. 3 is a front elevational view thereof;

FIG. 4 is a right side elevational view thereof;

FIG. 5 is a left side elevational view thereof;

FIG. 6 is a rear elevational view thereof;

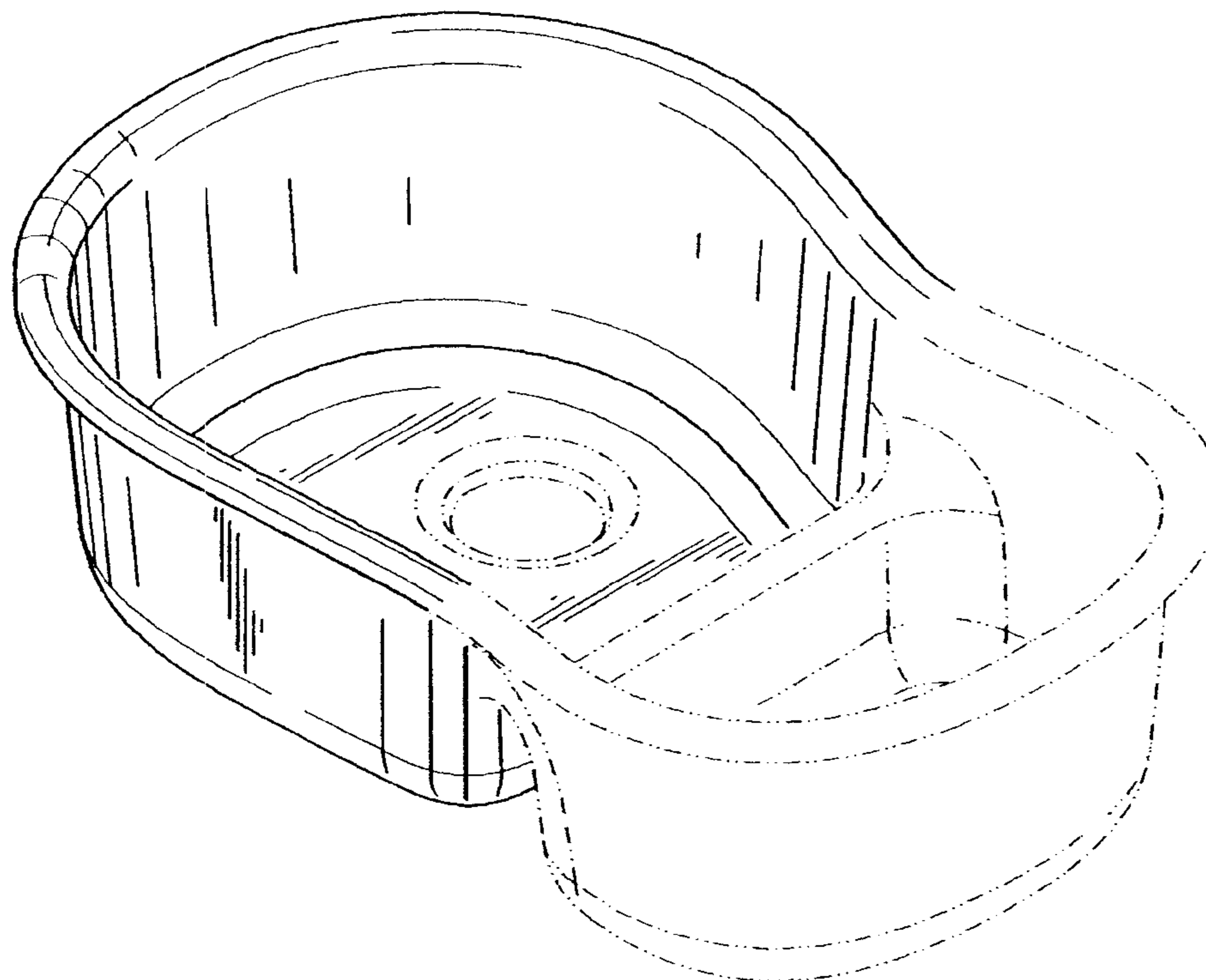
FIG. 7 is a bottom plan view thereof;

FIG. 8 is a left, top, front perspective view of a sink according to my new design, the front, left, right and rear elevational views thereof and the bottom plan view thereof being mirror images of respective FIGS. 3-7; and,

FIG. 9 is a top plan view thereof.

The broken line representations of drain structure in the figures, wall structure in FIG. 4, and basin environment in FIGS. 1-4 and 6-9, are for the purpose of illustration only, and form no part of the claimed design.

1 Claim, 4 Drawing Sheets



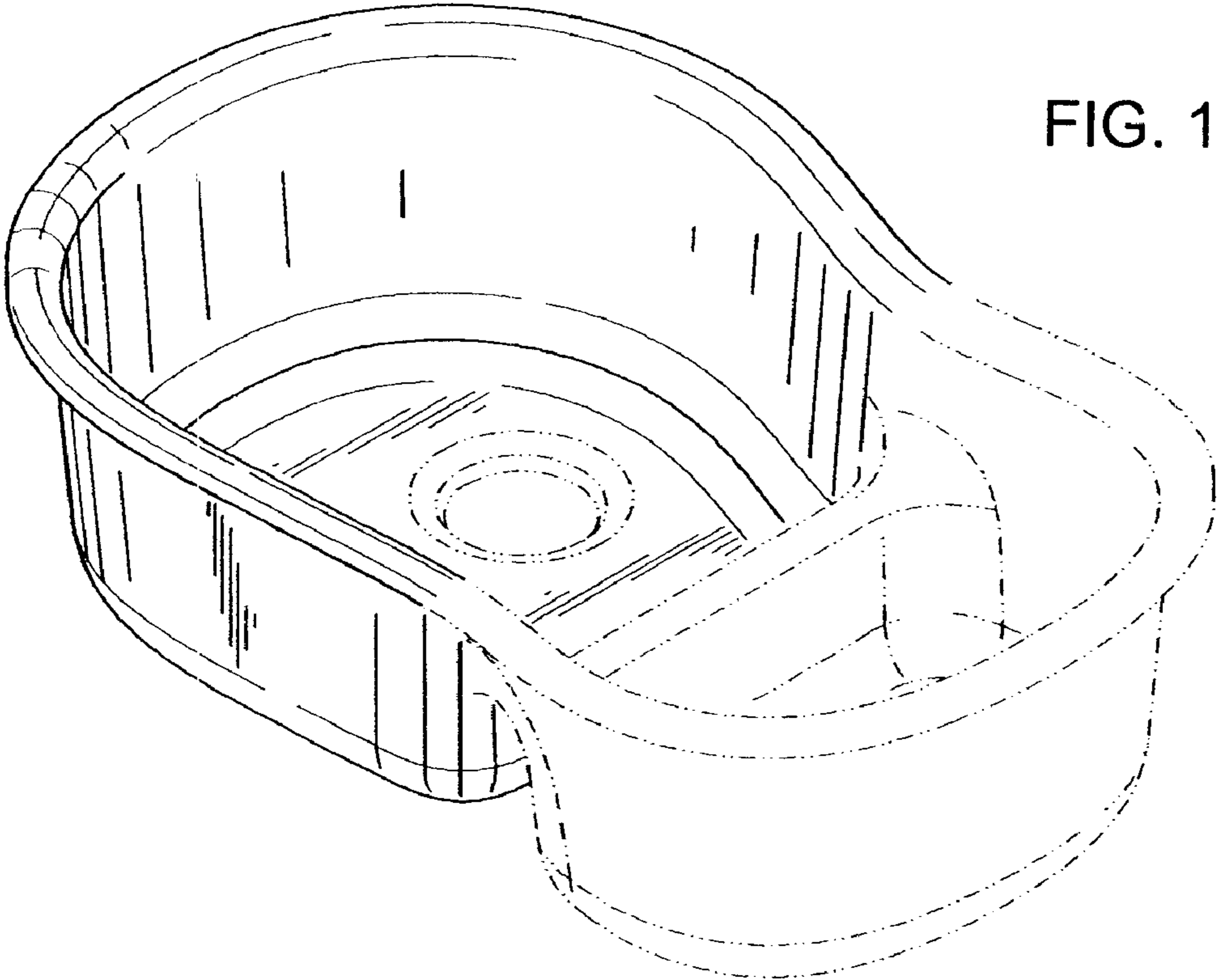


FIG. 1

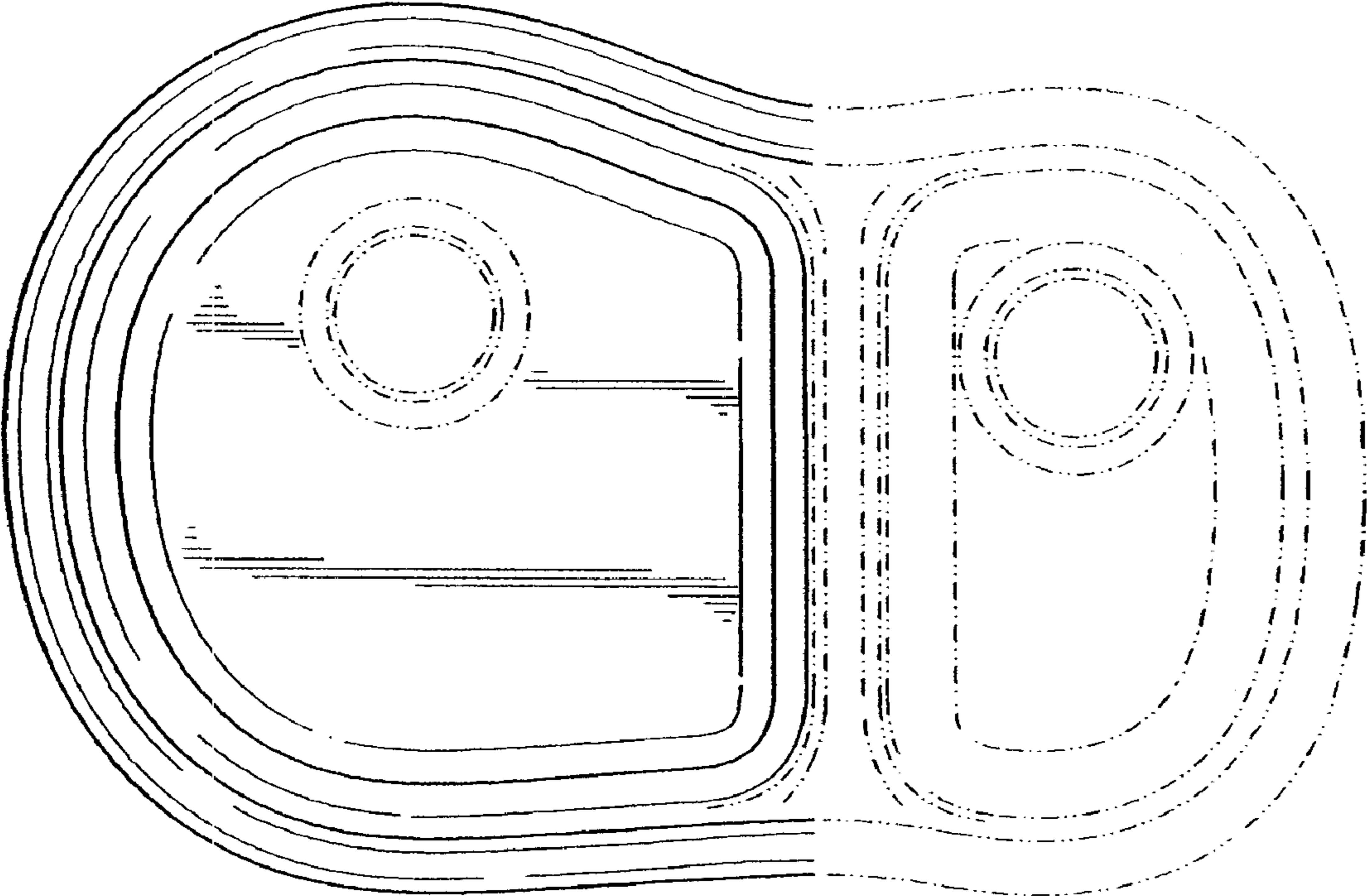


FIG. 2

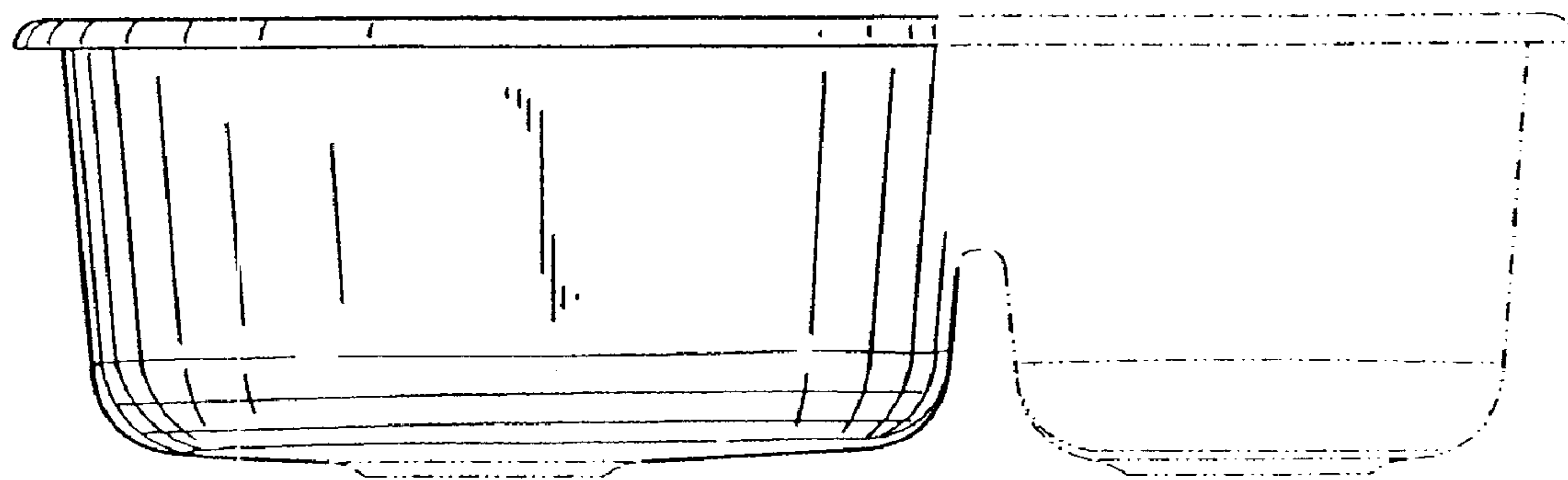


FIG. 3

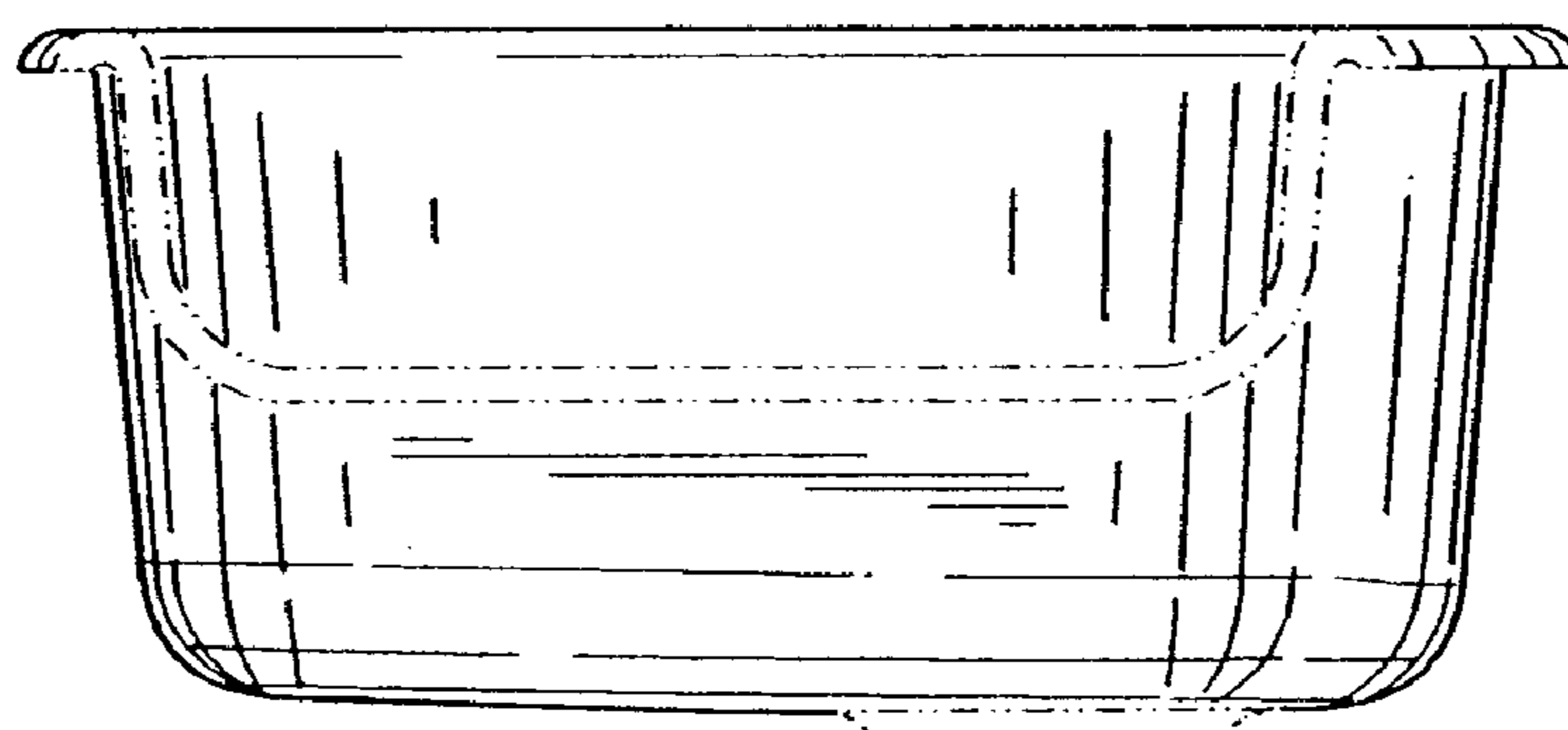


FIG. 4

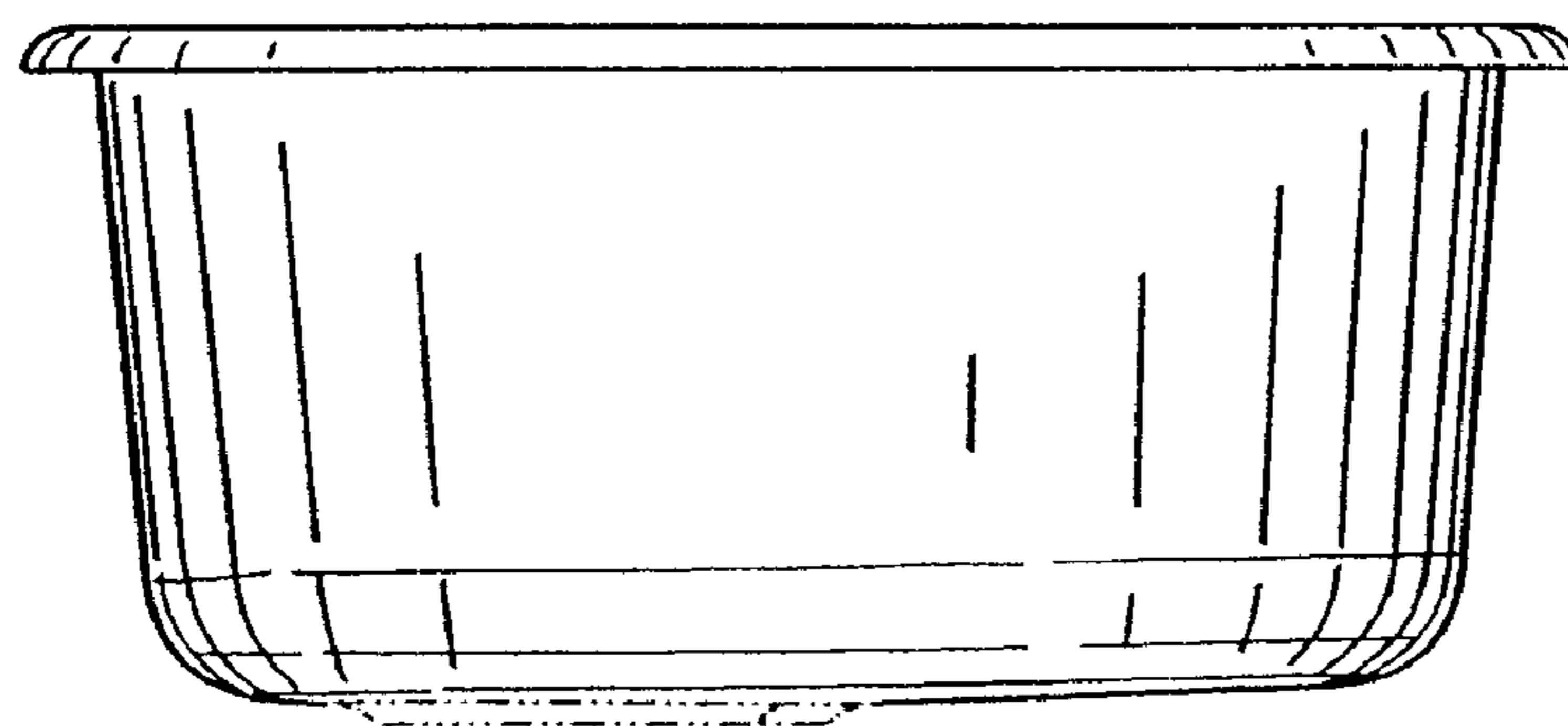


FIG. 5

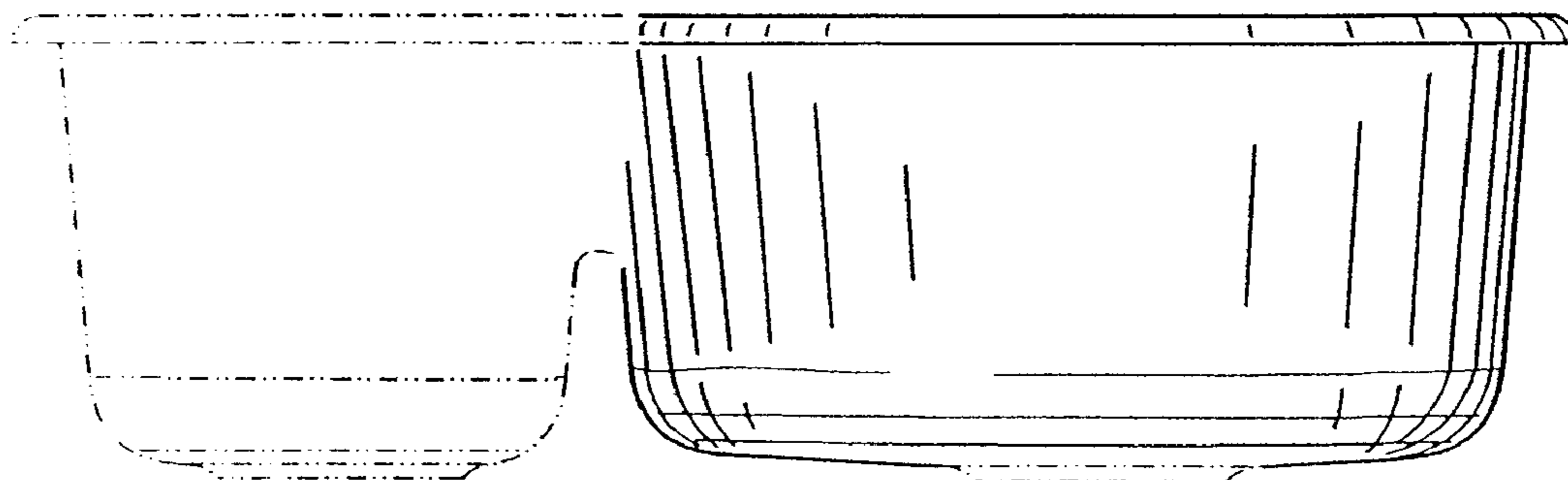


FIG. 6

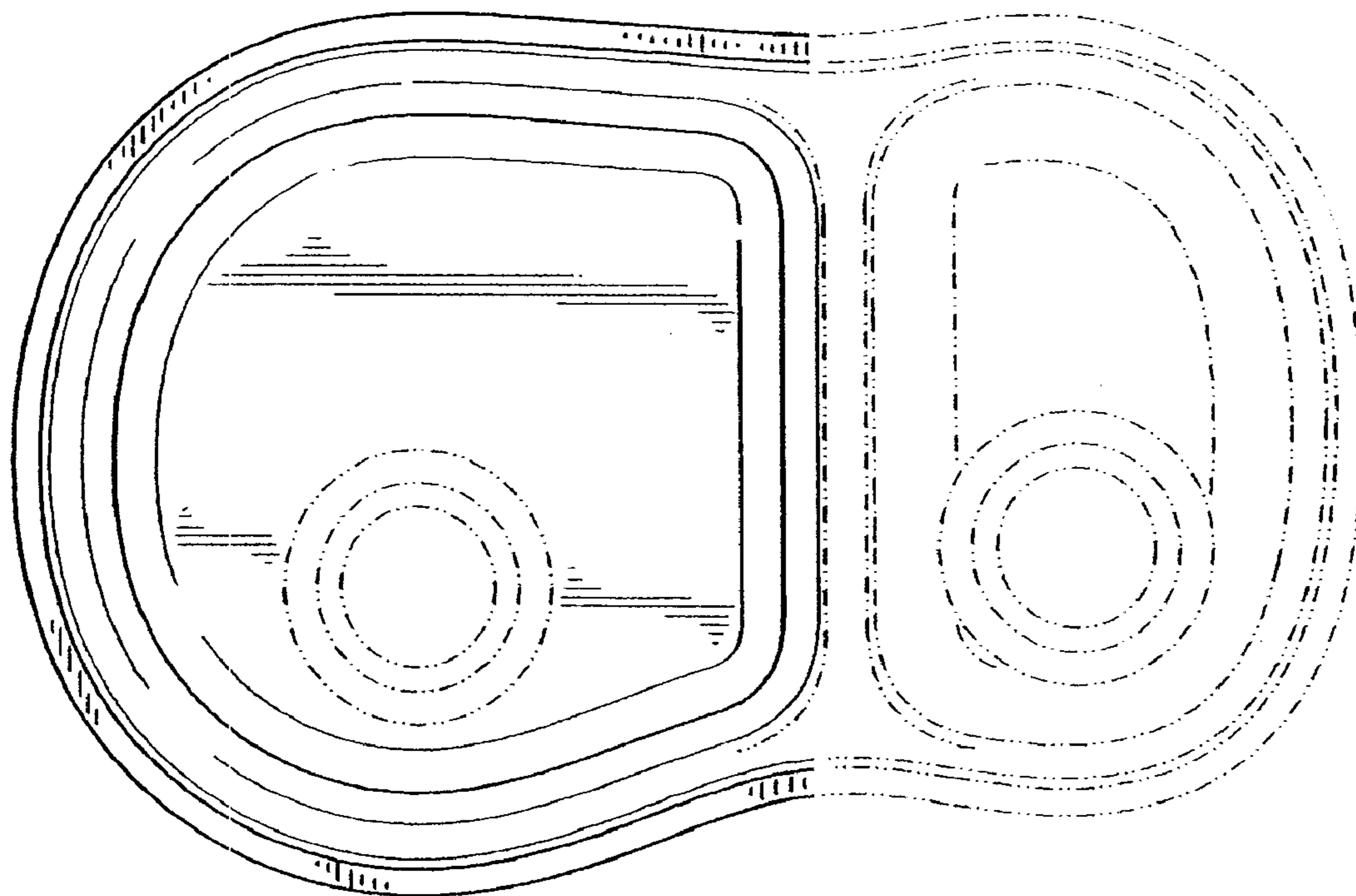


FIG. 7

FIG. 8

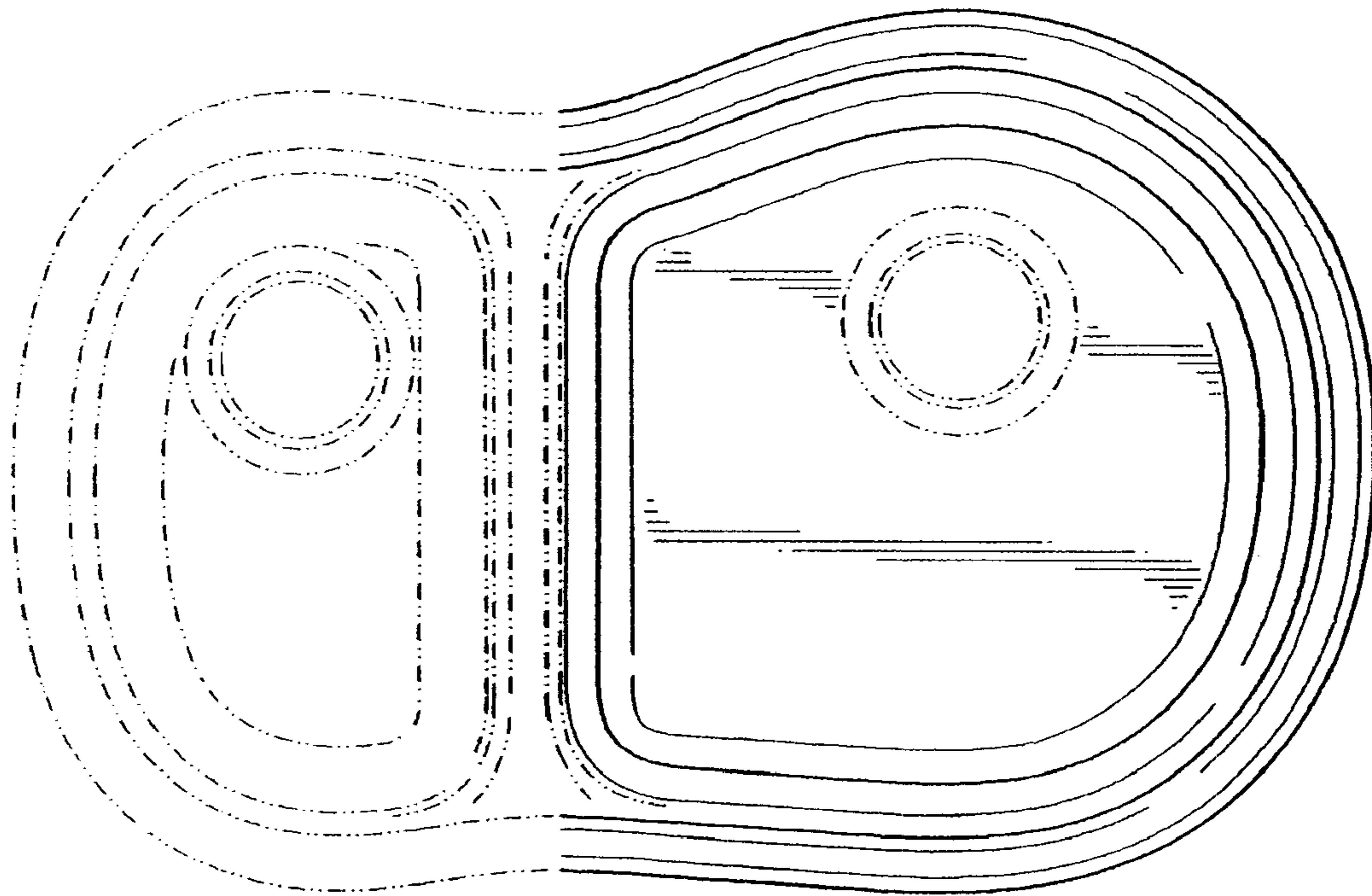
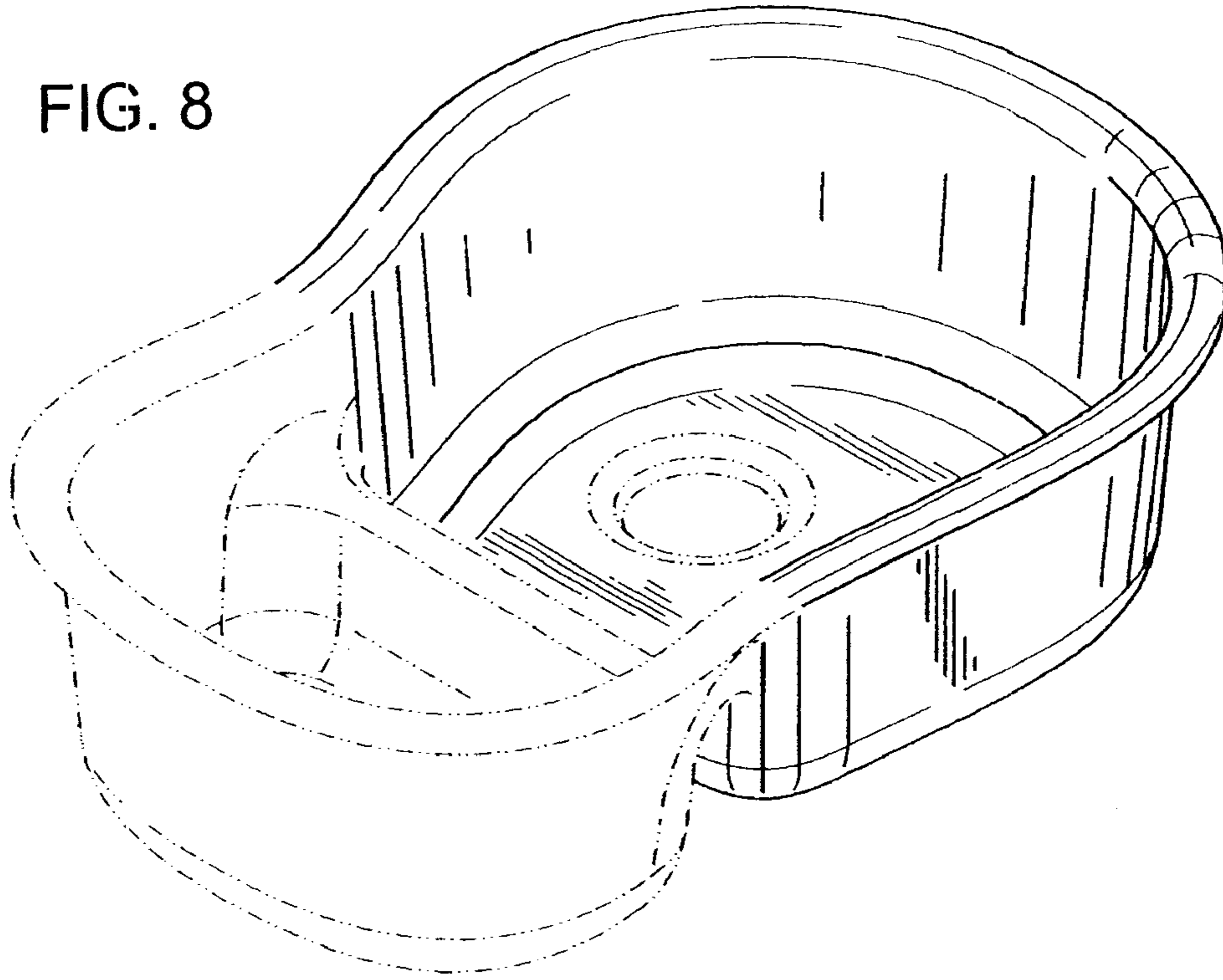


FIG. 9