



US00D556297S

(12) **United States Design Patent** (10) **Patent No.:** **US D556,297 S**  
**Baade et al.** (45) **Date of Patent:** **\*\* Nov. 27, 2007**

(54) **VANITY**

(75) Inventors: **Jonell J. Baade**, Milwaukee, WI (US);  
**Alex LeTourneau**, Sheboygan, WI (US)

(73) Assignee: **Kohler Co.**, Kohler, WI (US)

(\*\*) Term: **14 Years**

(21) Appl. No.: **29/258,203**

(22) Filed: **Apr. 18, 2006**

(51) **LOC (8) Cl.** ..... **23-02**

(52) **U.S. Cl.** ..... **D23/286; D23/303**

(58) **Field of Classification Search** ..... D6/398,  
D6/342-434, 441, 445-449, 491, 492, 509-511;  
D23/273; 297/284-285, 286-290, 293.1,  
297/303, 308; D25/123, 125; 312/140.1,  
312/140.3, 228; 4/619, 620, 624, 625, 630,  
4/631

See application file for complete search history.

(56) **References Cited**

**U.S. PATENT DOCUMENTS**

112,083	A *	2/1871	Shaw	.....	312/228
200,480	A *	2/1878	Rivera	.....	312/228
D22,466	S *	5/1893	Malloy	.....	D23/308
2,635,308	A *	4/1953	Crook	.....	312/228
D184,799	S *	4/1959	Clemens	.....	D6/509
D201,345	S *	6/1965	Falcan	.....	D23/286
D324,145	S *	2/1992	Diffrient	.....	D6/491
D340,602	S *	10/1993	Wood, Jr.	.....	D23/308
D353,295	S *	12/1994	Bodine	.....	D25/123
D536,770	S *	2/2007	Mayer	.....	D23/286

D538,063 S \* 3/2007 Baade ..... D6/448  
2007/0114893 A1 \* 5/2007 Styka et al. .... 312/228

**OTHER PUBLICATIONS**

Suneli. Vanity. Model No. 8032.  
Jacob Delafon. "Escale Collection". Model EB950. Jacob Delafon  
online catalog.

\* cited by examiner

*Primary Examiner*—Mimosa De

(74) *Attorney, Agent, or Firm*—Quarles & Brady LLP

(57) **CLAIM**

The ornamental design for a vanity, as shown and described.

**DESCRIPTION**

In a preferred embodiment, the nature of this product is a vanity such as can be used to support a lavatory.

FIG. 1 is a right, top, front perspective view of a vanity embodying our new design;

FIG. 2 is a front elevational view thereof;

FIG. 3 is a right side elevational view thereof, the left side elevational view thereof being a mirror image of the right side shown;

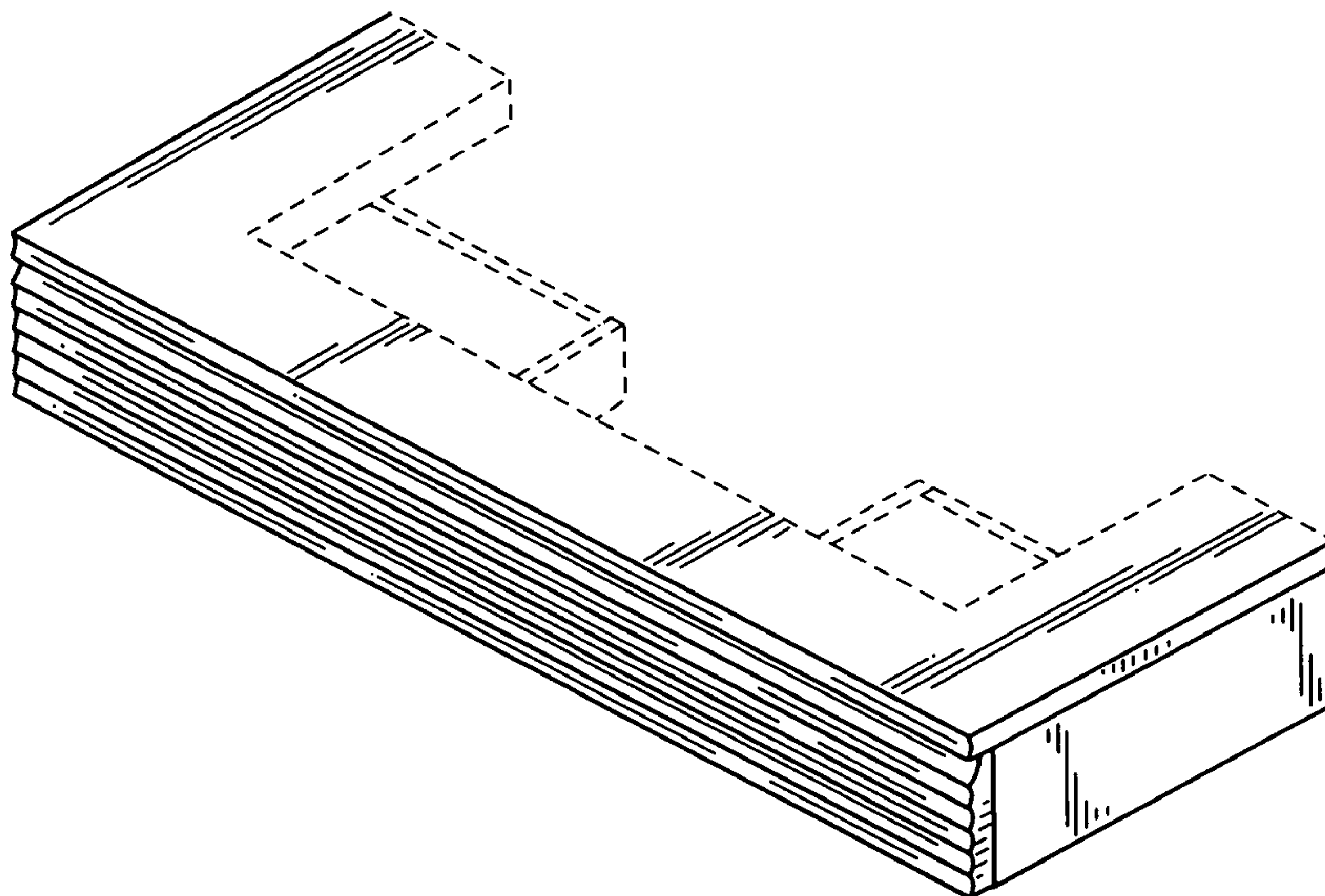
FIG. 4 is a top plan view thereof;

FIG. 5 is a bottom plan view thereof; and,

FIG. 6 is a rear elevational view thereof.

The broken line representations of wall structure in FIGS. 1 and 3-6, are for the purpose of illustration only, and form no part of the claimed design.

**1 Claim, 3 Drawing Sheets**



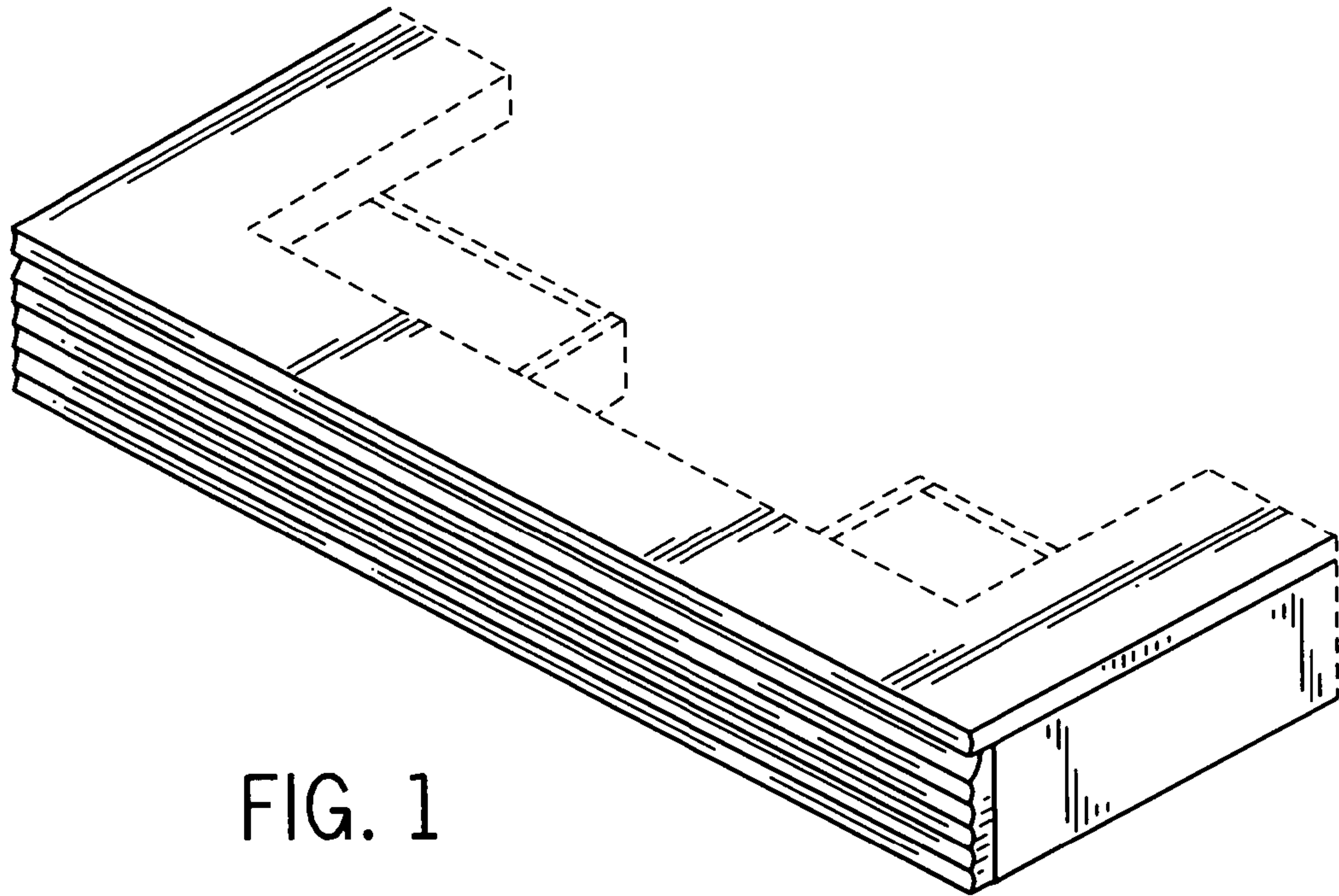


FIG. 1

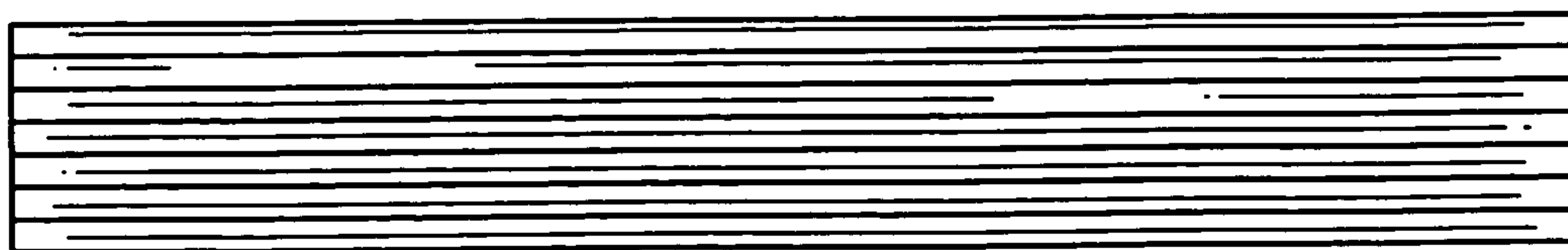


FIG. 2

FIG. 3

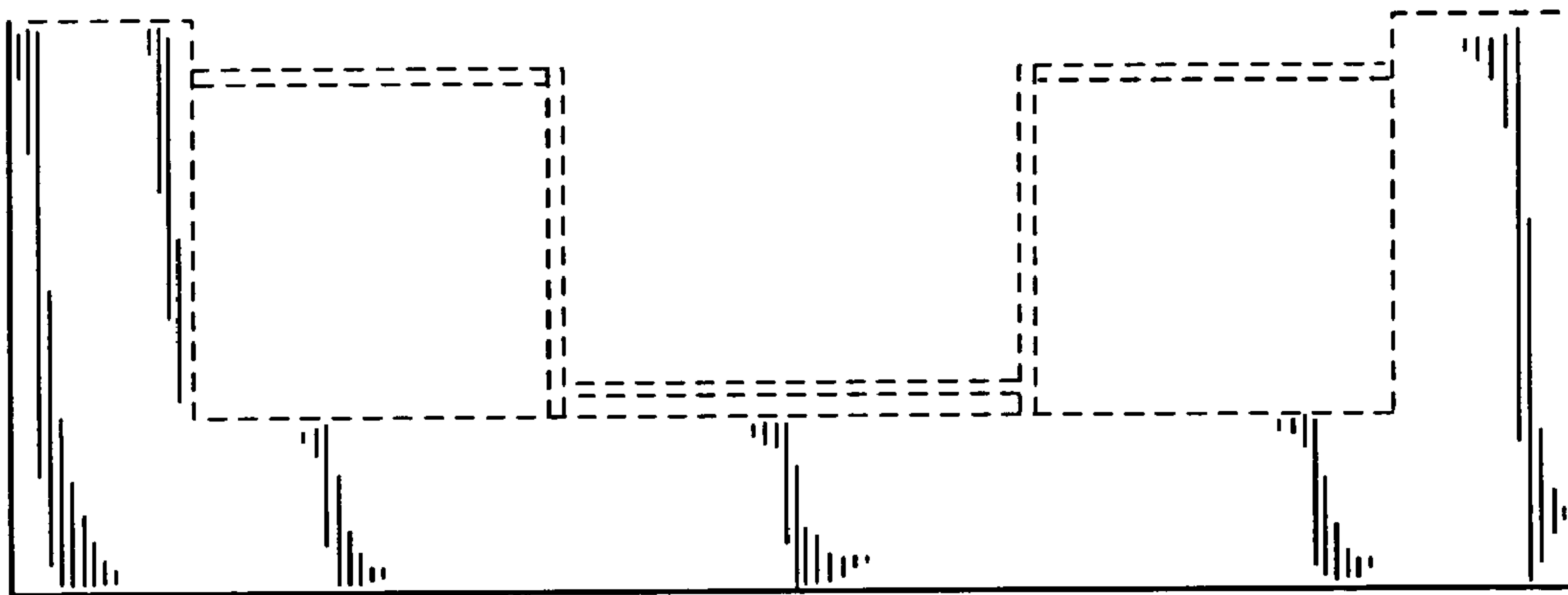
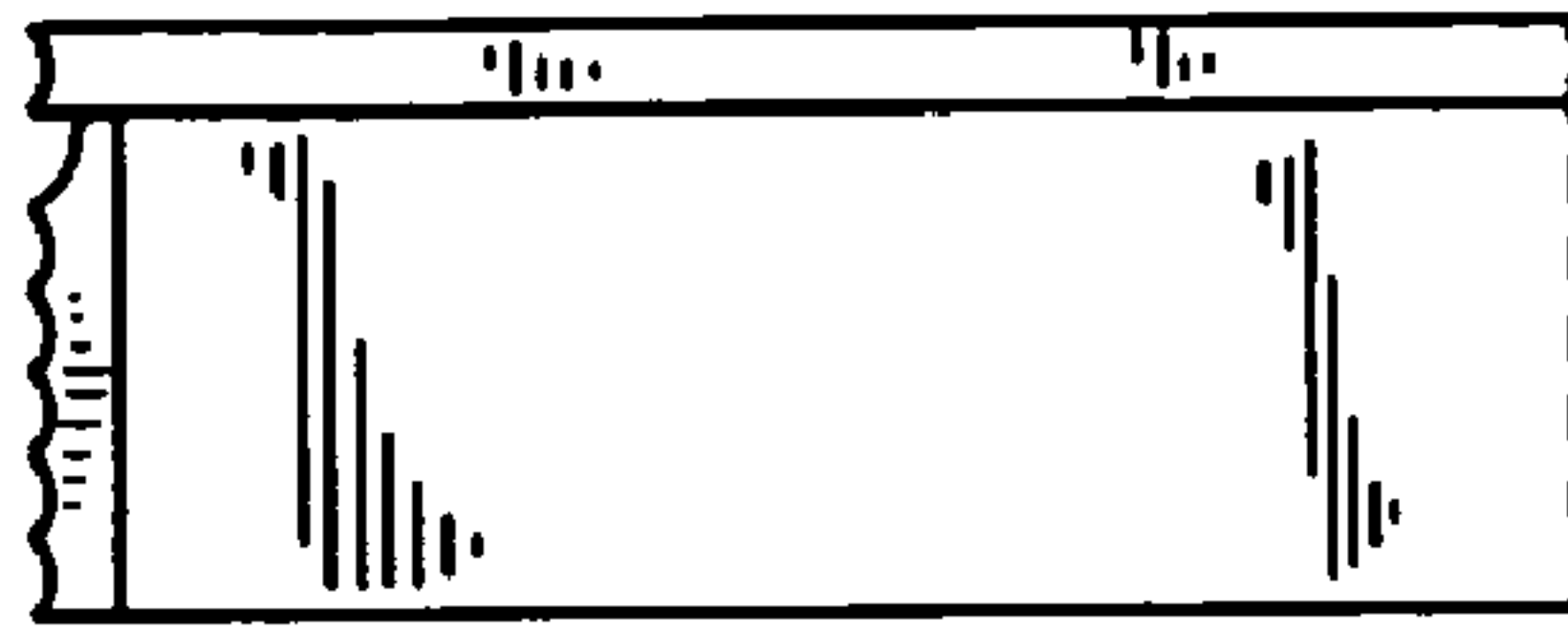


FIG. 4

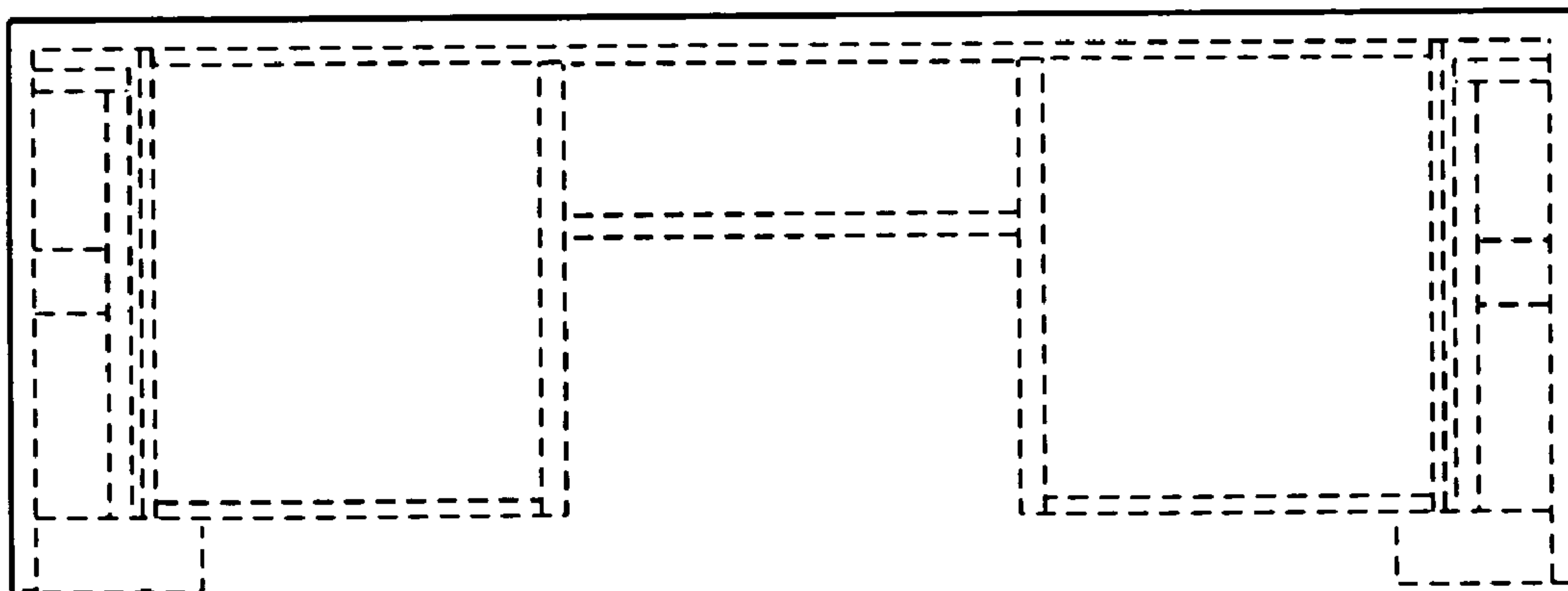


FIG. 5

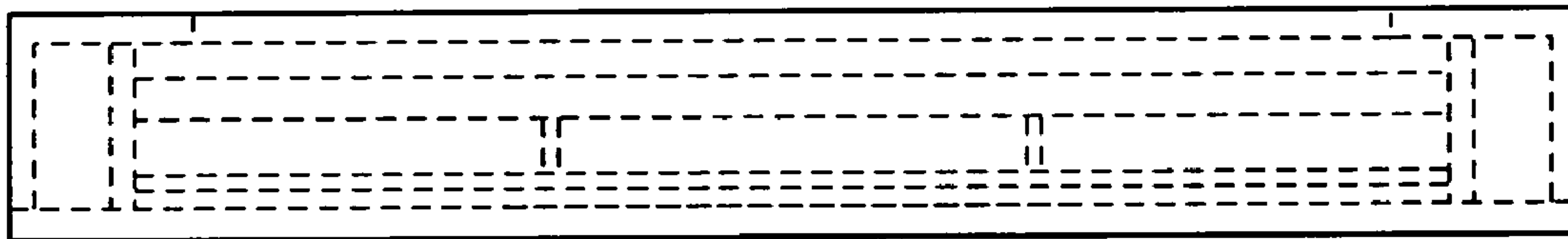


FIG. 6