



US00D556295S

(12) **United States Design Patent**
Genord et al.

(10) **Patent No.:** **US D556,295 S**

(45) **Date of Patent:** **** Nov. 27, 2007**

(54) **SHOWERHEAD**

D533,920 S * 12/2006 Dingler et al. D23/229
D534,242 S * 12/2006 Bailey et al. D23/229

(75) Inventors: **Dan Genord**, South Lyon, MI (US);
Noah Dingler, Waterford, MI (US);
Dominic Daunter, Howell, MI (US);
Michael Miller, Portage, MI (US)

* cited by examiner

Primary Examiner—Robin V. Webster
(74) *Attorney, Agent, or Firm*—Edgar A. Zarins; Lloyd D. Doigan

(73) Assignee: **Alsons Corporation**, Hillsdale, MI (US)

(57) **CLAIM**

(**) Term: **14 Years**

The ornamental design for a showerhead, as shown and described.

(21) Appl. No.: **29/262,207**

(22) Filed: **Jun. 28, 2006**

DESCRIPTION

(51) **LOC (8) Cl.** **23-01**

FIG. 1 is a front perspective view of a showerhead showing our new design;

(52) **U.S. Cl.** **D23/229**

FIG. 2 is a rear perspective view thereof;

(58) **Field of Classification Search** D23/213,

FIG. 3 is a front face view thereof;

D23/229–230; 239/282–283; 4/605, 615

FIG. 4 is a rear view thereof;

See application file for complete search history.

FIG. 5 is a first side view thereof; and,

(56) **References Cited**

FIG. 6 is a second side view thereof.

U.S. PATENT DOCUMENTS

The broken line showing is included for the purpose of illustrating and forms no part of the claimed design.

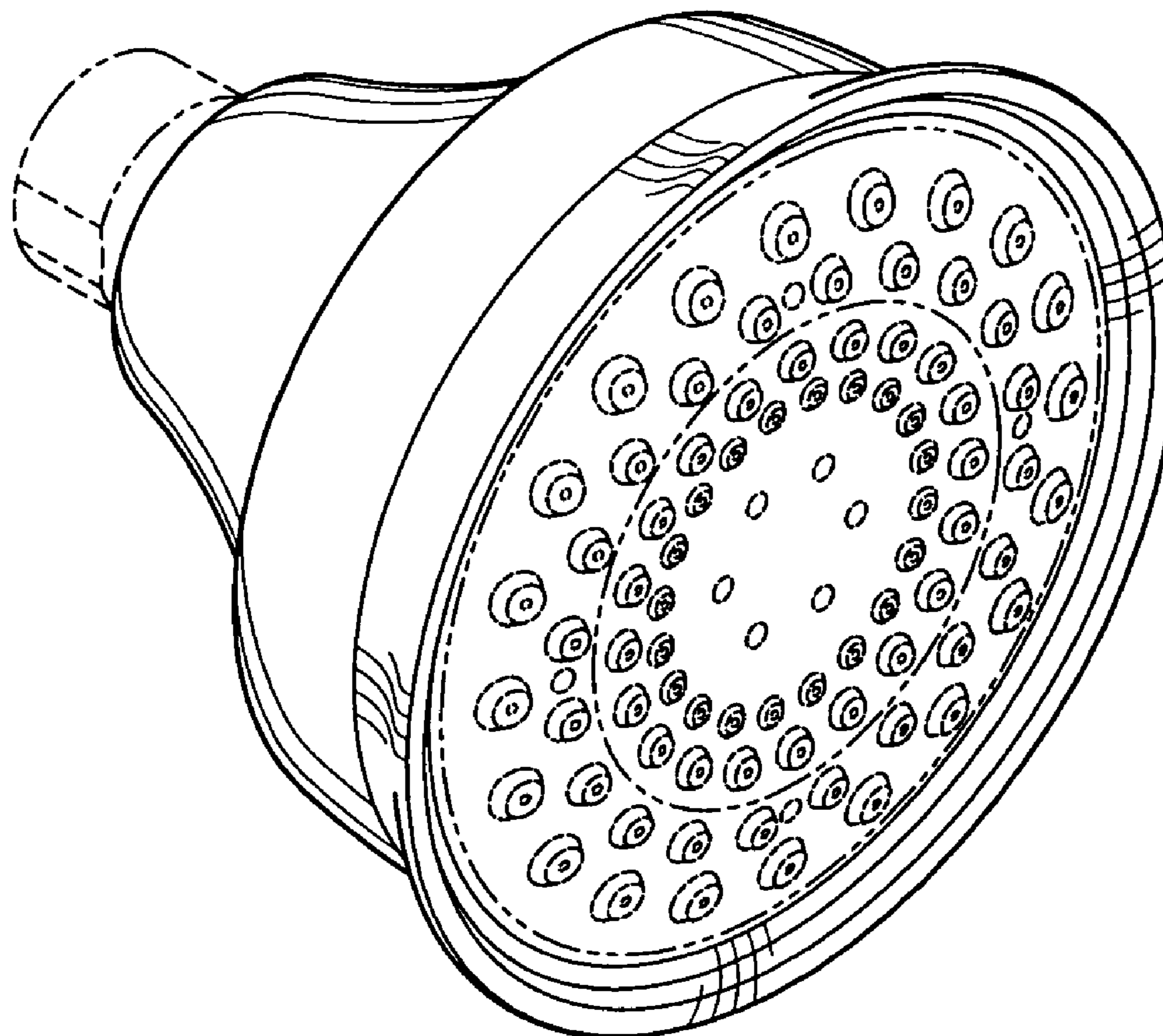
D487,301 S * 3/2004 Haug et al. D23/229

D507,037 S * 7/2005 Wu D23/229

D510,409 S * 10/2005 Xiang et al. D23/229

D531,263 S * 10/2006 Tse D23/213

1 Claim, 3 Drawing Sheets



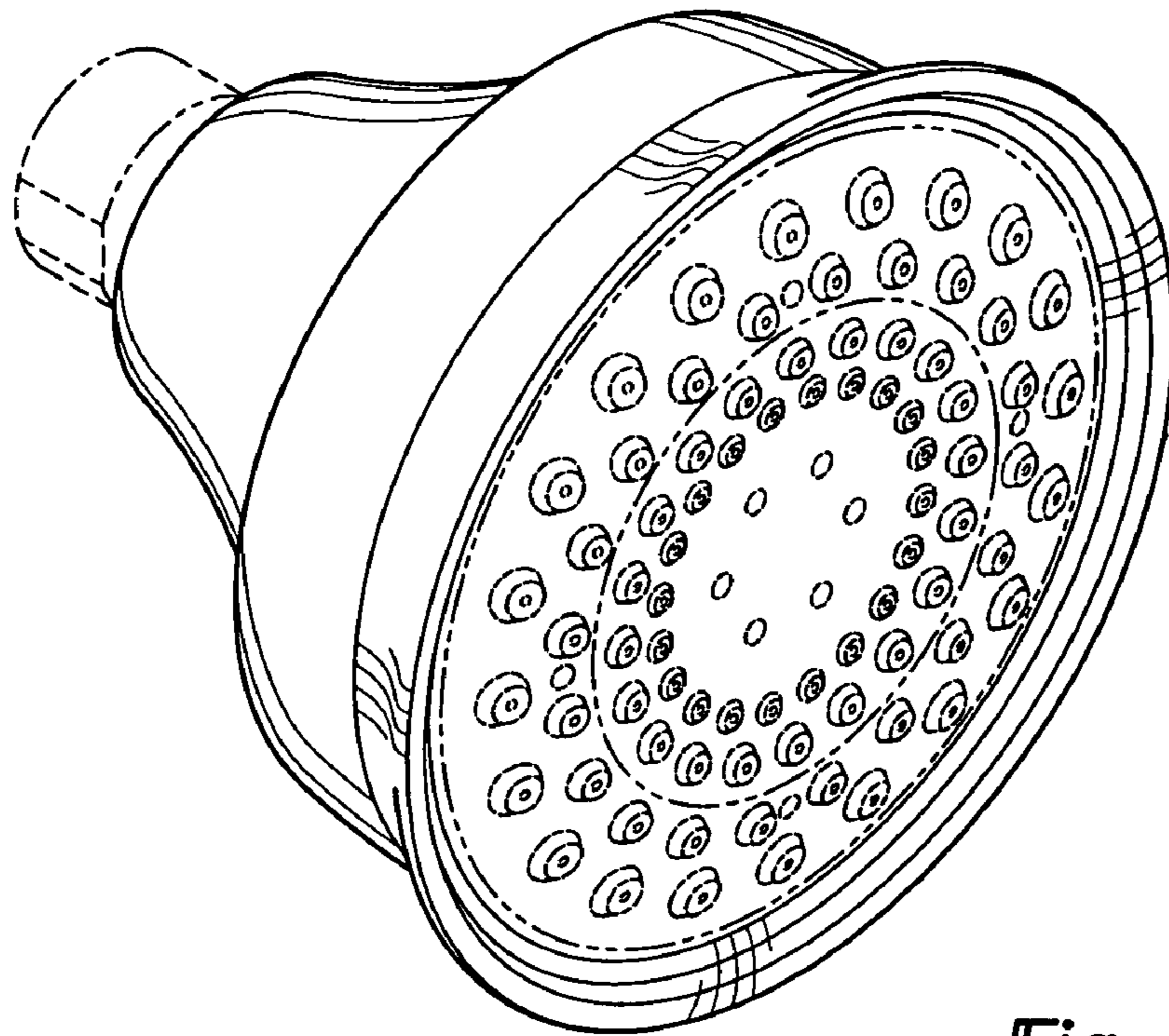


Fig-1

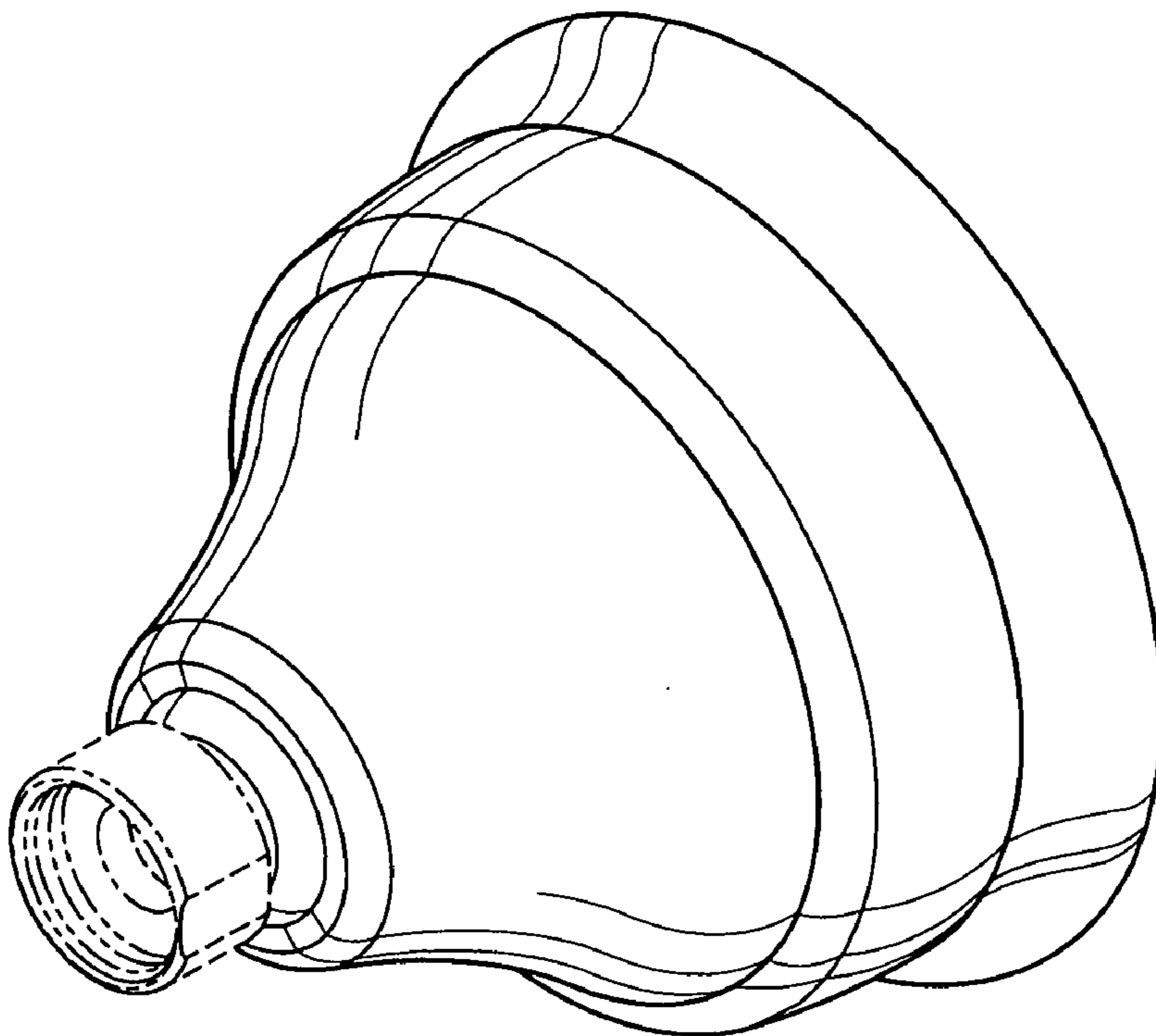


Fig-2

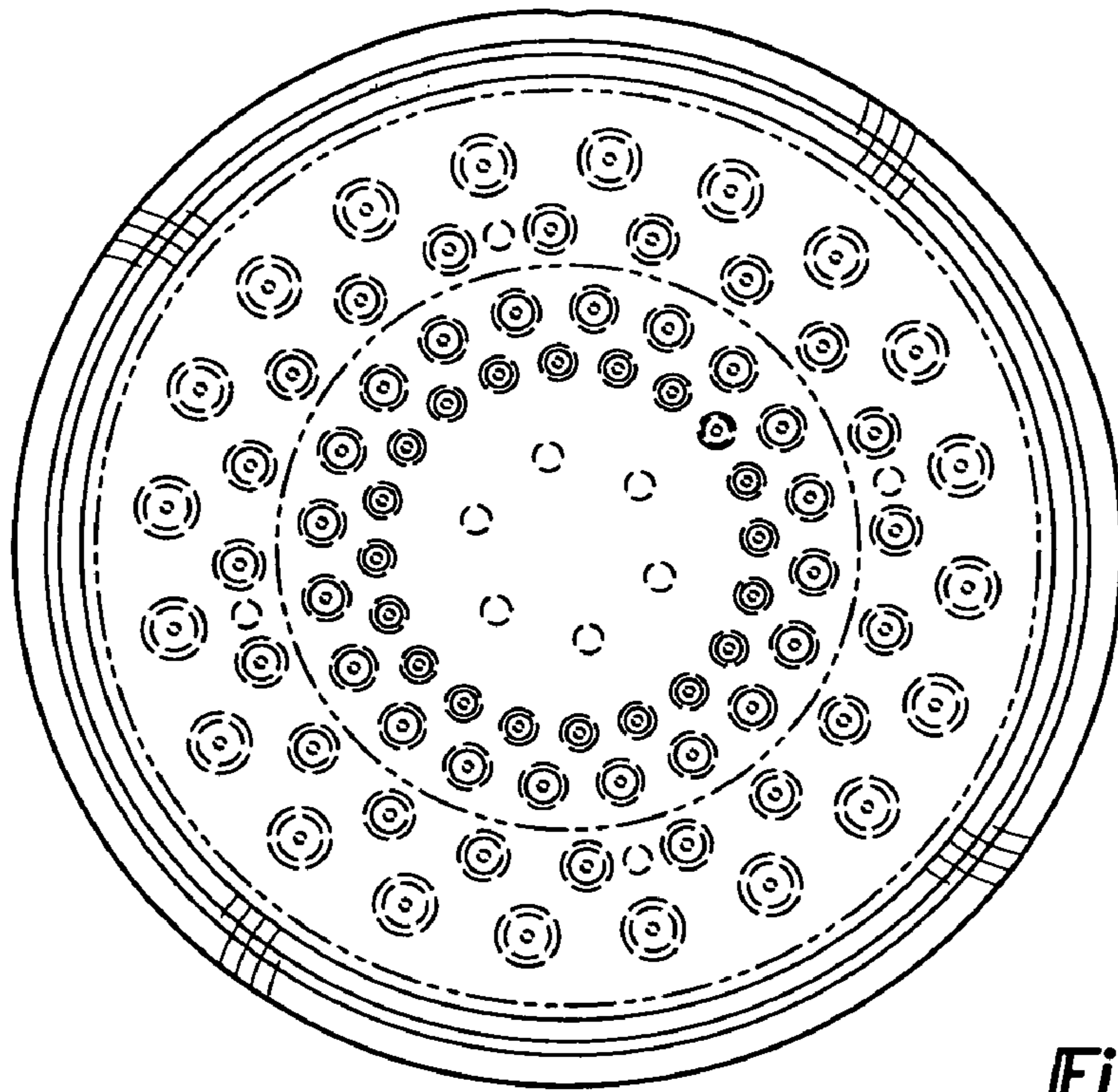


Fig-3

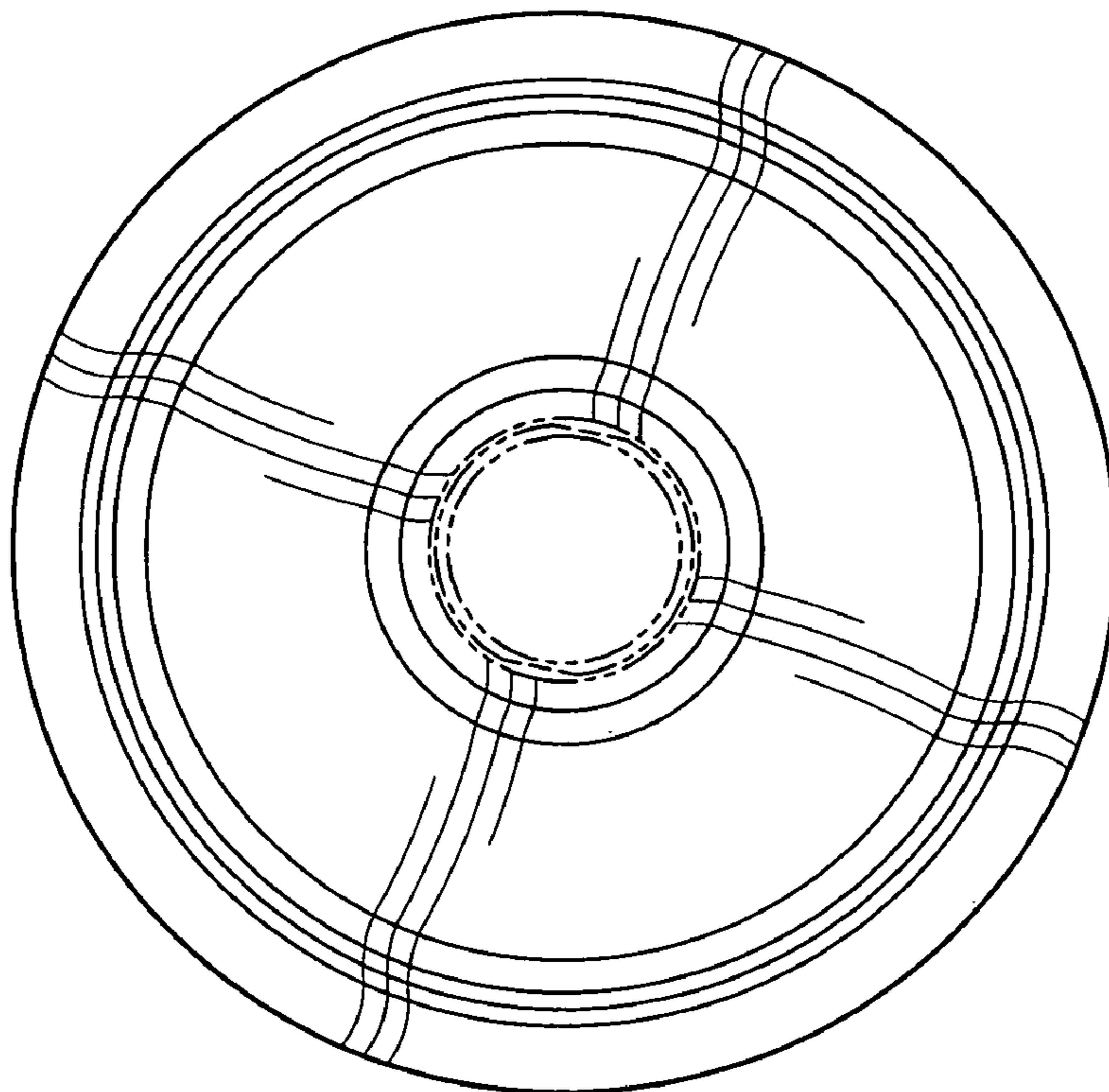


Fig-4

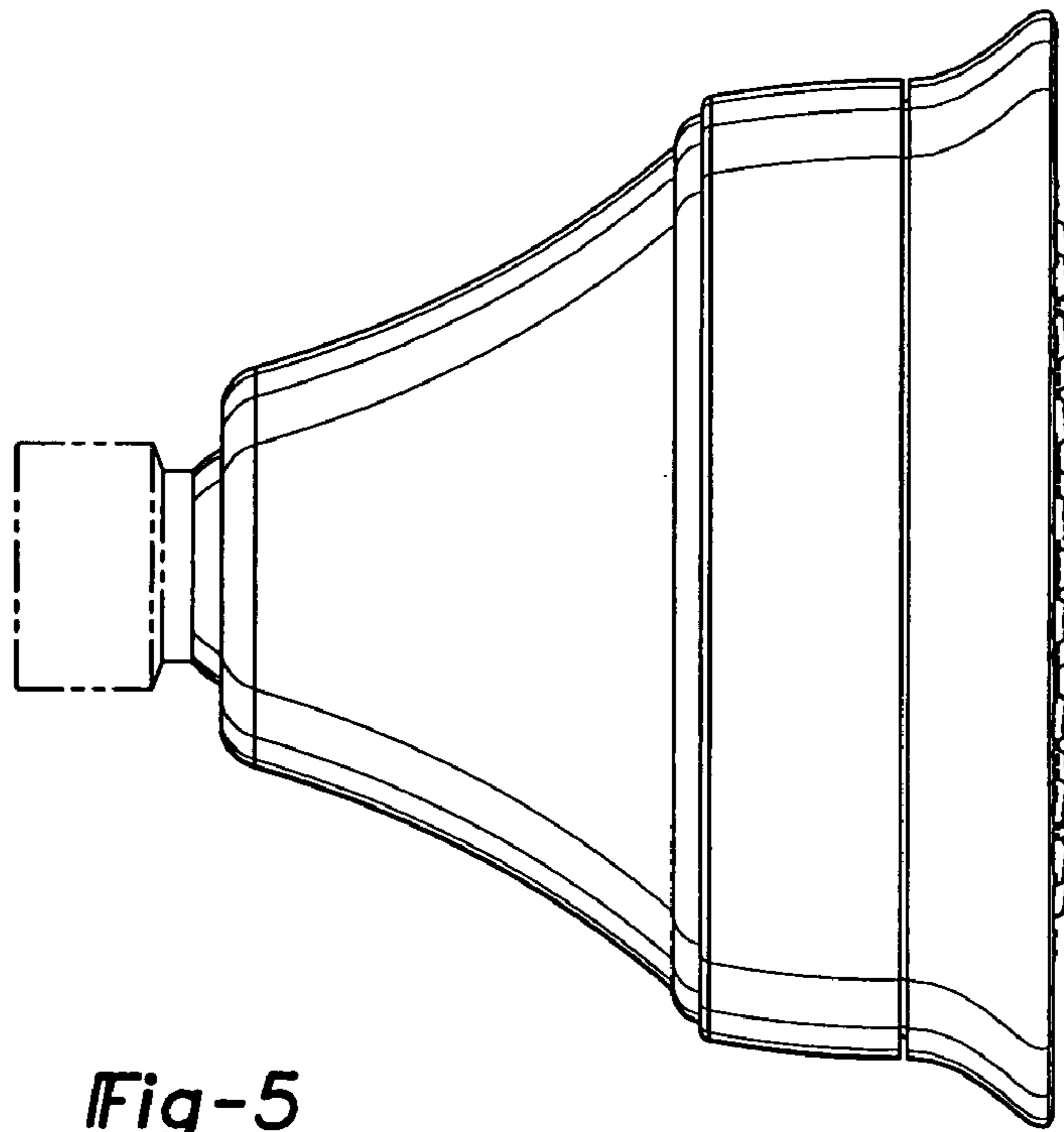


Fig-5

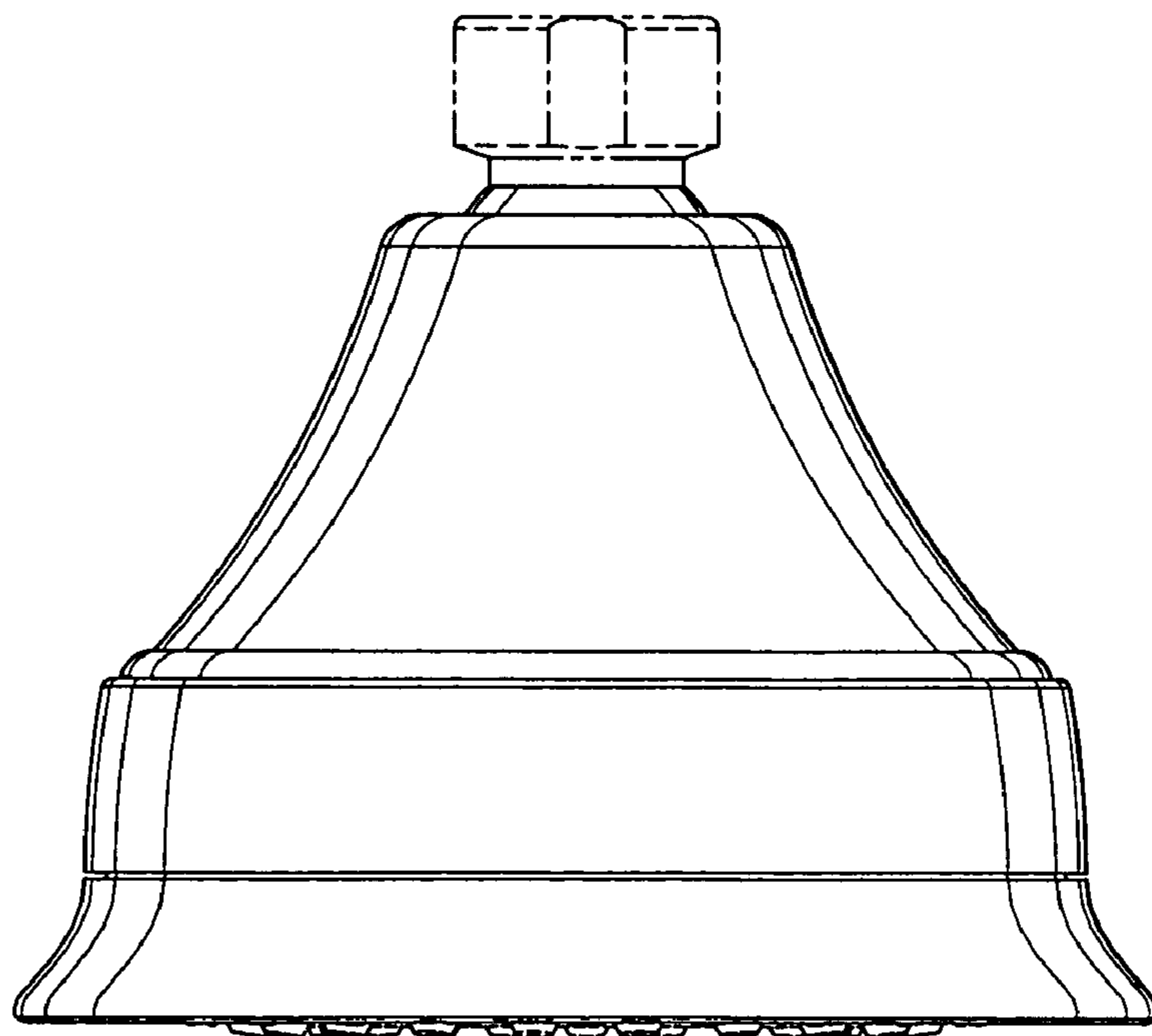


Fig-6