



US00D556294S

(12) **United States Design Patent**
Wrobleski et al.

(10) **Patent No.: US D556,294 S**

(45) **Date of Patent: ** Nov. 27, 2007**

(54) **SHOWERHEAD**

D510,610 S * 10/2005 Bailey et al. D23/223
D527,072 S * 8/2006 Wu D23/223

(75) Inventors: **Dennis John Wrobleski**, Chicago, IL
(US); **Dominic J. Daunter**, Howell, MI
(US); **Michael Miller**, Portage, MI
(US); **Julian C. Giggs**, Hillsdale, MI
(US)

* cited by examiner

Primary Examiner—Robin V. Webster
(74) *Attorney, Agent, or Firm*—Edgar A. Zarins; Lloyd D.
Doigan

(73) Assignee: **Alsons Corporation**, Hillsdale, MI
(US)

(57) **CLAIM**

The ornamental design for a showerhead, as shown and described.

(**) Term: **14 Years**

(21) Appl. No.: **29/265,764**

DESCRIPTION

(22) Filed: **Sep. 8, 2006**

FIG. 1 is a perspective view of a showerhead showing our new design;

(51) **LOC (8) Cl.** **23-01**

FIG. 2 is a rear perspective view thereof;

(52) **U.S. Cl.** **D23/223**

FIG. 3 is a front elevational view thereof;

(58) **Field of Classification Search** D23/213,
D23/223, 226; 239/394, 282–283; 4/605,
4/615

FIG. 4 is a rear view thereof;

See application file for complete search history.

FIG. 5 is a left side view thereof, the opposite side being a mirror image of the side shown;

(56) **References Cited**

FIG. 6 is a top plan view thereof; and,

U.S. PATENT DOCUMENTS

FIG. 7 is a bottom plan view thereof.

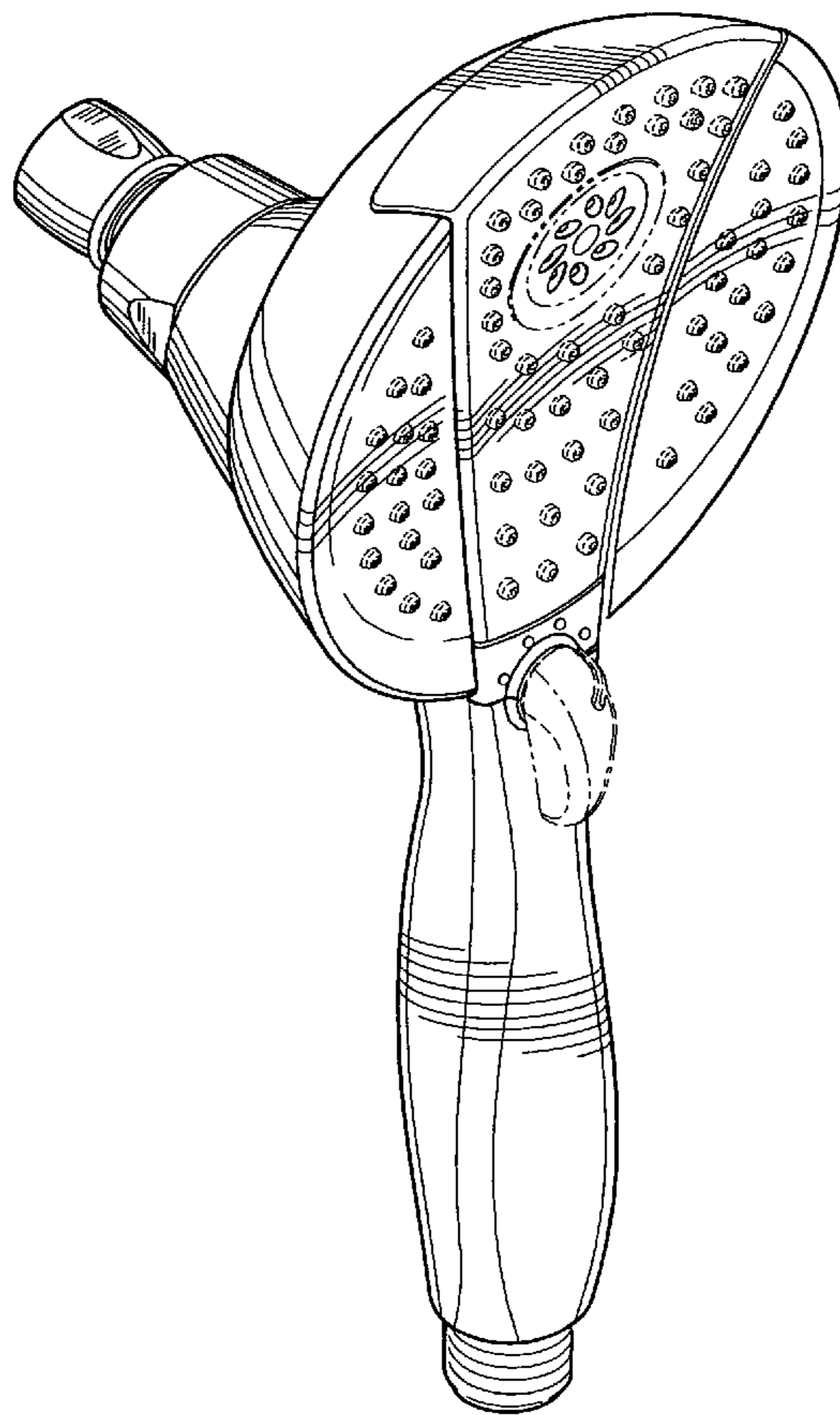
1,840,812 A * 1/1932 Hardy 601/155

The broken line showing included for the purpose of illustrating and forms no part of the claimed design.

6,618,872 B1 * 9/2003 Fan 4/615

D509,280 S * 9/2005 Bailey et al. D23/223

1 Claim, 6 Drawing Sheets



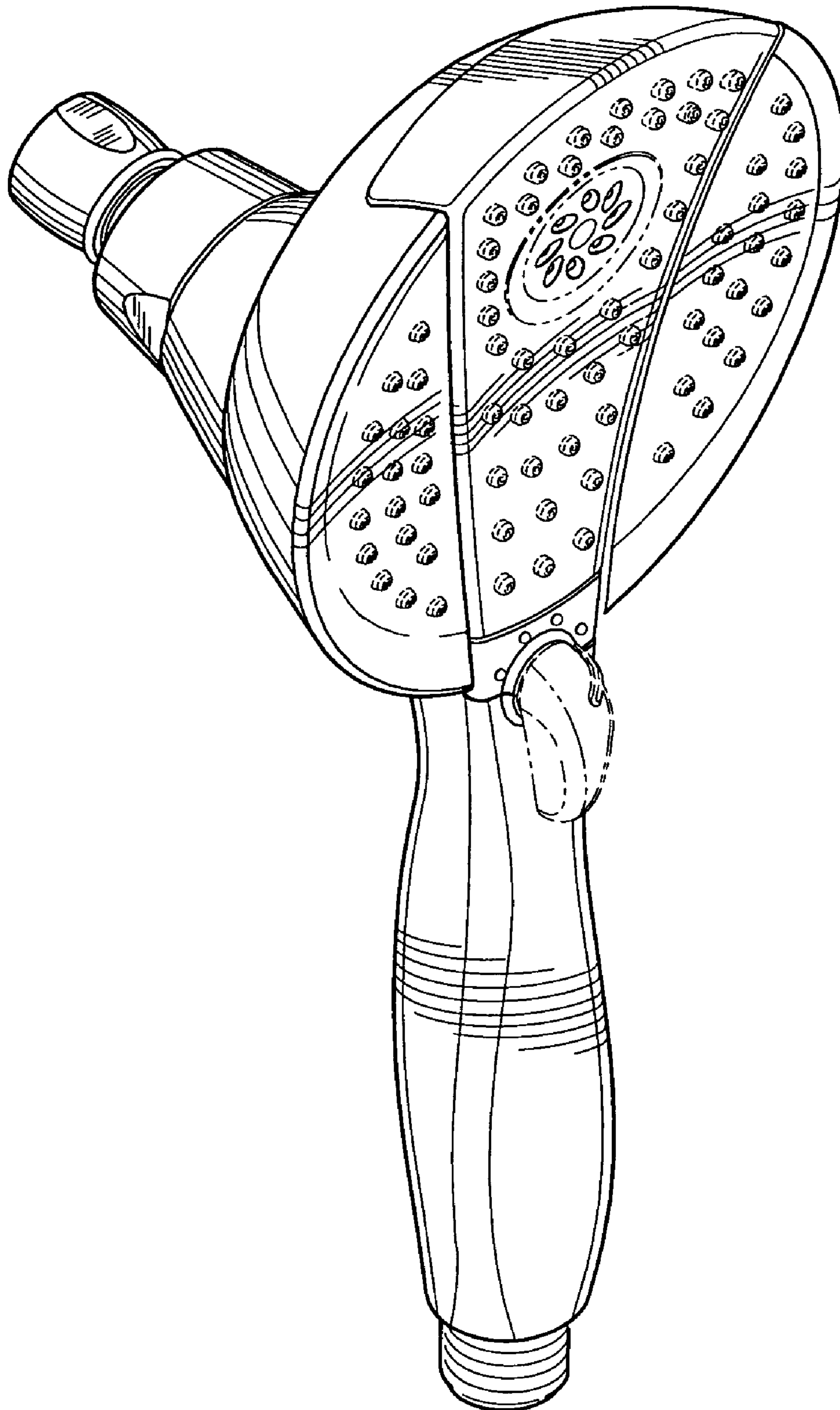


Fig-1

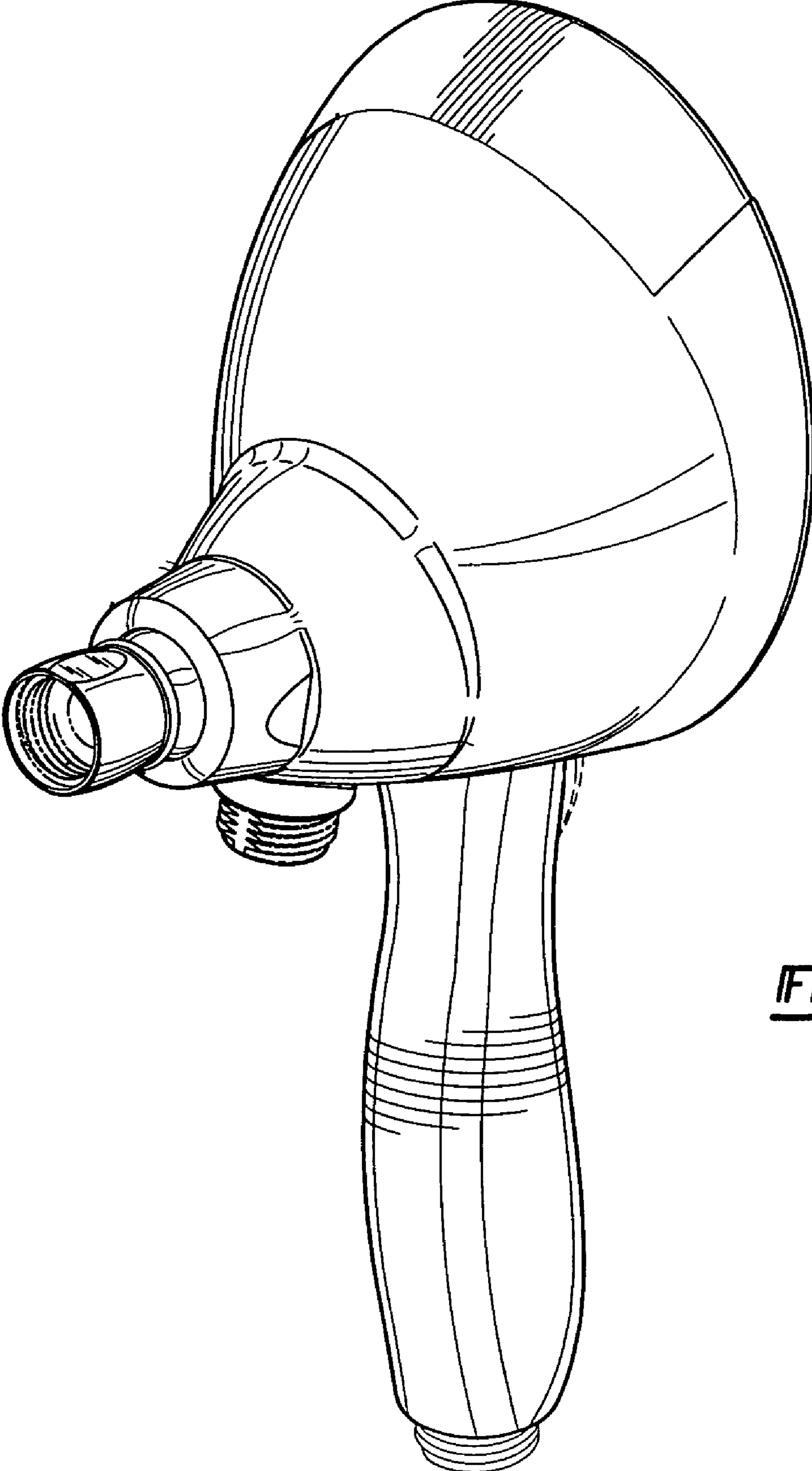


Fig-2

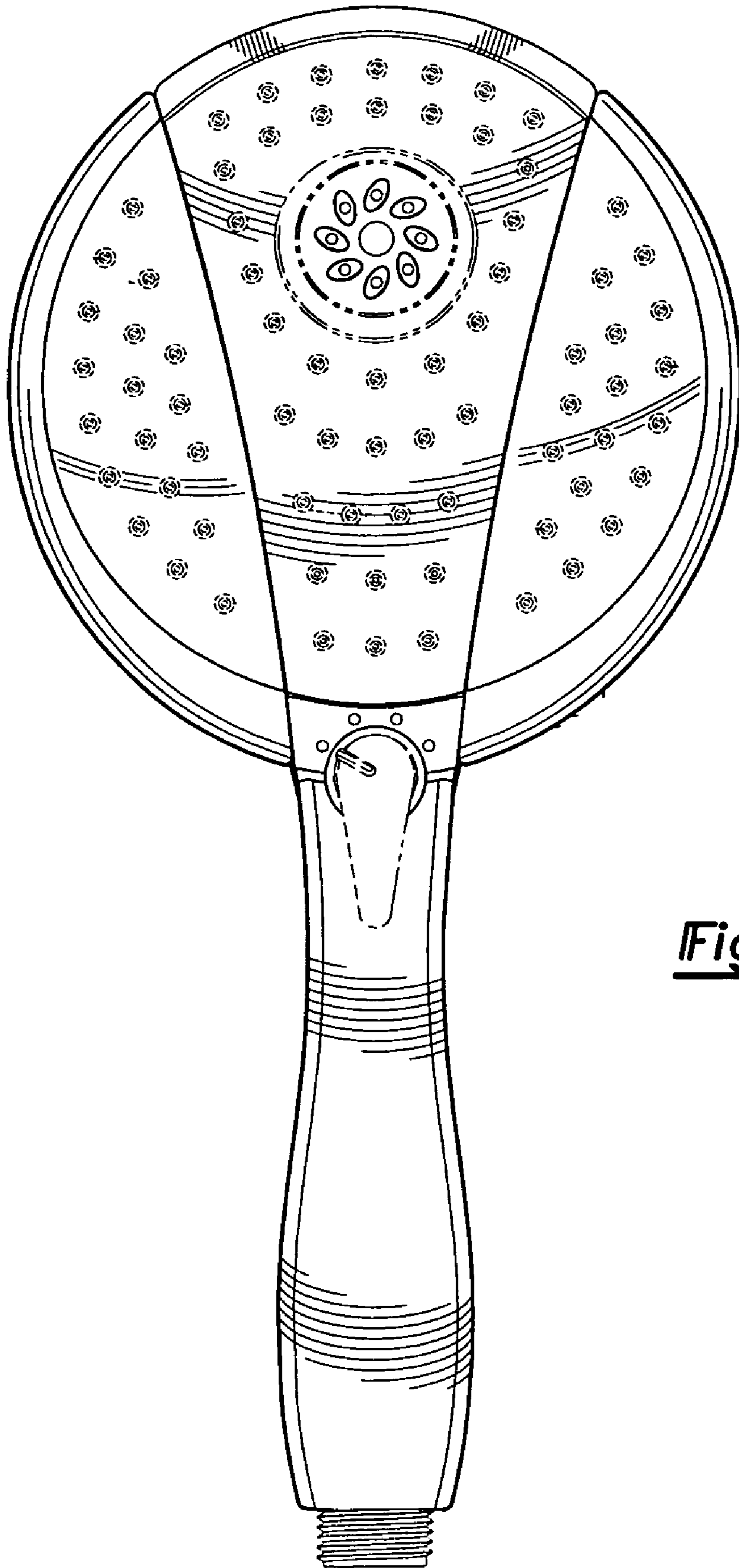


Fig-3

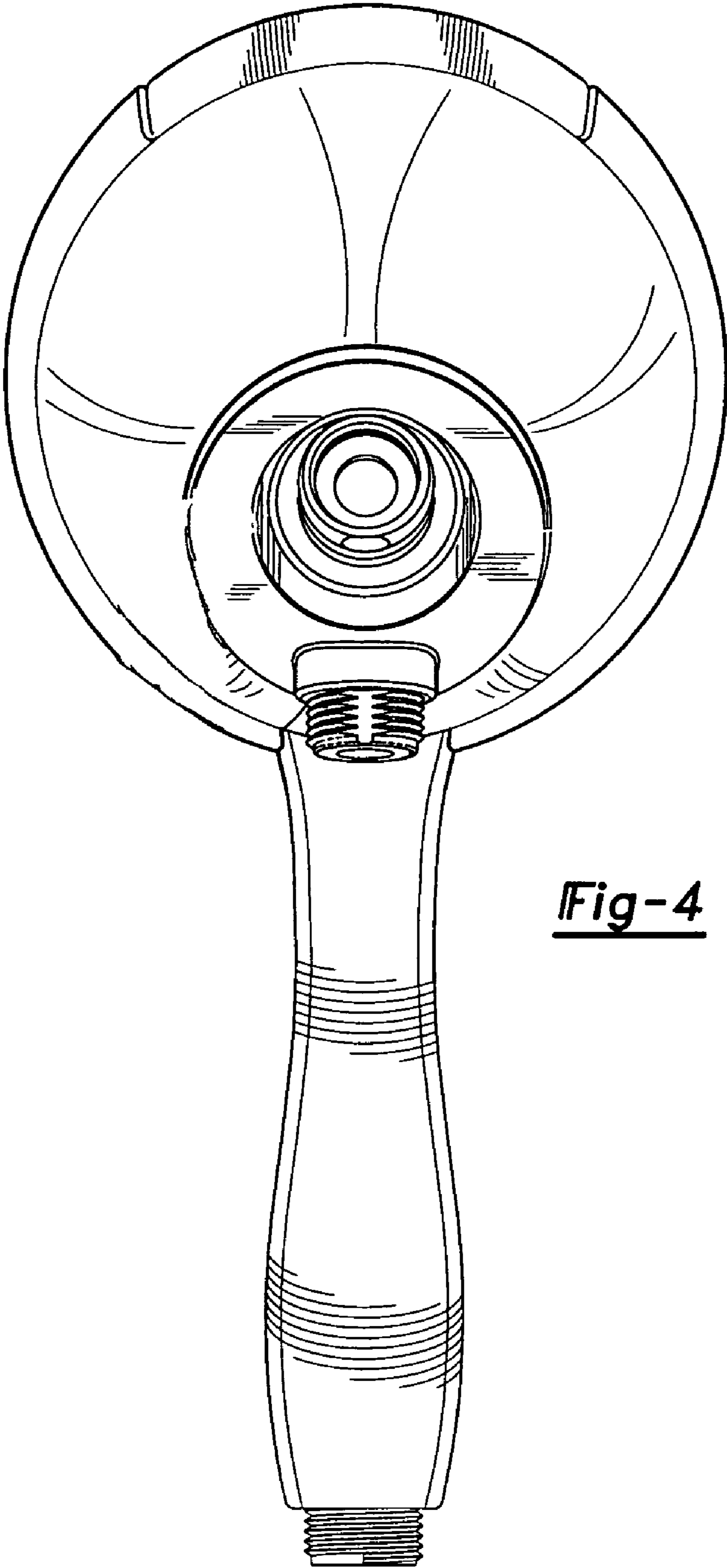


Fig-4

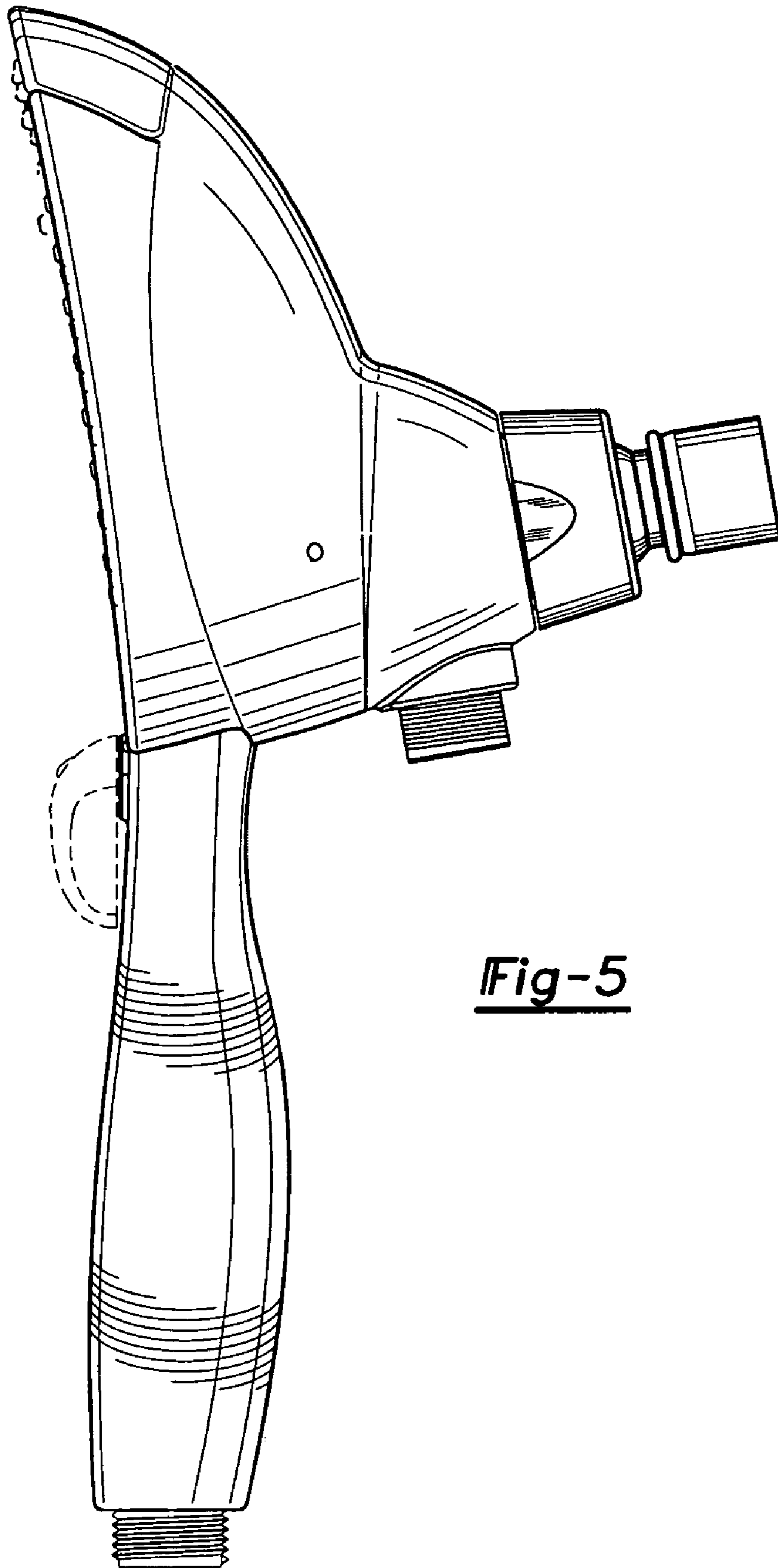


Fig-5

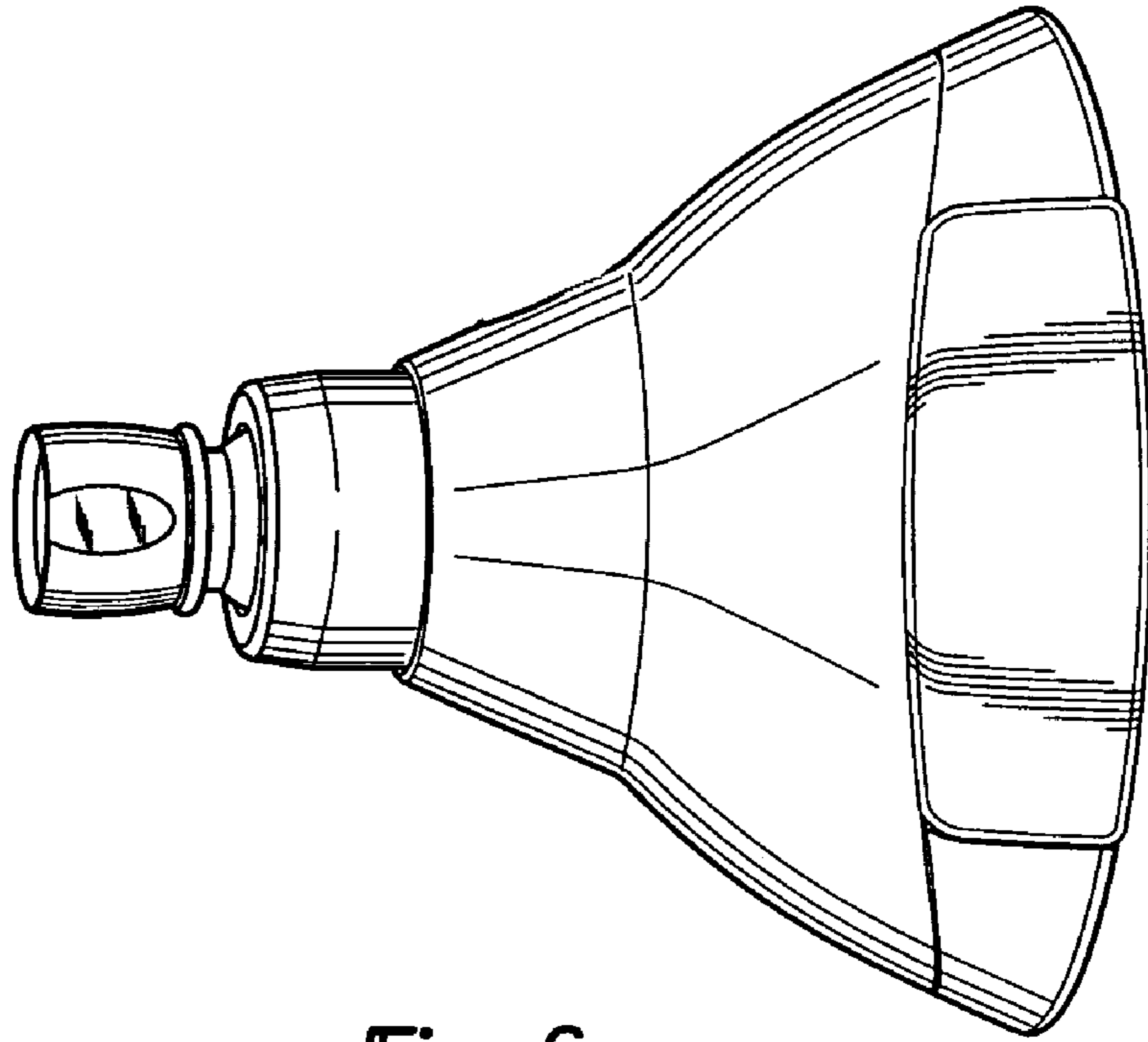


Fig-6

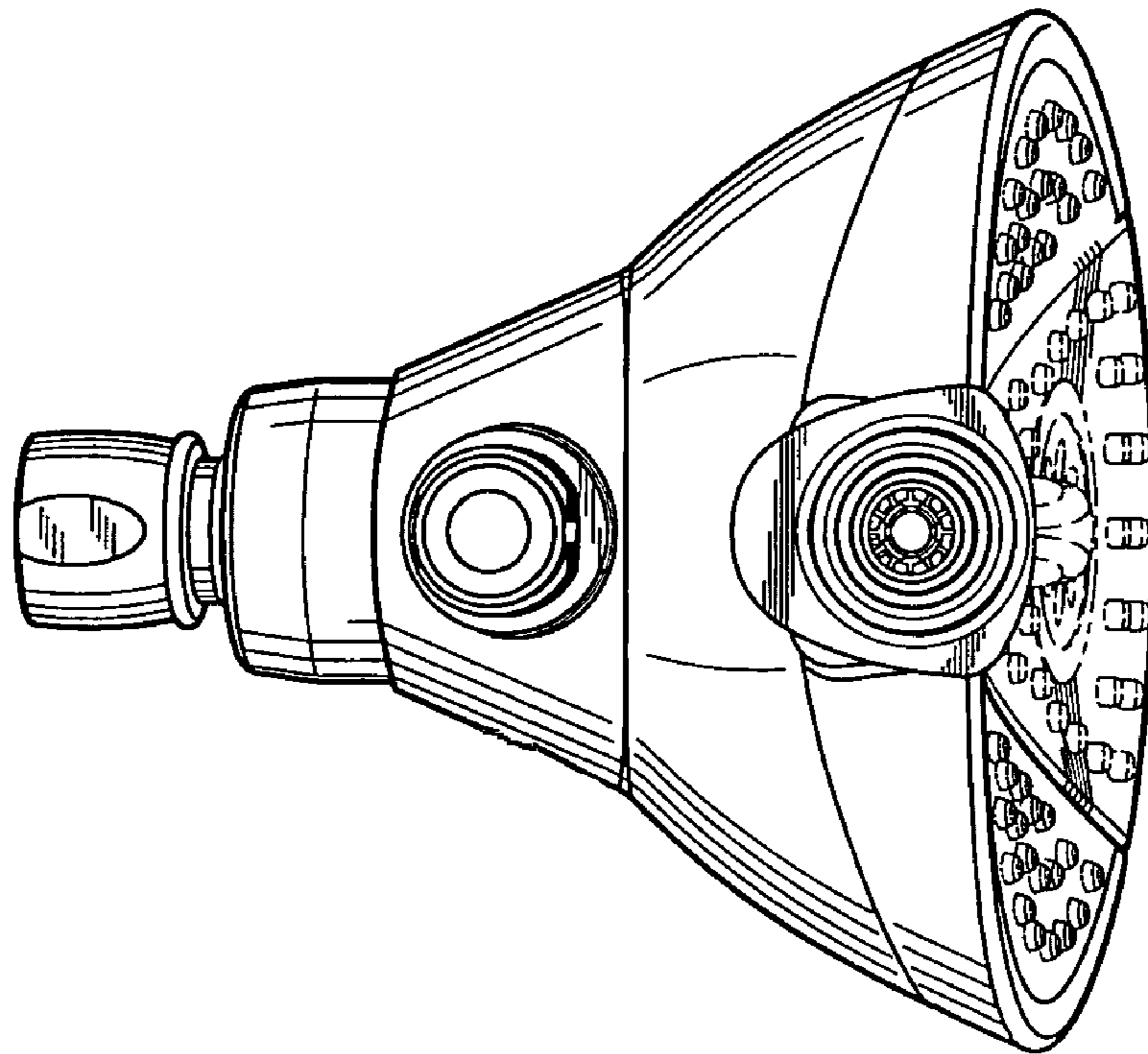


Fig-7