



US00D556289S

(12) **United States Design Patent**
Yu

(10) **Patent No.:** **US D556,289 S**

(45) **Date of Patent:** **** Nov. 27, 2007**

(54) **RAIL ARRANGEMENT FOR FIREARM**

D513,299 S * 12/2005 Ding D22/110
D513,633 S * 1/2006 Ding D22/110

(76) Inventor: **Herman Yu**, P.O. Box 6566, Alhambra,
CA (US) 91802

* cited by examiner

(**) Term: **14 Years**

Primary Examiner—Ian Simmons
Assistant Examiner—Melanie Levy

(21) Appl. No.: **29/272,323**

(74) *Attorney, Agent, or Firm*—Raymond Y. Chan; David
and Raymond Patent Group

(22) Filed: **Feb. 5, 2007**

(57) **CLAIM**

(51) **LOC (8) Cl.** **22-01**

(52) **U.S. Cl.** **D22/108**

(58) **Field of Classification Search** D22/100,
D22/108, 109, 110, 199; 42/11, 113, 116,
42/119, 124, 125, 127, 90, 145, 128, 72, 106,
42/114, 85, 75.02, 71.01; 248/205.1, 201
See application file for complete search history.

The ornamental design for a rail arrangement for firearm, as
shown and described.

DESCRIPTION

(56) **References Cited**

U.S. PATENT DOCUMENTS

6,508,027	B1 *	1/2003	Kim	42/124
6,606,813	B1 *	8/2003	Squire et al.	42/90
6,618,976	B1 *	9/2003	Swan	42/114
6,779,288	B1 *	8/2004	Kim	42/72
6,895,708	B2 *	5/2005	Kim et al.	42/72
D510,120	S *	9/2005	Ding	D22/108
D513,298	S *	12/2005	Ding	D22/110

FIG. 1 is a perspective view of rail arrangement for firearm
showing my new design.

FIG. 2 is a front view thereof.

FIG. 3 is a rear view thereof.

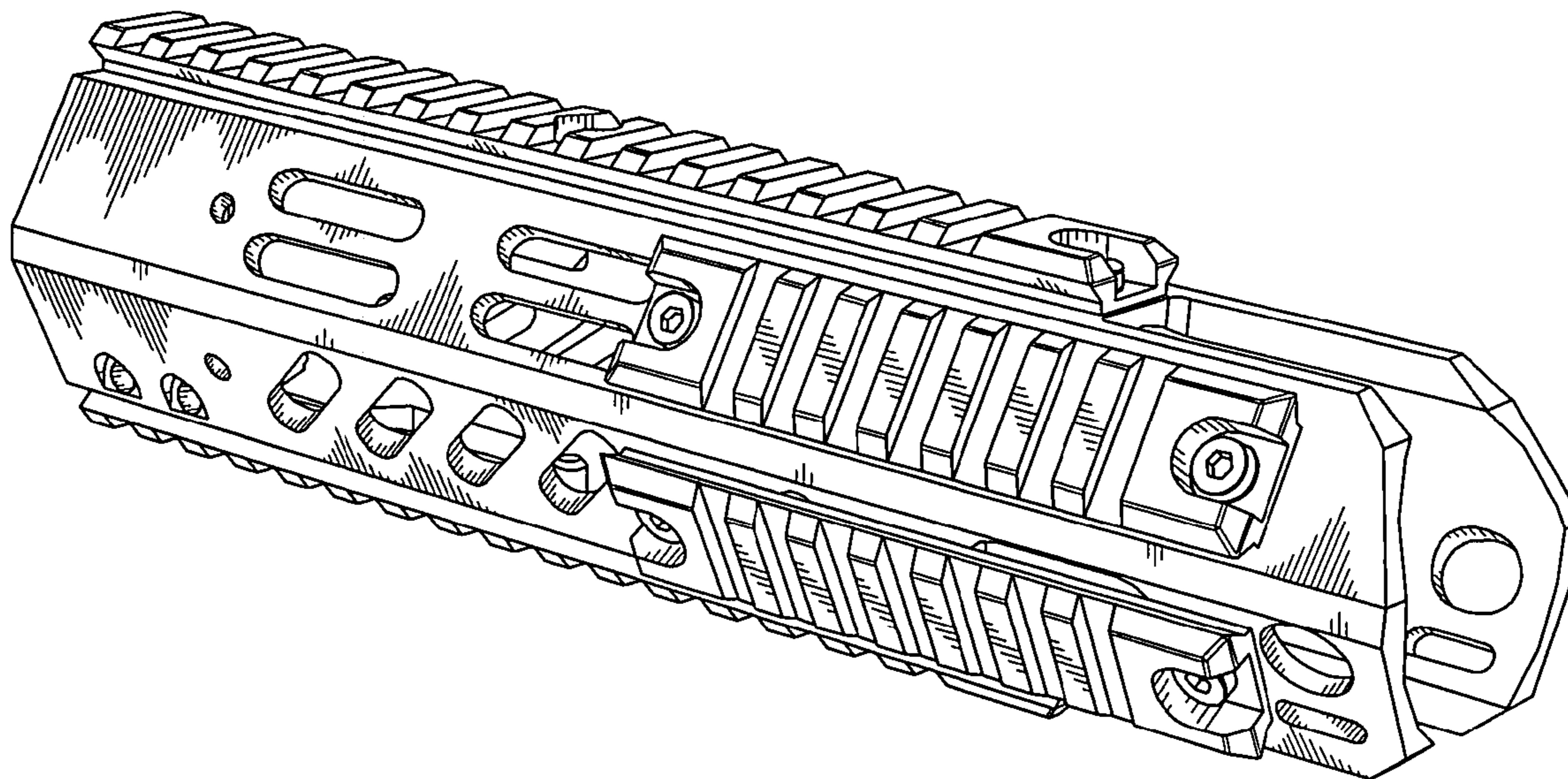
FIG. 4 is a right end view thereof.

FIG. 5 is a left end view thereof.

FIG. 6 is a top view thereof; and,

FIG. 7 is a bottom view thereof.

1 Claim, 7 Drawing Sheets



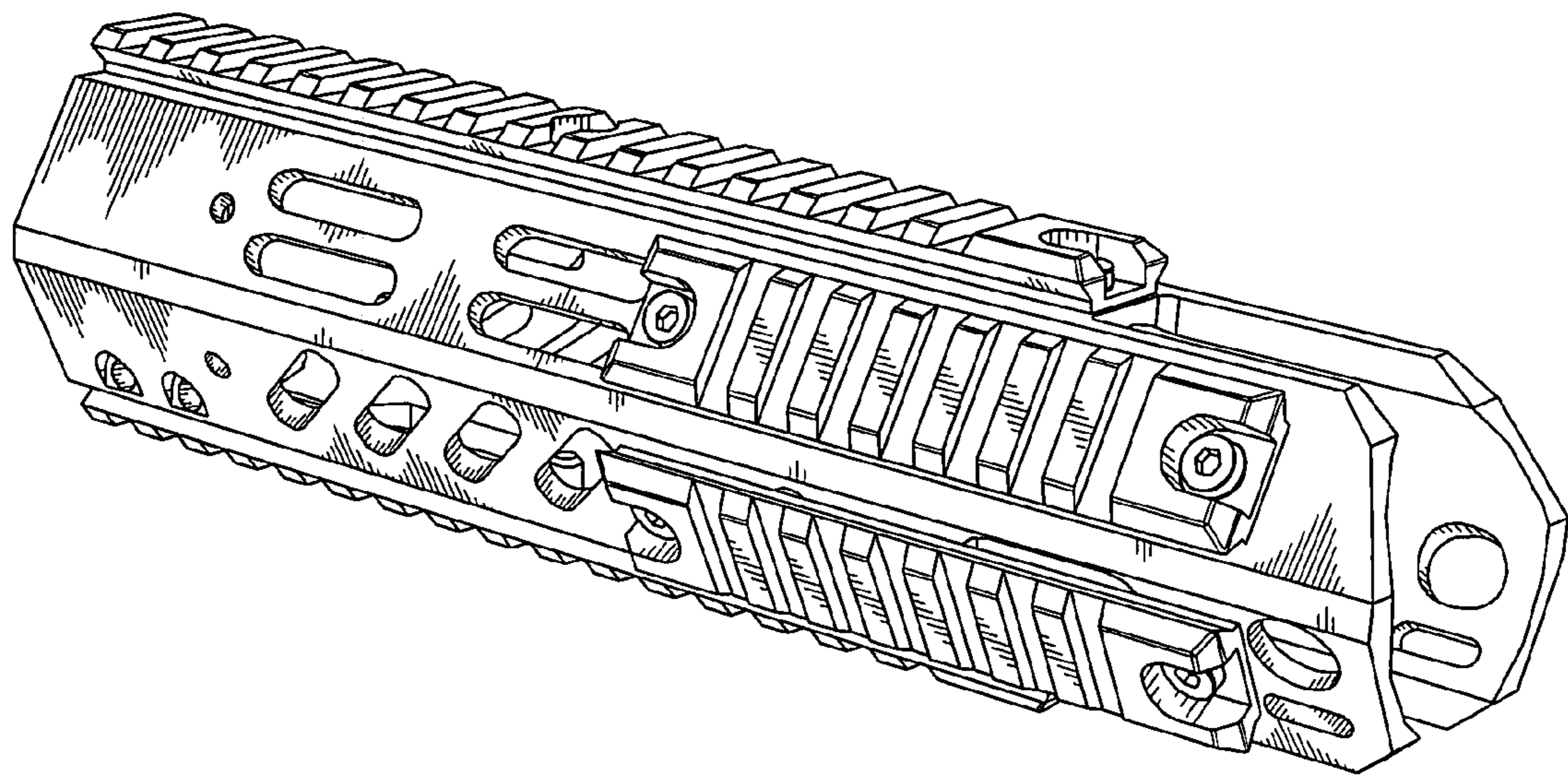


FIG.1

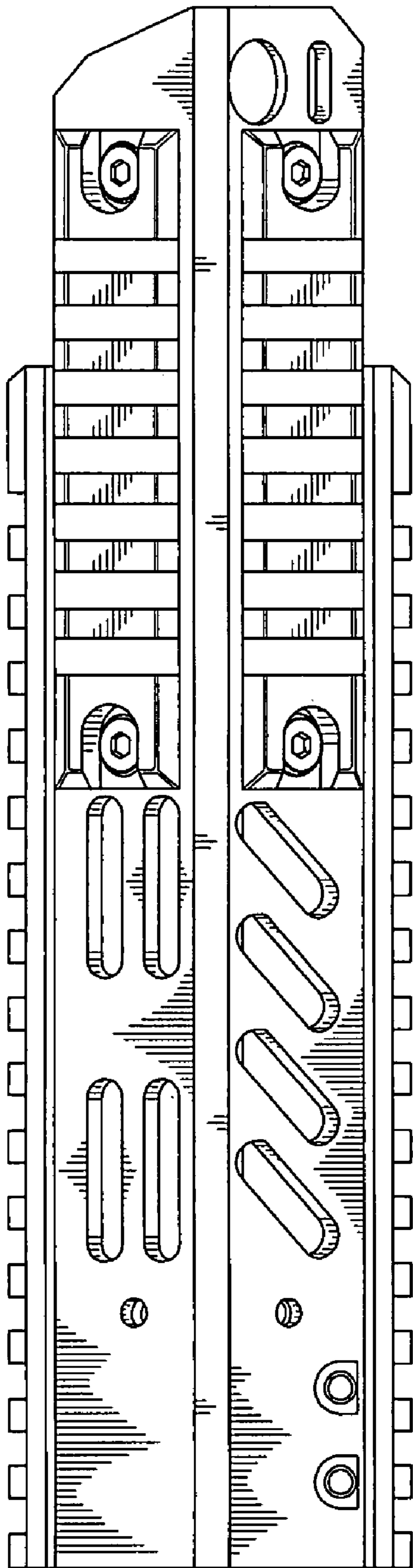


FIG.2

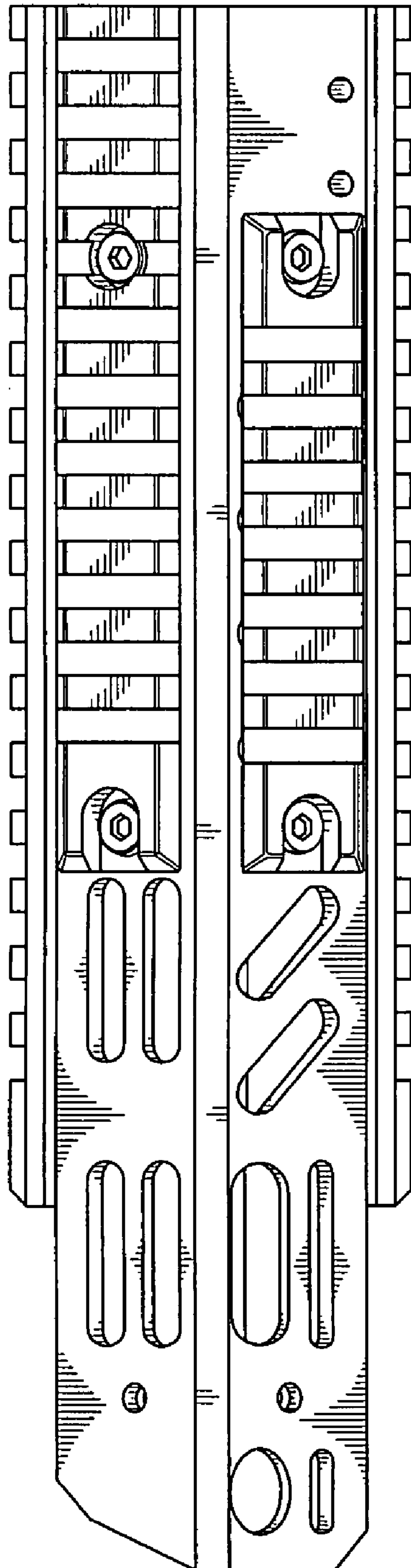


FIG. 3

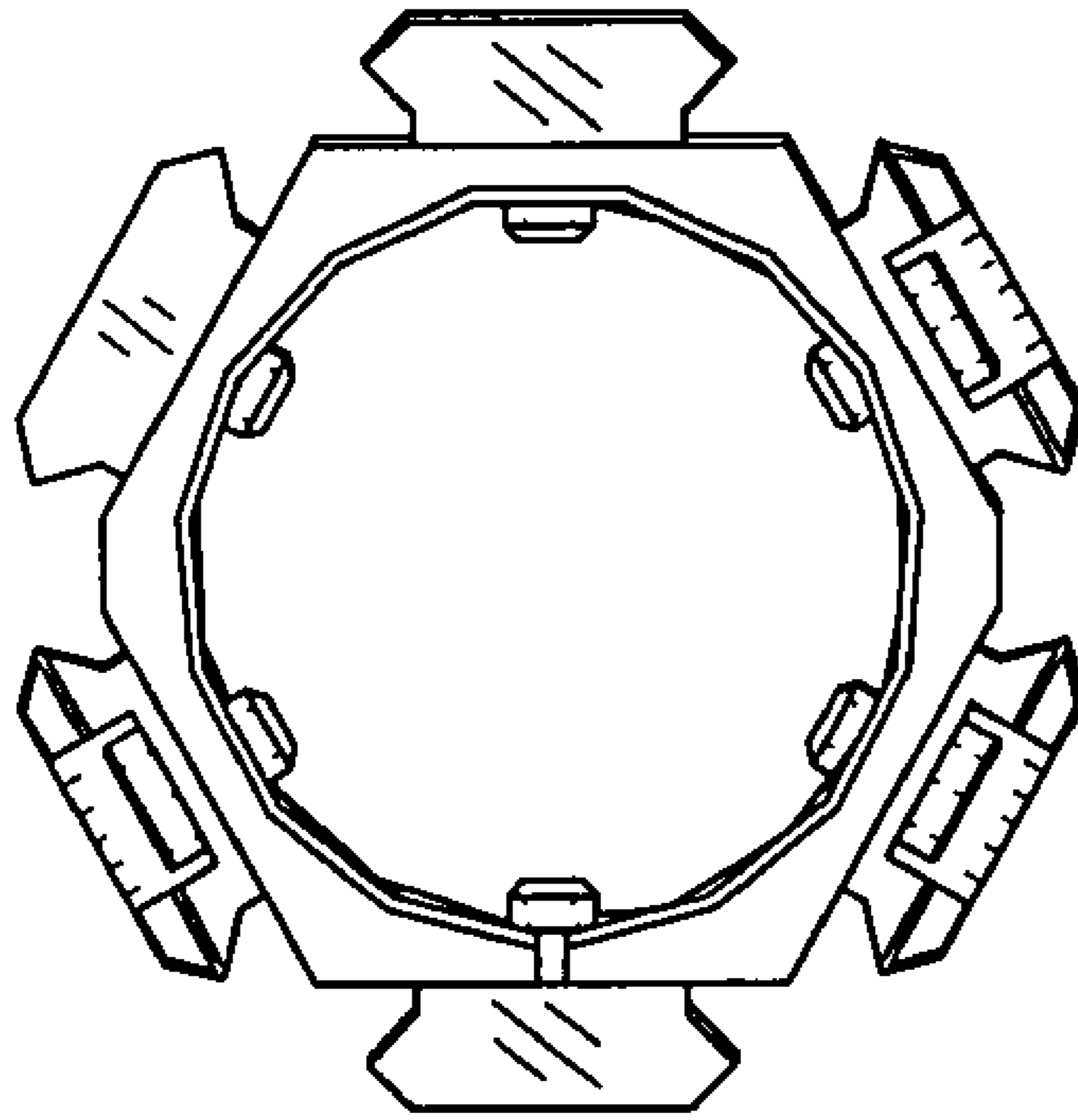


FIG.4

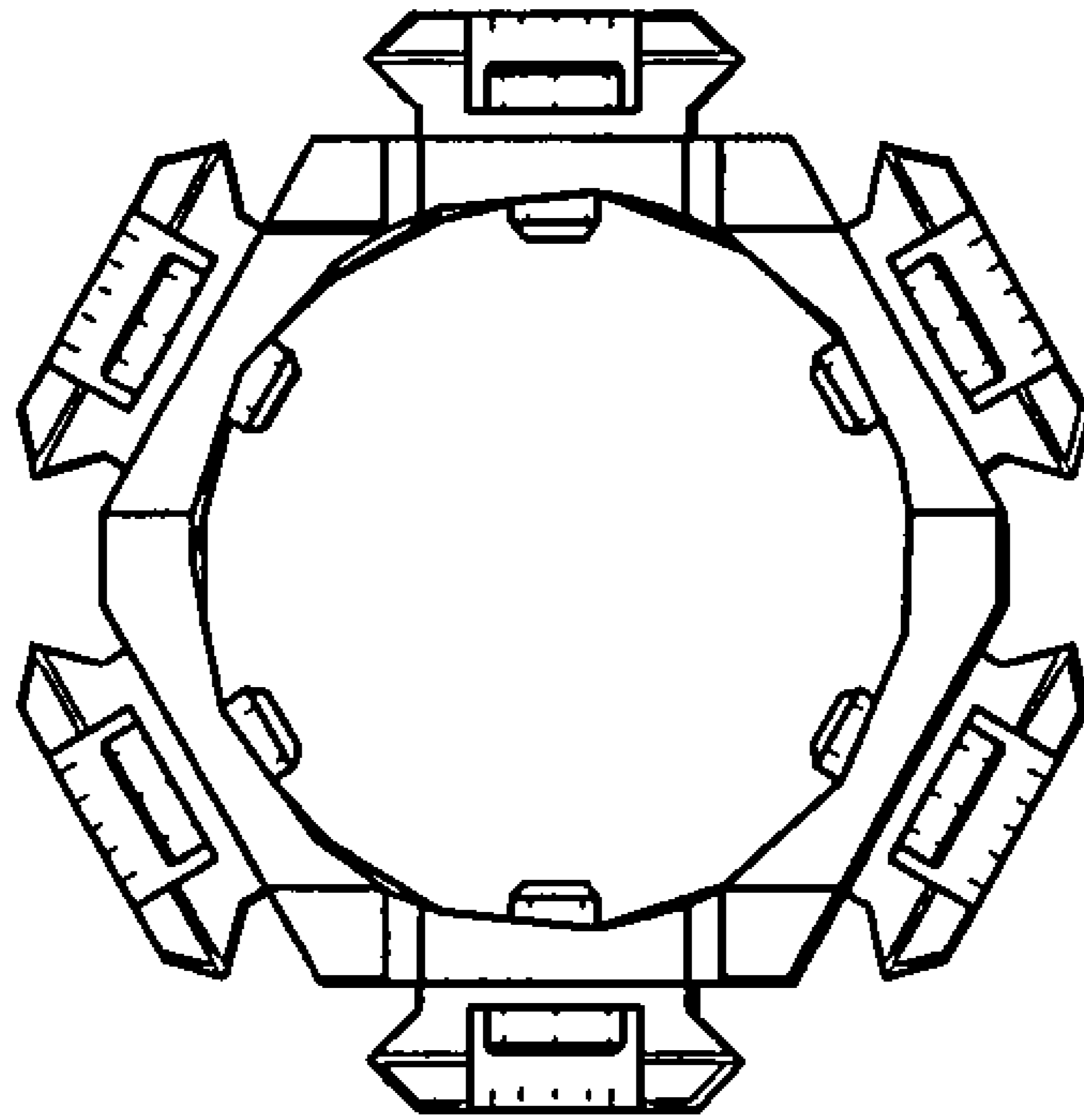


FIG.5

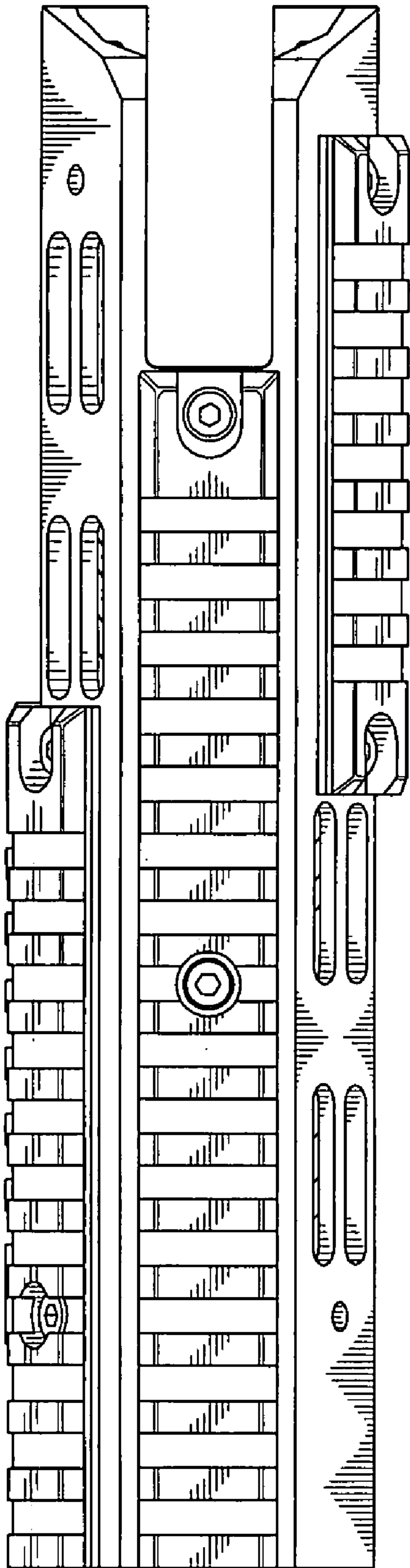


FIG.6

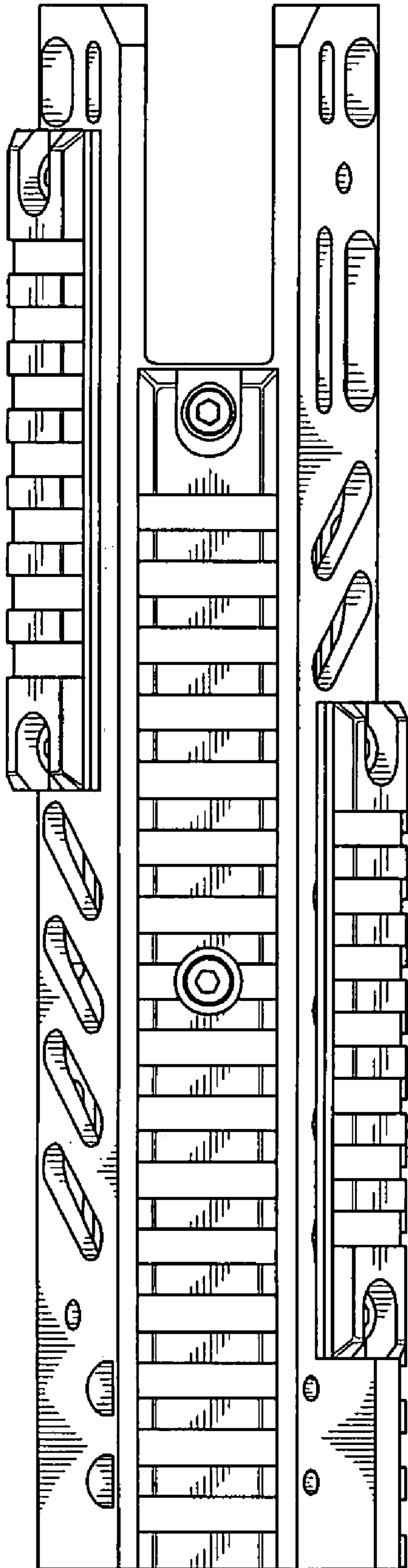


FIG. 7