



US00D556288S

(12) **United States Design Patent**  
**Robinson et al.**

(10) **Patent No.:** **US D556,288 S**

(45) **Date of Patent:** **\*\* Nov. 27, 2007**

(54) **INFLATABLE WATER SLIDE AND POOL**

D540,413 S \* 4/2007 McKee et al. .... D21/818

(75) Inventors: **Dean F. Robinson**, Dighton, MA (US);  
**Paul M. Brown**, Attleboro, MA (US)

\* cited by examiner

*Primary Examiner*—Mitchell Siegel

(73) Assignee: **Aqua-Leisure Industries, Inc.**, Avon,  
MA (US)

(74) *Attorney, Agent, or Firm*—Lowrie, Lando & Anastasi,  
LLP

(\*\*) Term: **14 Years**

(57) **CLAIM**

(21) Appl. No.: **29/264,872**

The ornamental design for an inflatable water slide and pool,  
as shown and described.

(22) Filed: **Aug. 21, 2006**

**DESCRIPTION**

(51) **LOC (8) Cl.** ..... **21-03**

FIG. 1 is a perspective view of the inflatable water slide and  
pool according to my new design, as seen from the right  
front corner thereof.

(52) **U.S. Cl.** ..... **D21/819; D21/815; D21/835**

FIG. 2 is a perspective view of the inflatable water slide and  
pool, as seen from the left front corner.

(58) **Field of Classification Search** ..... D12/815,  
D12/818-822, 835; 472/116-117

See application file for complete search history.

FIG. 3 is a front elevational view thereof.

(56) **References Cited**

**U.S. PATENT DOCUMENTS**

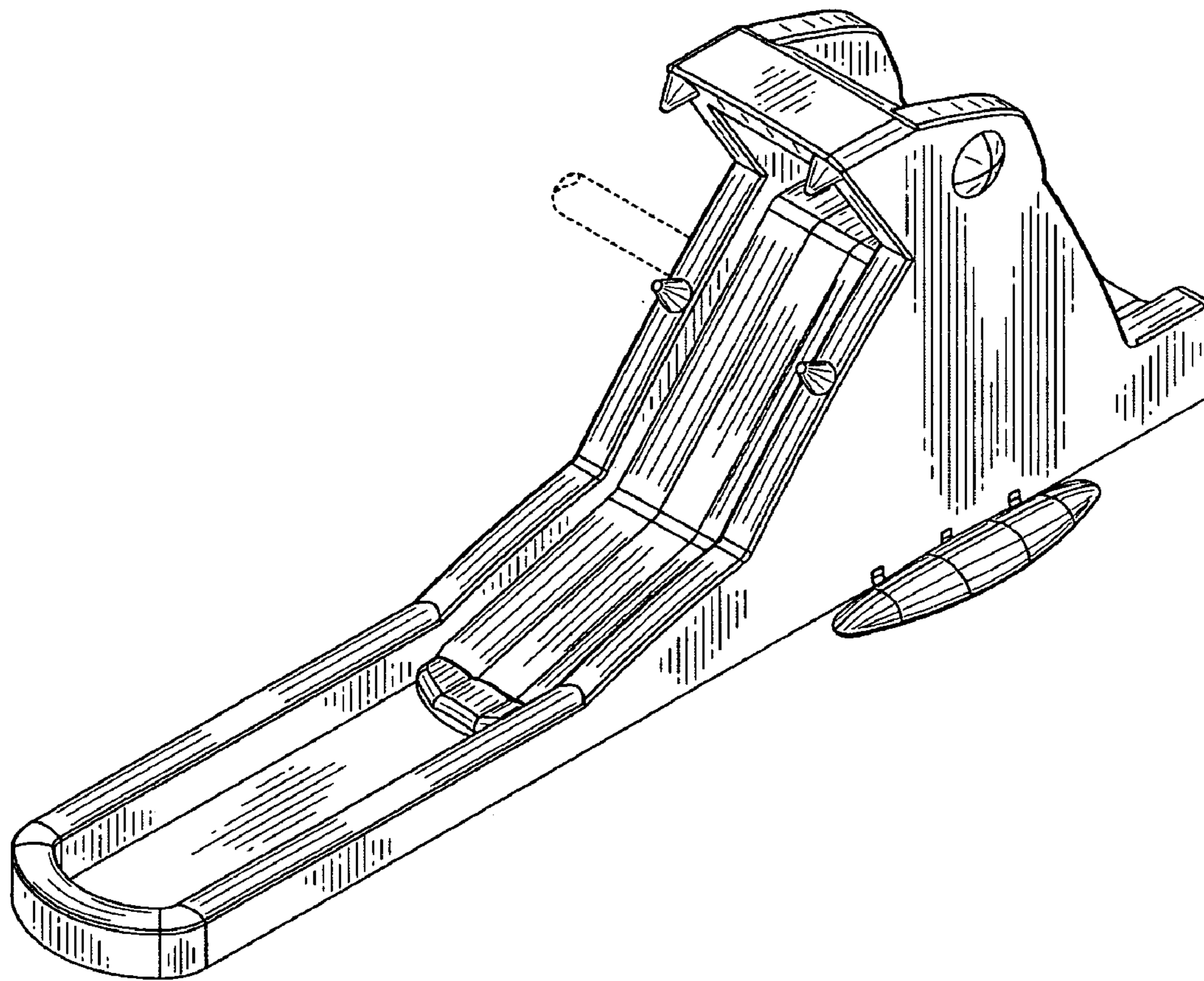
|              |         |              |       |         |
|--------------|---------|--------------|-------|---------|
| D328,326 S * | 7/1992  | Kuan         | ..... | D21/818 |
| D340,965 S * | 11/1993 | Lee          | ..... | D21/818 |
| D440,622 S * | 4/2001  | Gourchounian | ..... | D21/820 |
| D441,416 S * | 5/2001  | Gourchounian | ..... | D21/820 |
| D460,141 S * | 7/2002  | Gourchounian | ..... | D21/820 |
| D522,082 S * | 5/2006  | Peterson     | ..... | D21/818 |

FIG. 4 is a perspective view of the inflatable water slide and  
pool, as seen from the rear; and,

FIG. 5 is a rear elevational view thereof.

The broken line showing of two sleeves for inflation is for  
illustrative purposes only and forms no part of the invention.

**1 Claim, 3 Drawing Sheets**



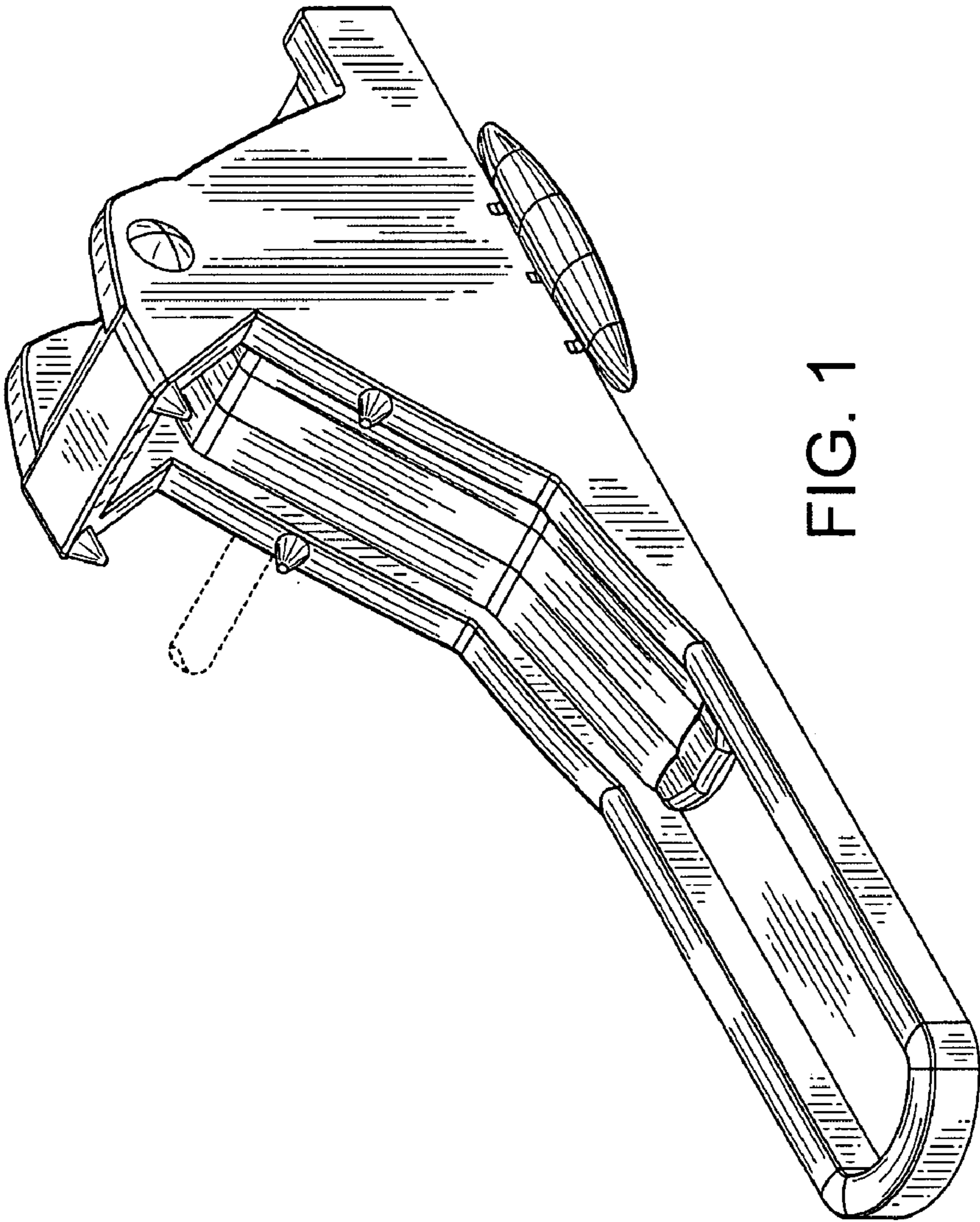


FIG. 1

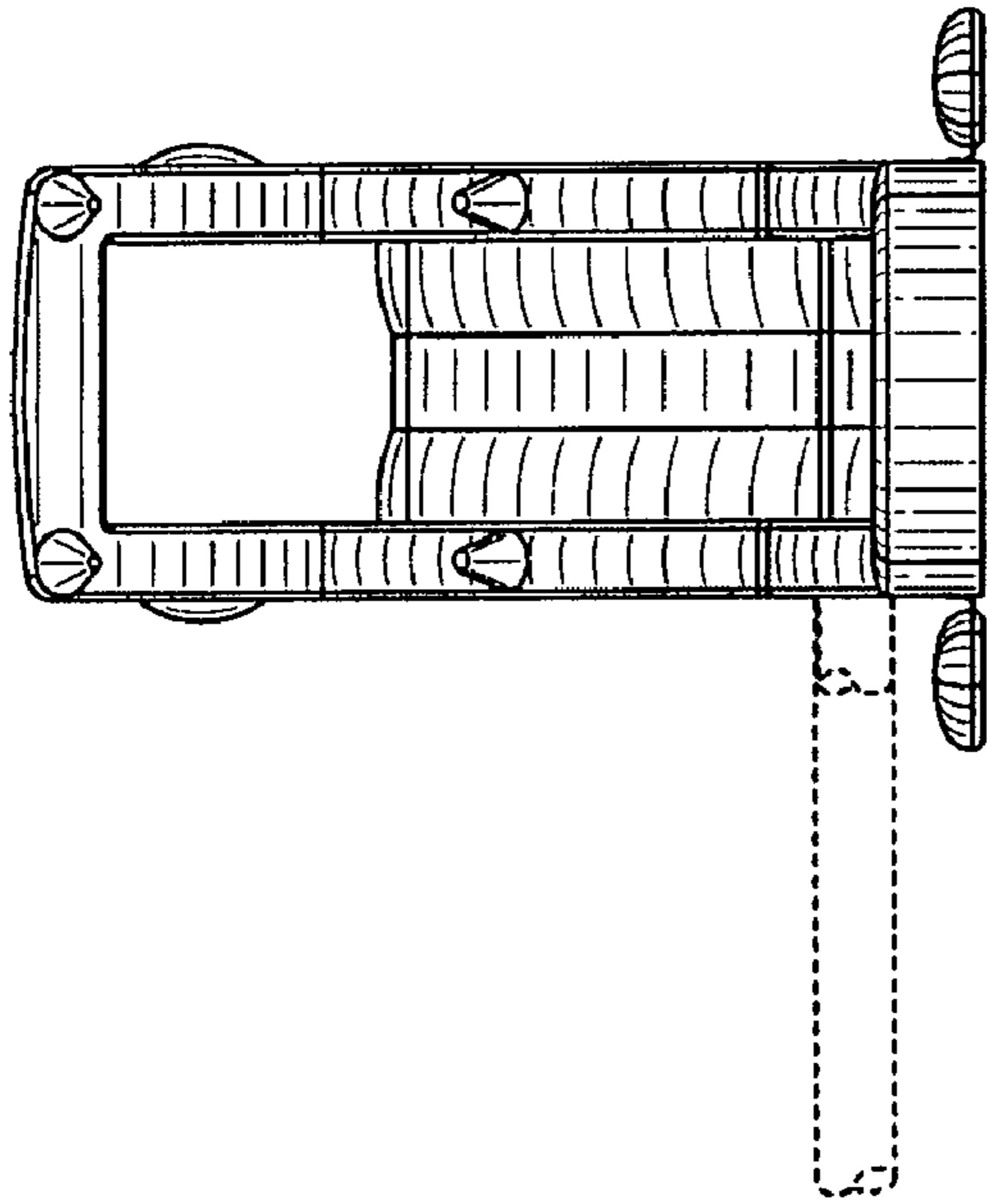


FIG. 3

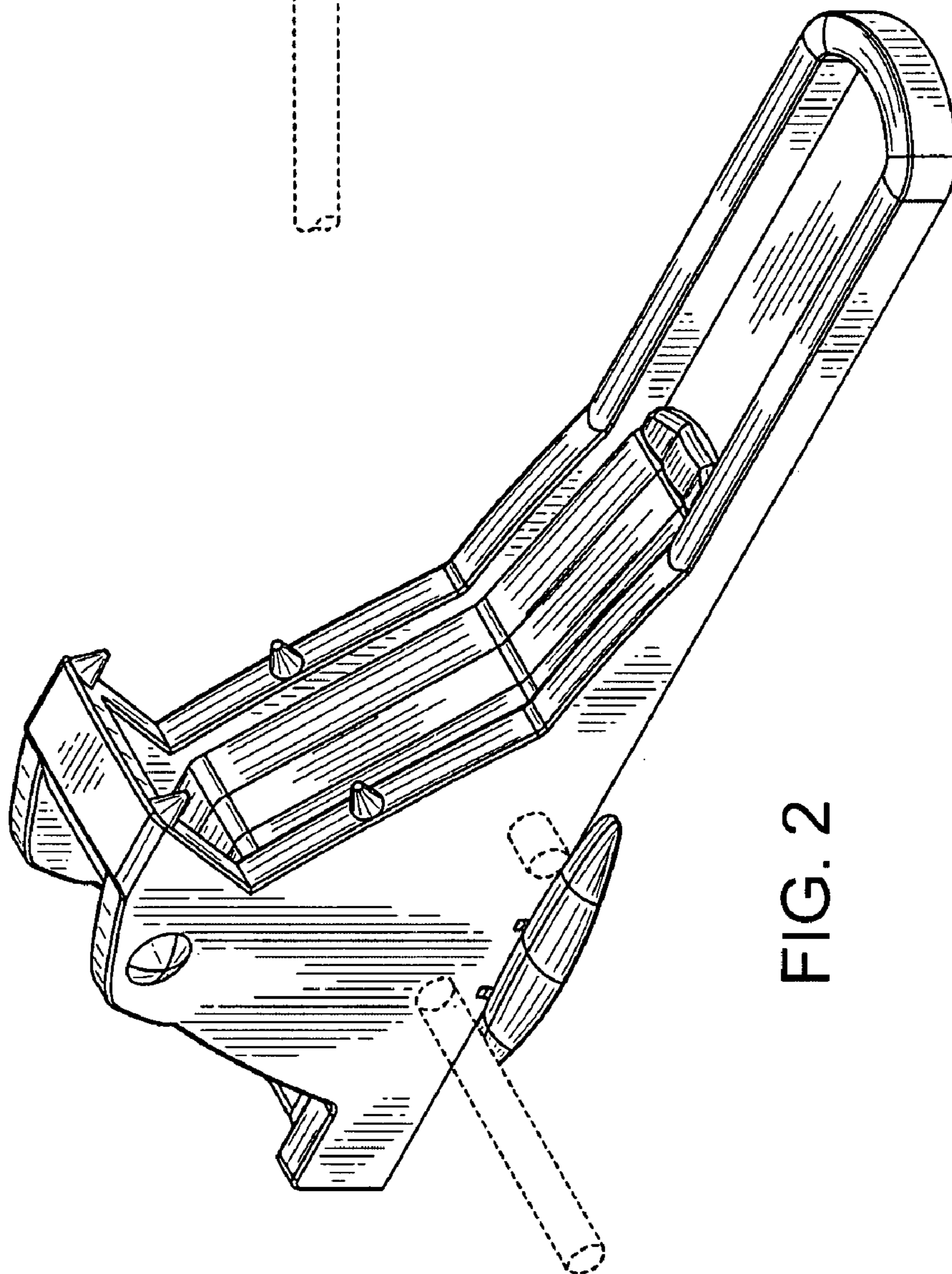


FIG. 2

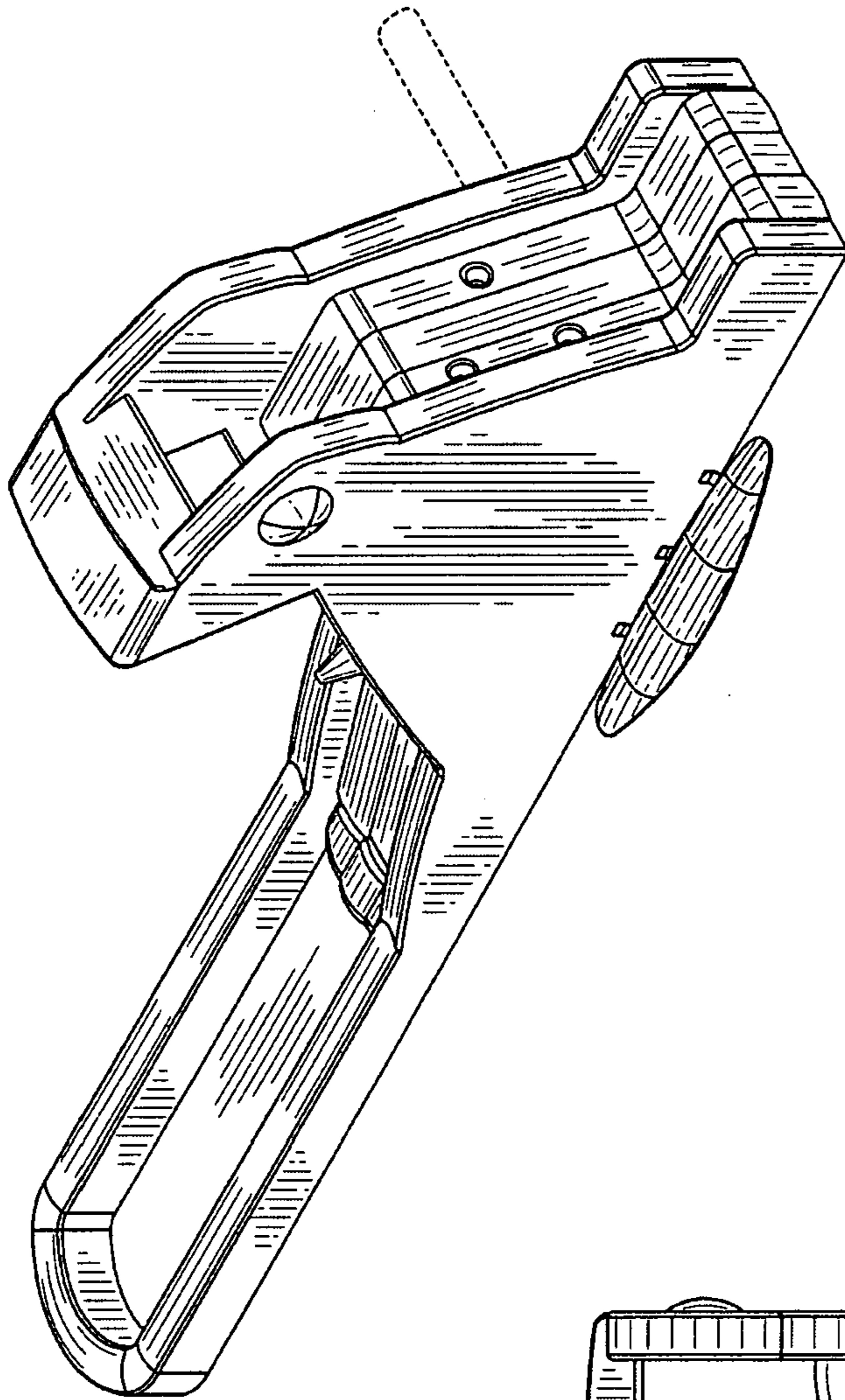


FIG. 4

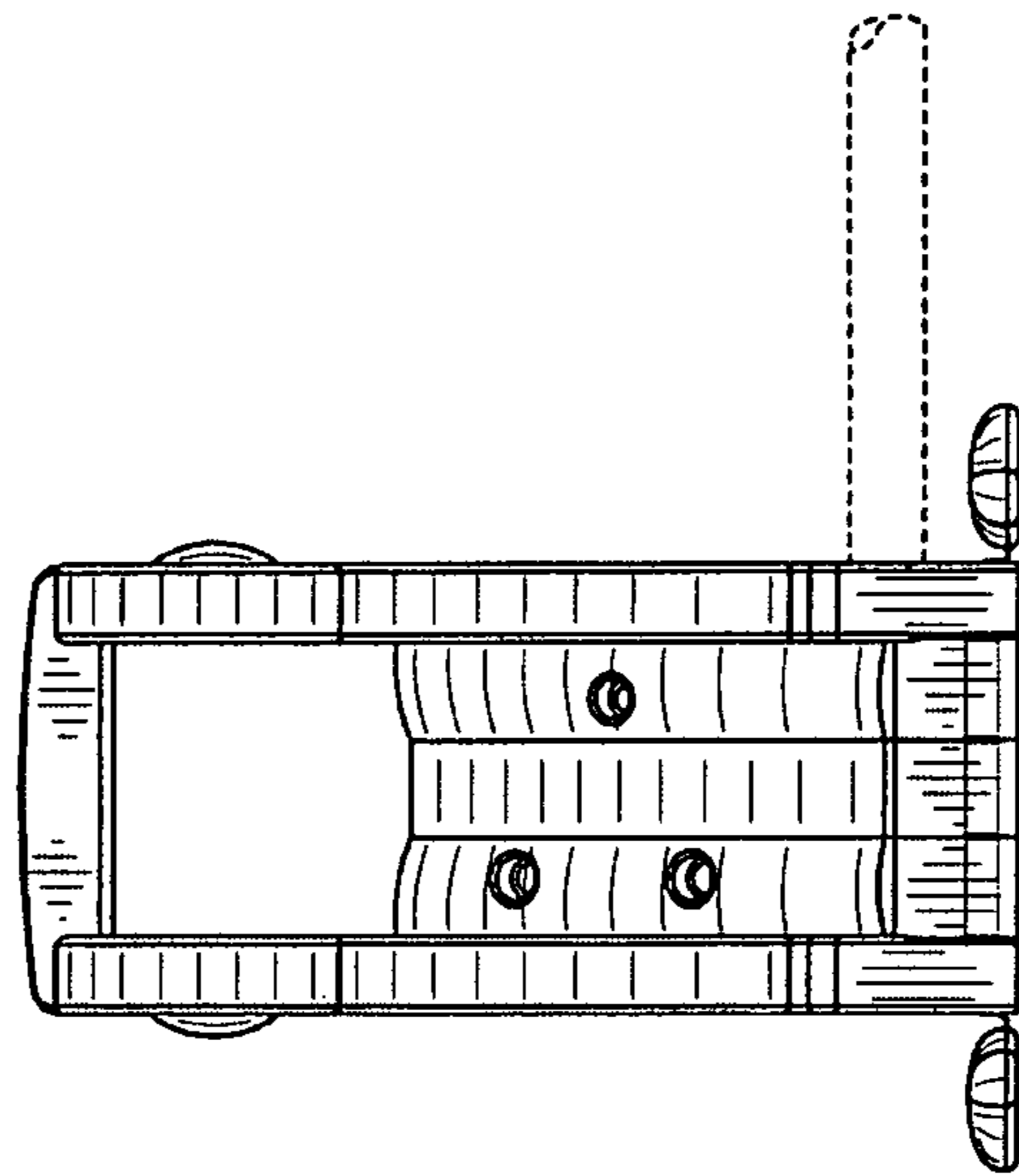


FIG. 5