



US00D556283S

(12) **United States Design Patent**
Hamborg et al.

(10) **Patent No.:** **US D556,283 S**

(45) **Date of Patent:** **** Nov. 27, 2007**

(54) **LONGBOARD**

(76) Inventors: **Peter Hamborg**, 9582 Hamilton Ave.,
#103, Huntington Beach, CA (US)
92646; **Steve Bray**, 34 Plaza Sq.,
Orange, CA (US) 92866

(**) Term: **14 Years**

(21) Appl. No.: **29/253,629**

(22) Filed: **Feb. 9, 2006**

(51) **LOC (8) Cl.** **21-02**

(52) **U.S. Cl.** **D21/765**

(58) **Field of Classification Search** D21/419,
D21/421, 423, 765, 760, 771, 779; 280/87.01,
280/87.021, 87.03, 87.041, 87.042, 57.05,
280/11.115, 11.27, 11.28; 180/180, 181
See application file for complete search history.

(56) **References Cited**

U.S. PATENT DOCUMENTS

D243,206 S * 1/1977 Sherwood D21/765

D413,954 S * 9/1999 Gerlach D21/765
2004/0041360 A1 * 3/2004 Lukoszek 280/11.27

* cited by examiner

Primary Examiner—Holly H. Baynham

Assistant Examiner—Cynthia M. Chin

(74) *Attorney, Agent, or Firm*—Walter A. Hackler

(57) **CLAIM**

The ornamental design for a longboard, as shown and described.

DESCRIPTION

FIG. 1 is a perspective view of the present invention showing a bottom thereof;

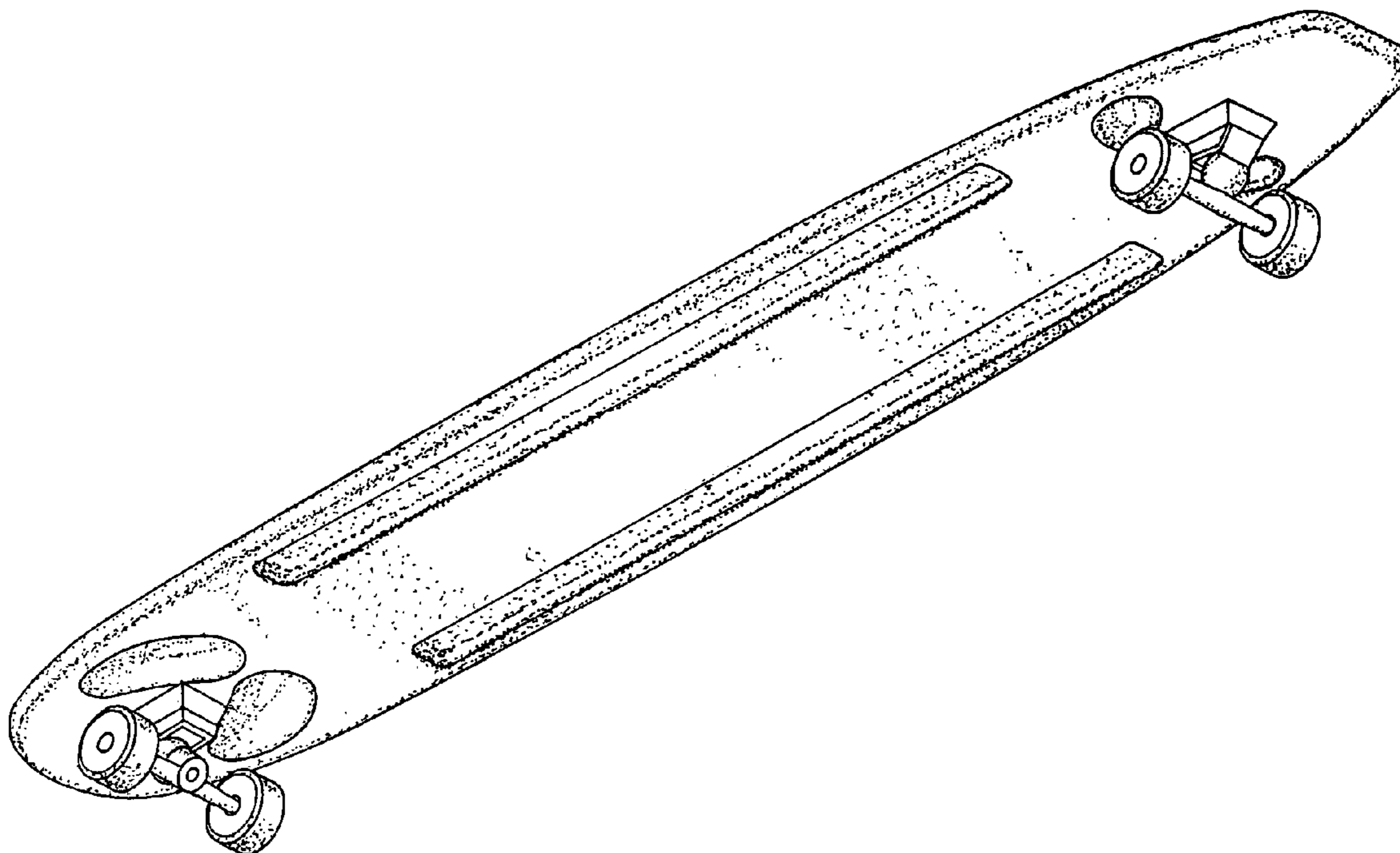
FIG. 2 is a top plan view of the present invention;

FIG. 3 is a side elevational view of the present invention, the opposite side being an identical view;

FIG. 4 is a front view of the present invention; and,

FIG. 5 is an rear view of the present invention.

1 Claim, 2 Drawing Sheets



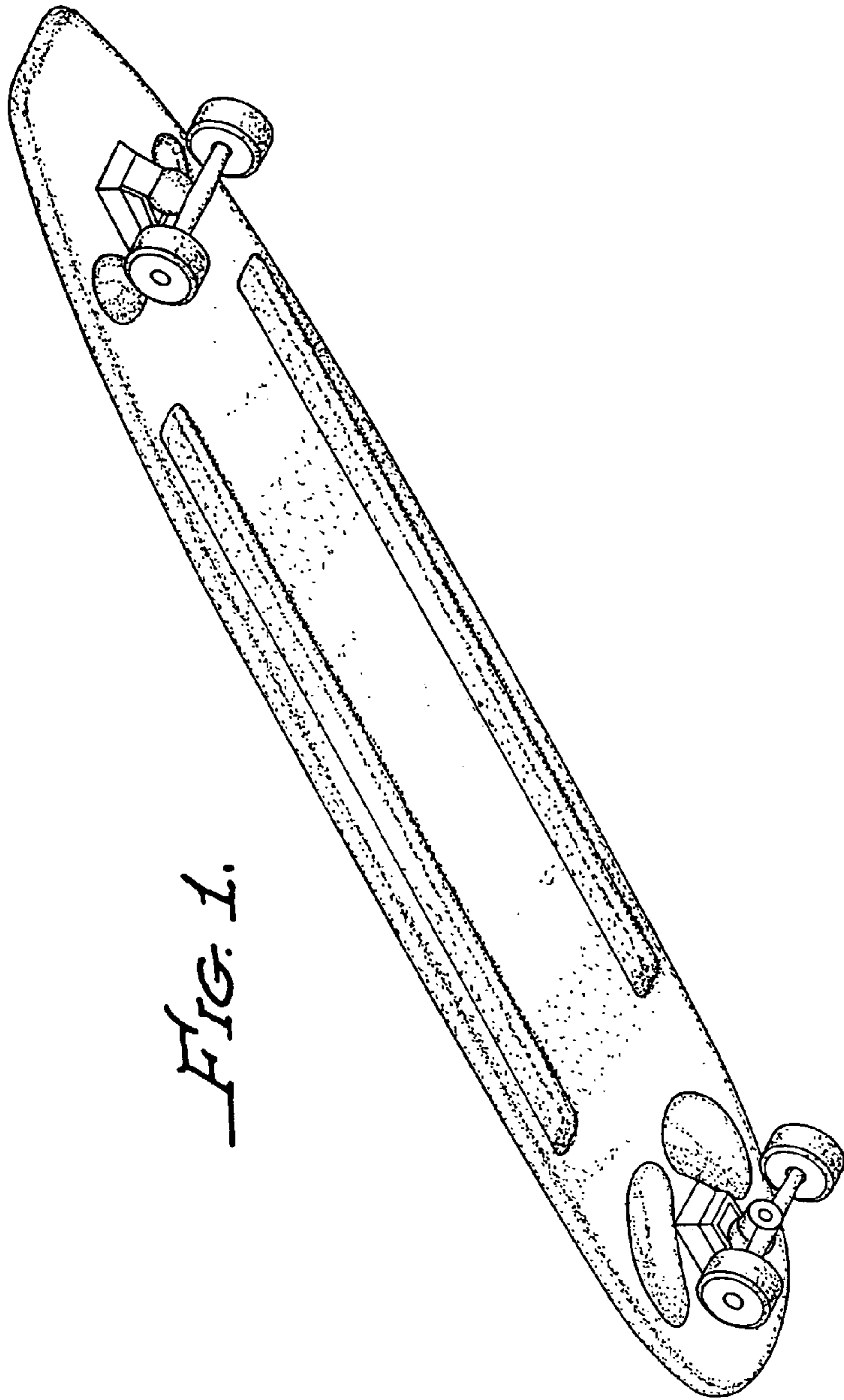


FIG. 1.

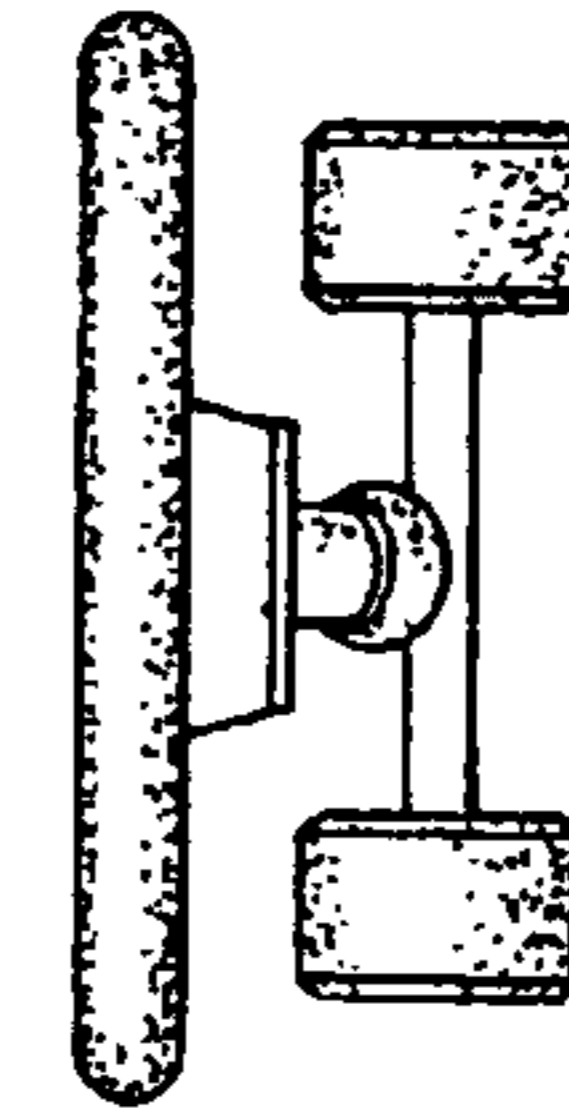


FIG. 5.

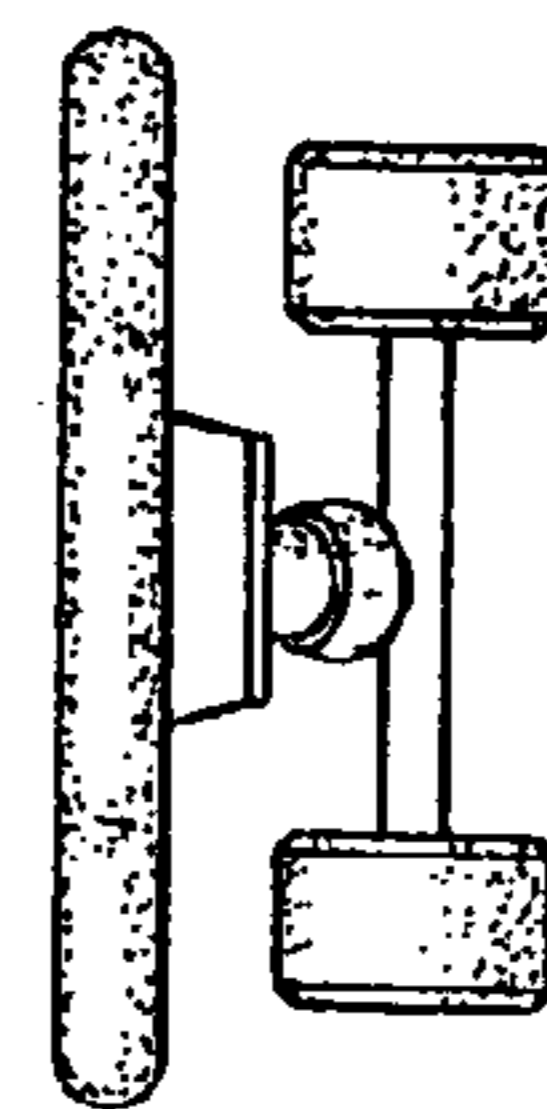


FIG. 4.

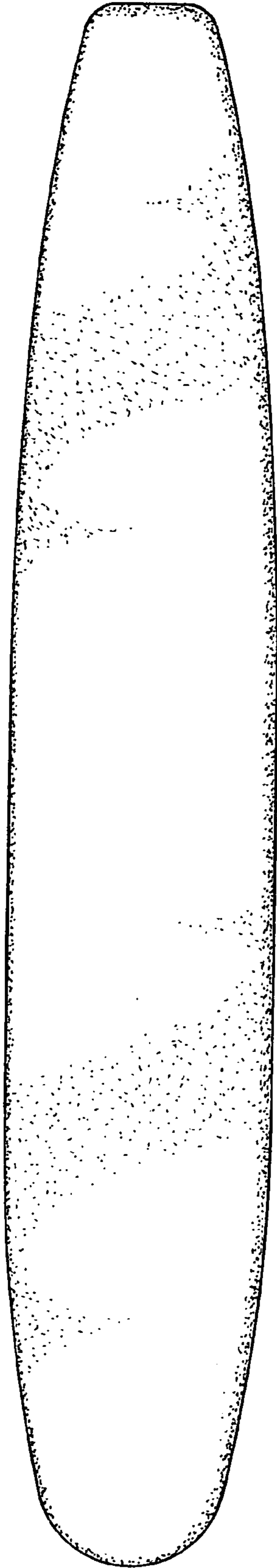


FIG. 2.

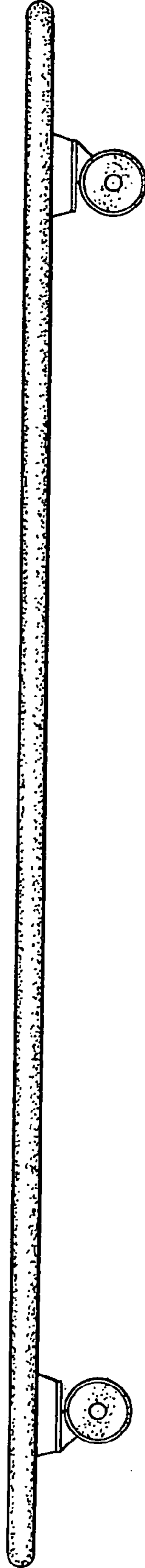


FIG. 3.