



US00D556281S

(12) **United States Design Patent** (10) **Patent No.:** **US D556,281 S**  
**Bamber** (45) **Date of Patent:** **\*\* \*Nov. 27, 2007**

(54) **GOLF CLUB SHAFT**

(75) Inventor: **Jeffrey V. Bamber**, Cincinnati, OH (US)

(73) Assignee: **Pelican Golf, Inc.**, Cincinnati, OH (US)

(\*) Notice: This patent is subject to a terminal disclaimer.

(\*\*) Term: **14 Years**

(21) Appl. No.: **29/261,014**

(22) Filed: **Jun. 6, 2006**

**Related U.S. Application Data**

(62) Division of application No. 11/324,067, filed on Dec. 30, 2005.

(30) **Foreign Application Priority Data**

Feb. 27, 2006 (EM) ..... 000485495-0001

(51) **LOC (8) Cl.** ..... **21-02**

(52) **U.S. Cl.** ..... **D21/757**

(58) **Field of Classification Search** ..... D21/733-752, D21/756, 757; 473/316-323  
See application file for complete search history.

(56) **References Cited**

**U.S. PATENT DOCUMENTS**

2,018,723 A 10/1935 Hutchison  
D118,594 S 1/1940 Heddon  
D304,608 S 11/1989 Filice

(Continued)

**FOREIGN PATENT DOCUMENTS**

EM 000-485495-0001 5/2006  
KR 20-0383208 5/2005

**OTHER PUBLICATIONS**

Author Unknown, Installation Guide for Stulz Nano Arrow Tri-Edge shafts, dated 2005 (exact date of publication unknown), Stulz

Golf Technologies LLC, Winter Park FL, U.S.A., received by Applicant between Dec. 14, 2005 and Dec. 19, 2005 upon purchasing a golf shaft from Stulz.

(Continued)

*Primary Examiner*—Mitchell Siegel

(74) *Attorney, Agent, or Firm*—Daniel F. Nesbitt; Hasse & Nesbitt LLC

(57) **CLAIM**

The ornamental design for a golf club shaft, as shown and described.

**DESCRIPTION**

FIG. 1 is a perspective view of a golf club comprising the golf club shaft, embodying my new design;

FIG. 2 is a side elevational view of the golf club shaft shown in FIG. 1.

FIG. 3 is a side elevational view of the golf club shaft rotated 180 degrees from the view shown in FIG. 2;

FIG. 4 is a side elevational view of the golf club shaft rotated 90 degrees from the view shown in FIG. 2;

FIG. 5 is an end view of the golf club shaft at the tip end of the shaft;

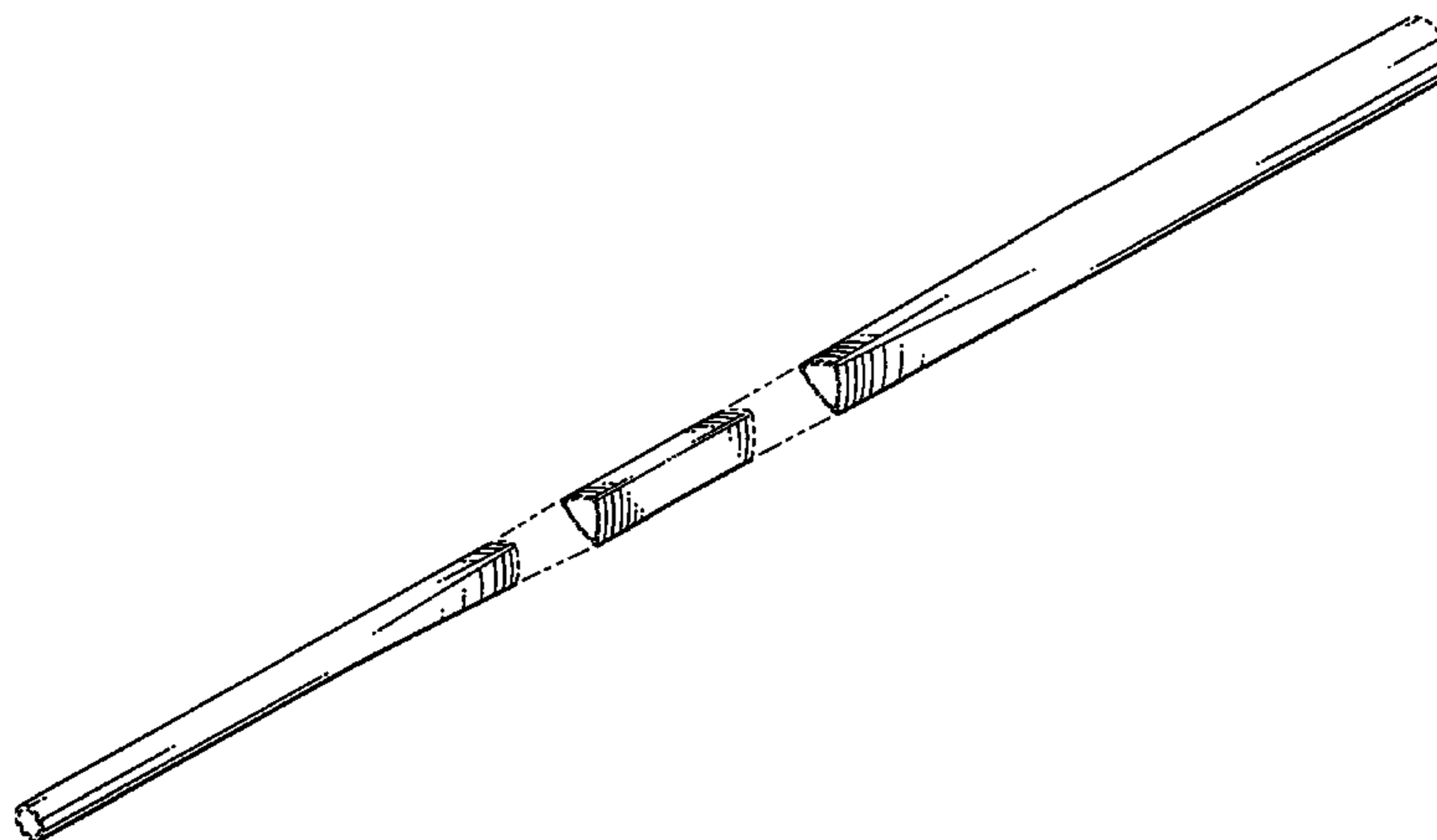
FIG. 6 is an end view of the golf club shaft at the butt end of the shaft;

FIG. 7 is a cross-sectional view of the golf club shaft taken along line 7—7 of FIG. 2; and,

FIG. 8 is a partially fragmented perspective view of the golf club shaft that shows the different sections of the same and the transitions between the different sections, which sections and transitions may be of any length.

The broken lines shown in the drawings are for illustrative purposes only and form no part of the claimed design.

**1 Claim, 4 Drawing Sheets**



# US D556,281 S

Page 2

## U.S. PATENT DOCUMENTS

5,251,896 A 10/1993 Gerlach  
5,335,908 A 8/1994 Bamber  
5,545,094 A 8/1996 Hsu  
D378,771 S \* 4/1997 Antonious ..... D21/757  
D380,802 S \* 7/1997 Franks ..... D21/757  
5,795,244 A 8/1998 Lu  
5,873,793 A 2/1999 Swinford  
5,913,733 A 6/1999 Bamber  
5,921,870 A 7/1999 Chiasson  
5,935,017 A 8/1999 Weaver et al.  
5,944,616 A 8/1999 Horwood et al.  
5,976,032 A 11/1999 You  
6,027,414 A 2/2000 Koebler  
D421,783 S \* 3/2000 Ryu ..... D21/757  
D425,594 S \* 5/2000 McTague ..... D21/757  
6,056,648 A 5/2000 Kusumoto et al.  
D436,138 S \* 1/2001 Chiasson ..... D21/757  
6,520,867 B1 2/2003 Miura et al.  
6,561,922 B2 5/2003 Bamber

D479,293 S 9/2003 Bergling Olson  
D505,986 S \* 6/2005 Bamber ..... D21/757  
2006/0264263 A1 11/2006 Williams

## OTHER PUBLICATIONS

Author Unknown, "Trends—The Square Tek 90 Putter", *Golfing Magazine*, Jul. 1996, p. 19 (1 page).

Businessweek Online, "Startups—Stulz Golf Technologies", *Business Week Online*, Mar. 19, 2006, The McGraw-Hill Companies, Inc., New York, NY, USA (2 pages).

Joe Logan, "The Golf Report-Inventor Keeps on Swinging Away", *The Philadelphia Inquirer*, May 6, 2001, p. D12A, Philadelphia, PA USA (2 pages).

Stulz Golf Technologies, LLC, "Hot Products, The Stulz Tri-Edge Nano Arrow™ Shaft", *Golf Week magazine*, Dec. 10-17, 2005 issue, p. 40, The Golf Week Group, Orlando, FL, USA.

U.S. Appl. No. 11/324,067, filed Dec. 30, 2005, J.V. Bamber.

\* cited by examiner

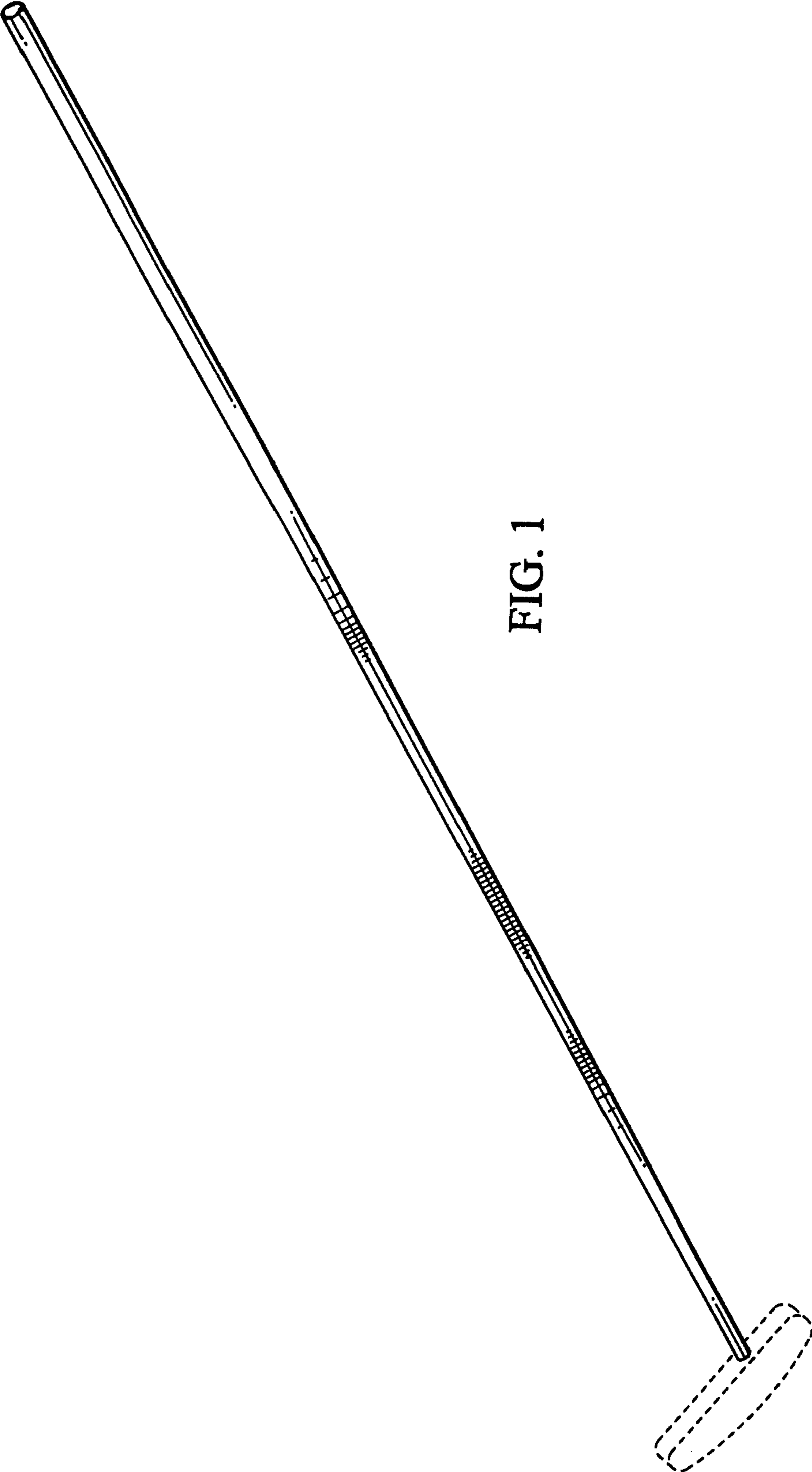


FIG. 1

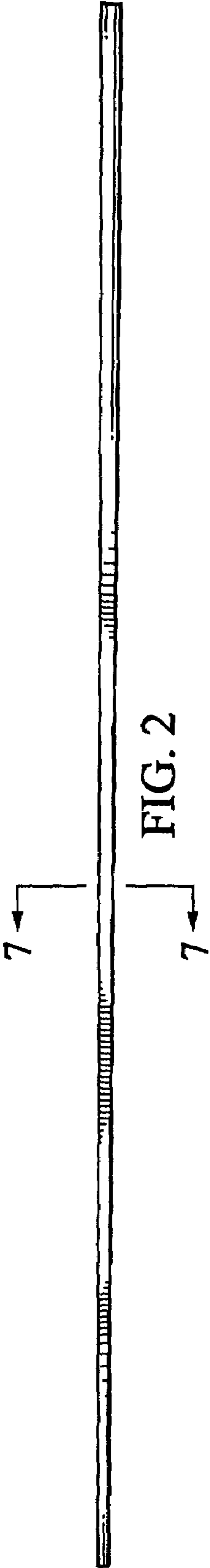


FIG. 3



FIG. 4

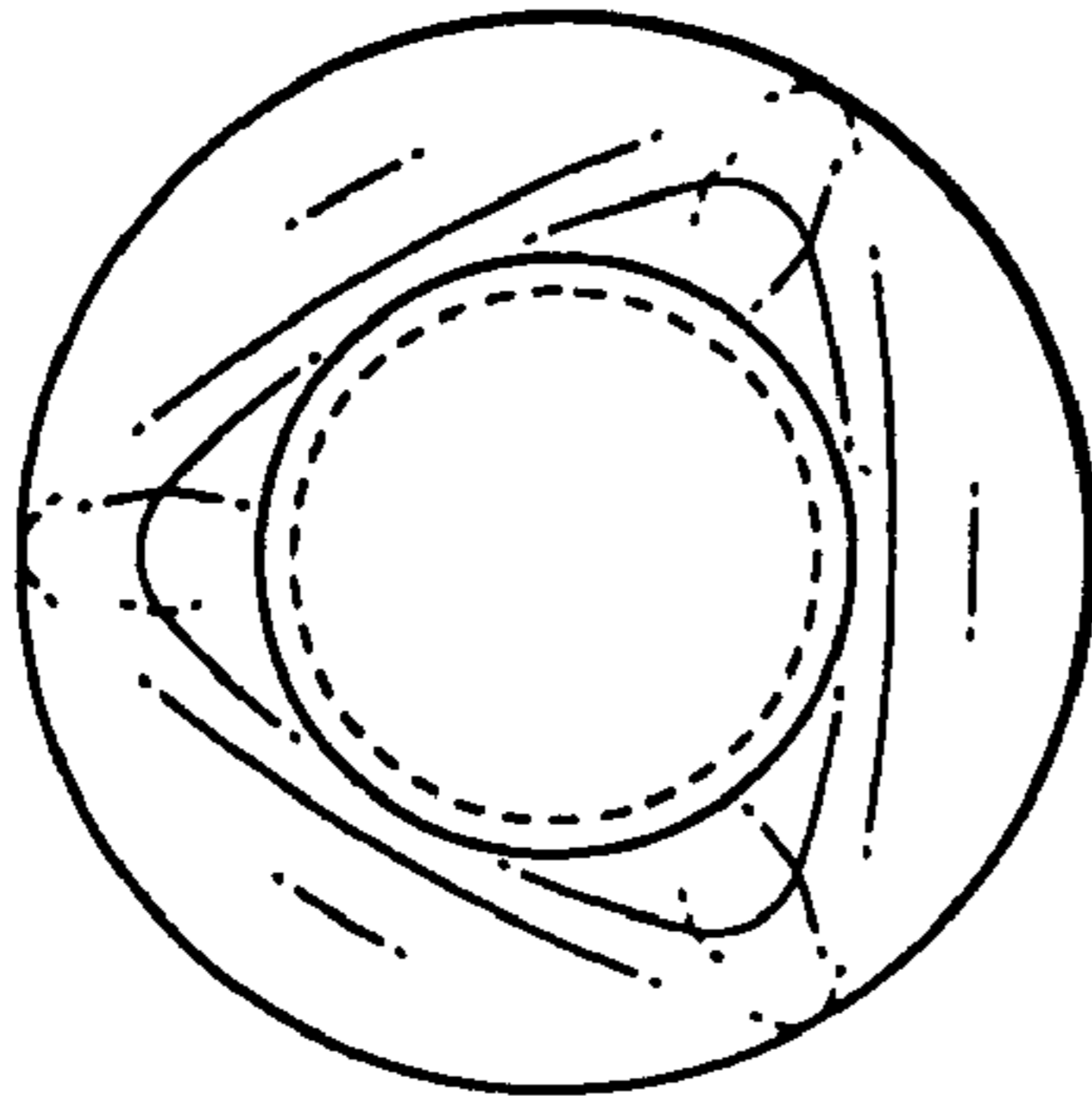


FIG. 5

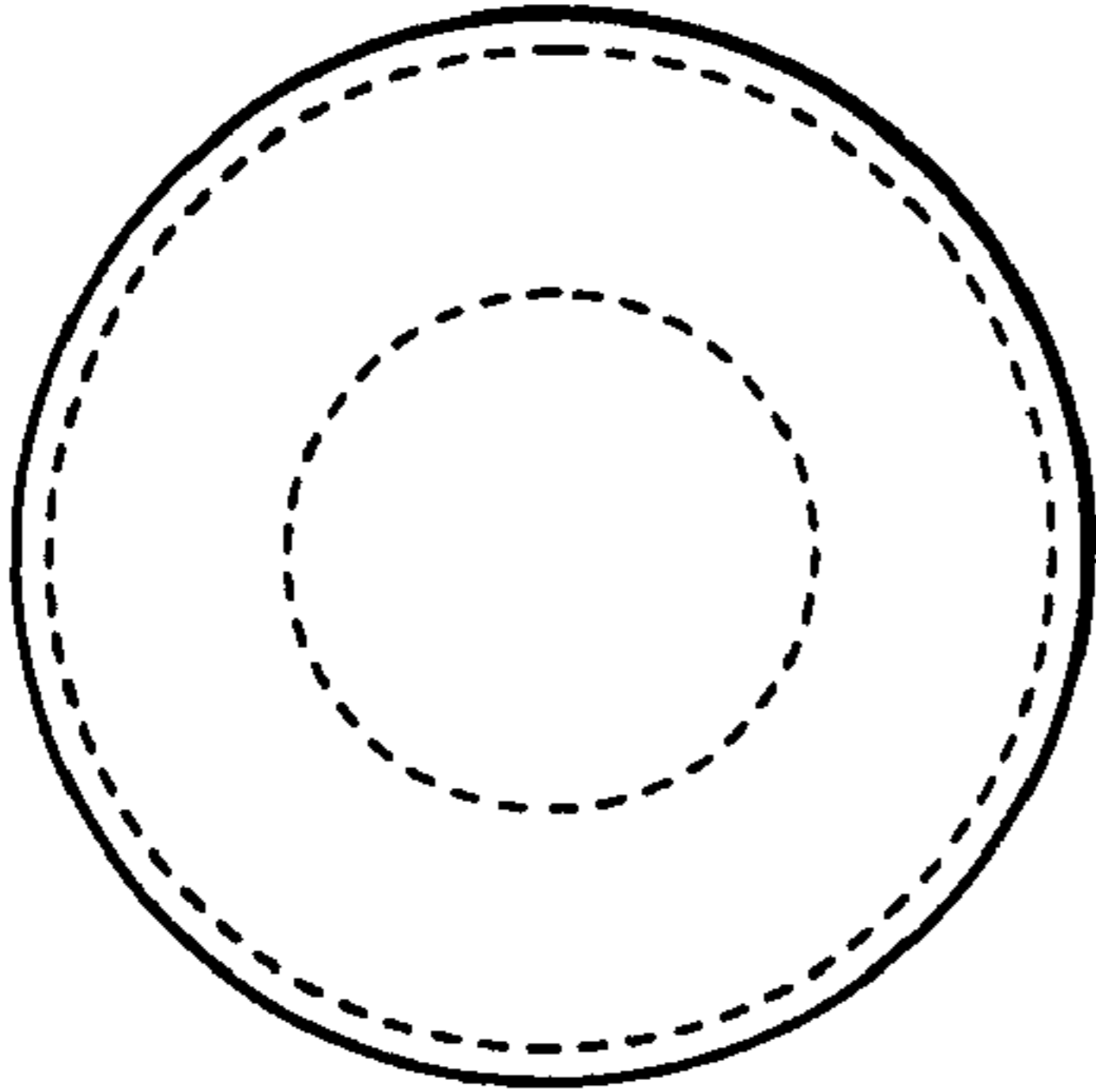


FIG. 6

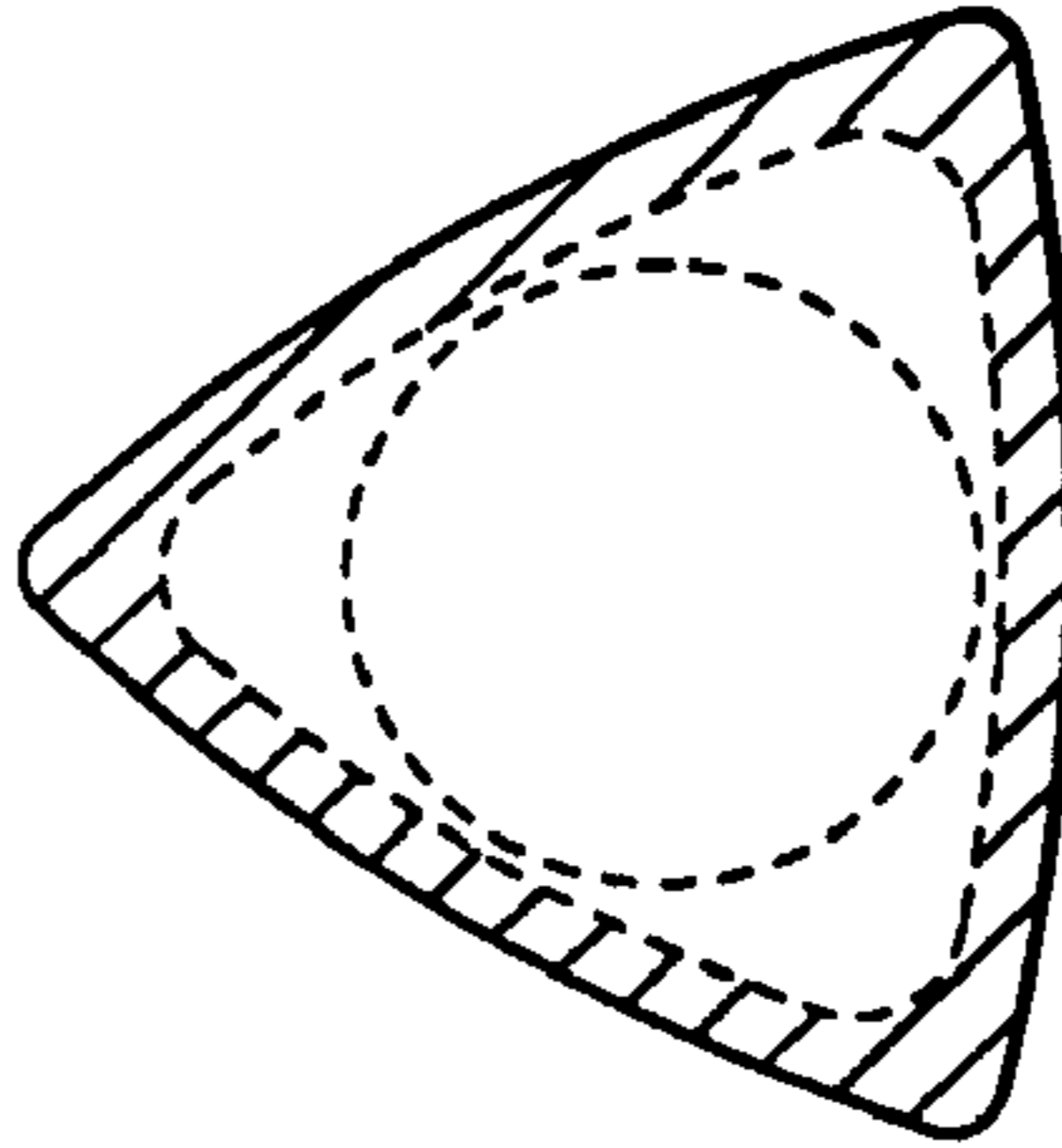


FIG. 7

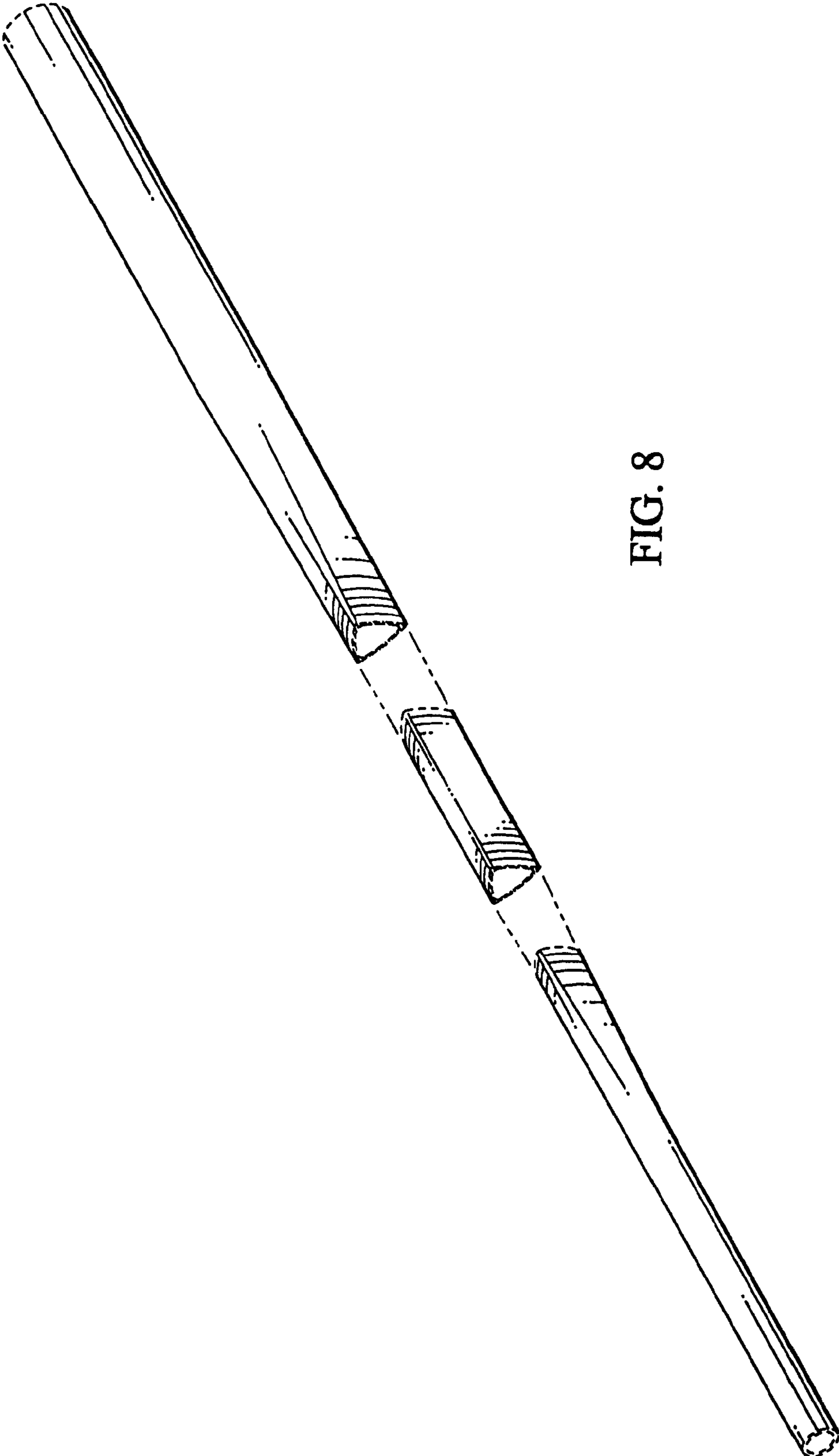


FIG. 8

UNITED STATES PATENT AND TRADEMARK OFFICE  
**CERTIFICATE OF CORRECTION**

PATENT NO. : Des. 556,281 S  
APPLICATION NO. : 29/261014  
DATED : November 27, 2007  
INVENTOR(S) : Jeffrey V. Bamber

Page 1 of 6

It is certified that error appears in the above-identified patent and that said Letters Patent is hereby corrected as shown below:

The title page should be deleted and substitute therefor the attached title page.

Drawings

Delete Drawing sheets 1-4 and substitute the attached Drawing sheets 1-4

Signed and Sealed this

Sixth Day of May, 2008

A handwritten signature in black ink that reads "Jon W. Dudas". The signature is written in a cursive style with a large, stylized initial "J".

JON W. DUDAS

*Director of the United States Patent and Trademark Office*

(12) **United States Design Patent** (10) **Patent No.:** **US D556,281 S**  
**Bamber** (45) **Date of Patent:** \*\* \*Nov. 27, 2007

(54) **GOLF CLUB SHAFT**

- (75) Inventor: **Jeffrey V. Bamber**, Cincinnati, OH (US)
- (73) Assignee: **Pelican Golf, Inc.**, Cincinnati, OH (US)
- (\* ) Notice: This patent is subject to a terminal disclaimer.
- (\*\*) Term: **14 Years**
- (21) Appl. No.: **29/261,014**
- (22) Filed: **Jun. 6, 2006**

**Related U.S. Application Data**

- (62) Division of application No. 11/324,067, filed on Dec. 30, 2005.

(30) **Foreign Application Priority Data**

Feb. 27, 2006 (EM) ..... 000485495-0001

- (51) **LOC (8) Cl.** ..... **21-02**
- (52) **U.S. Cl.** ..... **D21/757**
- (58) **Field of Classification Search** ..... **D21/733-752,**  
**D21/756, 757; 473/316-323**  
 See application file for complete search history.

(56) **References Cited**

**U.S. PATENT DOCUMENTS**

2,018,723 A 10/1935 Hutchison  
 D118,594 S 1/1940 Heddon  
 D304,608 S 11/1989 Filice

(Continued)

**FOREIGN PATENT DOCUMENTS**

EM 000-485495-0001 5/2006  
 KR 20-0383208 5/2005

**OTHER PUBLICATIONS**

Author Unknown, Installation Guide for Stutz Nano Arrow Tri-Edge shafts, dated 2005 (exact date of publication unknown), Stutz

Golf Technologies LLC, Winter Park FL, U.S.A., received by Applicant between Dec. 14, 2005 and Dec. 19, 2005 upon purchasing a golf shaft from Stutz.

(Continued)

*Primary Examiner*—Mitchell Siegel

(74) *Attorney, Agent, or Firm*—Daniel F. Nesbitt; Hasse & Nesbitt LLC

(57) **CLAIM**

The ornamental design for a golf club shaft, as shown and described.

**DESCRIPTION**

FIG. 1 is a perspective view of a golf club comprising the golf club shaft, embodying my new design;

FIG. 2 is a side elevational view of the golf club shaft shown in FIG. 1.

FIG. 3 is a side elevational view of the golf club shaft rotated 180 degrees from the view shown in FIG. 2;

FIG. 4 is a side elevational view of the golf club shaft rotated 90 degrees from the view shown in FIG. 2;

FIG. 5 is an end view of the golf club shaft at the tip end of the shaft;

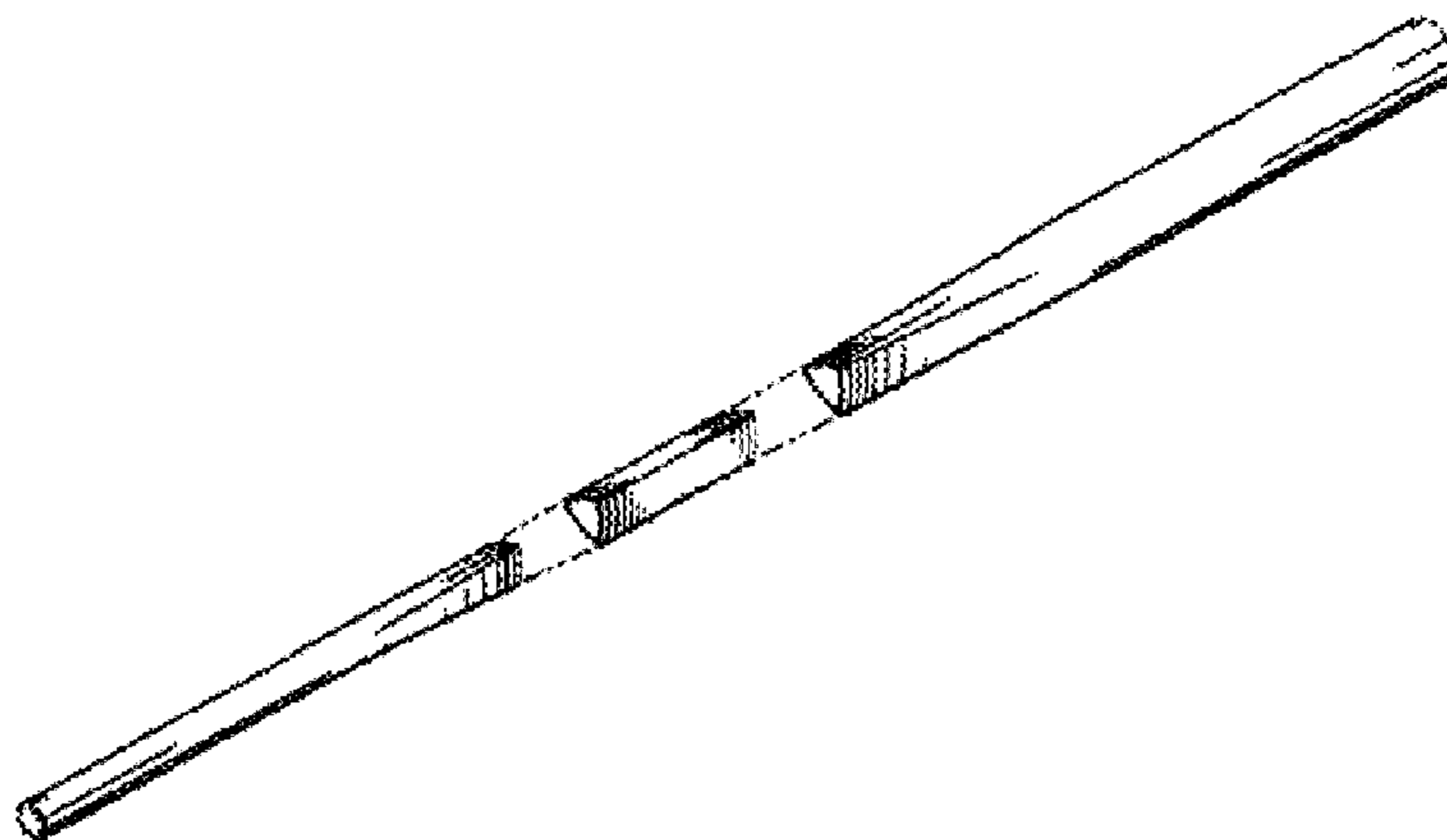
FIG. 6 is an end view of the golf club shaft at the butt end of the shaft;

FIG. 7 is a cross-sectional view of the golf club shaft taken along line 7---7 of FIG. 2; and,

FIG. 8 is a partially fragmented perspective view of the golf club shaft that shows the different sections of the same and the transitions between the different sections, which sections and transitions may be of any length.

The broken lines shown in the drawings are for illustrative purposes only and form no part of the claimed design.

**1 Claim, 4 Drawing Sheets**



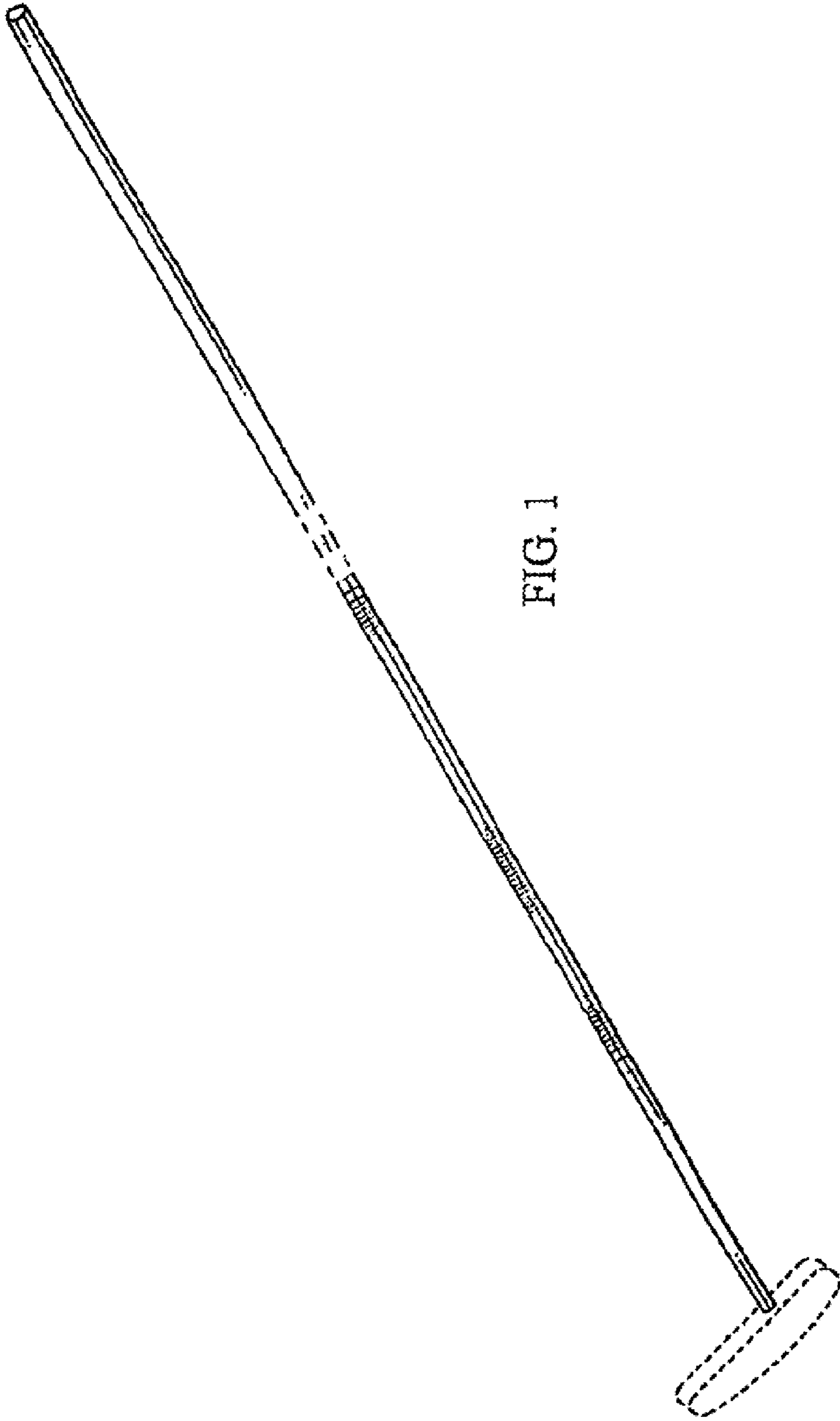


**U.S. Patent**

**Nov. 27, 2007**

**Sheet 1 of 4**

**D556,281 S**



**FIG. 1**

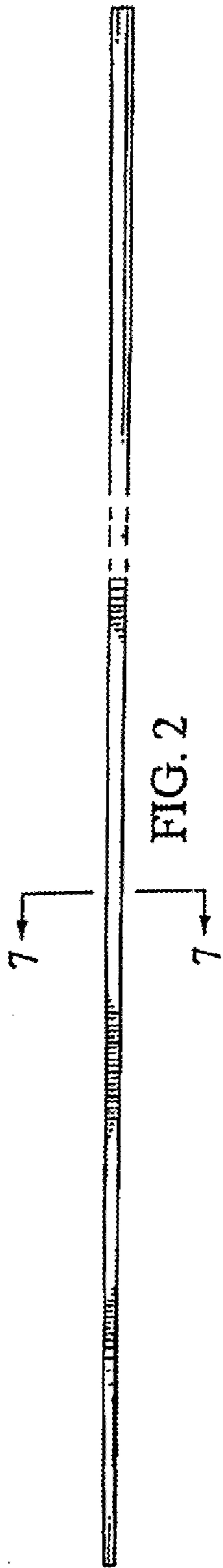


FIG. 3



FIG. 4

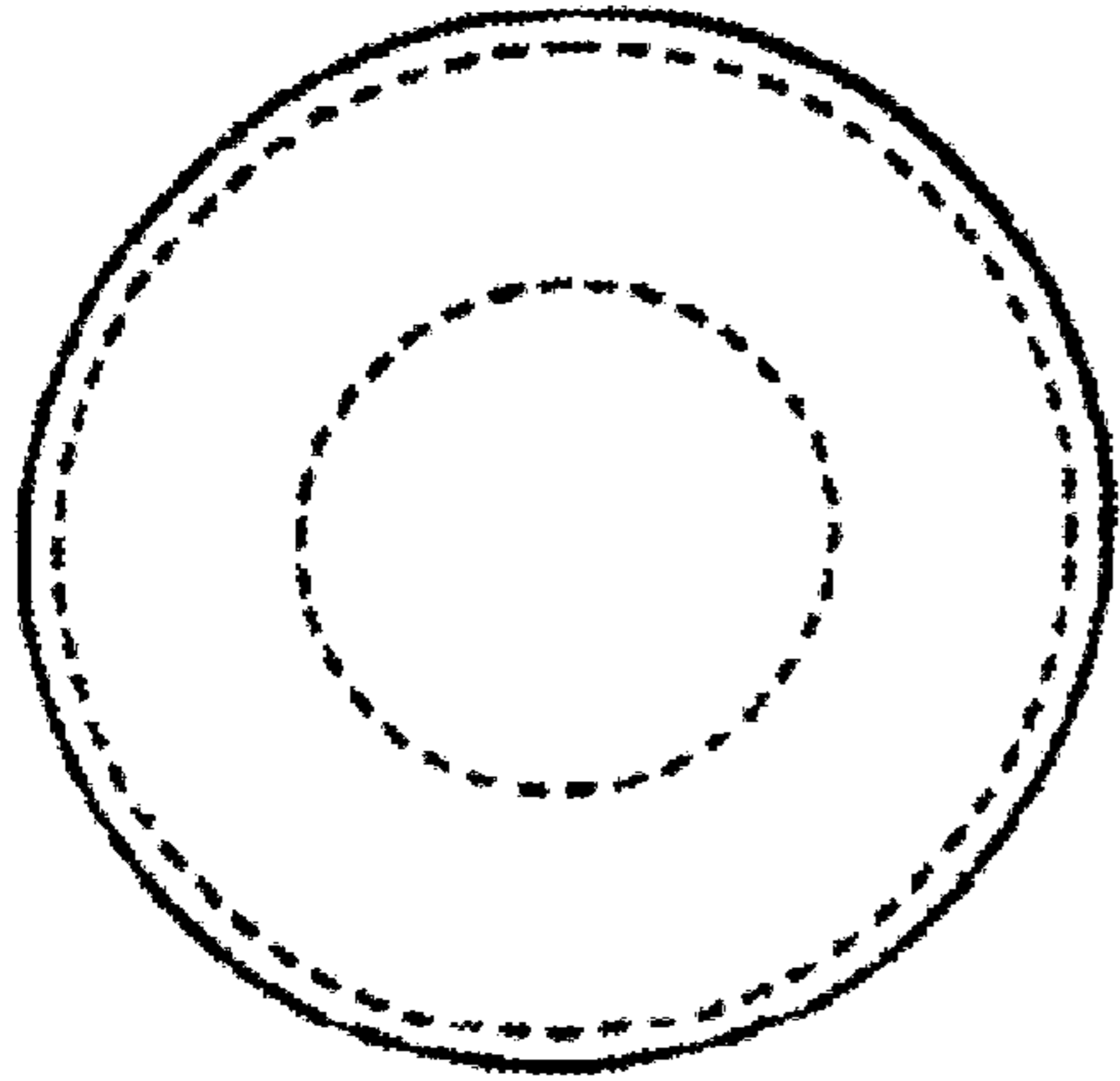


FIG. 6

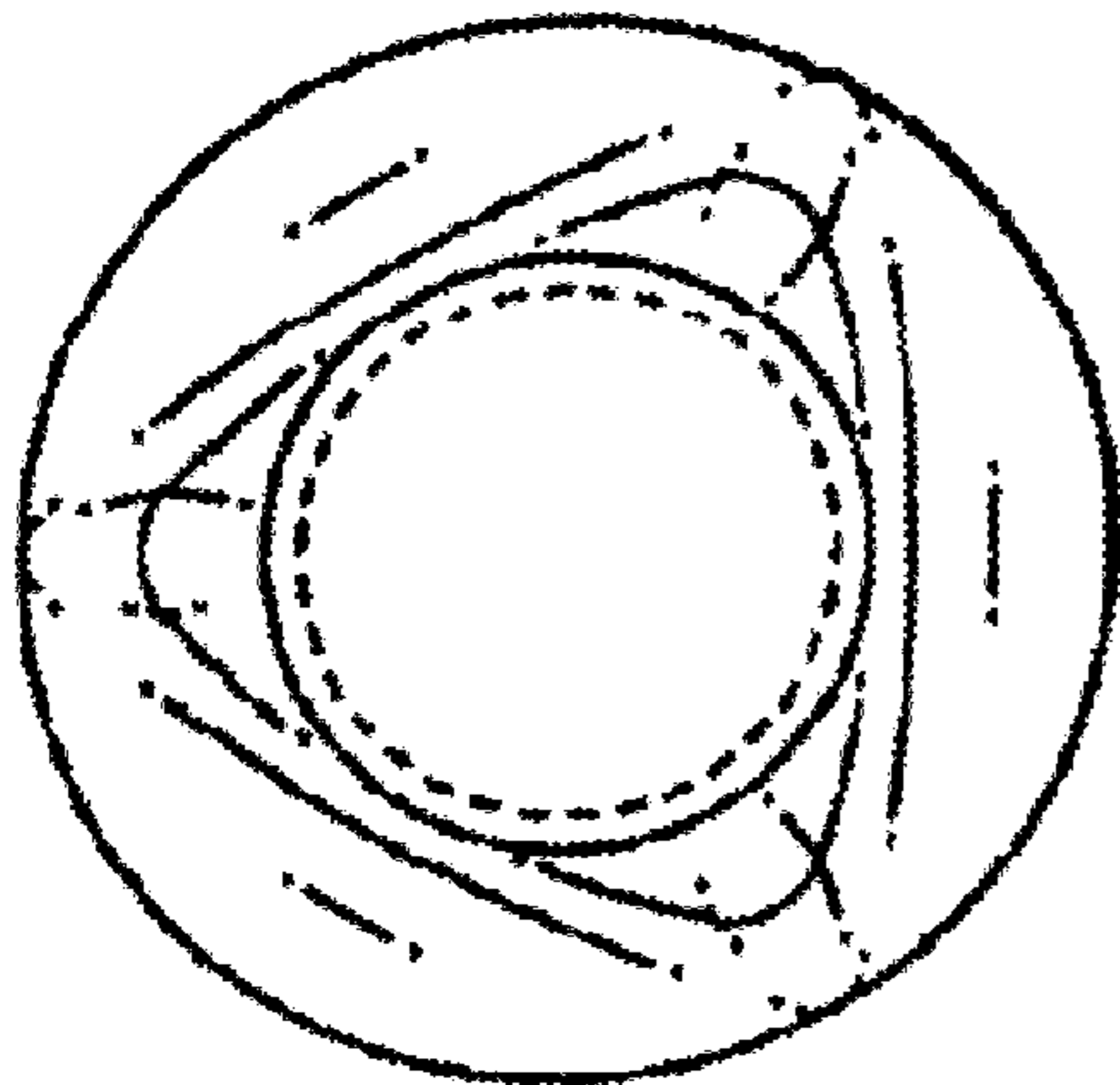


FIG. 5

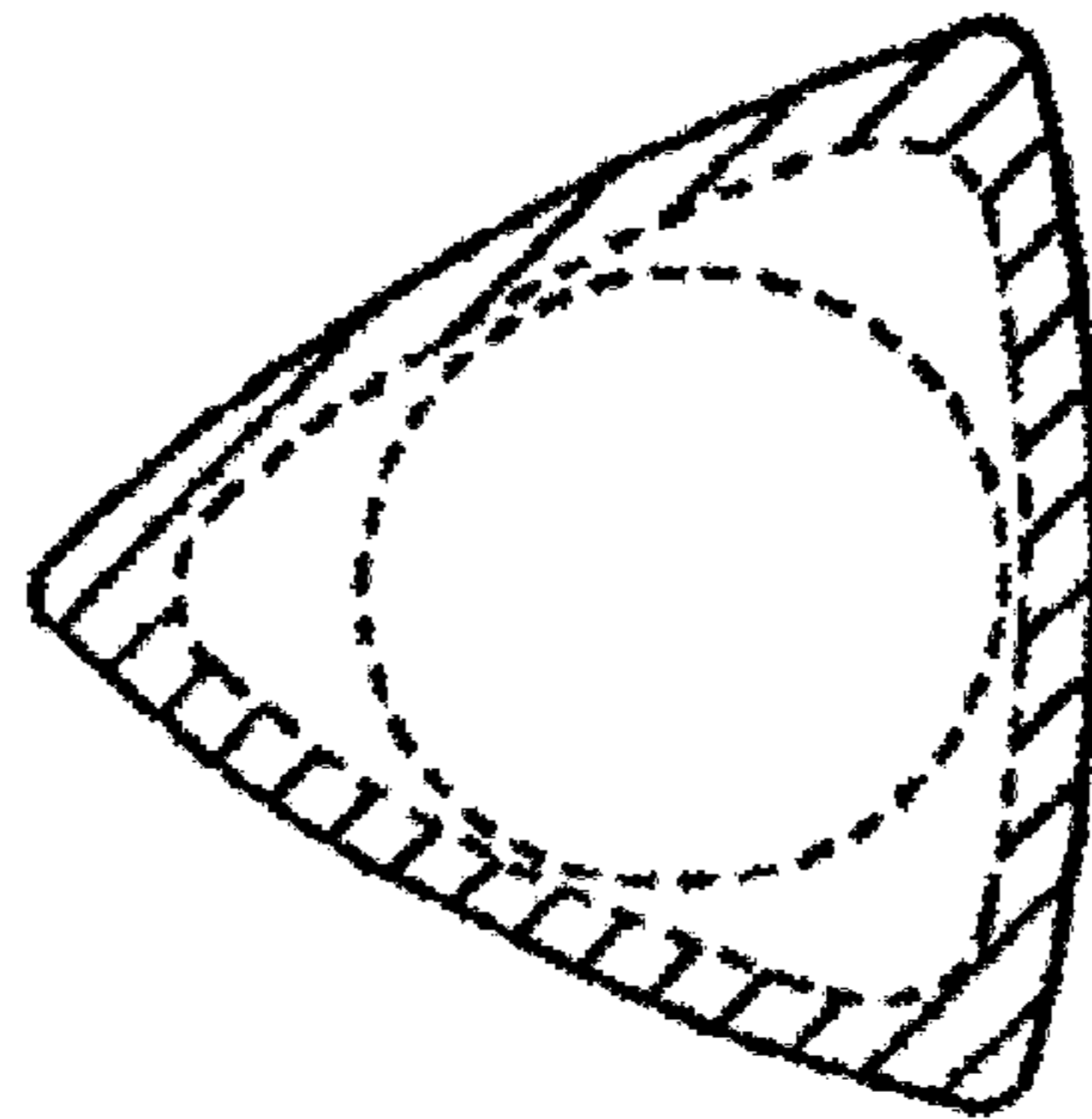


FIG. 7

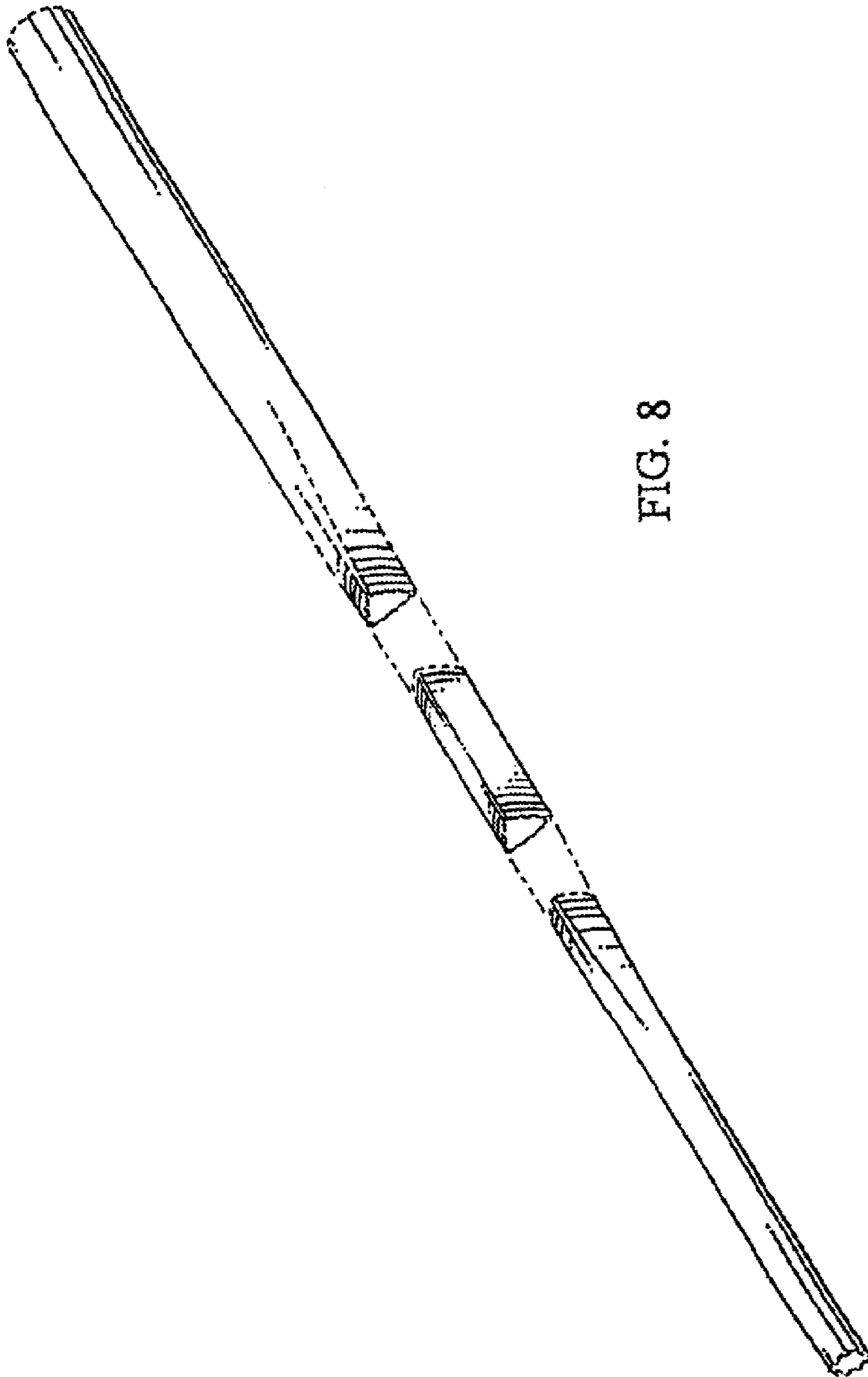


FIG. 8