



US00D556278S

(12) **United States Design Patent**  
**Mahaffey et al.**

(10) **Patent No.:** **US D556,278 S**

(45) **Date of Patent:** **\*\* Nov. 27, 2007**

(54) **IRON GOLF CLUB HEAD**

(75) Inventors: **Steven J. Mahaffey**, San Marcos, CA (US); **Catherine Brookshire-Herron**, Escondido, CA (US)

(73) Assignee: **Callaway Golf Company**, Carlsbad, CA (US)

(\*\*) Term: **14 Years**

(21) Appl. No.: **29/250,912**

(22) Filed: **Dec. 5, 2006**

(51) **LOC (8) Cl.** ..... **21-02**

(52) **U.S. Cl.** ..... **D21/747**

(58) **Field of Classification Search** ..... D21/747-751, D21/759; 473/324-331, 350

See application file for complete search history.

(56) **References Cited**

U.S. PATENT DOCUMENTS

2,087,685	A *	7/1937	Hackney	.....	473/349
D368,756	S *	4/1996	Blough et al.	.....	D21/748
D368,946	S *	4/1996	Blough et al.	.....	D21/748
D368,947	S *	4/1996	Blough et al.	.....	D21/748
D400,945	S *	11/1998	Gilbert et al.	.....	D21/753
D442,246	S *	5/2001	McCabe et al.	.....	D21/759
D464,387	S *	10/2002	Rollinson et al.	.....	D21/748
D464,693	S *	10/2002	Rollinson et al.	.....	D21/748
D474,822	S *	5/2003	Cleveland et al.	.....	D21/747

D485,877	S *	1/2004	Clausen et al.	.....	D21/747
D496,419	S *	9/2004	Lang et al.	.....	D21/747
D497,963	S *	11/2004	Toulon et al.	.....	D21/747
D498,277	S *	11/2004	Lang et al.	.....	D21/747
D507,816	S *	7/2005	Lang et al.	.....	D21/759
D512,757	S *	12/2005	Cleveland et al.	.....	D21/747
D532,848	S *	11/2006	Cleveland et al.	.....	D21/747
D533,245	S *	12/2006	Cleveland et al.	.....	D21/747
D537,894	S *	3/2007	Cleveland et al.	.....	D21/747

\* cited by examiner

*Primary Examiner*—Mitchell Siegel

(74) *Attorney, Agent, or Firm*—Michael A. Catania; Elaine H. Lo

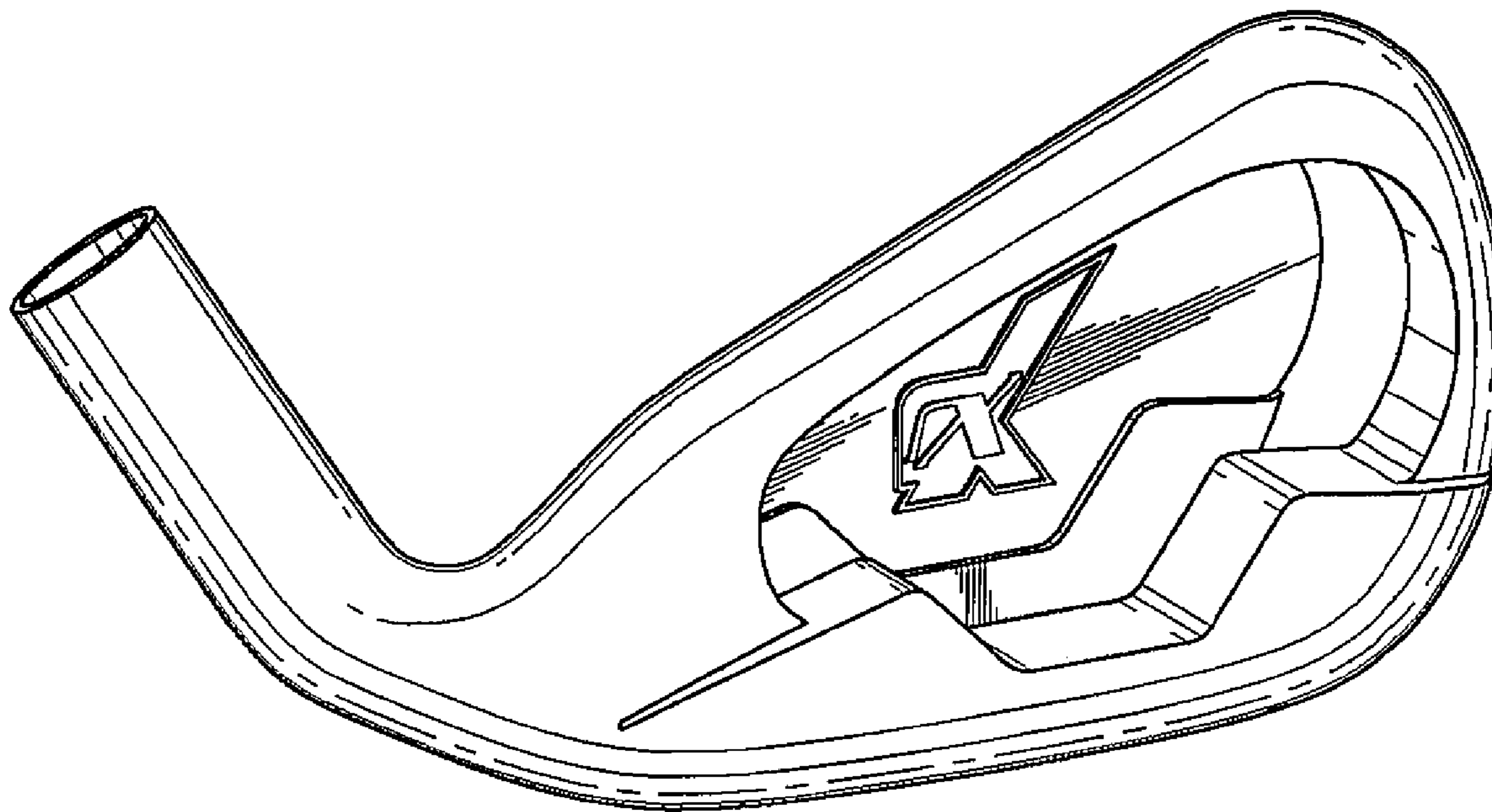
(57) **CLAIM**

The ornamental design for an iron golf club head, as shown and described.

**DESCRIPTION**

FIG. 1 is a rear perspective view of an iron golf club head; FIG. 2 is a front elevational view thereof; FIG. 3 is a rear elevational view thereof; FIG. 4 is a top plan view thereof; FIG. 5 is a bottom plan view thereof; FIG. 6 is a heel end view thereof; and, FIG. 7 is a toe end view thereof.

**1 Claim, 2 Drawing Sheets**



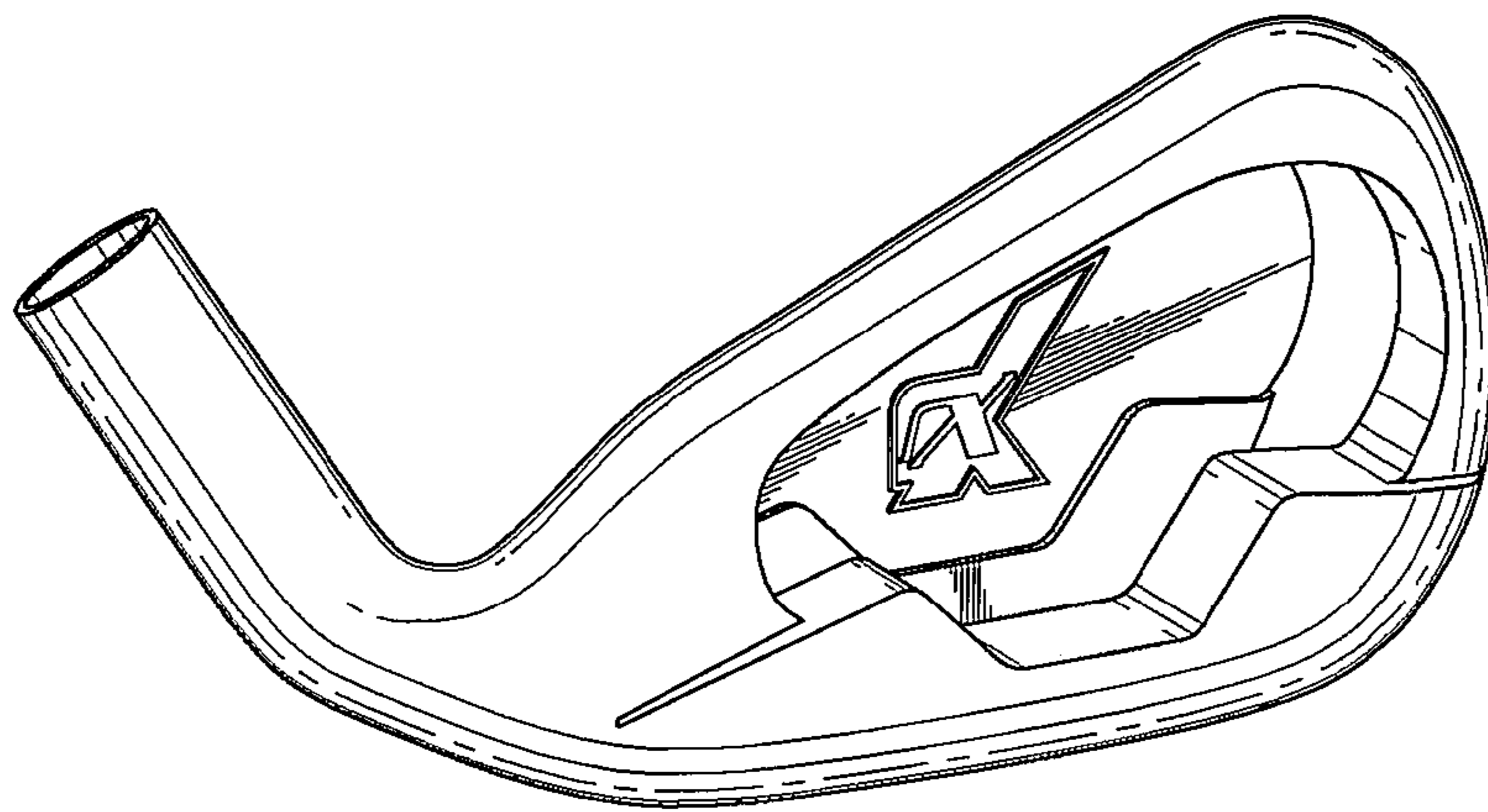


FIG. 1

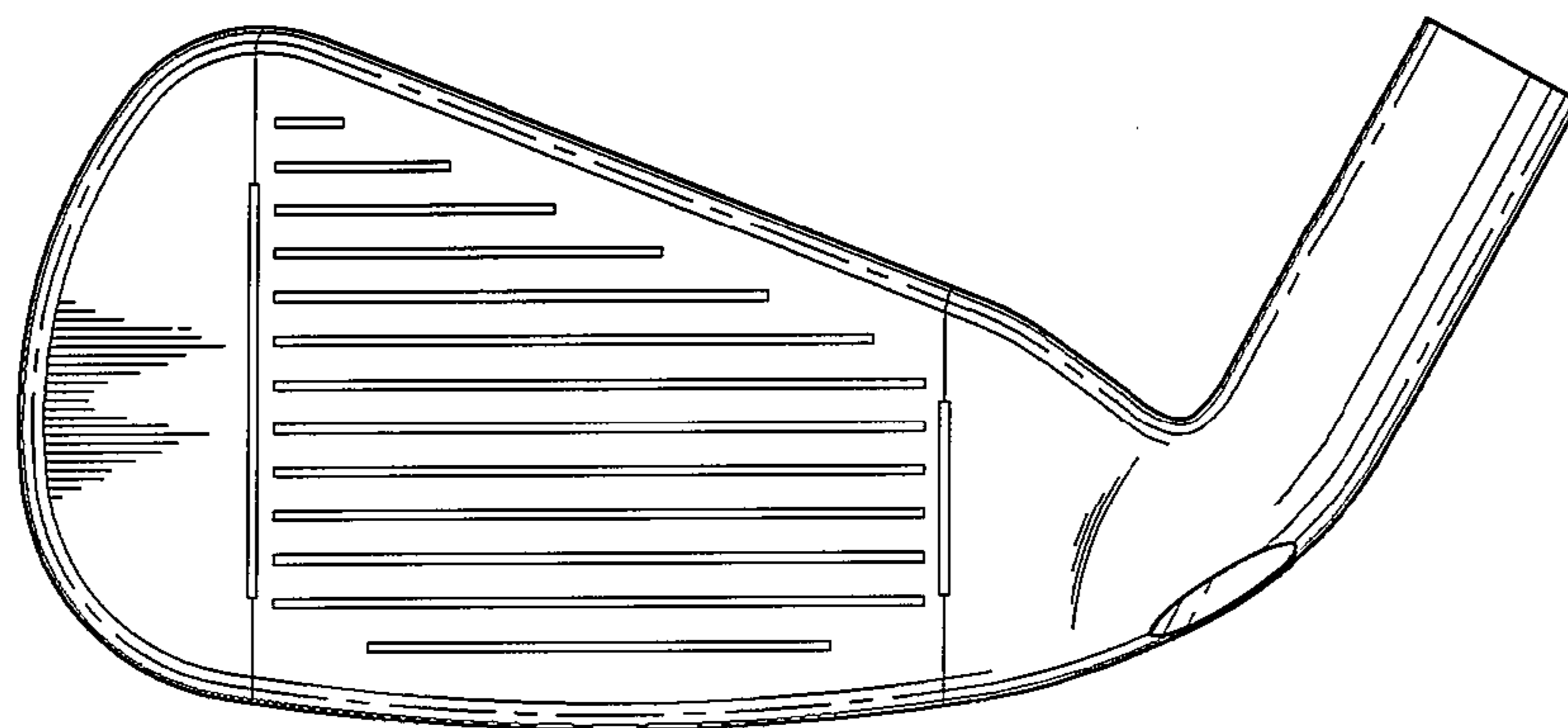


FIG. 2

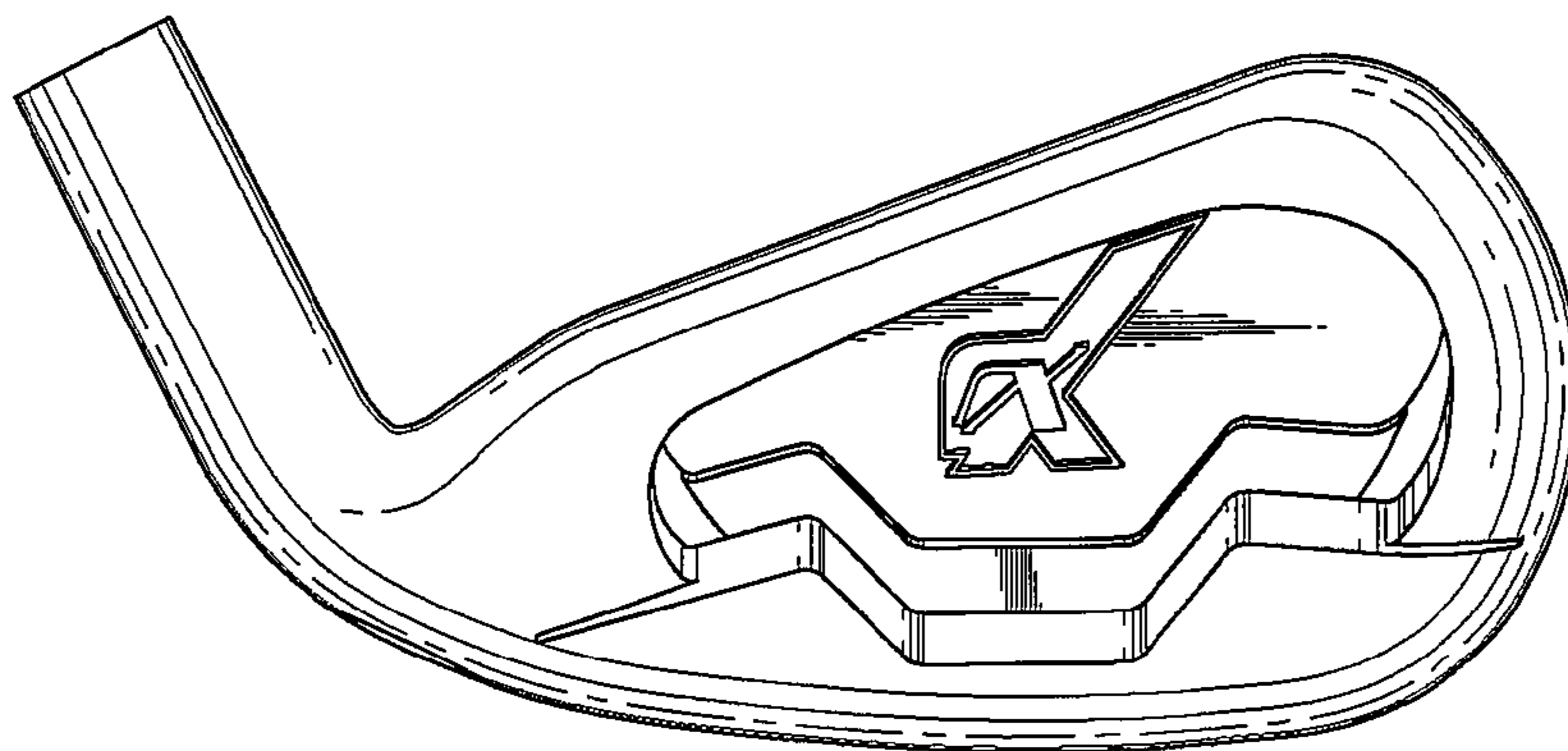


FIG. 3

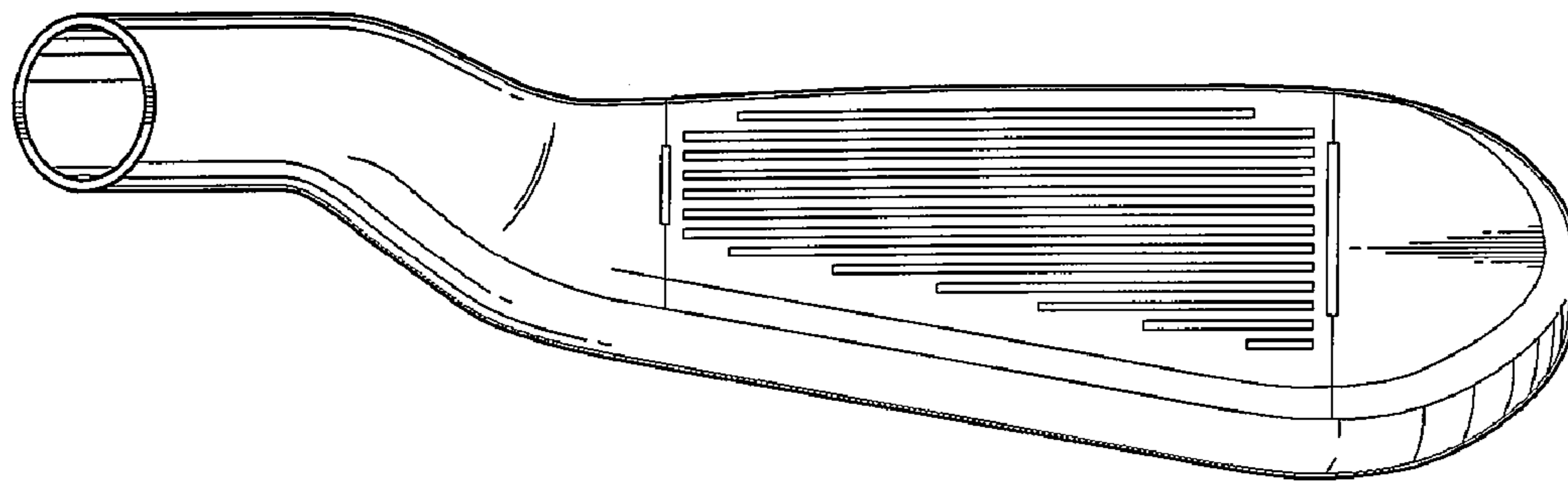


FIG. 4

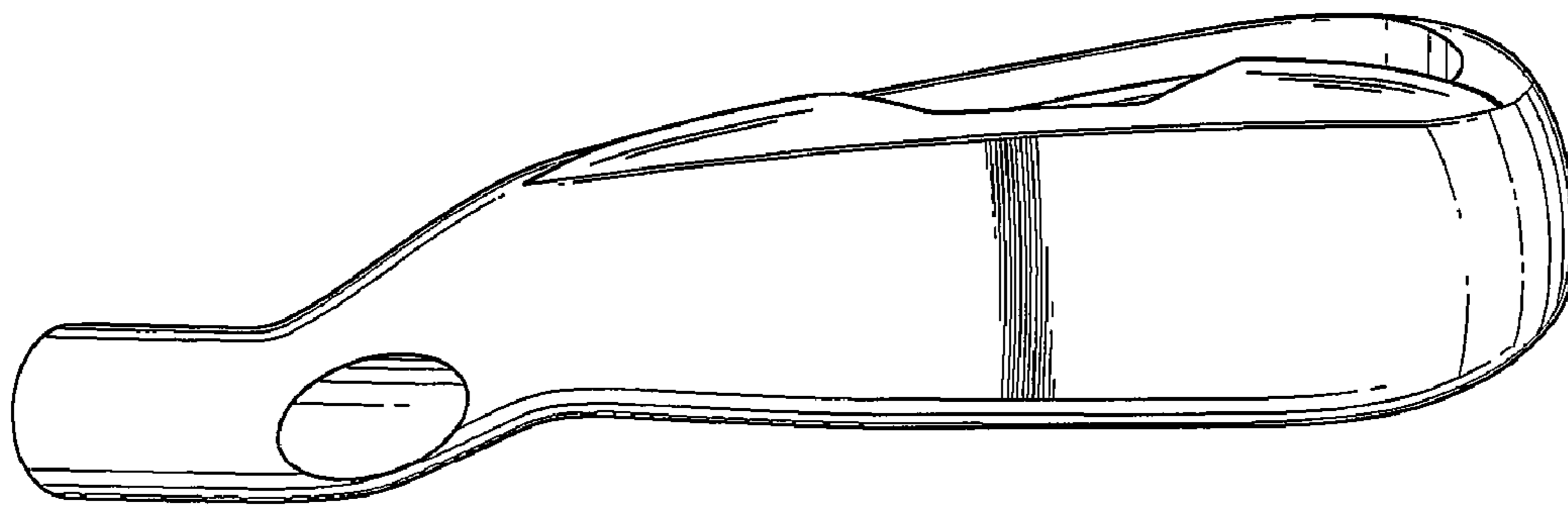


FIG. 5

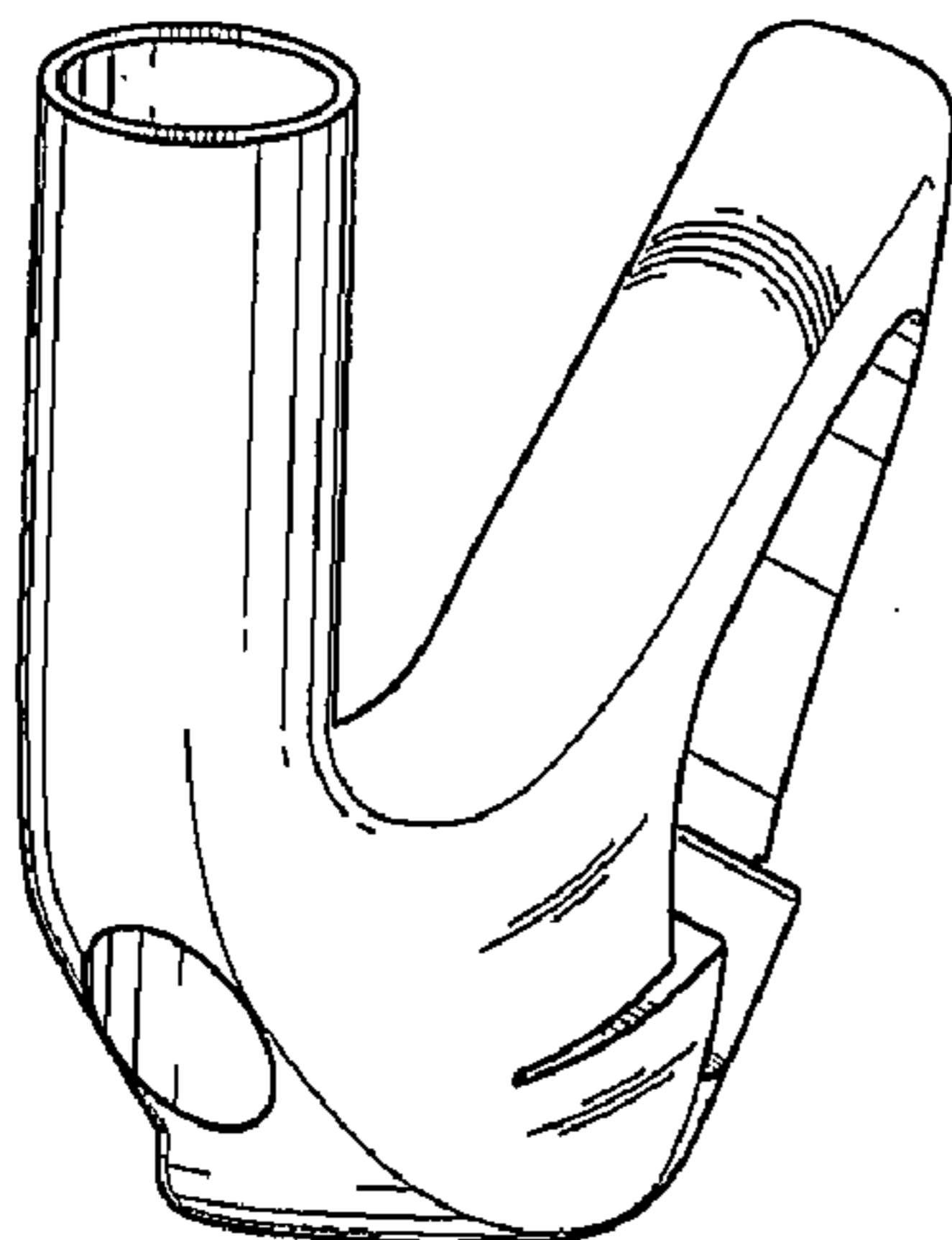


FIG. 6

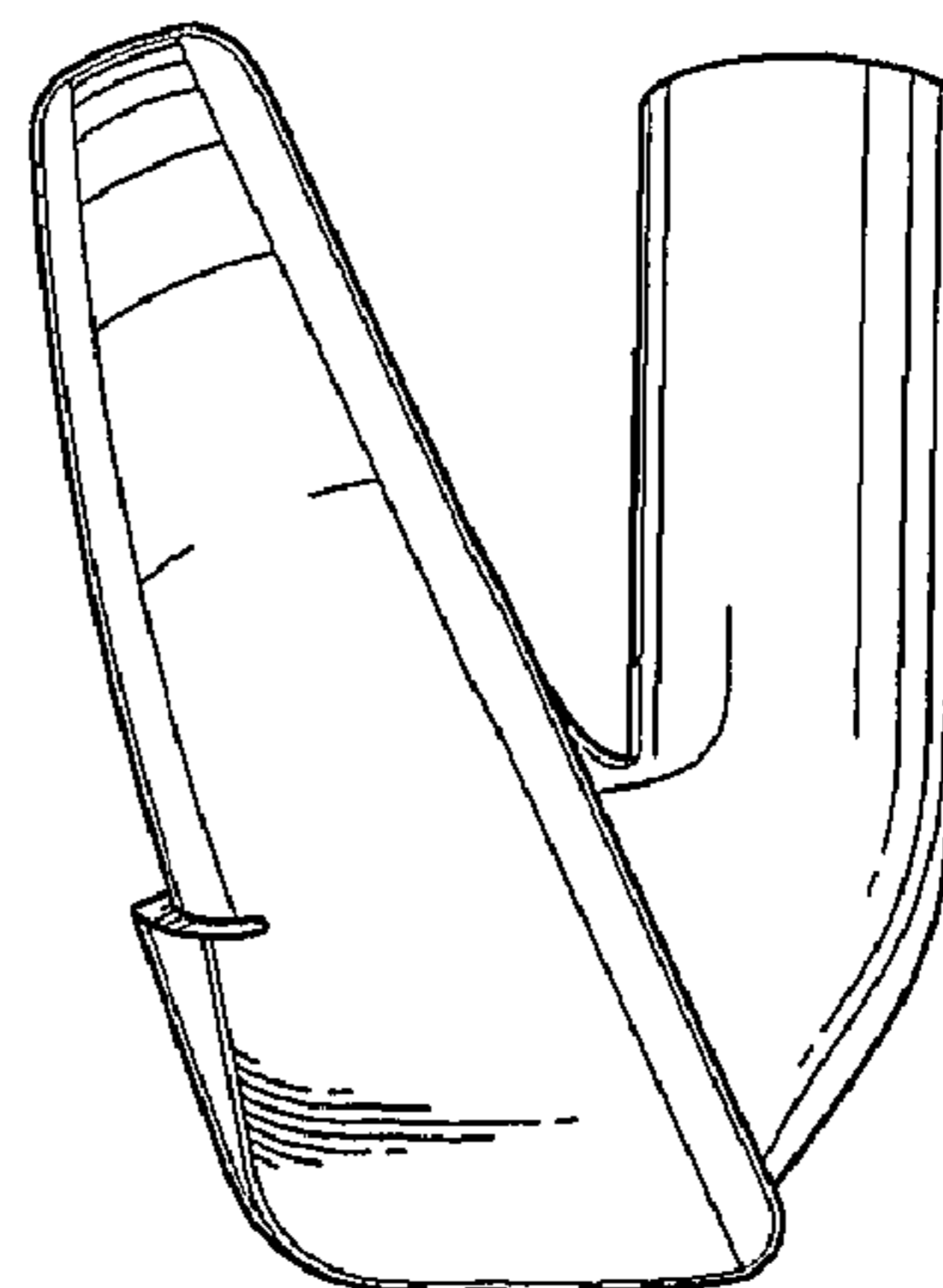


FIG. 7