



US00D556277S

(12) **United States Design Patent**  
**Broom**

(10) **Patent No.:** **US D556,277 S**

(45) **Date of Patent:** **\*\* Nov. 27, 2007**

(54) **GOLF PUTTER HEAD**

(76) Inventor: **Richard P. Broom**, 12663 Manzanita Rd., P.O. Box 10248, Bainbridge Island, WA (US) 98110

(\*\*) Term: **14 Years**

(21) Appl. No.: **29/239,831**

(22) Filed: **Oct. 5, 2005**

(51) **LOC (8) Cl.** ..... **21-02**

(52) **U.S. Cl.** ..... **D21/743**

(58) **Field of Classification Search** ..... D21/736-746;  
473/324-331, 251-256, 340, 341  
See application file for complete search history.

(56) **References Cited**

**U.S. PATENT DOCUMENTS**

D280,004 S *	8/1985	Worster et al.	.....	D21/744
D417,710 S *	12/1999	Broom	.....	D21/736
D432,608 S *	10/2000	Broom	.....	D21/744
D438,923 S *	3/2001	Broom	.....	D21/744
D495,018 S *	8/2004	Ruffin	.....	D21/736

\* cited by examiner

*Primary Examiner*—Mitchell Siegel  
(74) *Attorney, Agent, or Firm*—Black Lowe & Graham PLLC

(57) **CLAIM**

The ornamental design for a golf putter head, as shown and described.

**DESCRIPTION**

FIG. 1 is a top, right rear perspective view of my golf putter head.

FIG. 2 is a top plan view thereof.

FIG. 3 is a bottom plan view thereof.

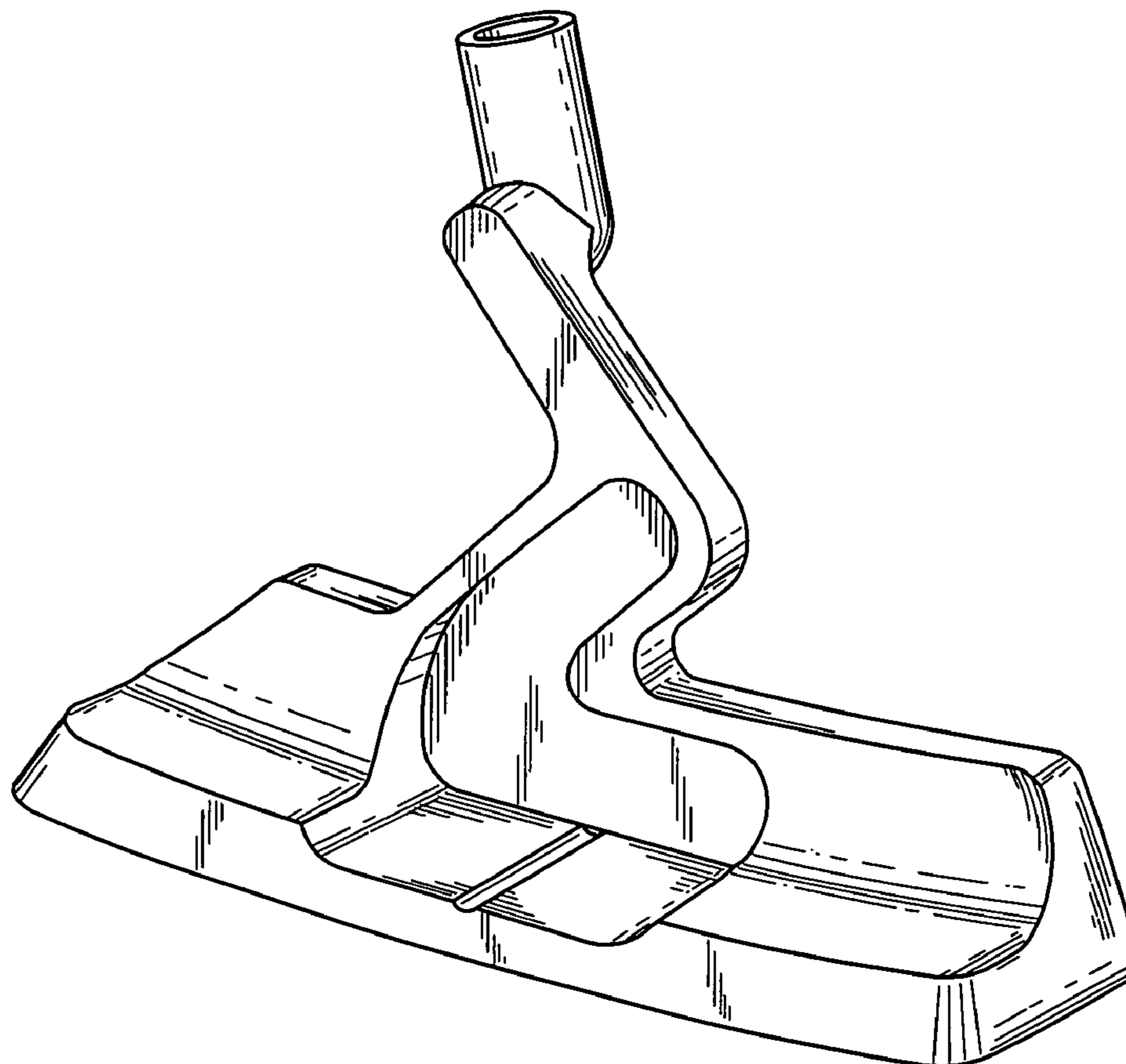
FIG. 4 is a front elevational view thereof.

FIG. 5 is a rear elevational view thereof.

FIG. 6 is a right side elevational view thereof; and,

FIG. 7 is a left side elevational view thereof.

**1 Claim, 3 Drawing Sheets**



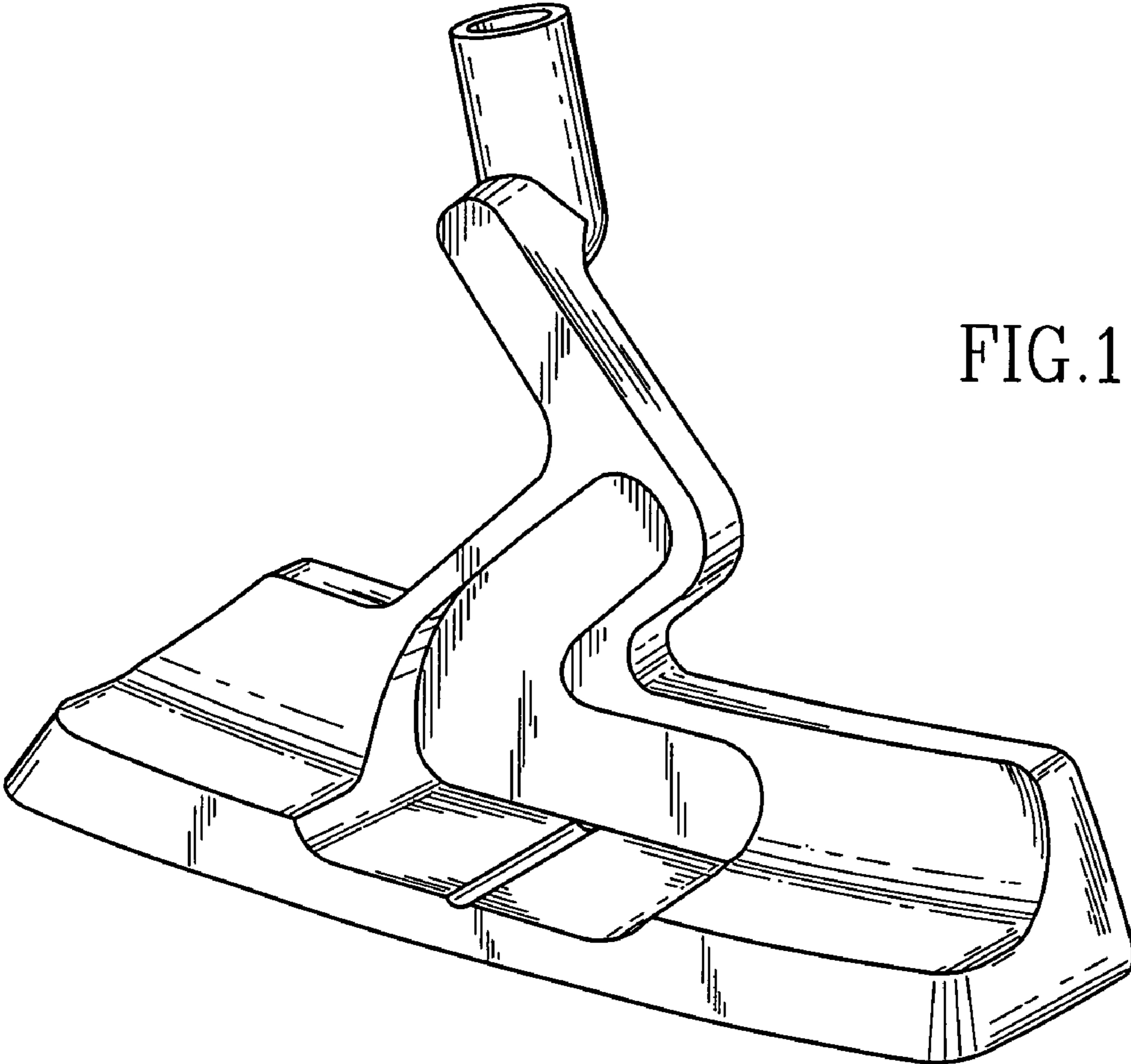


FIG.1

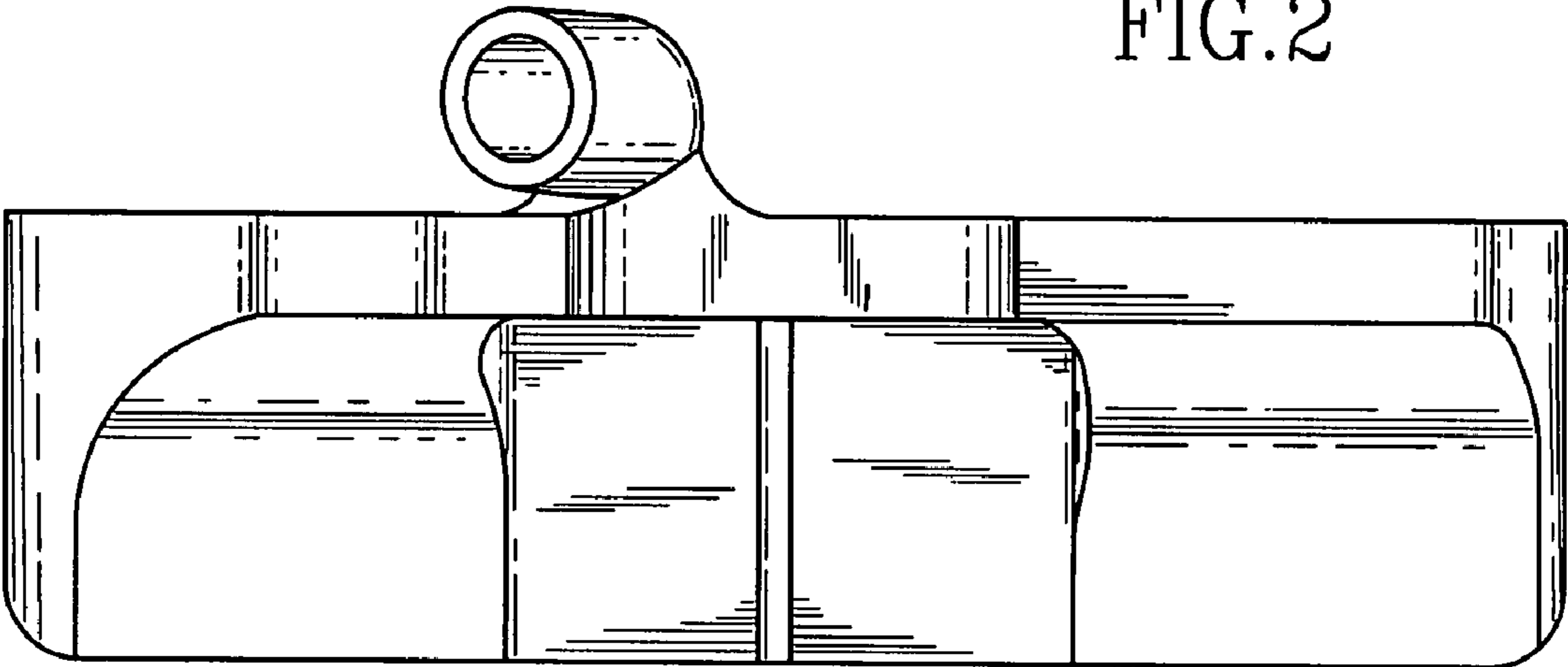


FIG.2

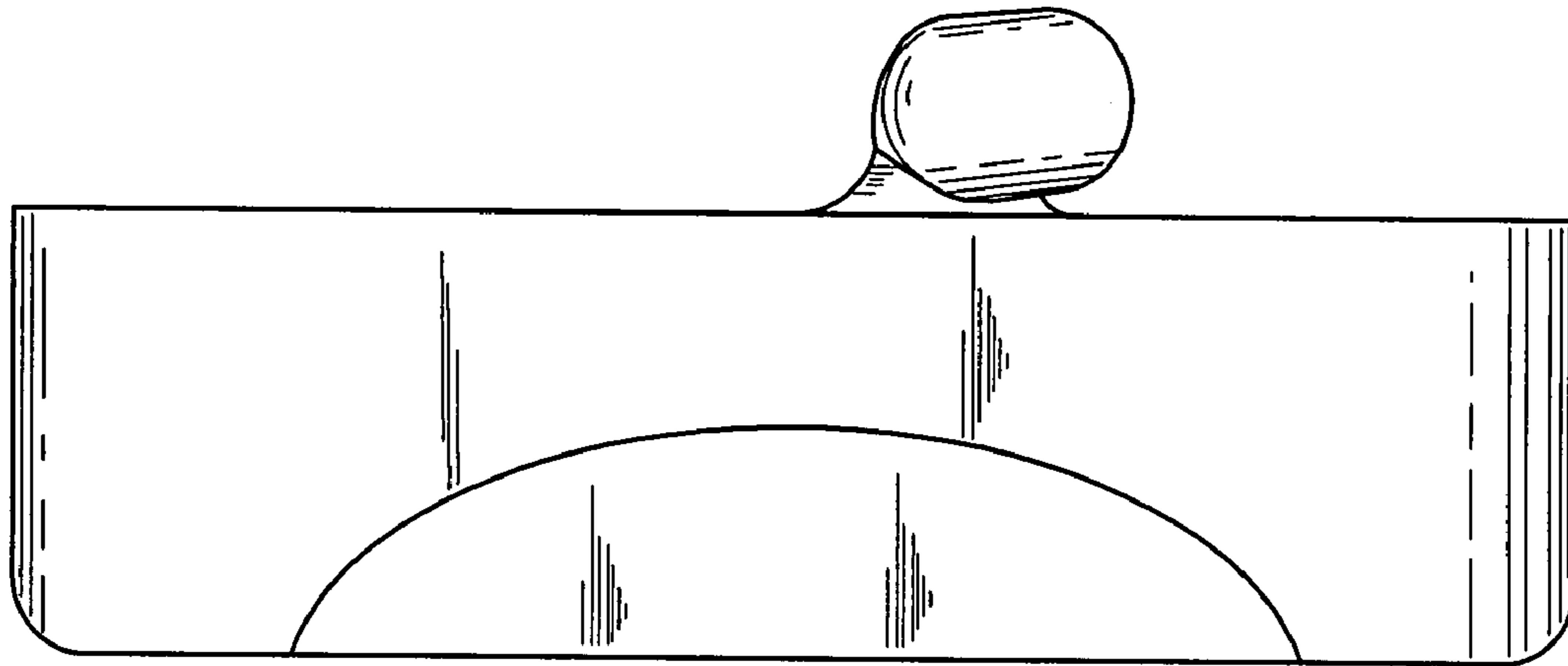


FIG. 3

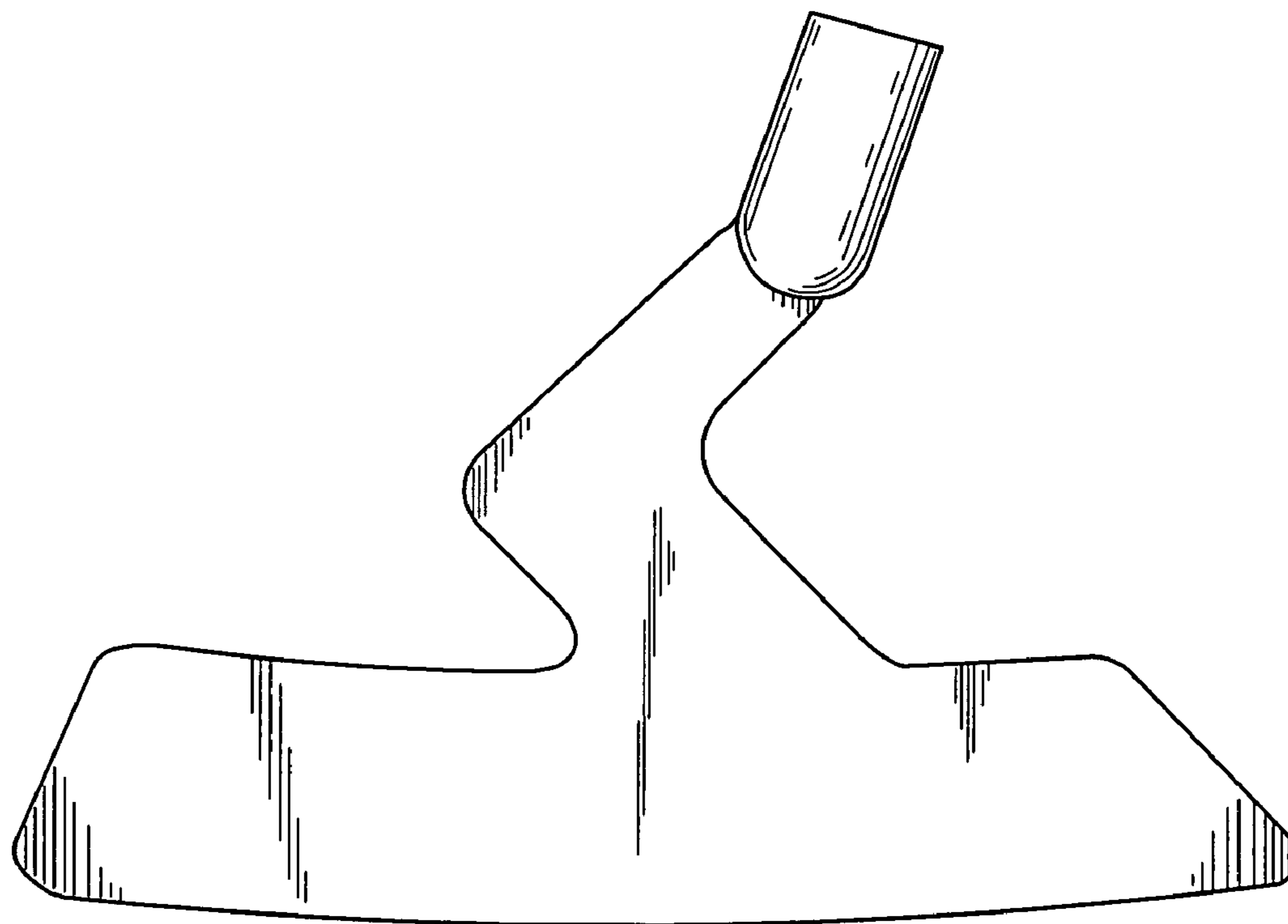


FIG. 4

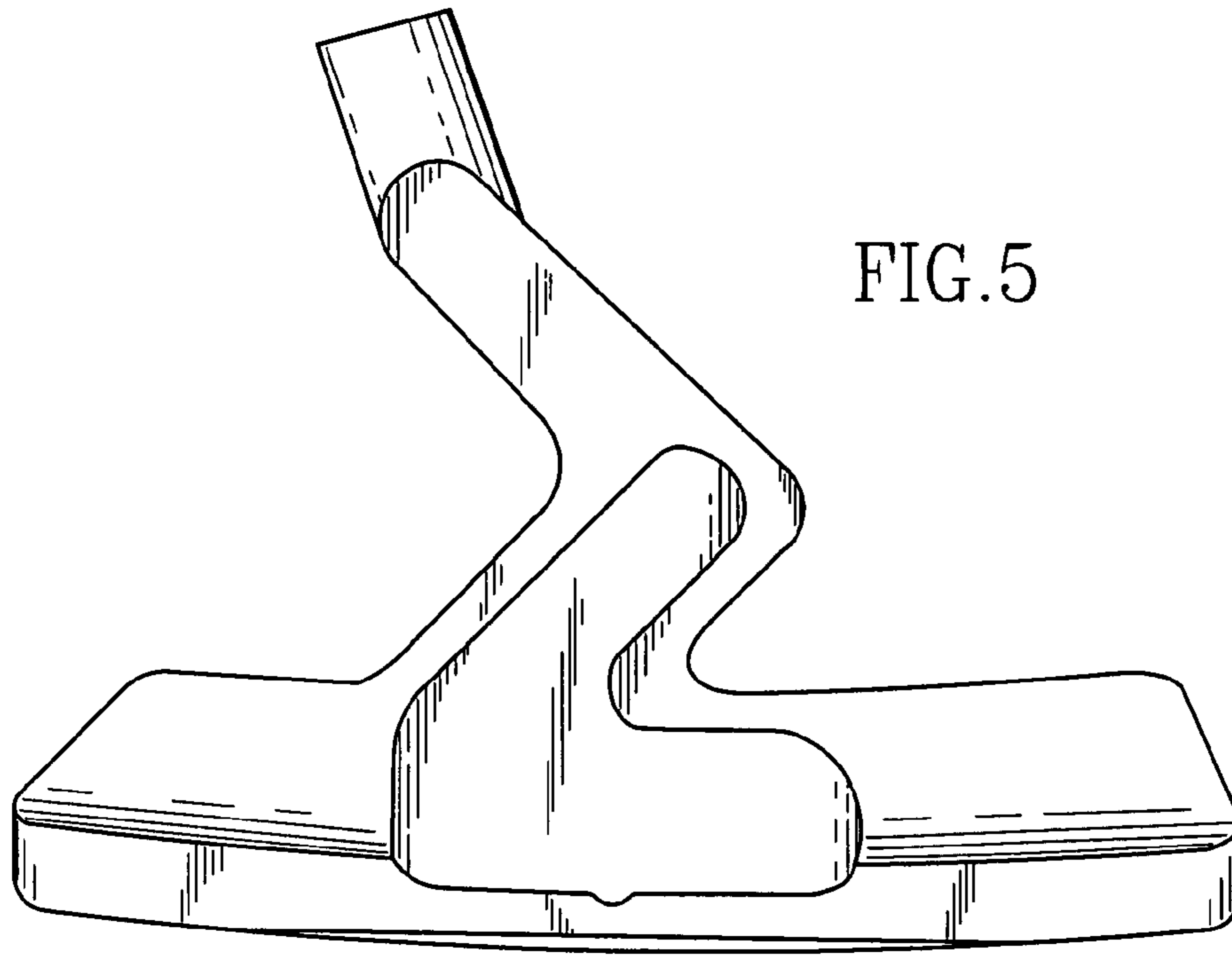


FIG. 5

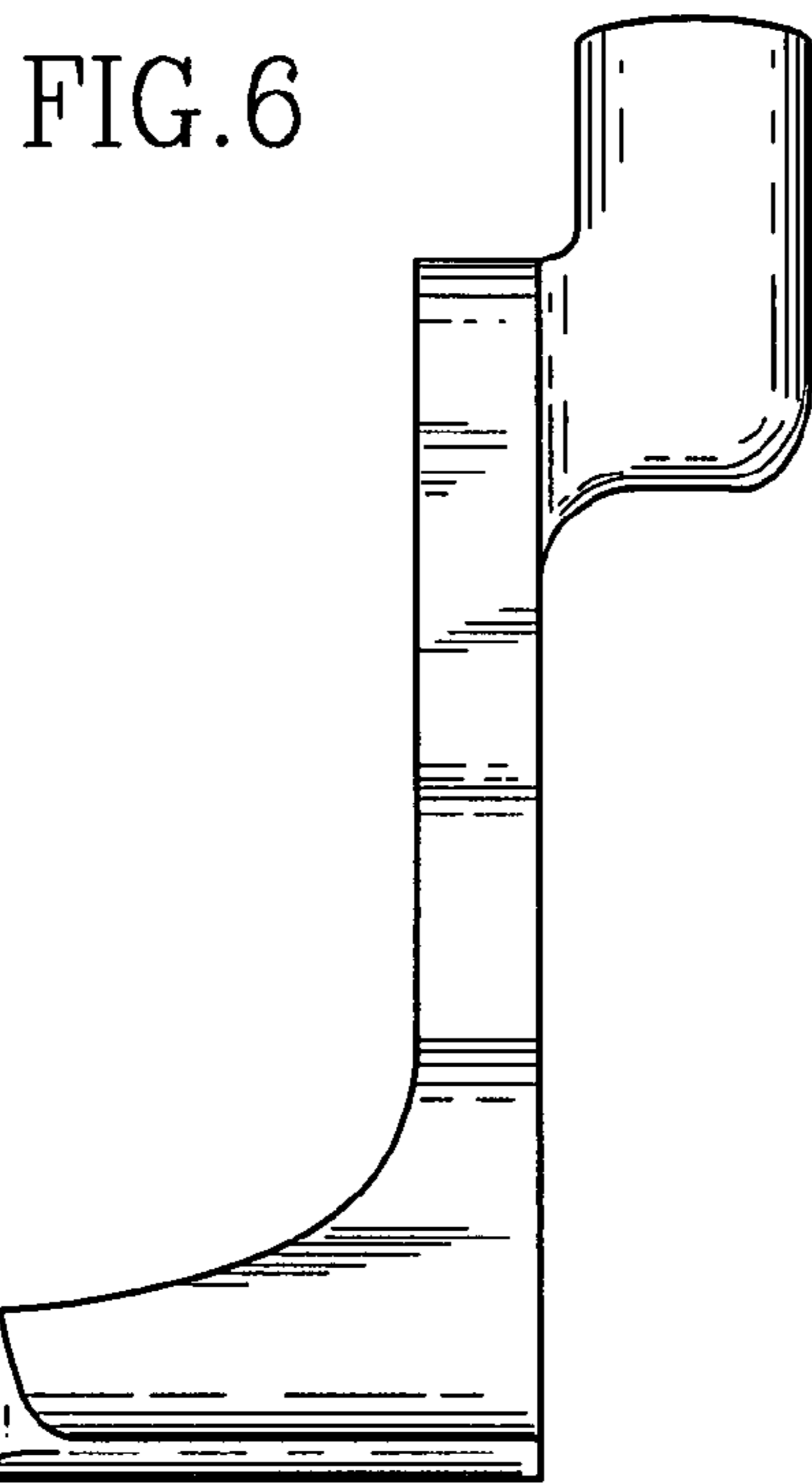


FIG. 6

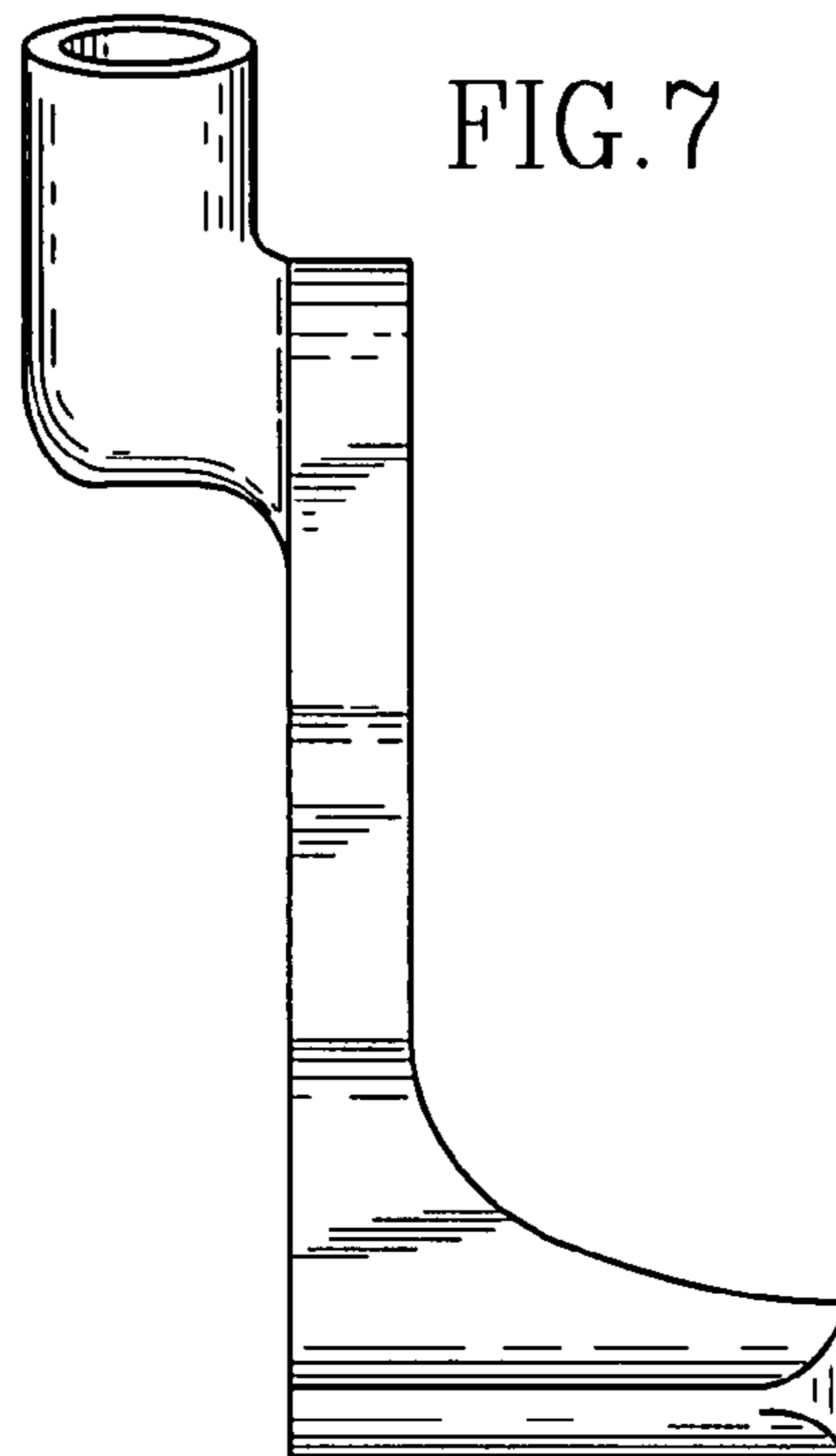


FIG. 7