



US00D556274S

(12) **United States Design Patent**
Morgan

(10) **Patent No.:** **US D556,274 S**

(45) **Date of Patent:** **** Nov. 27, 2007**

(54) **EXERCISE ASSEMBLY**

(75) Inventor: **Howard Morgan**, Saffron Walden (GB)

(73) Assignee: **JustWise Group Ltd.**, Essex (GB)

(**) Term: **14 Years**

(21) Appl. No.: **29/256,137**

(22) Filed: **Mar. 16, 2006**

(51) **LOC (8) Cl.** **21-02**

(52) **U.S. Cl.** **D21/662; D21/673**

(58) **Field of Classification Search** D21/662,
D21/674, 675, 676, 686, 690, 691, 673; 482/95,
482/96, 97, 98, 104, 129, 130, 133, 137,
482/138, 140, 142

See application file for complete search history.

(56) **References Cited**

U.S. PATENT DOCUMENTS

4,004,801	A *	1/1977	Campanaro et al.	482/96
4,706,953	A *	11/1987	Graham	482/96
4,911,438	A *	3/1990	Van Straaten	482/96
D314,027	S *	1/1991	Lo	D21/674
D362,700	S *	9/1995	Breibart et al.	D21/673
D382,319	S *	8/1997	Gerschefske et al.	D21/674
D405,132	S *	2/1999	Westfall et al.	D21/676

5,967,955	A *	10/1999	Westfall et al.	482/142
6,692,412	B2 *	2/2004	Chen et al.	482/96
D493,853	S *	8/2004	Campanaro et al.	D21/676
6,921,355	B2 *	7/2005	Campanaro et al.	482/95
7,179,207	B2 *	2/2007	Gerschefske	482/95

* cited by examiner

Primary Examiner—Philip S. Hyder

(74) *Attorney, Agent, or Firm*—Alan Kamrath; Kamrath & Associates P.A.

(57) **CLAIM**

The ornamental design for an exercise assembly, as shown and described.

DESCRIPTION

FIG. 1 is a perspective view of an exercise assembly, showing my new design;

FIG. 2 is a front elevational view thereof, wherein the rear elevational view is a mirror image thereof;

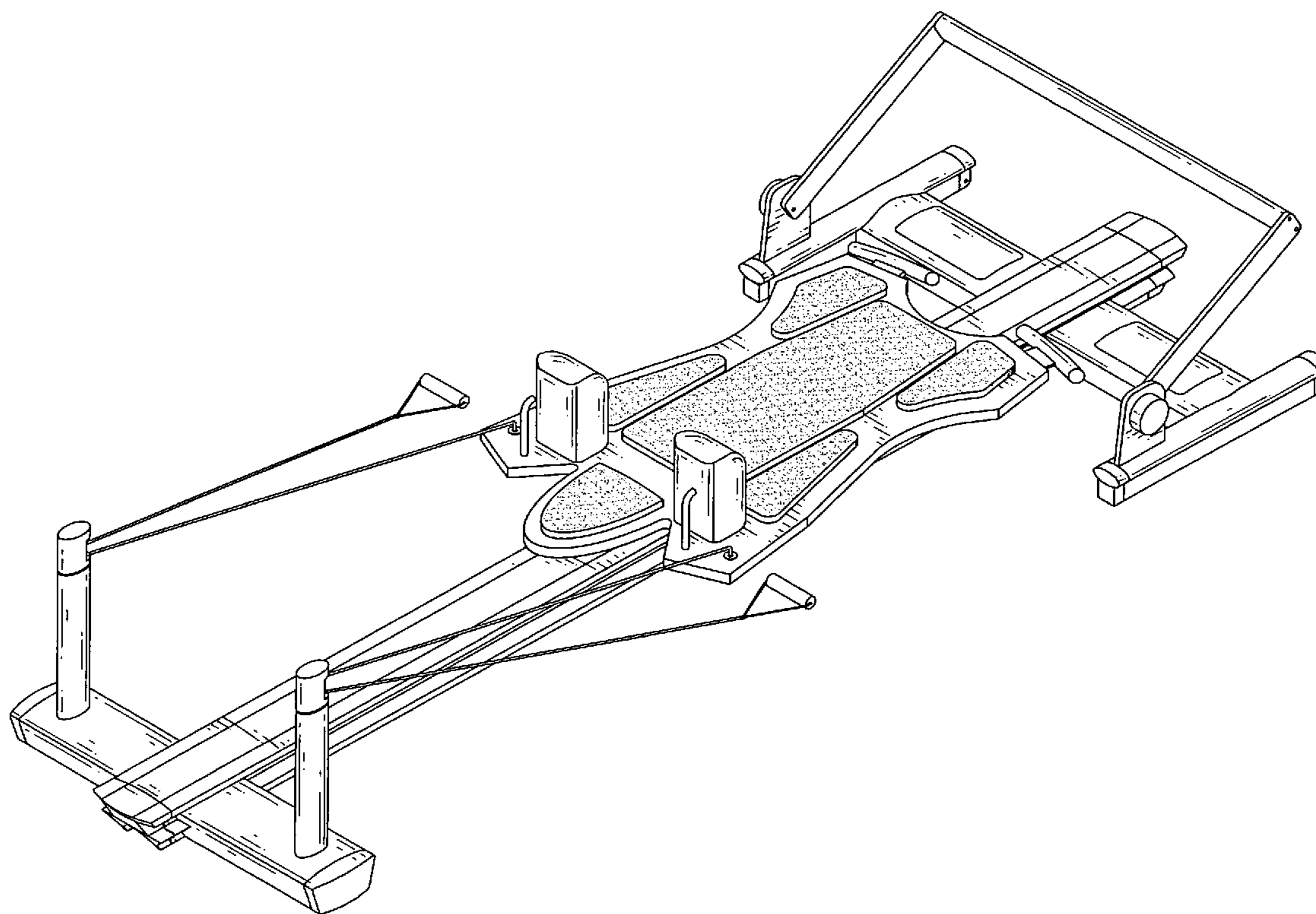
FIG. 3 is a left elevational view thereof;

FIG. 4 is a right elevational view thereof;

FIG. 5 is top plan view thereof; and,

FIG. 6 is a bottom plan view thereof.

1 Claim, 5 Drawing Sheets



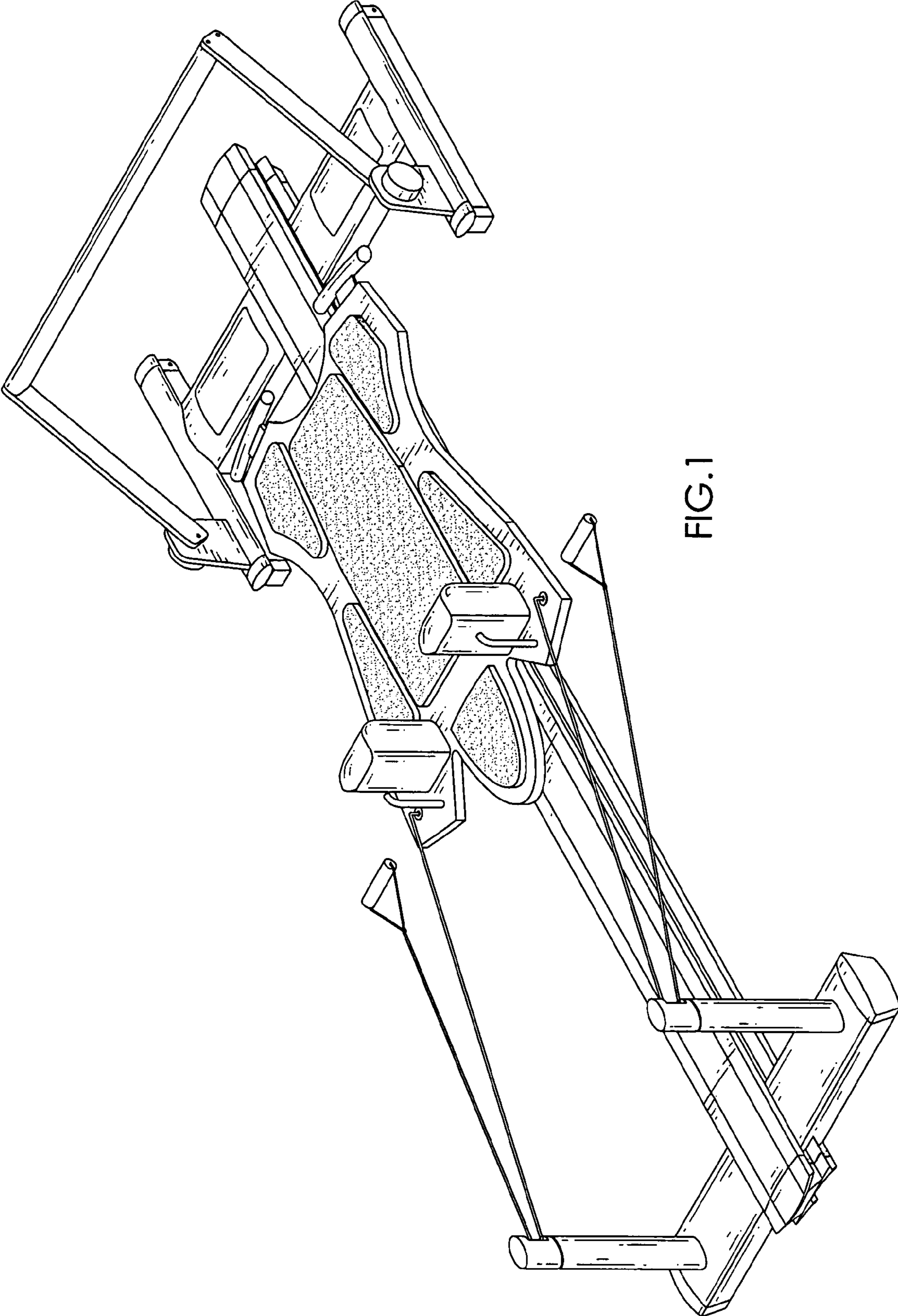


FIG.1

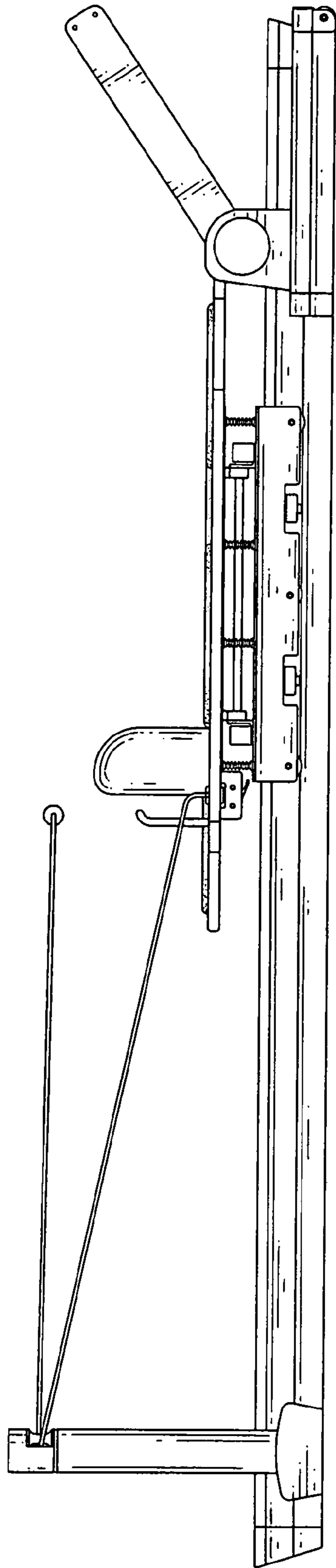


FIG.2

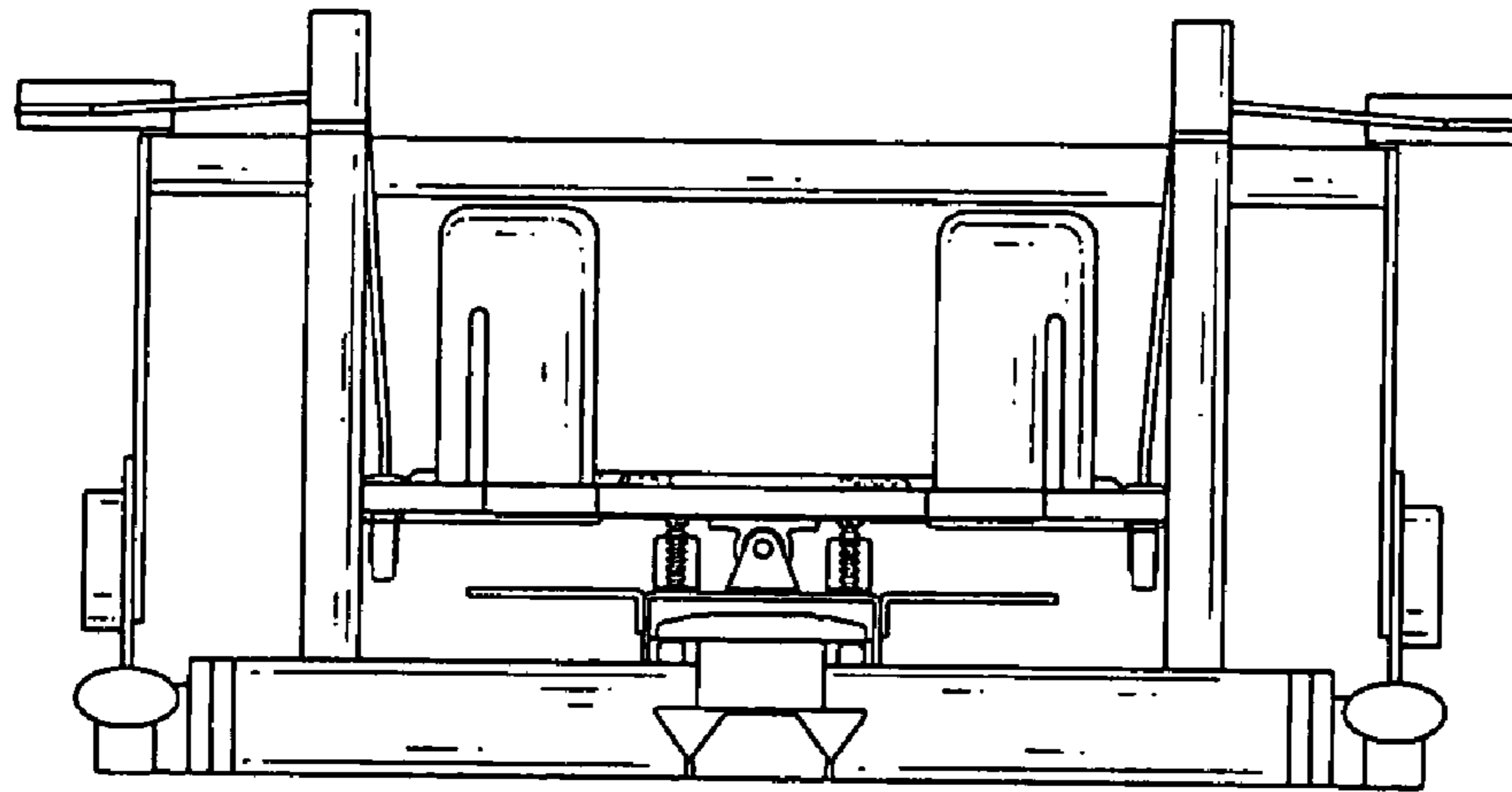


FIG.3

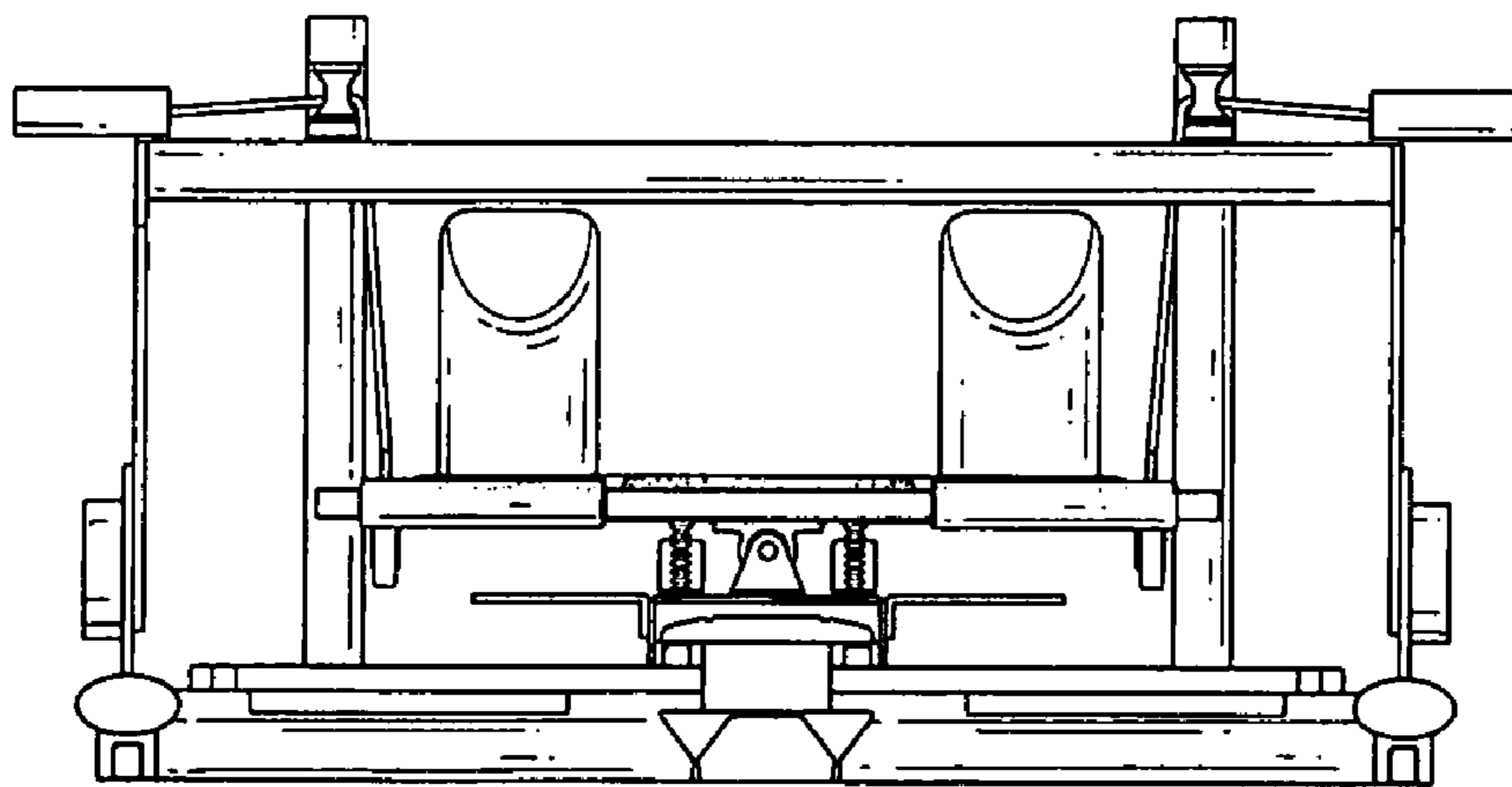


FIG.4

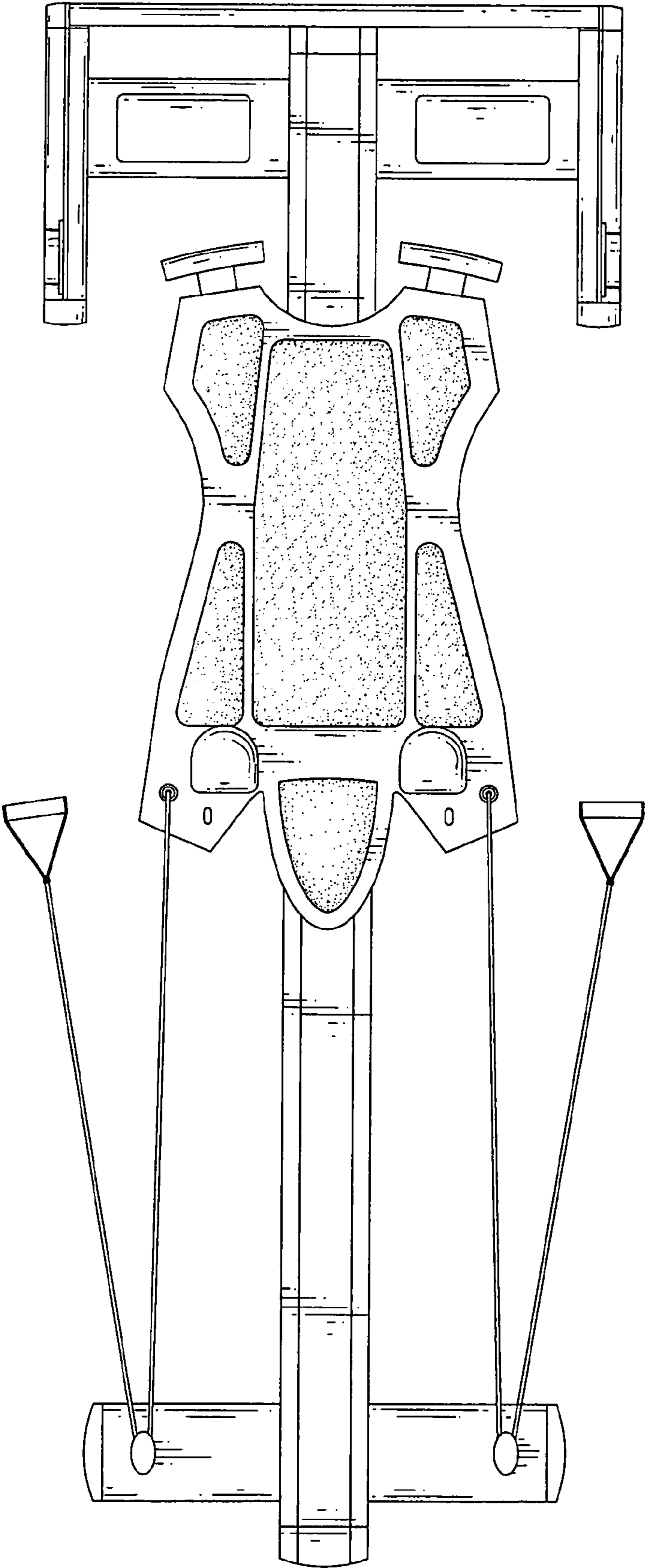


FIG.5

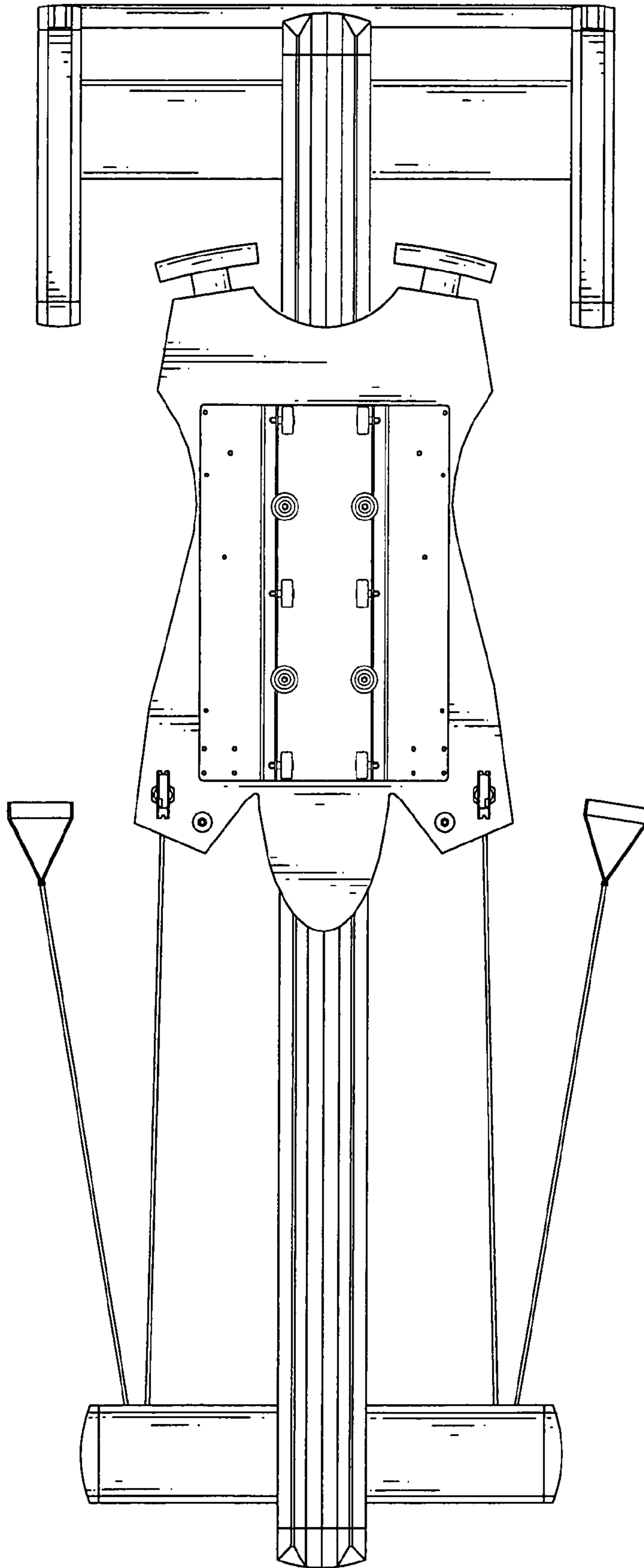


FIG. 6