



US00D556271S

(12) **United States Design Patent**  
**Glickman et al.**

(10) **Patent No.:** **US D556,271 S**

(45) **Date of Patent:** **\*\* Nov. 27, 2007**

(54) **CONSTRUCTION TOY COMPONENT**

(75) Inventors: **Joel Glickman**, Jupiter, FL (US);  
**Matthias F. W. Doepner**, Harleysville,  
PA (US)

(73) Assignee: **K'NEX Limited Partnership Group**,  
Hatfield, PA (US)

(\*\*) Term: **14 Years**

(21) Appl. No.: **29/276,836**

(22) Filed: **Feb. 7, 2007**

(51) **LOC (8) Cl.** ..... **21-01**

(52) **U.S. Cl.** ..... **D21/505**

(58) **Field of Classification Search** ..... D21/484-505;  
D25/113-118; 446/69, 85, 101-128  
See application file for complete search history.

(56) **References Cited**

**U.S. PATENT DOCUMENTS**

D304,042 S *	10/1989	Poulsen	.....	D21/453
D326,874 S *	6/1992	Dideriksen et al.	.....	D21/486
D409,676 S *	5/1999	Toft	.....	D21/486
D411,262 S *	6/1999	Toft	.....	D21/486
6,200,187 B1 *	3/2001	Olsen et al.	.....	446/122

**OTHER PUBLICATIONS**

Peeron.com, <http://www.peeron.com/inv/parts/42061px1>, Admitted  
Prior Art, ("undated").

Peeron.com, <http://www.peeron.com/cgi-bin/invcgis/inv/sets/7133-1?withpics=yes>, Admitted Prior Art, ("undated").

\* cited by examiner

*Primary Examiner*—Holly H. Baynham

*Assistant Examiner*—Cynthia M. Chin

(74) *Attorney, Agent, or Firm*—Schweitzer Cornman Gross  
& Bondell LLP

(57) **CLAIM**

The ornamental design for a construction toy component, as  
shown and described.

**DESCRIPTION**

FIG. 1 is a top perspective view of a first embodiment of a  
construction toy component;

FIG. 2 is a top plan view of the construction toy component  
of FIG. 1;

FIG. 3 is a side elevation view of the construction toy  
component of FIG. 1;

FIG. 4 is an opposite side elevation view of the construction  
toy component of FIG. 1;

FIG. 5 is a front elevation view of the construction toy  
component of FIG. 1;

FIG. 6 is a rear elevation view of the construction toy  
component of FIG. 1;

FIG. 7 is a top perspective view of a second embodiment of  
a construction toy component;

FIG. 8 is a top plan view of the construction toy component  
of FIG. 7;

FIG. 9 is a side elevation view of the construction toy  
component of FIG. 7;

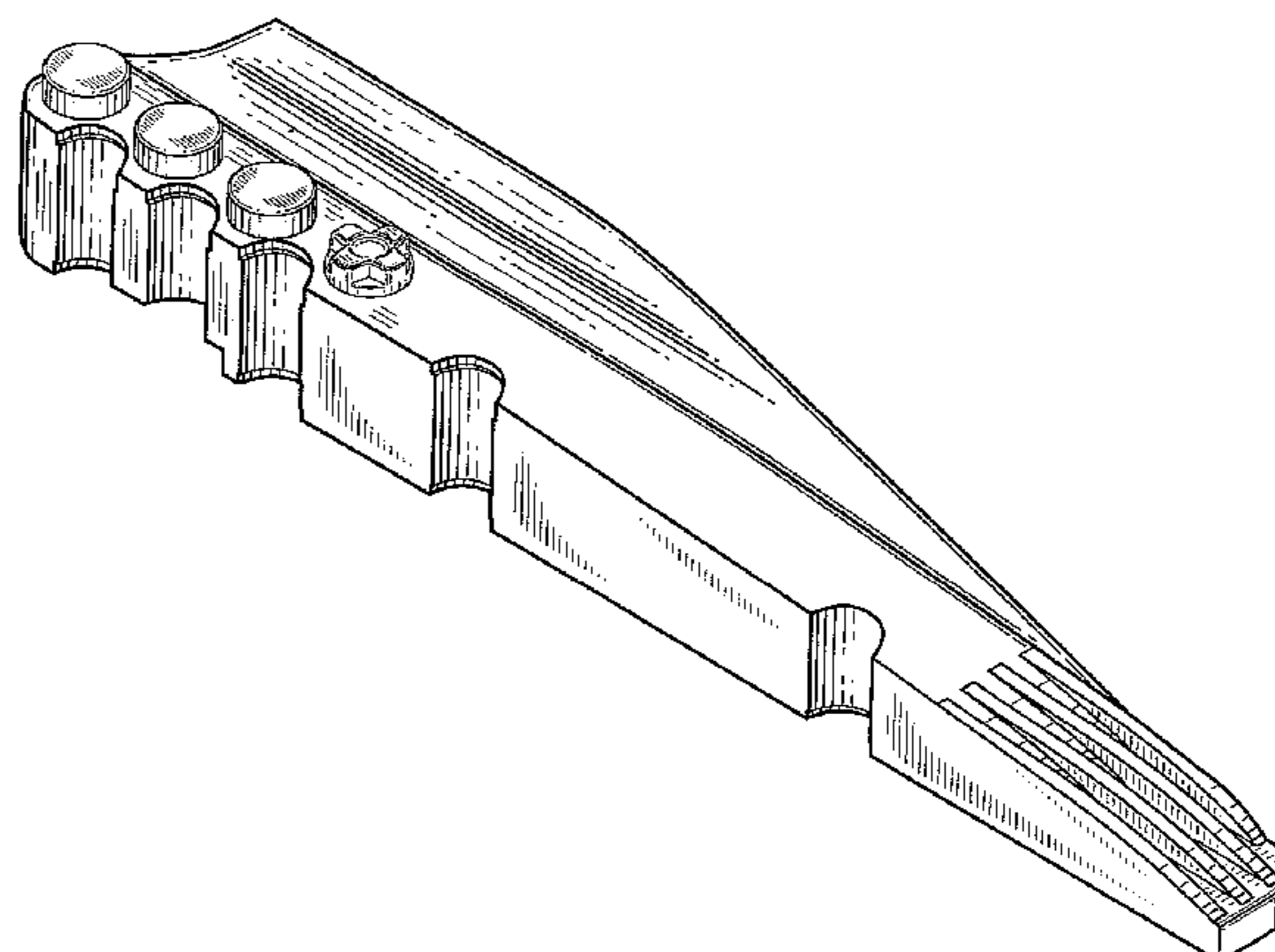
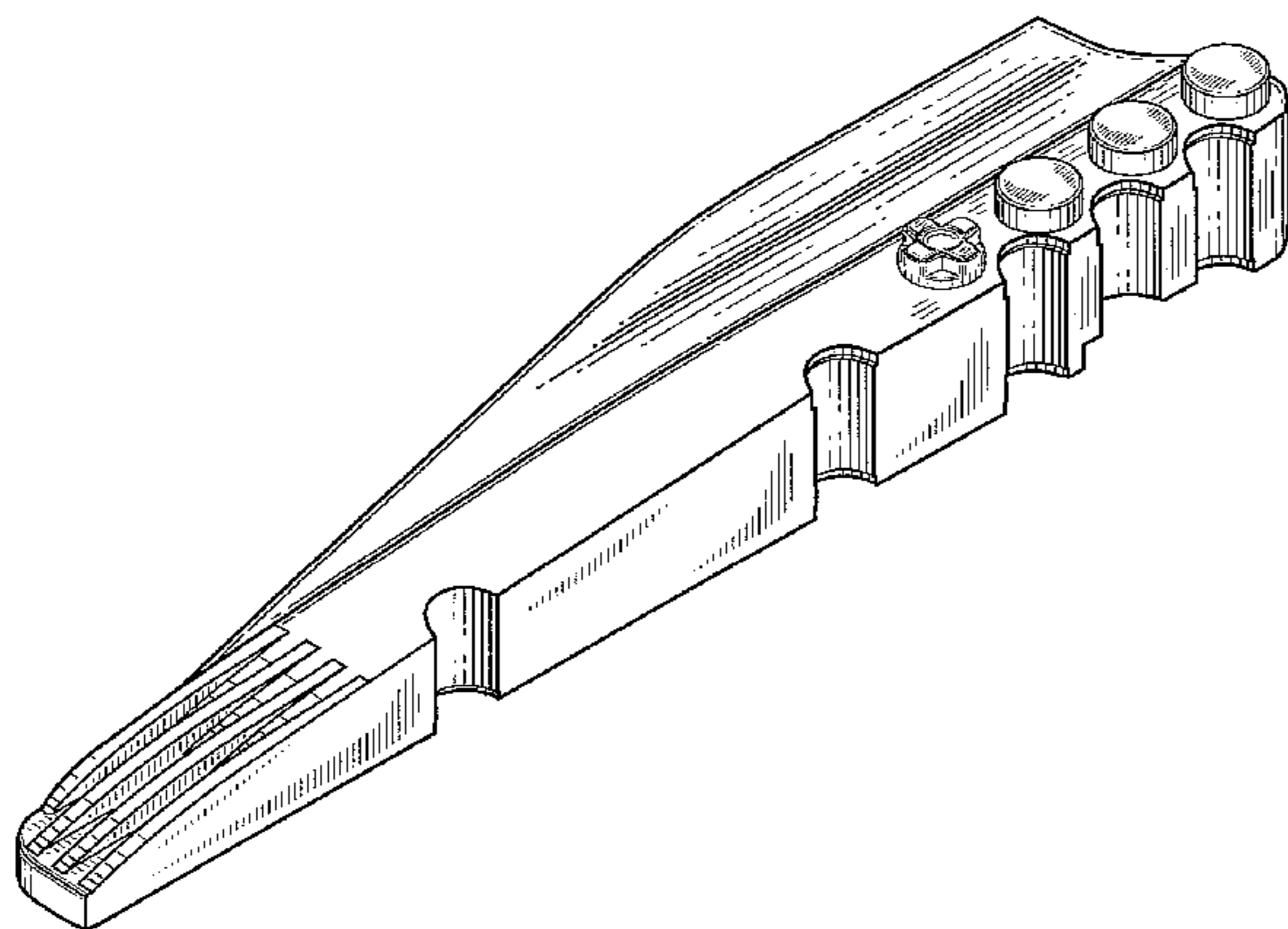
FIG. 10 is an opposite side elevation view of the construc-  
tion toy component of FIG. 7;

FIG. 11 is a front elevation view of the construction toy  
component of FIG. 7; and,

FIG. 12 is a rear elevation view of the construction toy  
component of FIG. 7.

The bottom forms no part of the claimed design.

**1 Claim, 8 Drawing Sheets**



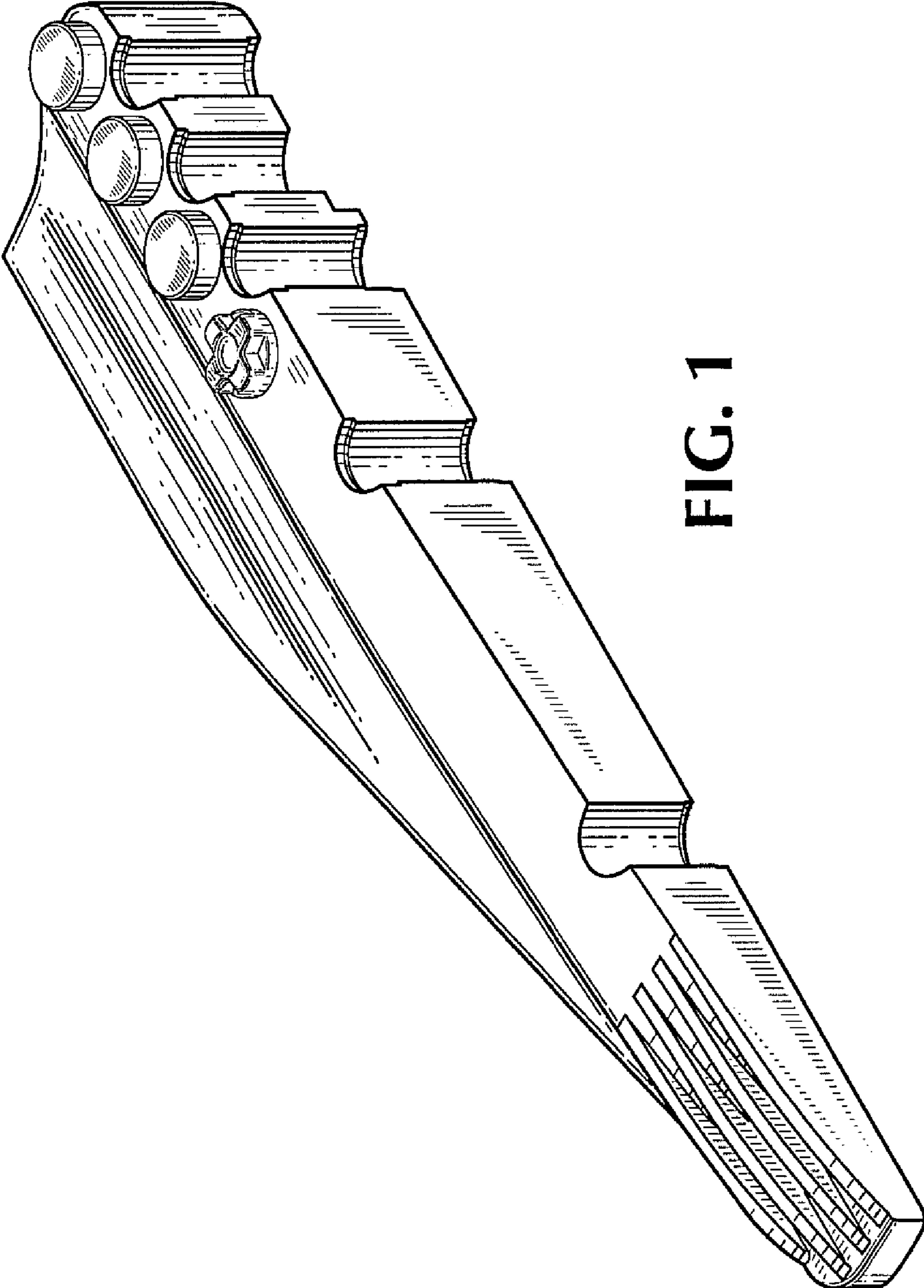


FIG. 1

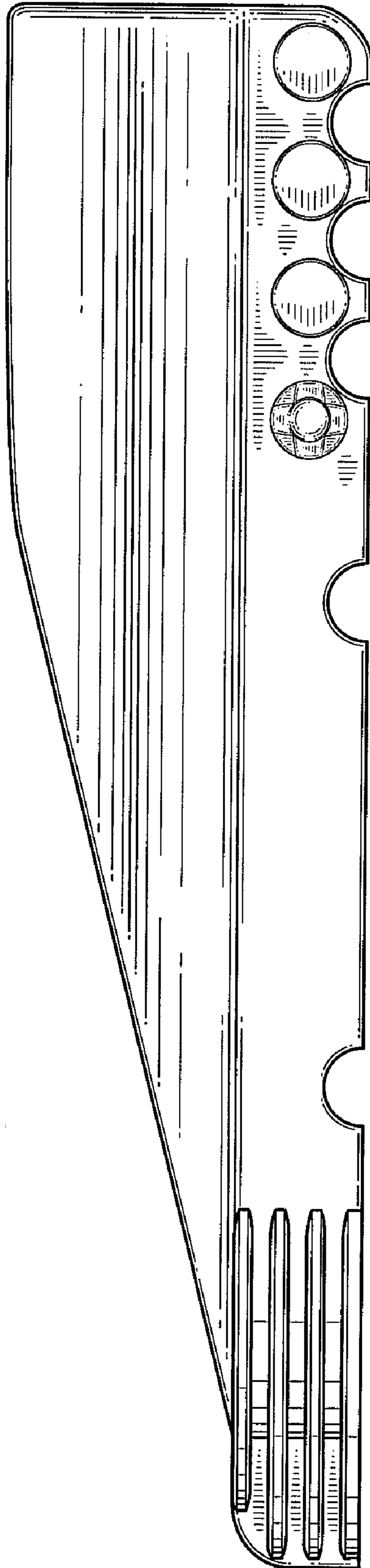


FIG. 2

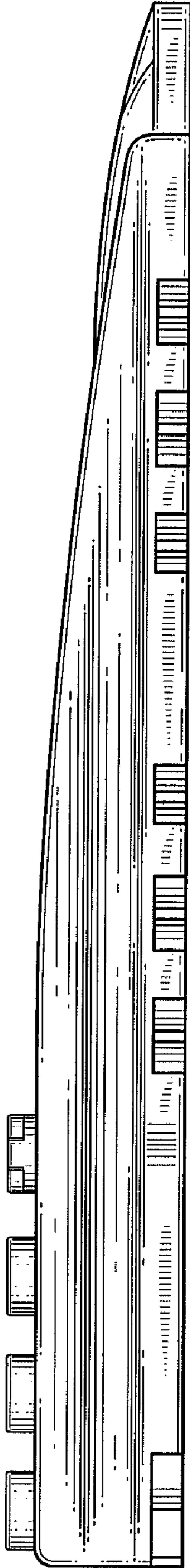


FIG. 3

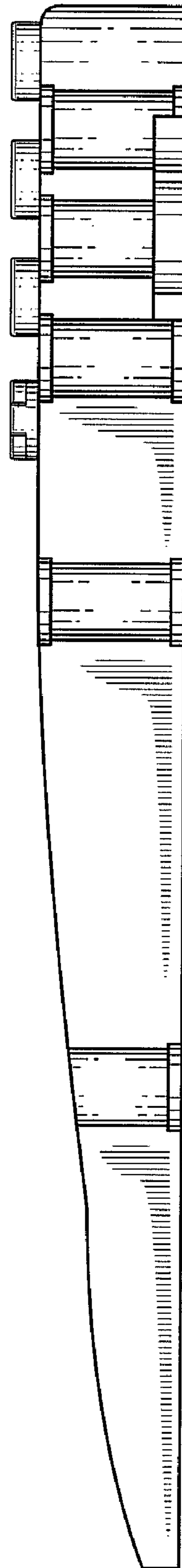


FIG. 4

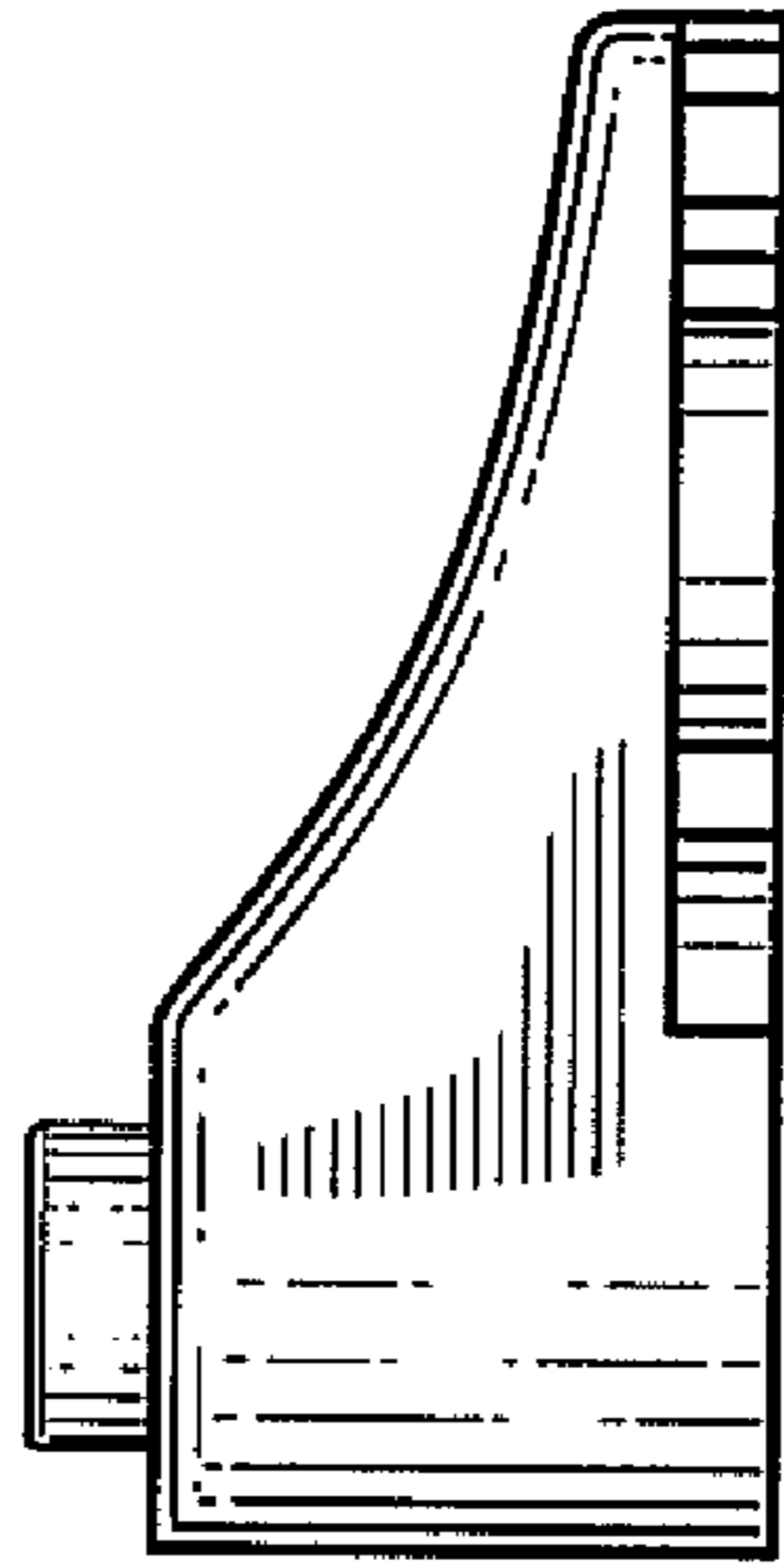


FIG. 6

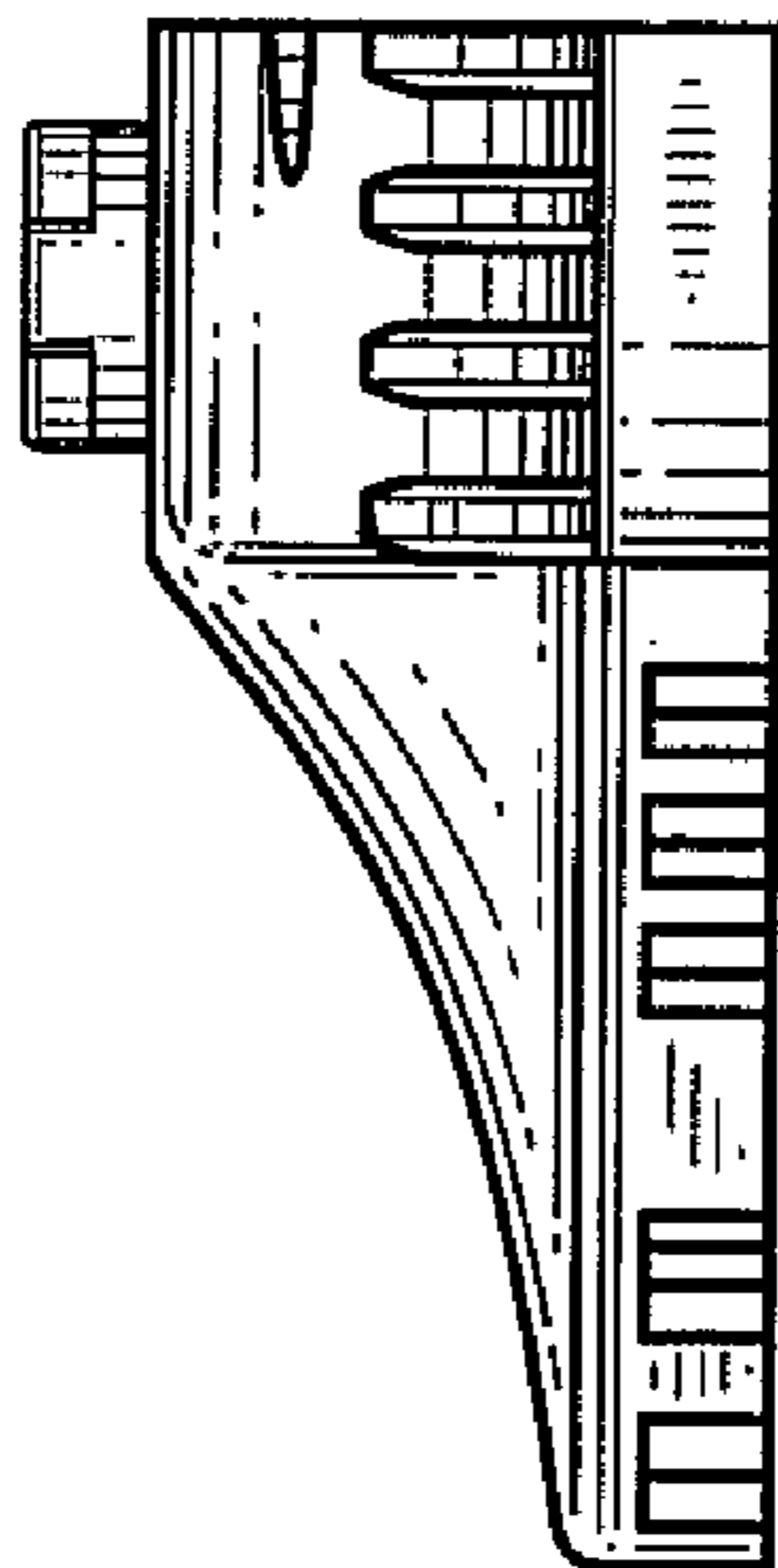


FIG. 5



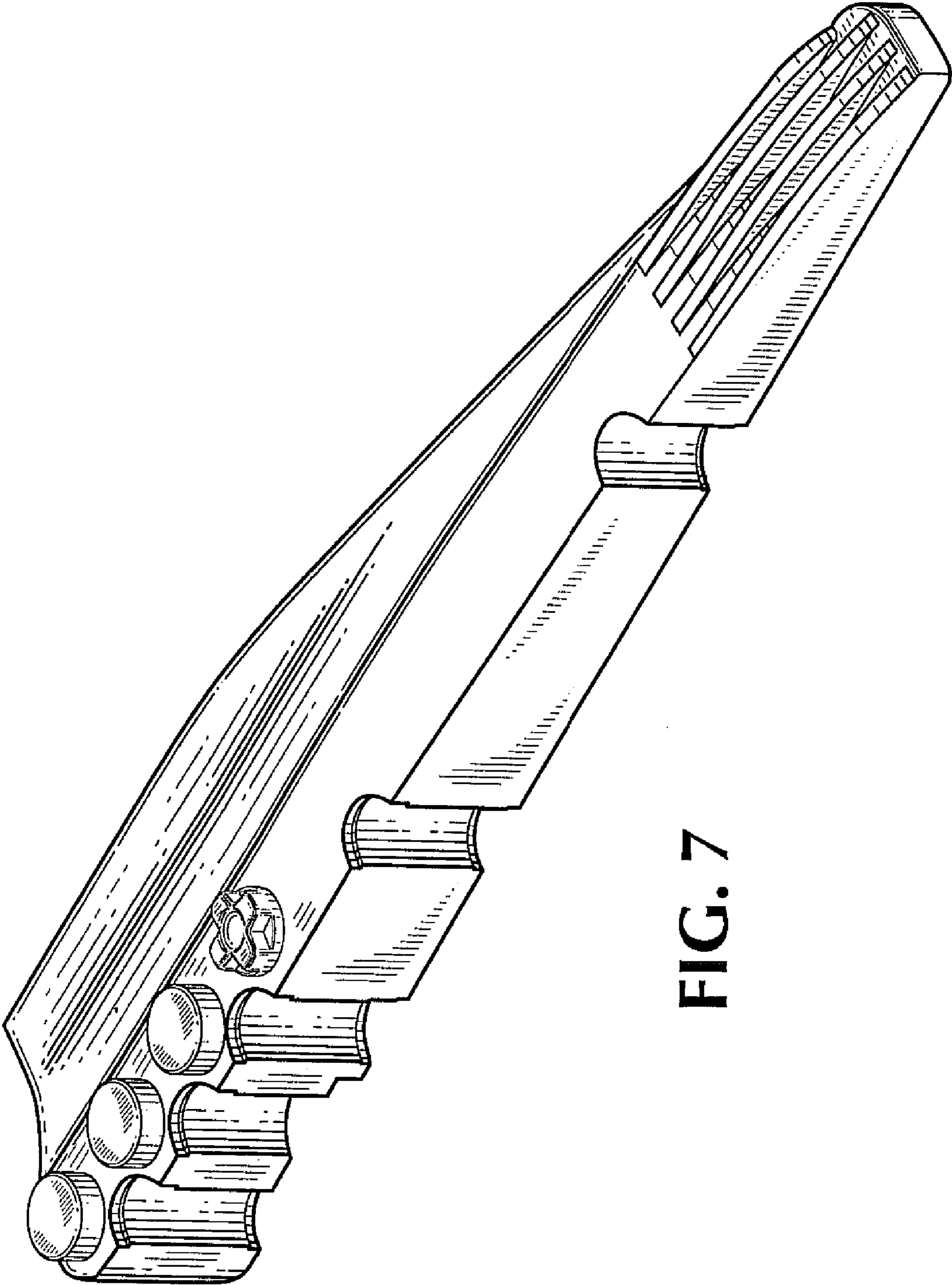


FIG. 7

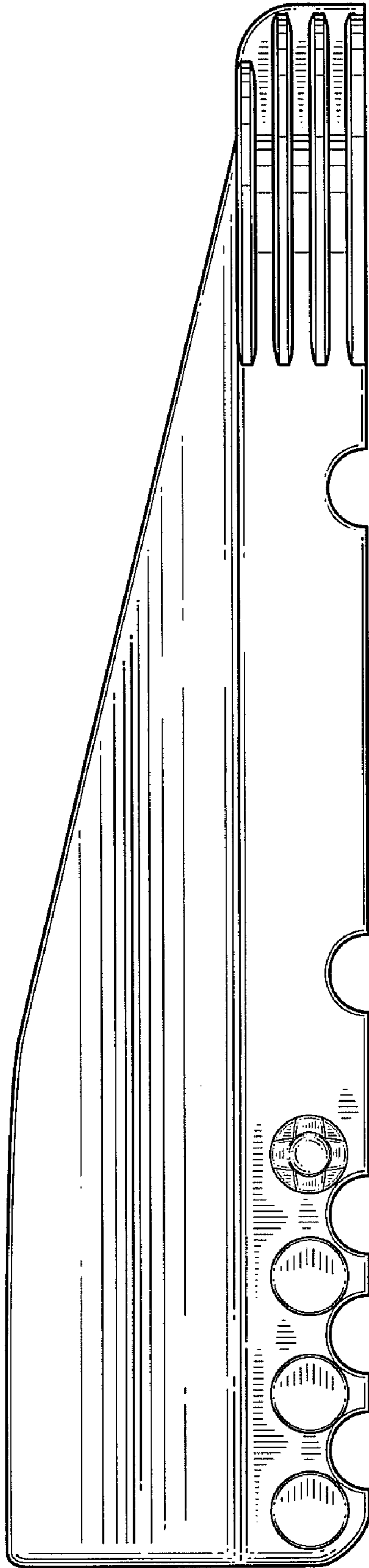


FIG. 8

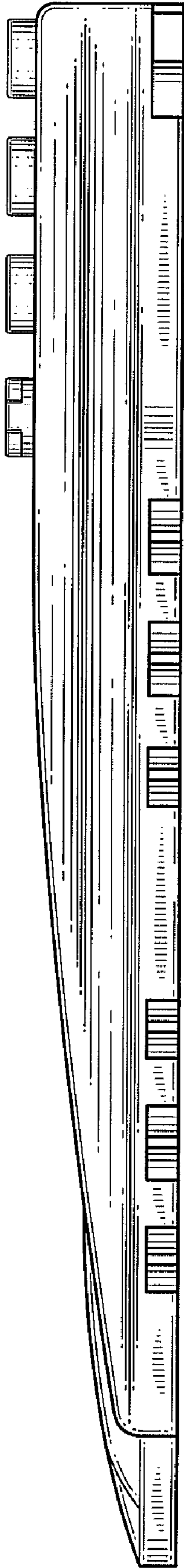


FIG. 9

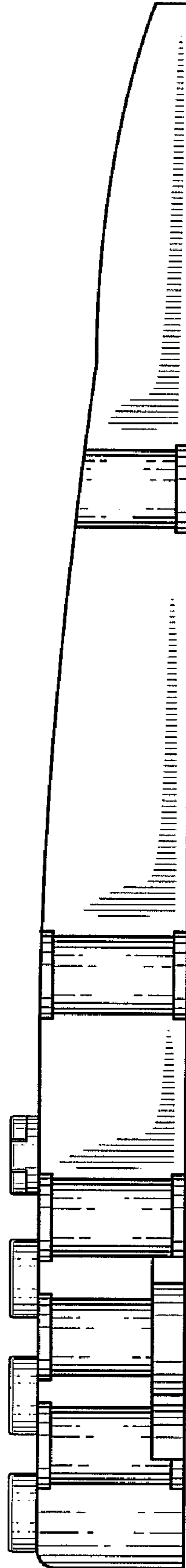
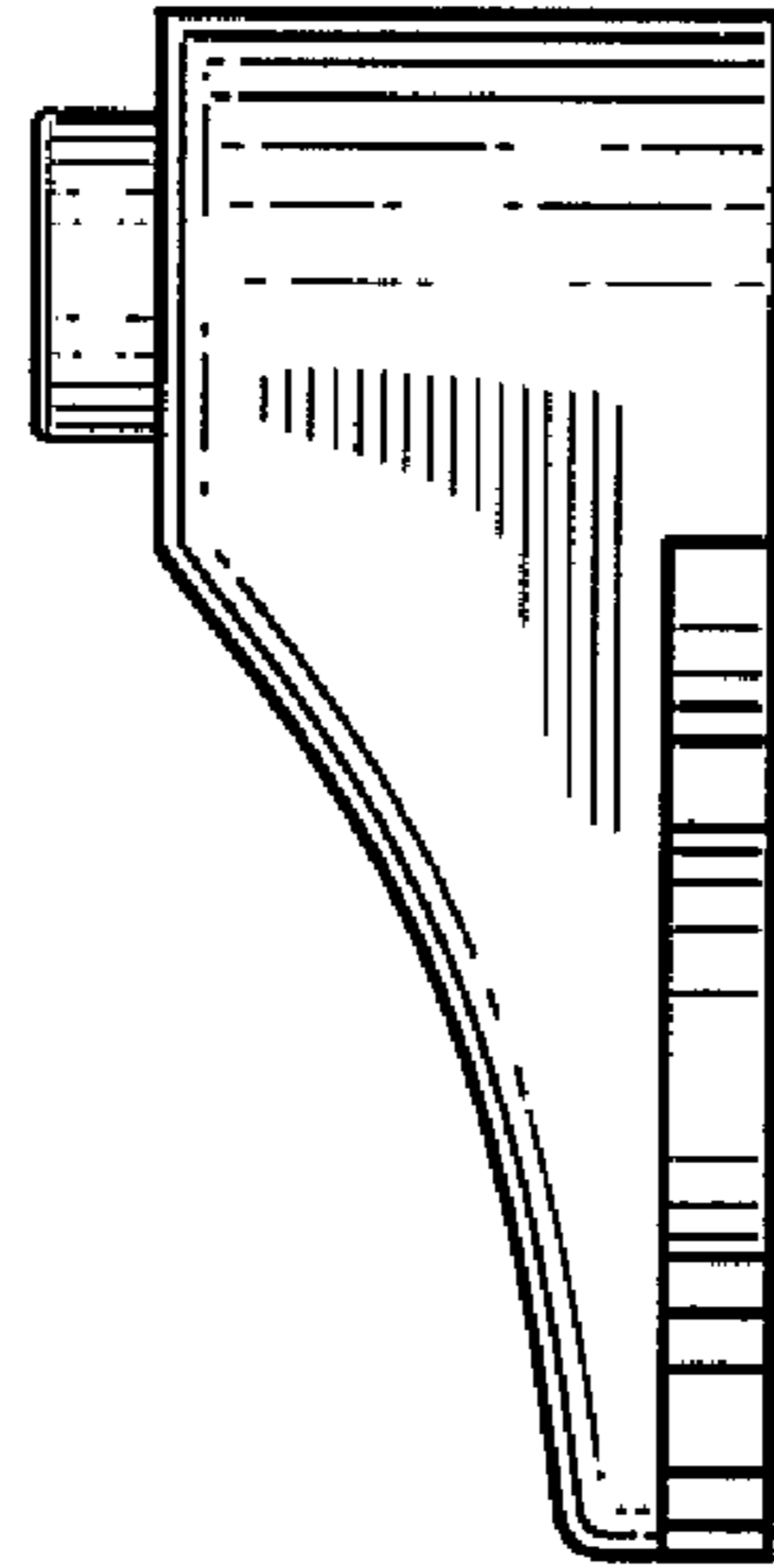
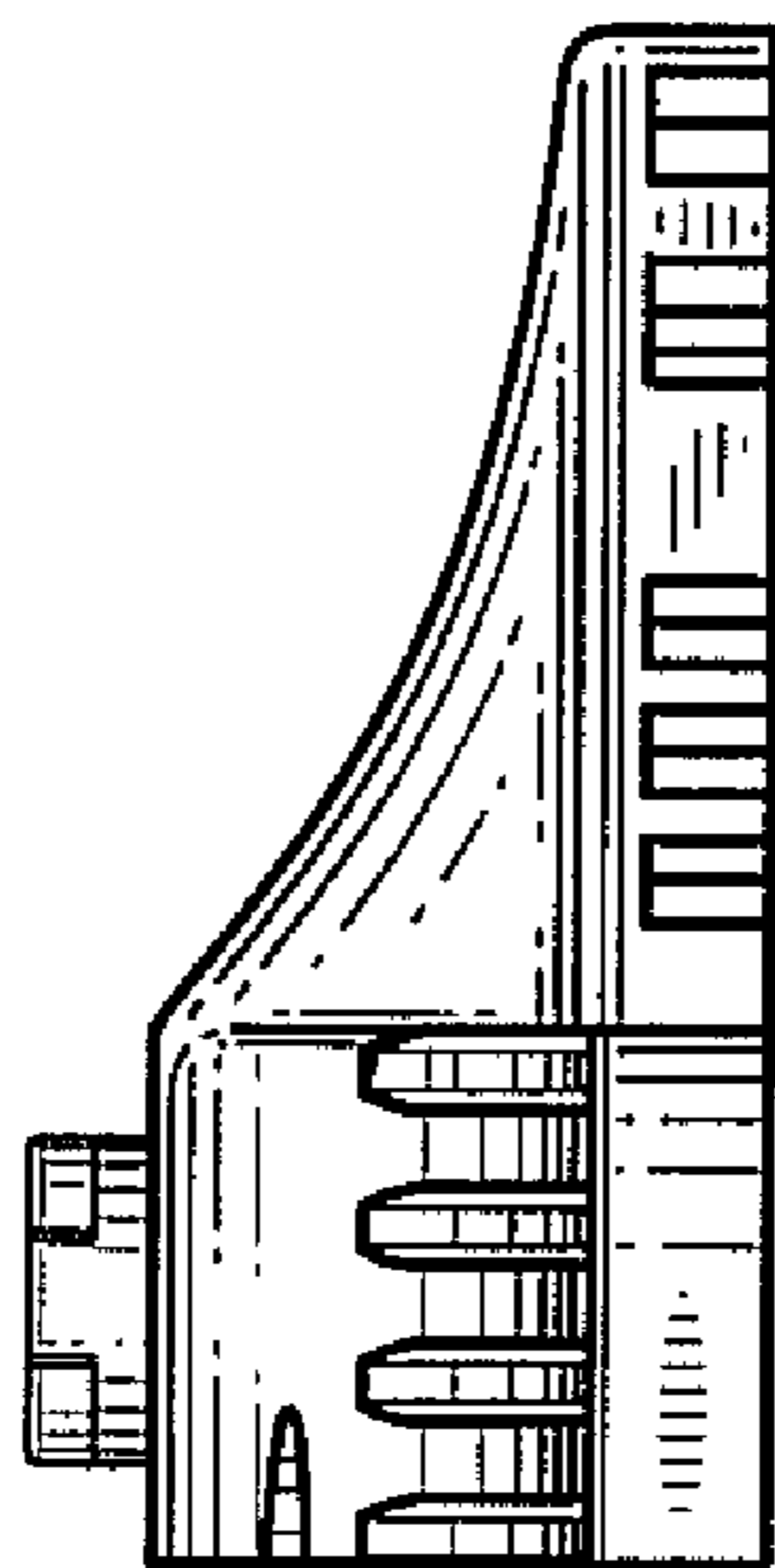


FIG. 10





**FIG. 12**



**FIG. 11**