



US00D556260S

(12) **United States Design Patent** (10) **Patent No.:** **US D556,260 S**
Starr (45) **Date of Patent:** **** Nov. 27, 2007**

(54) **CARPET SQUARE TEACHING AID**

(76) Inventor: **Barbara Starr**, 2120 Juniper St.,
Escondido, CA (US) 92025

(**) Term: **14 Years**

(21) Appl. No.: **29/271,669**

(22) Filed: **Jan. 24, 2007**

(51) **LOC (8) Cl.** **19-07**

(52) **U.S. Cl.** **D19/59**

(58) **Field of Classification Search** D19/59-64;
D20/11, 22, 27, 43; 434/159, 167, 171, 175;
D21/686, 780, 792; D6/588

See application file for complete search history.

(56) **References Cited**

U.S. PATENT DOCUMENTS

D316,119 S *	4/1991	McDermott et al.	D20/11
D429,304 S *	8/2000	Browne, Jr.	D21/792
D435,186 S *	12/2000	Fulkerson	D6/588
D492,532 S *	7/2004	Ellis	D6/588
D505,705 S *	5/2005	Moriarity	D21/780
D518,136 S *	3/2006	Myslinski	D21/686

* cited by examiner

Primary Examiner—Robert A. Delehanty

Assistant Examiner—Mark Cavanna

(74) *Attorney, Agent, or Firm*—Raymond Wagen Knecht;
Biotech Beach Law Group PC

(57) **CLAIM**

I claim the ornamental design for a carpet square teaching aid, as shown and described.

DESCRIPTION

FIG. 1 is a perspective view of the carpet square teaching aid showing my new design;

FIG. 2 is front view thereof;

FIG. 3 is a back view thereof;

FIG. 4 is a top view thereof;

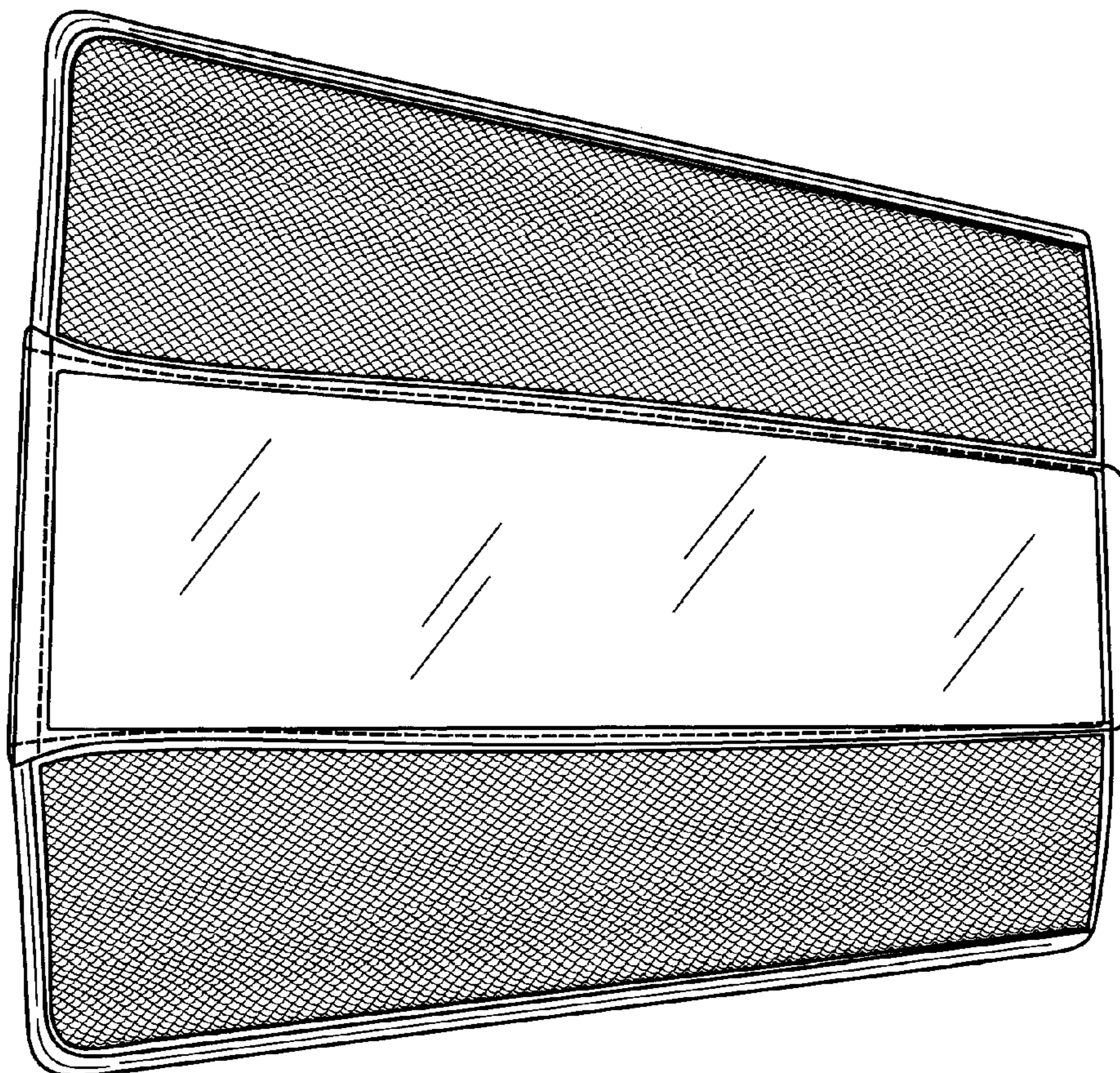
FIG. 5 is a side view thereof; and,

FIG. 6 is a front view of another embodiment of the carpet square teaching aid showing the removable insert partially removed.

The broken line showing the word “BARBARA” on the removable insert is included for the purpose of illustration only and forms no part of the claimed design.

The dashed line around the removable insert pocket represents stitching.

1 Claim, 5 Drawing Sheets



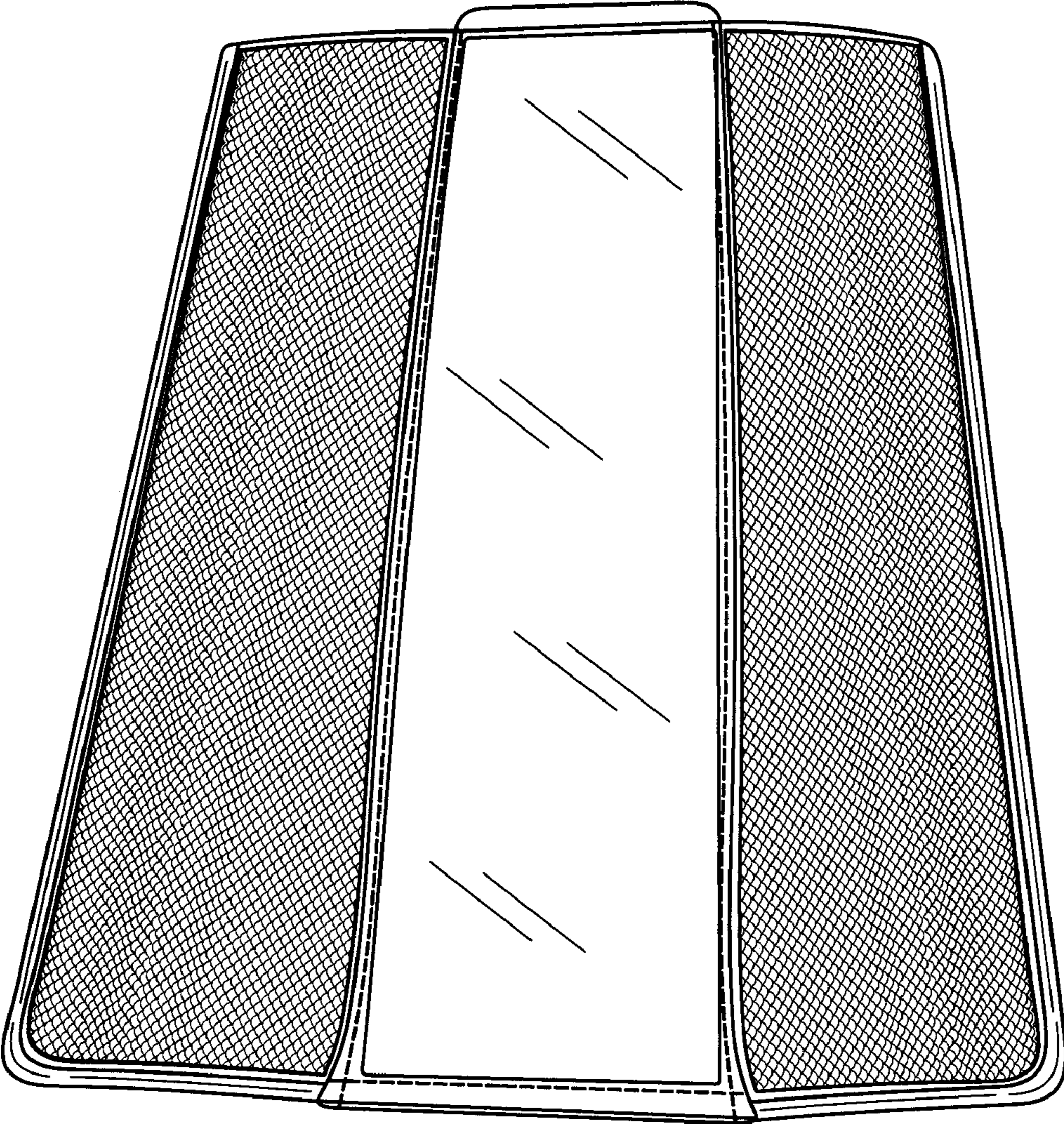


FIG. 1

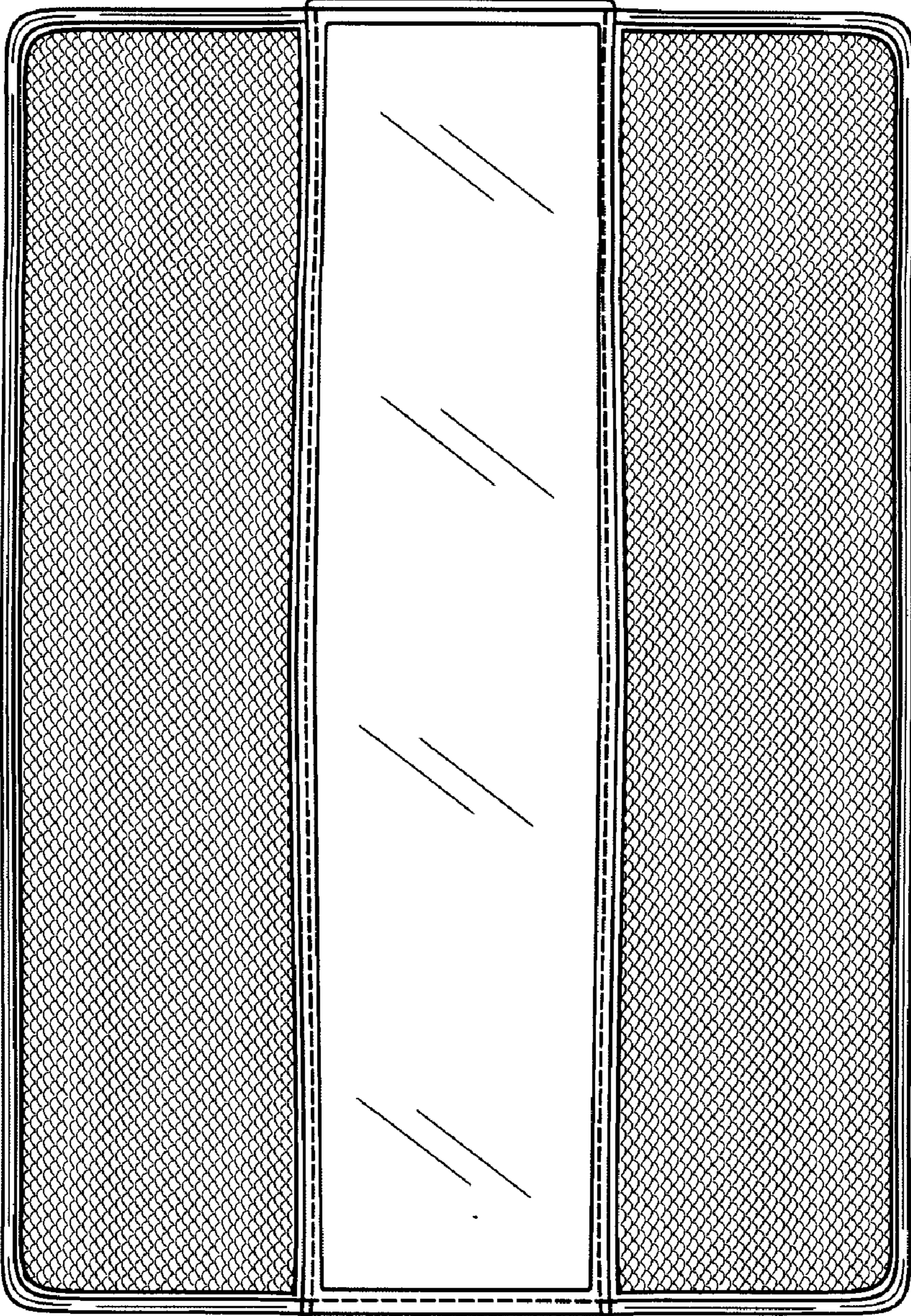


FIG. 2

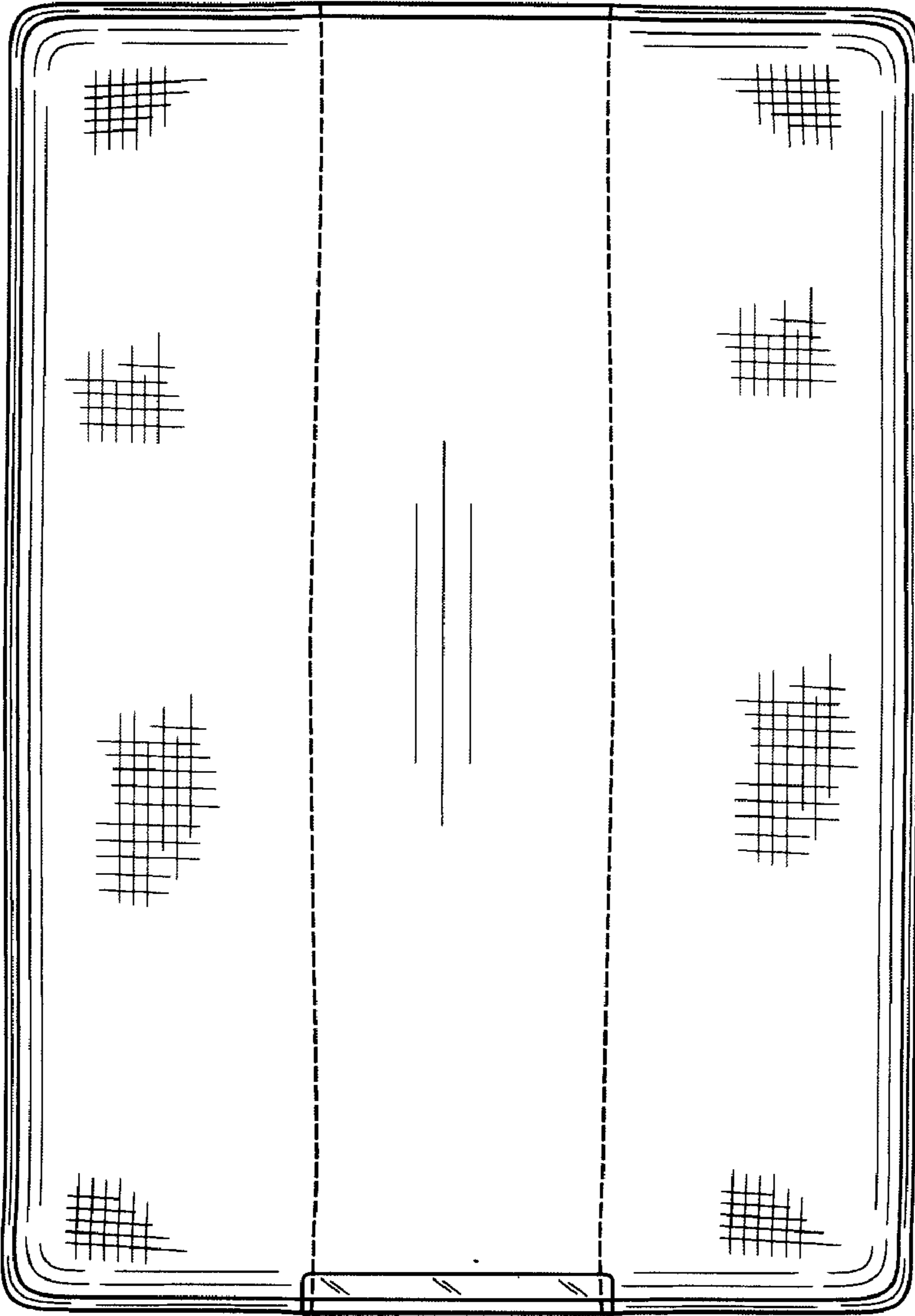


FIG. 3

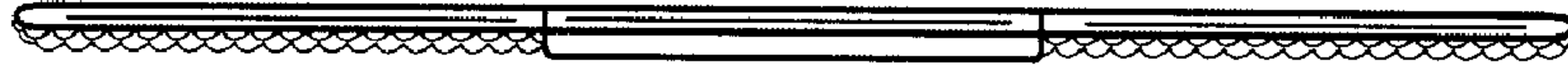


FIG. 5



FIG. 4



FIG. 6