



US00D556258S

(12) **United States Design Patent**  
**Morino**

(10) **Patent No.:** **US D556,258 S**

(45) **Date of Patent:** **\*\* \*Nov. 27, 2007**

(54) **CARTRIDGE FOR INKJET PRINTER**

(75) Inventor: **Tetsu Morino**, Kanagawa (JP)

(73) Assignee: **Ricoh Company, Ltd.**, Tokyo (JP)

(\*) Notice: This patent is subject to a terminal disclaimer.

(\*\*) Term: **14 Years**

(21) Appl. No.: **29/261,321**

(22) Filed: **Jun. 13, 2006**

(30) **Foreign Application Priority Data**

Dec. 13, 2005 (JP) ..... 2005-036704

(51) **LOC (8) Cl.** ..... **18-02**

(52) **U.S. Cl.** ..... **D18/56**

(58) **Field of Classification Search** ..... D18/40,  
D18/43, 56; 347/20, 29, 33, 49-50, 71-72,  
347/86-87; D14/487

See application file for complete search history.

(56) **References Cited**

**U.S. PATENT DOCUMENTS**

D423,568 S \* 4/2000 Inoue et al. .... D18/56  
D438,560 S \* 3/2001 Inoue et al. .... D18/56  
6,254,227 B1 \* 7/2001 Merz et al. .... 347/86

6,347,865 B1 \* 2/2002 Matsumoto et al. .... 347/86  
D465,516 S \* 11/2002 Shinada et al. .... D18/56  
D466,151 S \* 11/2002 Shinada et al. .... D18/56  
D469,463 S \* 1/2003 Yu et al. .... D18/56  
6,585,360 B1 \* 7/2003 Dietl ..... 347/86  
6,595,711 B2 \* 7/2003 Hill ..... 347/86  
D494,616 S \* 8/2004 Katsuyama et al. .... D18/56

\* cited by examiner

*Primary Examiner*—Cathy Anne MacCormac

(74) *Attorney, Agent, or Firm*—Dickstein Shapiro LLP

(57) **CLAIM**

The ornamental design for a cartridge for an inkjet printer, as shown and described.

**DESCRIPTION**

FIG. 1 is a front elevation view of a cartridge for an inkjet printer according to the present invention;

FIG. 2 is a rear elevation view thereof;

FIG. 3 is a top plan view thereof;

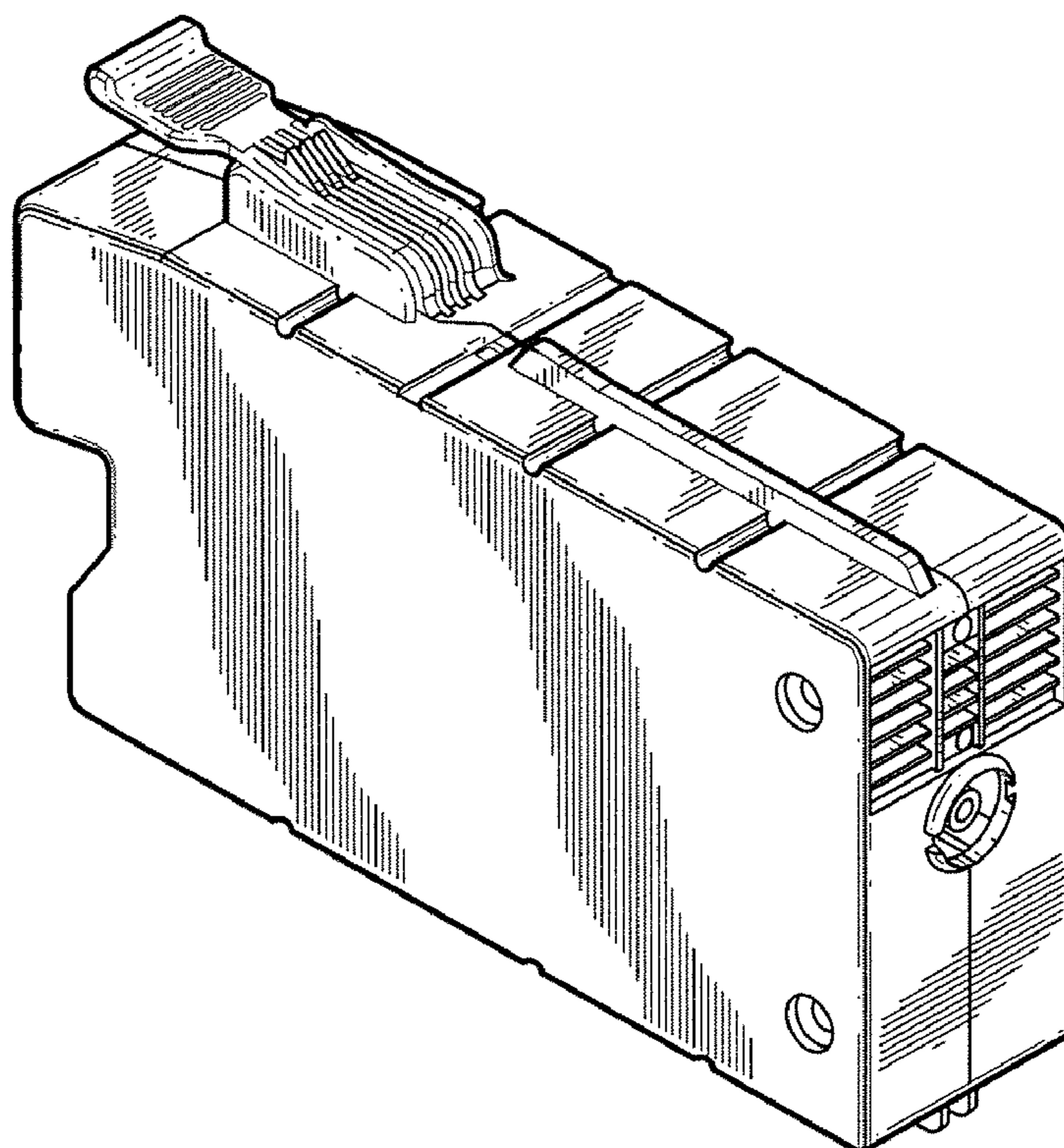
FIG. 4 is a bottom plan view thereof;

FIG. 5 is a right side elevation view thereof;

FIG. 6 is a left side elevation view thereof; and,

FIG. 7 is a top, front and right side perspective view thereof.

**1 Claim, 3 Drawing Sheets**



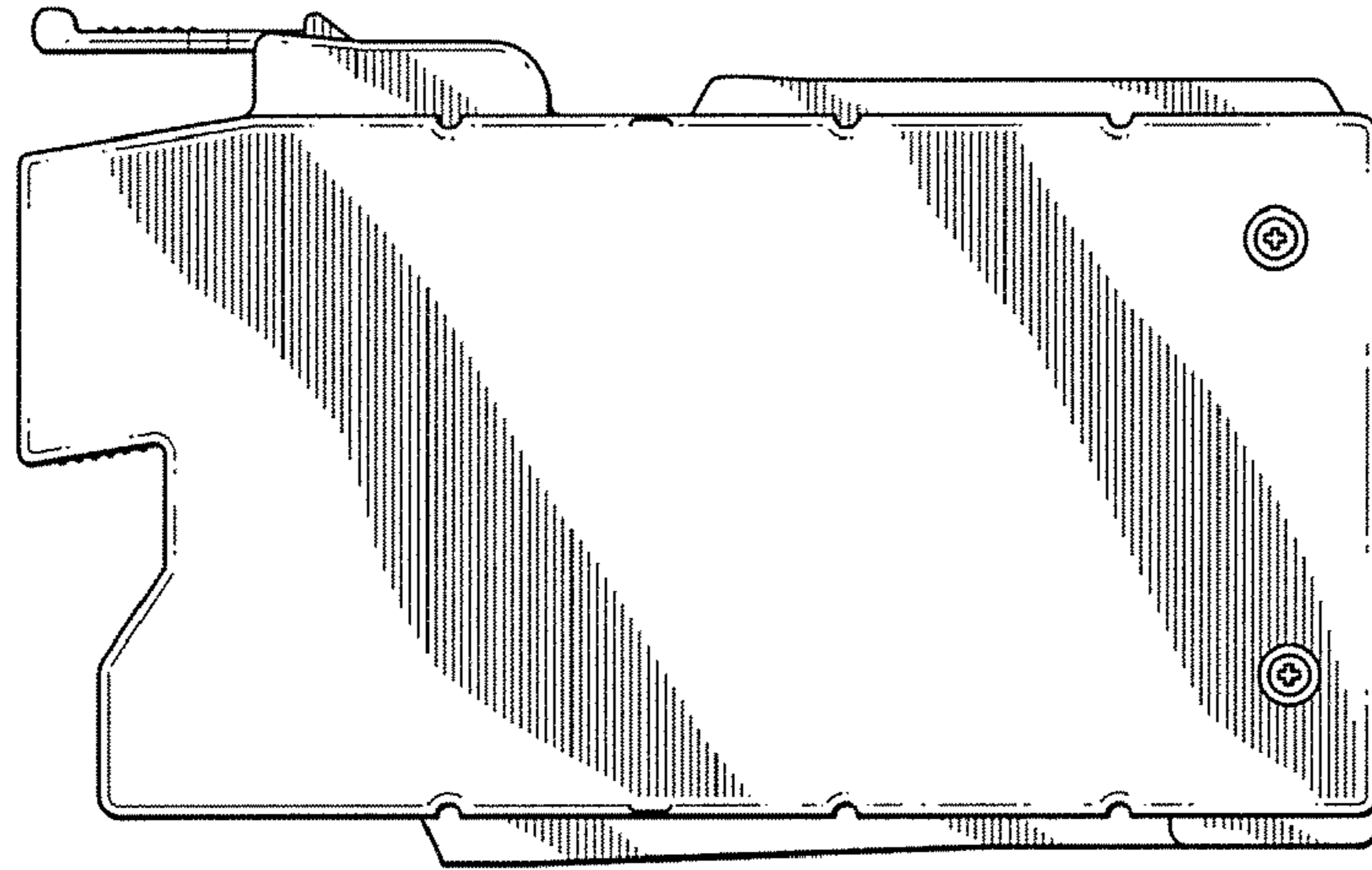


FIG. 1

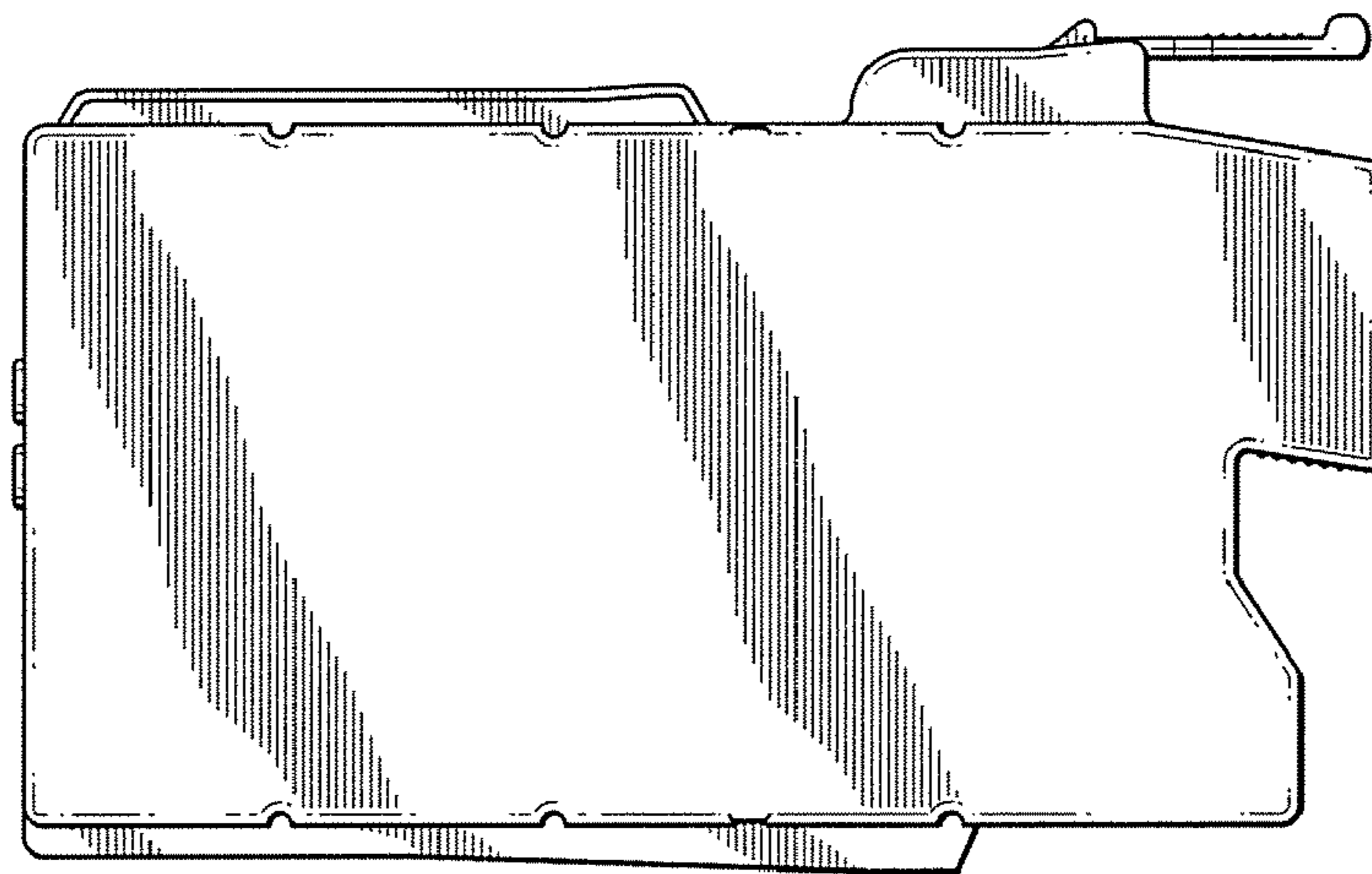


FIG. 2

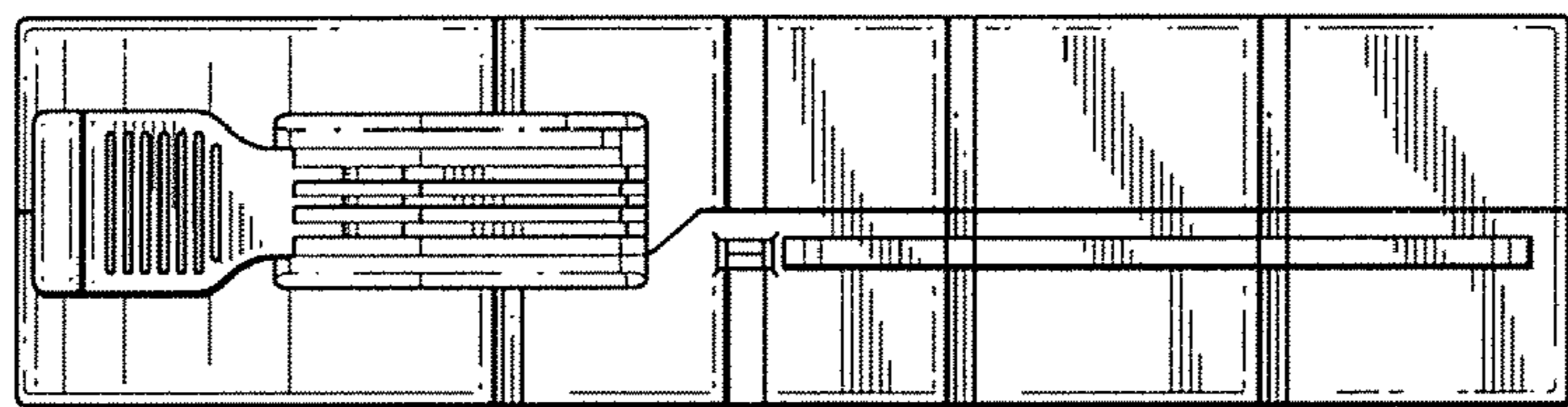


FIG. 3

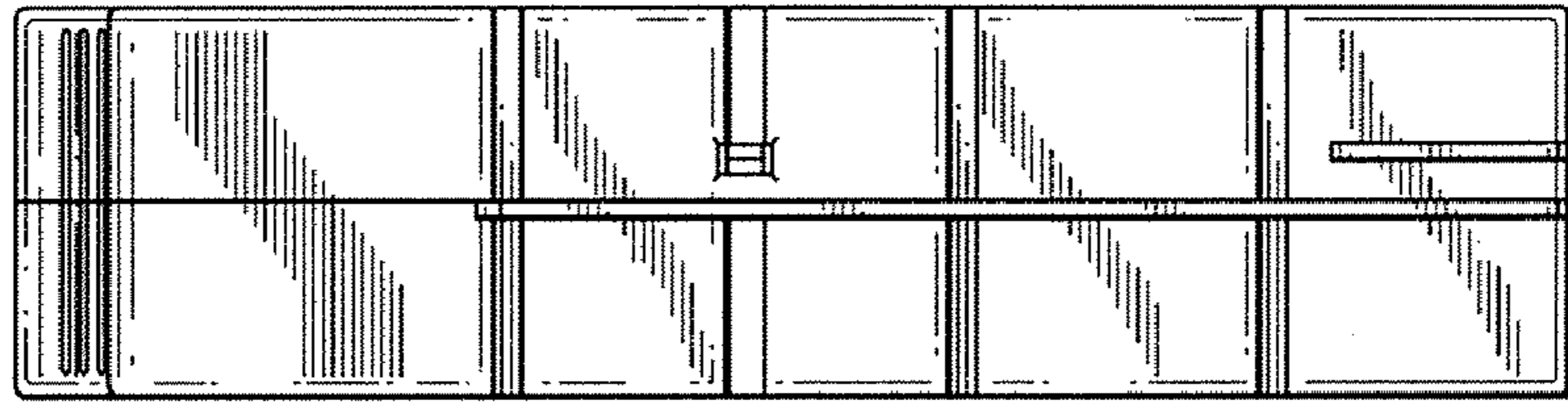


FIG. 4

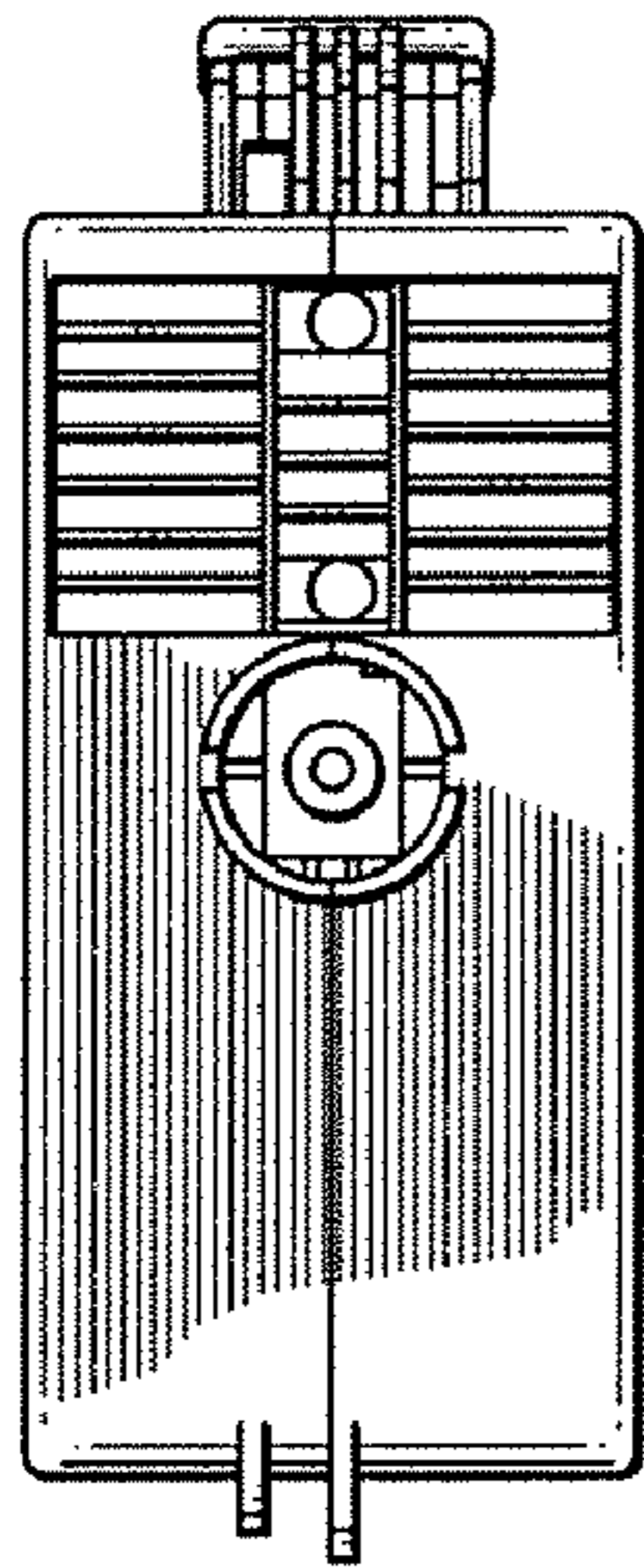


FIG. 5

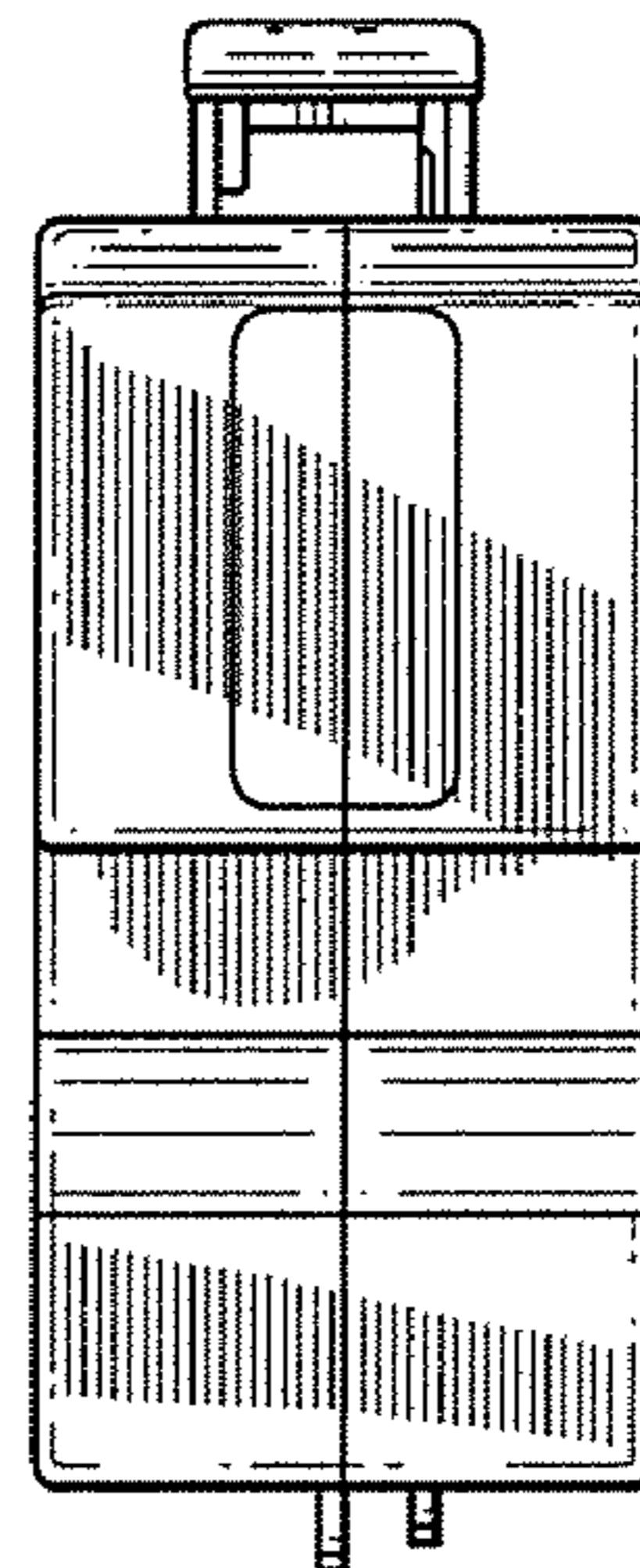


FIG. 6

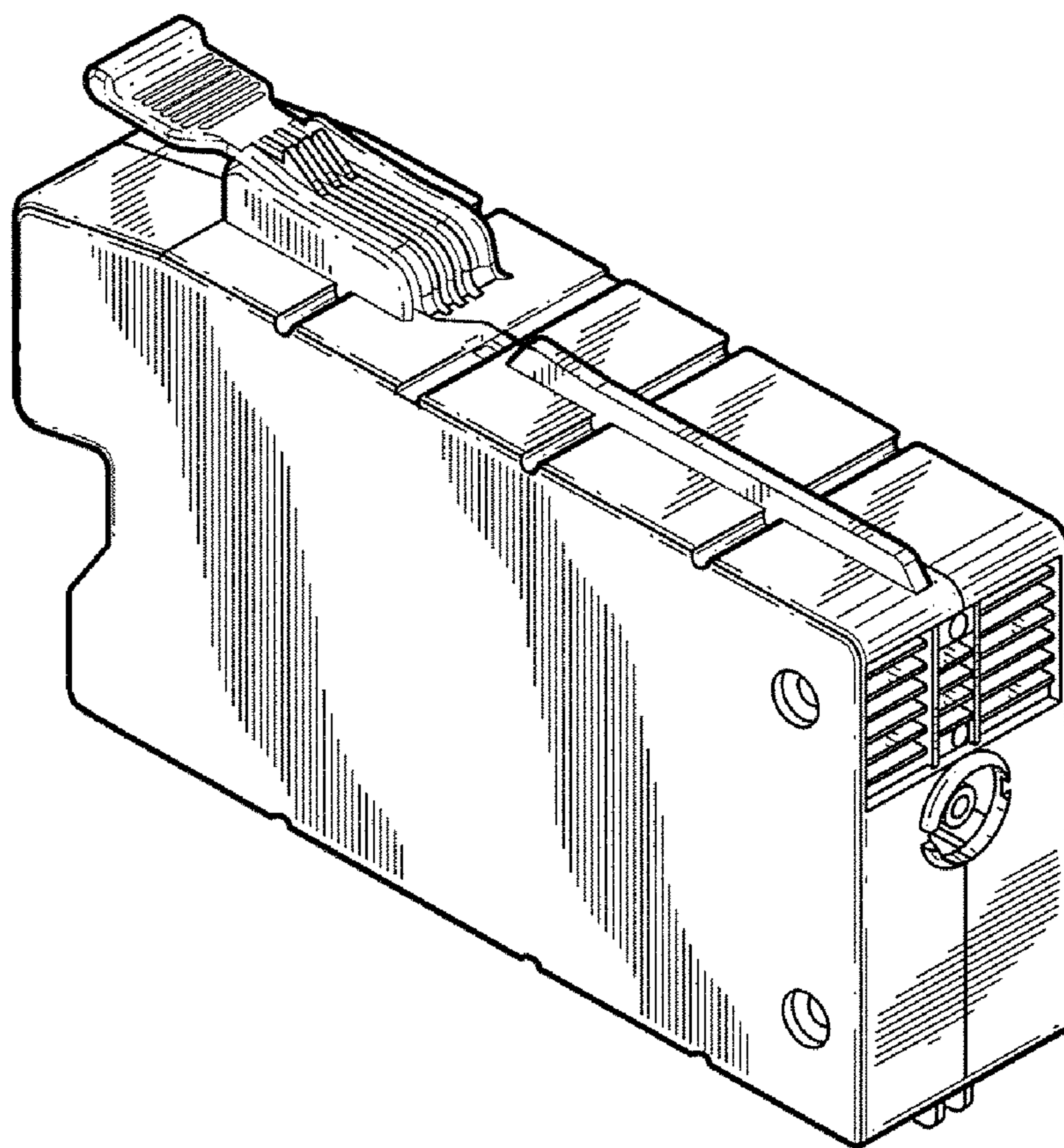


FIG. 7