



US00D556255S

(12) **United States Design Patent**
Matsumoto

(10) **Patent No.:** **US D556,255 S**

(45) **Date of Patent:** **** Nov. 27, 2007**

(54) **PRINTER**

(75) Inventor: **Shigeru Matsumoto**, Toyokawa (JP)

(73) Assignee: **Brother Industries, Ltd.**, Nagoya (JP)

(**) Term: **14 Years**

(21) Appl. No.: **29/261,334**

(22) Filed: **Jun. 13, 2006**

(30) **Foreign Application Priority Data**

Dec. 13, 2005 (JP) 2005-036724

(51) **LOC (8) Cl.** **14-02**

(52) **U.S. Cl.** **D18/50**

(58) **Field of Classification Search** D18/4.5,
D18/14, 19, 36-39, 50, 53, 54-54.1, 55;
D14/420-425, 462-470; 400/613, 613.1-613.4,
400/690.1-690.4, 691, 694
See application file for complete search history.

(56) **References Cited**

U.S. PATENT DOCUMENTS

D317,459 S * 6/1991 Ono D18/54
D378,378 S * 3/1997 Nakazawa et al. D18/54
D407,741 S * 4/1999 Kusanagi D18/55

D502,212 S * 2/2005 Ishigami D18/50
D516,623 S * 3/2006 Lee et al. D18/55
D526,350 S * 8/2006 Yamano et al. D18/55
D530,738 S * 10/2006 Tay et al. D18/55
D532,449 S * 11/2006 Tjin Wong Joe et al. D18/55
D534,578 S * 1/2007 Katayama et al. D18/55
D534,579 S * 1/2007 Yamaguchi D18/55

* cited by examiner

Primary Examiner—Cathy Anne MacCormac

(74) *Attorney, Agent, or Firm*—Oliff & Berridge, PLC

(57) **CLAIM**

The ornamental design for a printer, as shown and described.

DESCRIPTION

FIG. 1 is a perspective view of a printer;

FIG. 2 is a front view thereof;

FIG. 3 is a top view thereof;

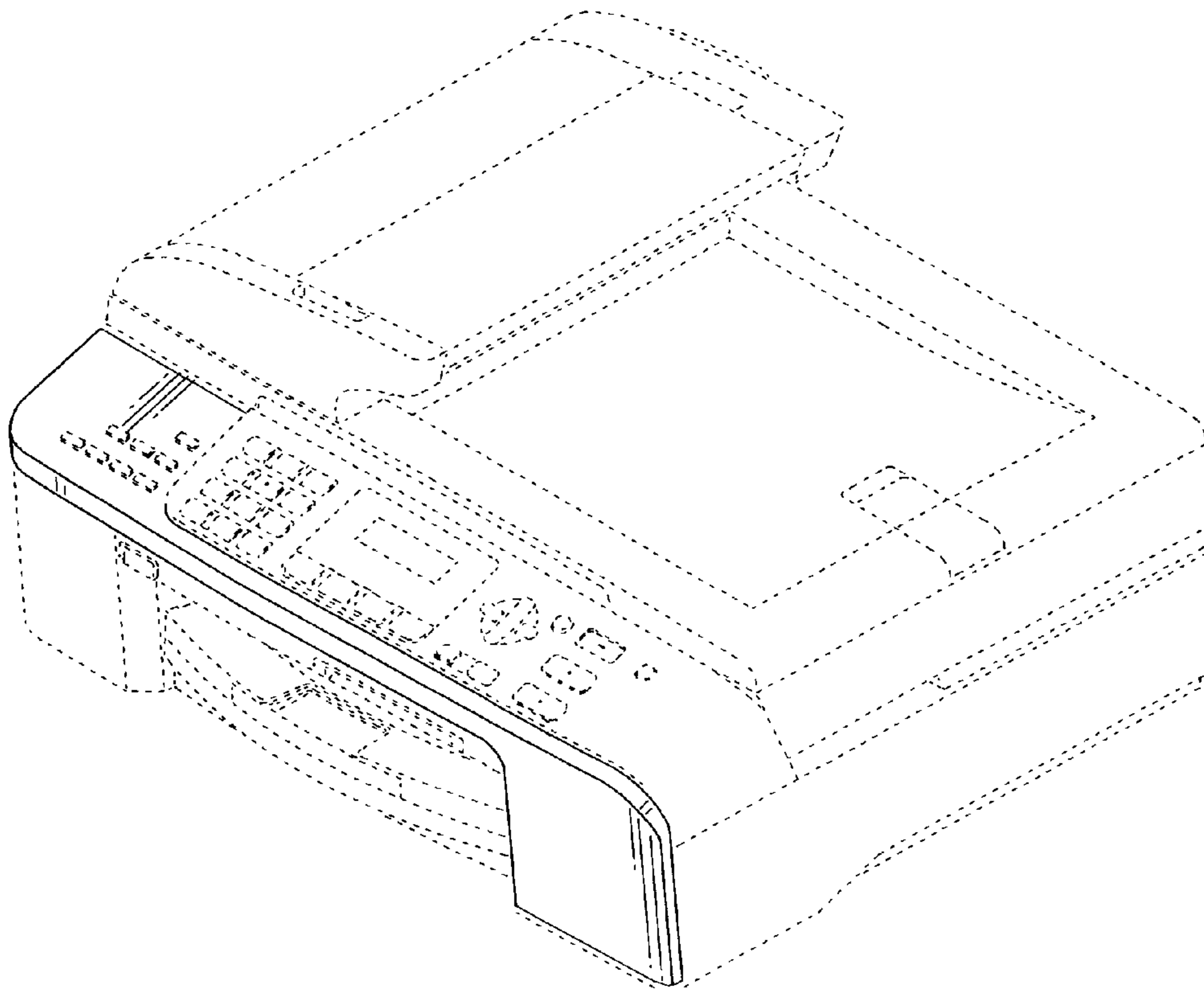
FIG. 4 is a right-side view thereof;

FIG. 5 is a left-side view thereof; and,

FIG. 6 is a bottom view thereof.

The broken lines are for illustrative purposes only and form no part of the claimed design.

1 Claim, 4 Drawing Sheets



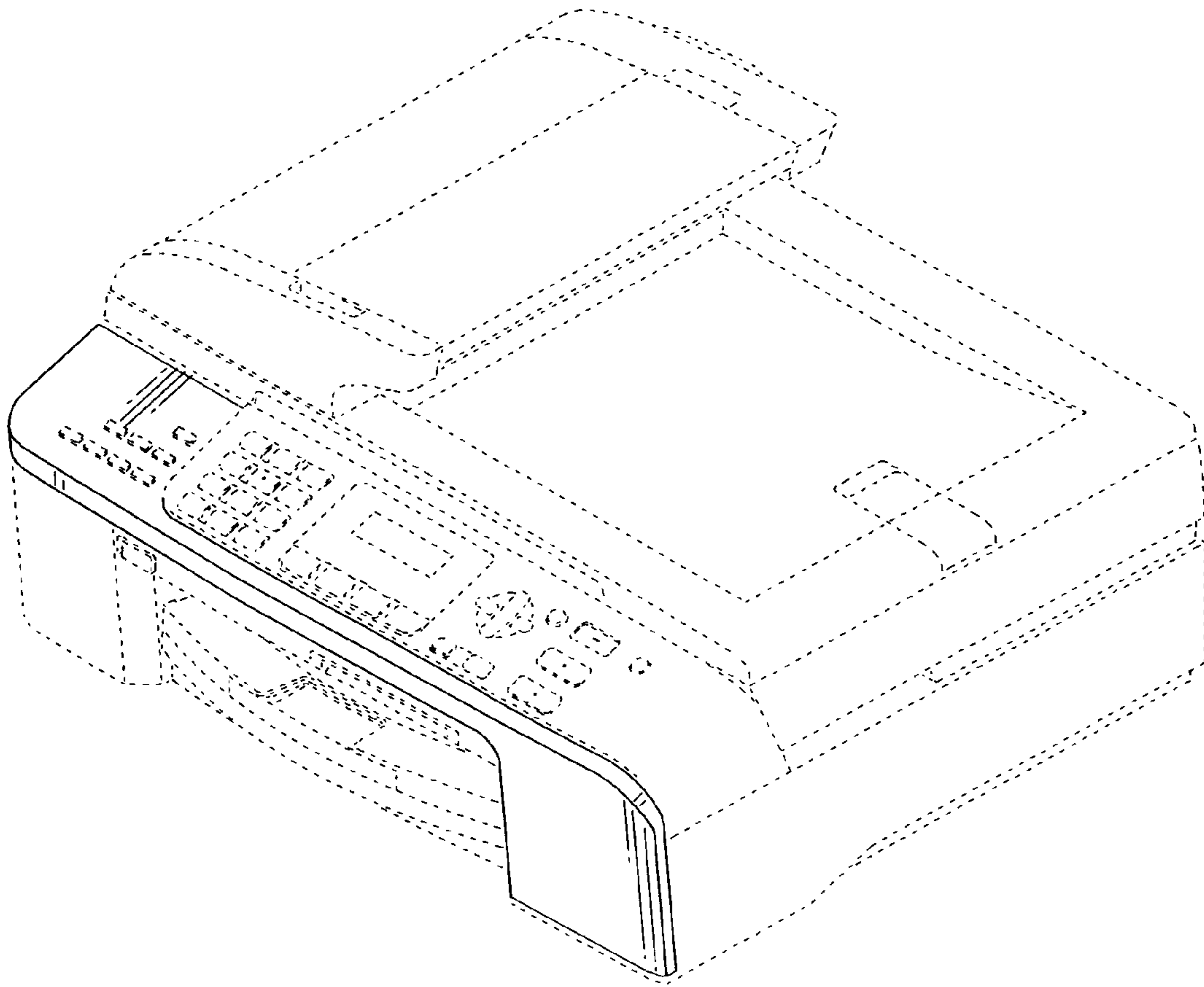


FIG. 1

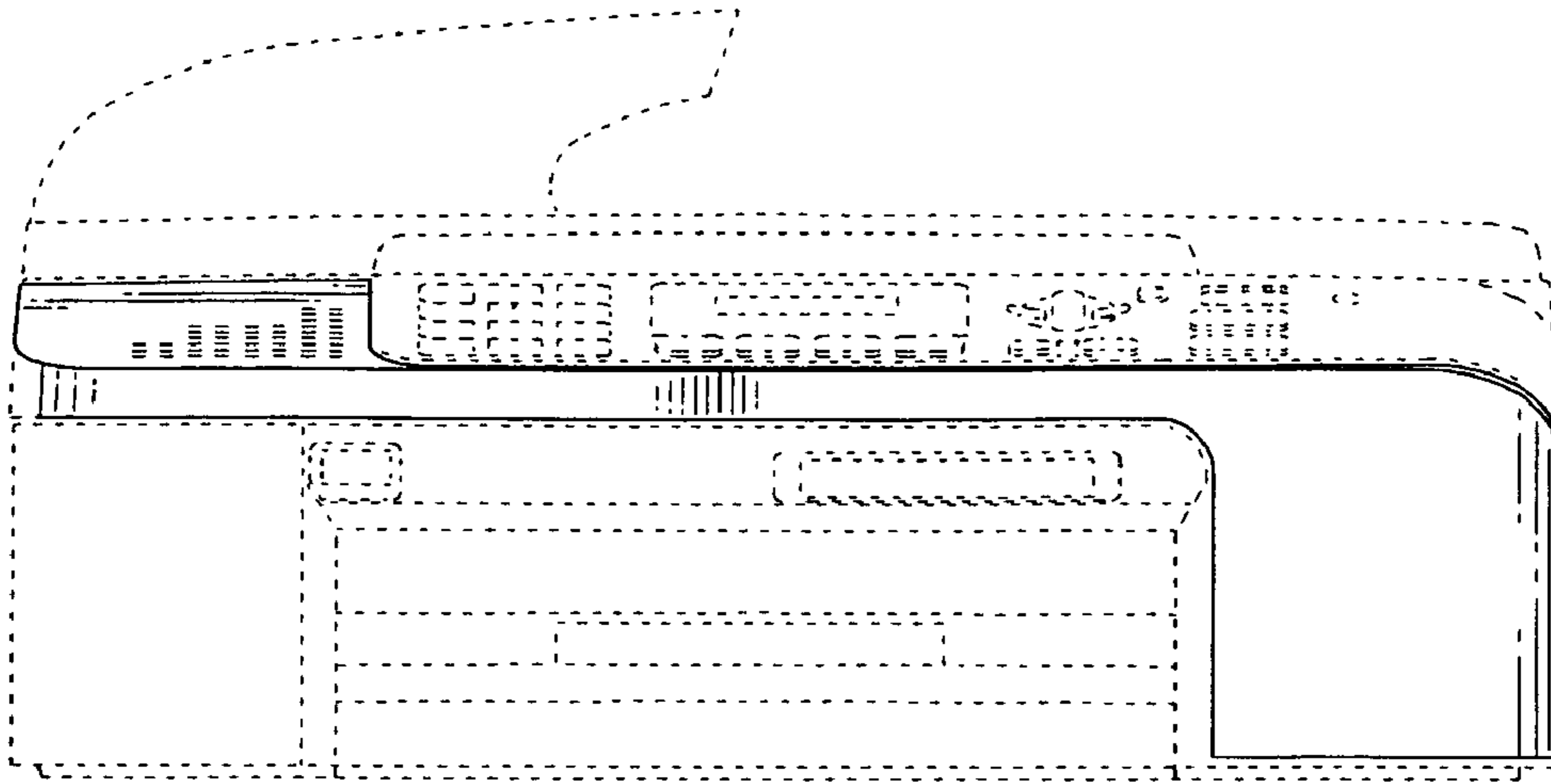


FIG. 2

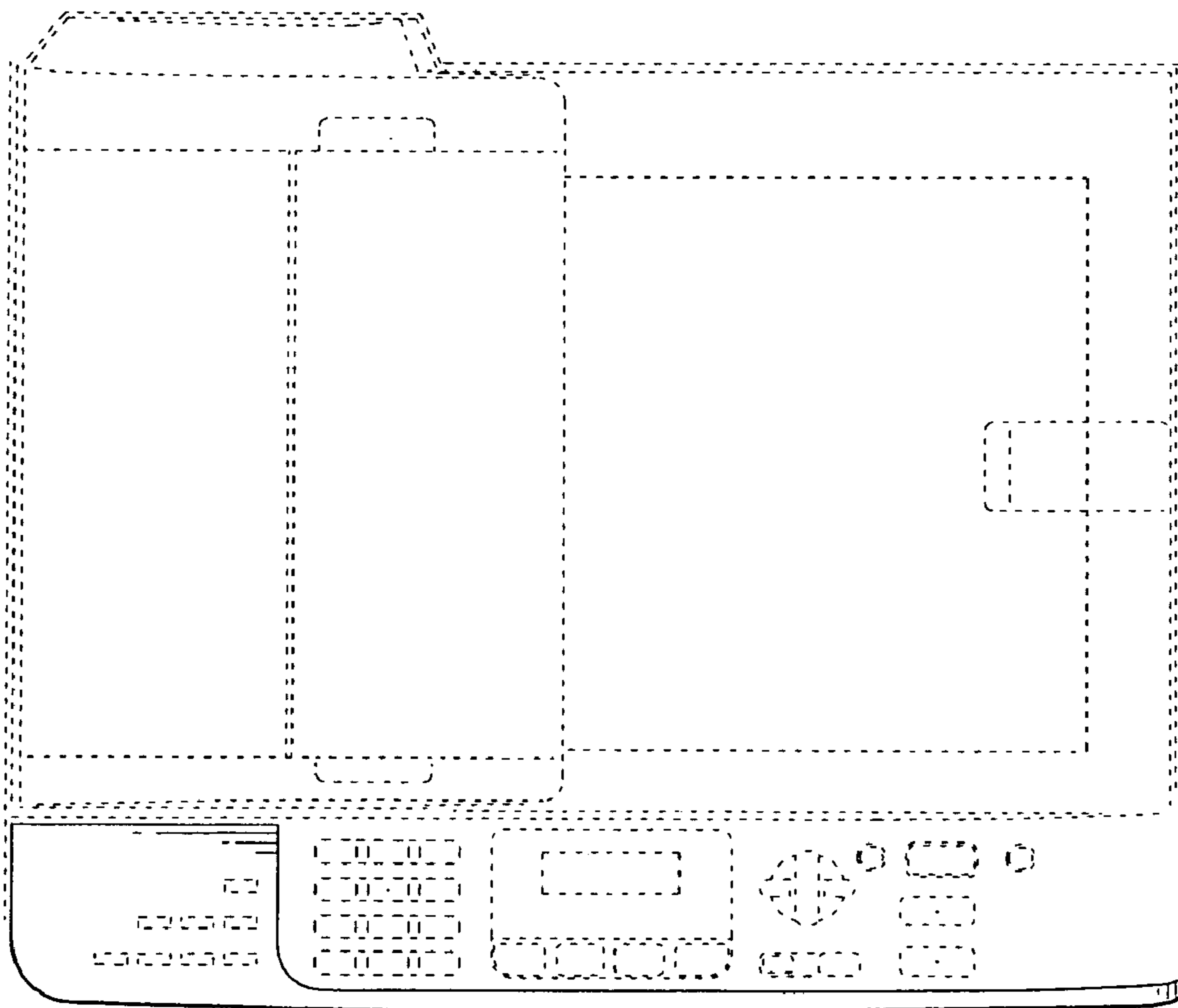


FIG. 3



FIG. 4

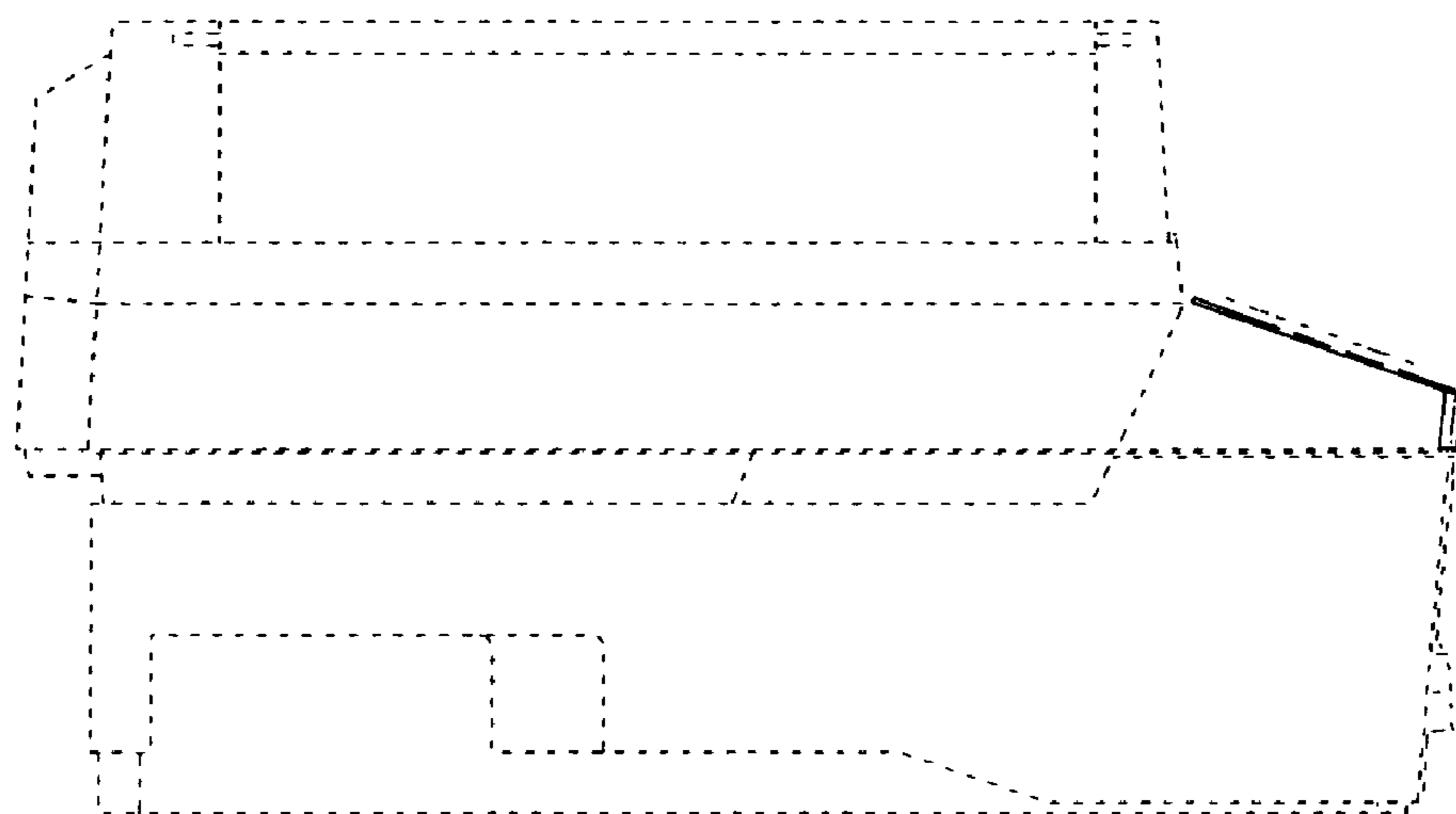


FIG. 5

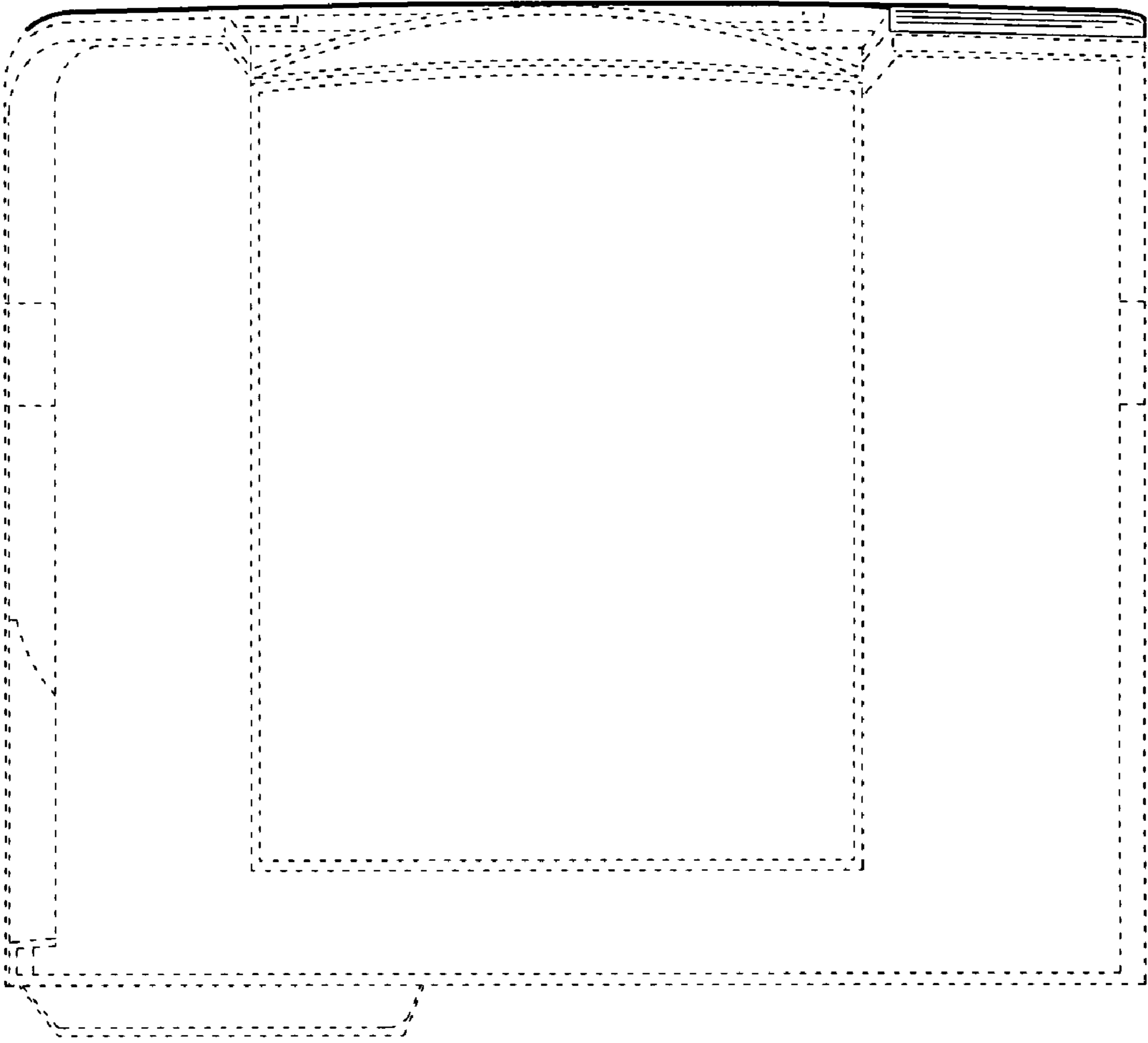


FIG. 6