



US00D556252S

(12) **United States Design Patent**  
**Yamagata et al.**

(10) **Patent No.:** **US D556,252 S**

(45) **Date of Patent:** **\*\* Nov. 27, 2007**

(54) **PAPER FEEDER CASSETTE**

(75) Inventors: **Takashi Yamagata**, Kyoto (JP);  
**Ryuichi Onaka**, Kyoto (JP)

(73) Assignee: **Murata Kikai Kabushiki Kaisha**,  
Kyoto (JP)

(\*\*) Term: **14 Years**

(21) Appl. No.: **29/246,641**

(22) Filed: **Apr. 28, 2006**

(30) **Foreign Application Priority Data**

Mar. 17, 2006 (JP) ..... 2006-006880

(51) **LOC (8) Cl.** ..... **16-03**

(52) **U.S. Cl.** ..... **D18/44**

(58) **Field of Classification Search** ..... D18/36-41,  
D18/45-49, 55-57; D14/462-471; 222/DIG. 1;  
271/3.02, 3.03, 3.08, 145, 160, 171, 226,  
271/264; 355/97, 112; 399/16, 17, 361,  
399/381-383, 388, 393

See application file for complete search history.

(56) **References Cited**

**U.S. PATENT DOCUMENTS**

4,569,586 A \* 2/1986 Koyama ..... 399/393  
5,815,787 A \* 9/1998 Crayton et al. .... 399/393  
D421,767 S \* 3/2000 Kusanagi ..... D18/39  
D423,558 S \* 4/2000 Takimura ..... D18/39  
6,322,067 B1 \* 11/2001 Fujii et al. .... 271/145  
6,862,426 B2 \* 3/2005 Kitamura ..... 399/393  
7,044,666 B2 \* 5/2006 Takahashi et al. .... 271/171  
D526,678 S \* 8/2006 Inoue et al. .... D18/49

D528,593 S \* 9/2006 Ikeda ..... D18/49  
2005/0242486 A1 \* 11/2005 Lee et al. .... 271/121  
2006/0140694 A1 \* 6/2006 Yano ..... 399/393

**FOREIGN PATENT DOCUMENTS**

JP D1153721 9/2002  
JP D1227909 1/2005

\* cited by examiner

*Primary Examiner*—Robert M. Spear

*Assistant Examiner*—Garth Rademaker

(74) *Attorney, Agent, or Firm*—Sterne, Kessler, Goldstein &  
Fox P.L.L.C.

(57) **CLAIM**

The ornamental design for a paper feeder cassette, as shown  
and described.

**DESCRIPTION**

FIG. 1 is a bottom perspective view of a paper feeder  
cassette showing our new design;

FIG. 2 is a top perspective view thereof;

FIG. 3 is a front view thereof;

FIG. 4 is a rear view thereof;

FIG. 5 is a left side view thereof;

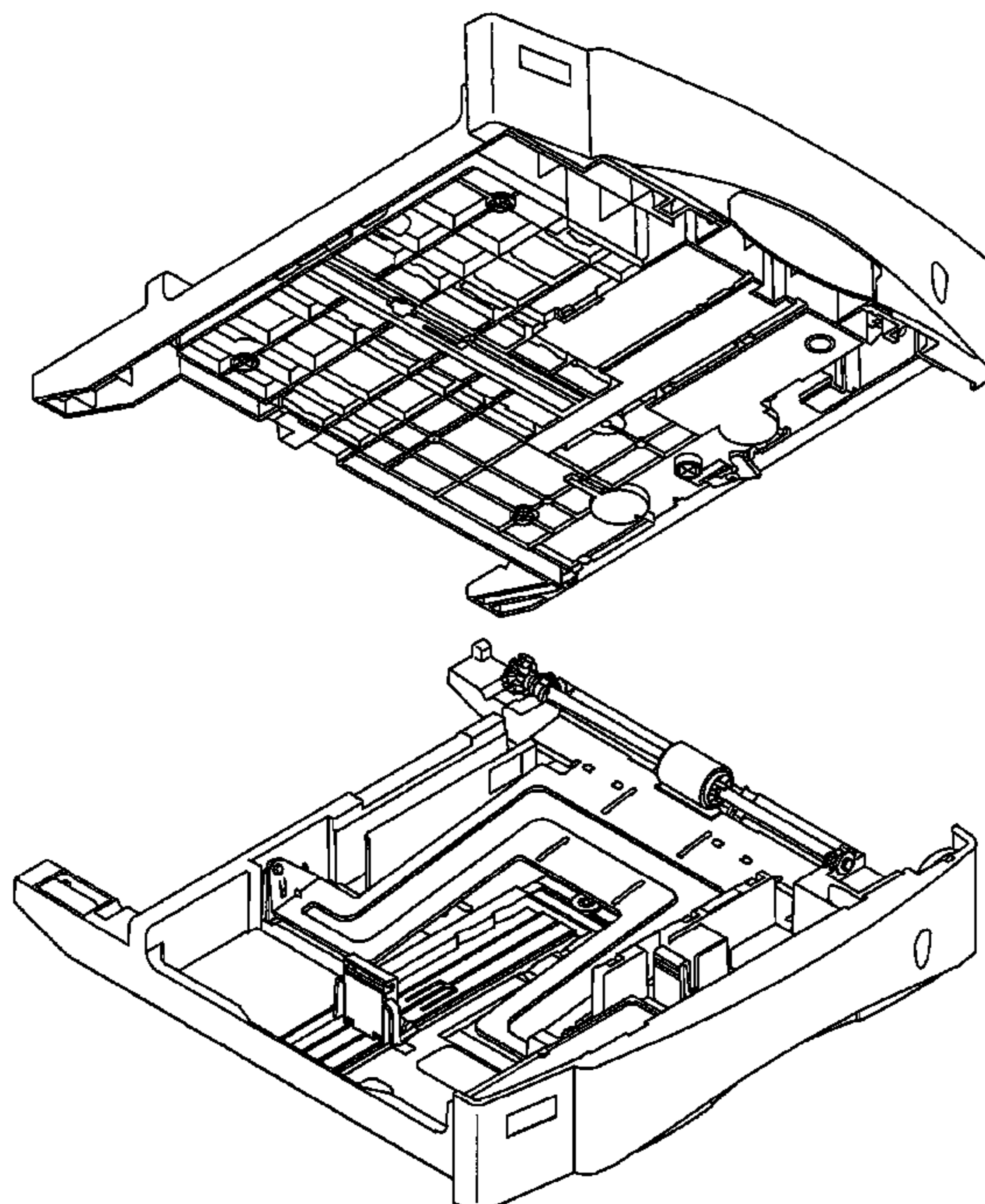
FIG. 6 is a right side view thereof;

FIG. 7 is a top plan view thereof; and,

FIG. 8 is bottom view thereof.

The broken lines depict environmental subject matter only  
and form no part of the claimed design.

**1 Claim, 8 Drawing Sheets**



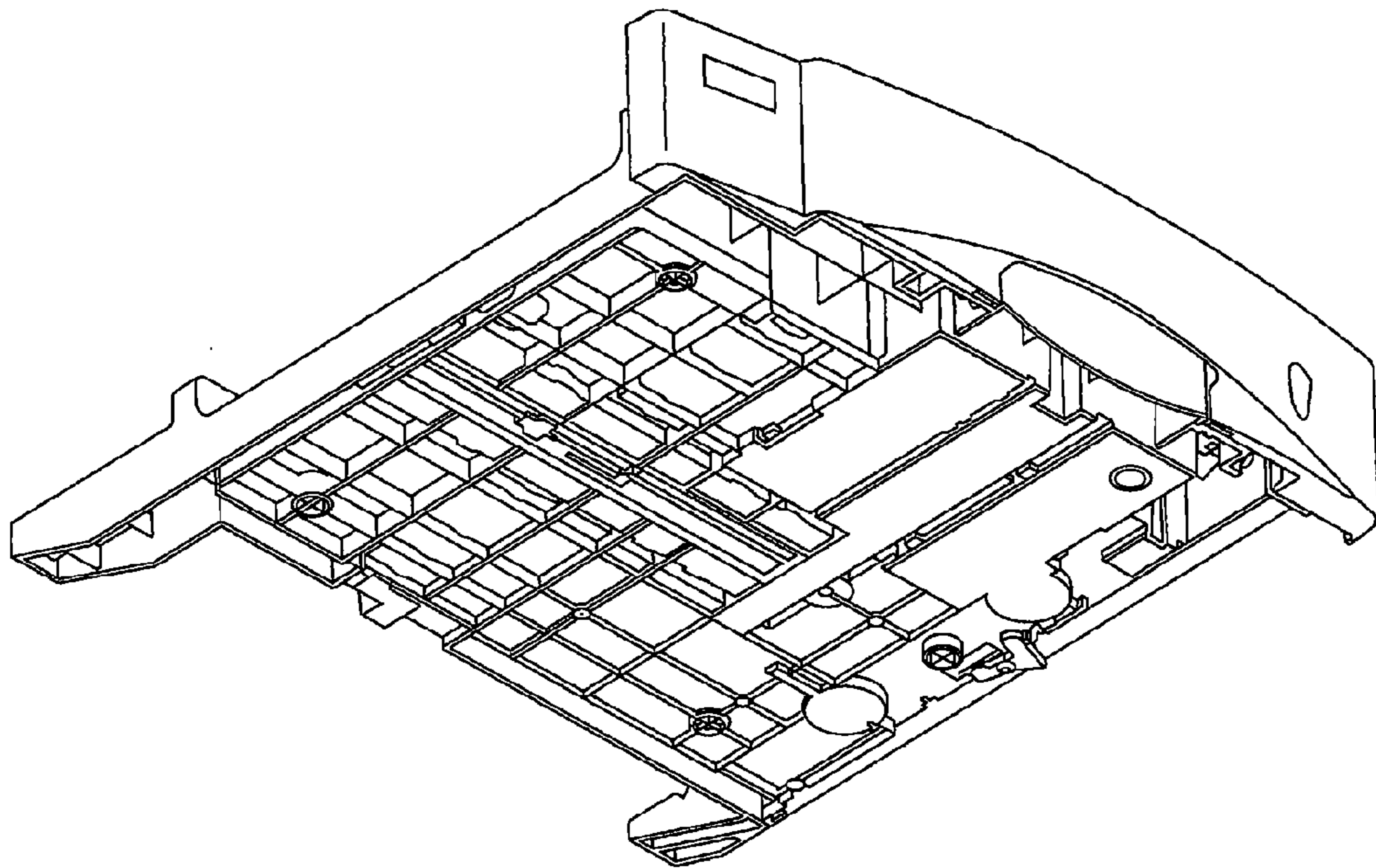


FIG. 1

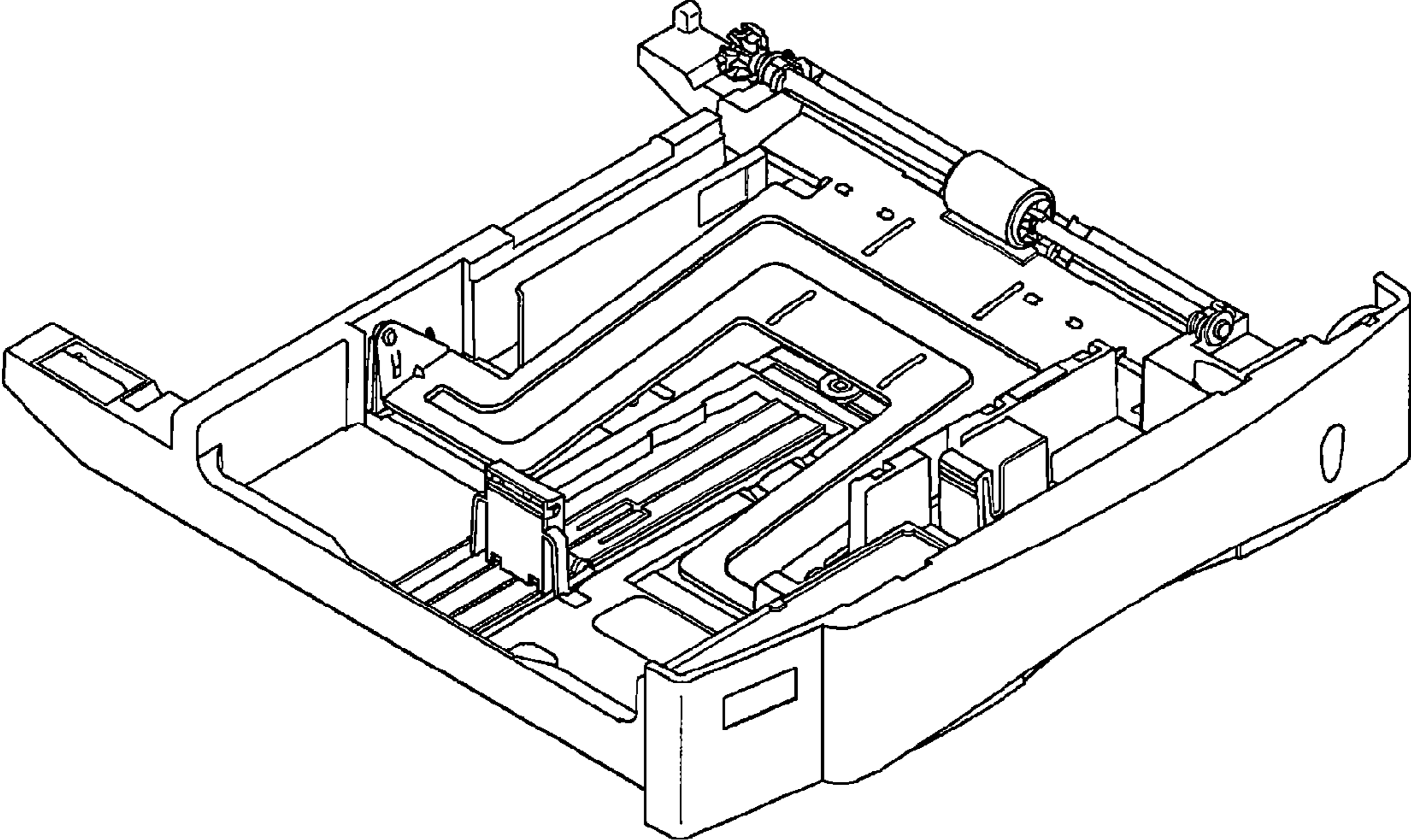


FIG. 2

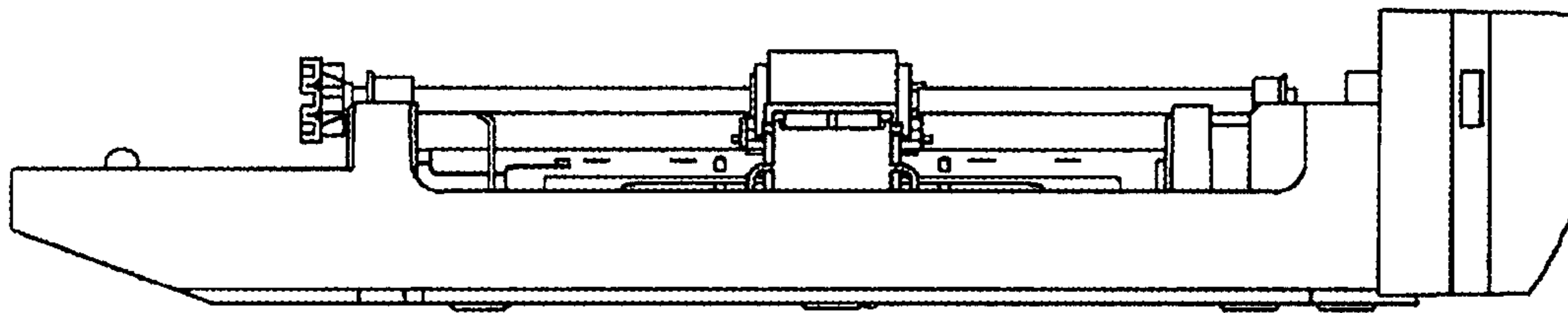


FIG. 3

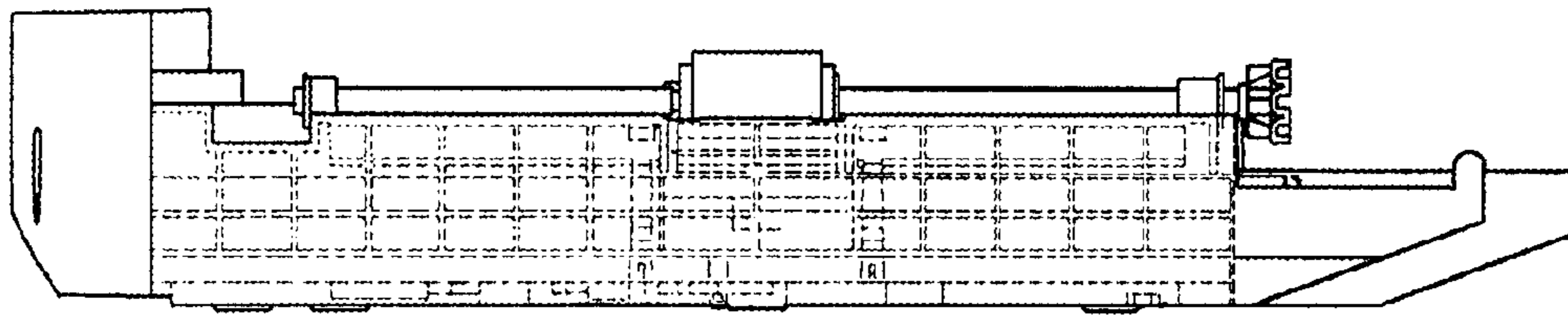


FIG. 4

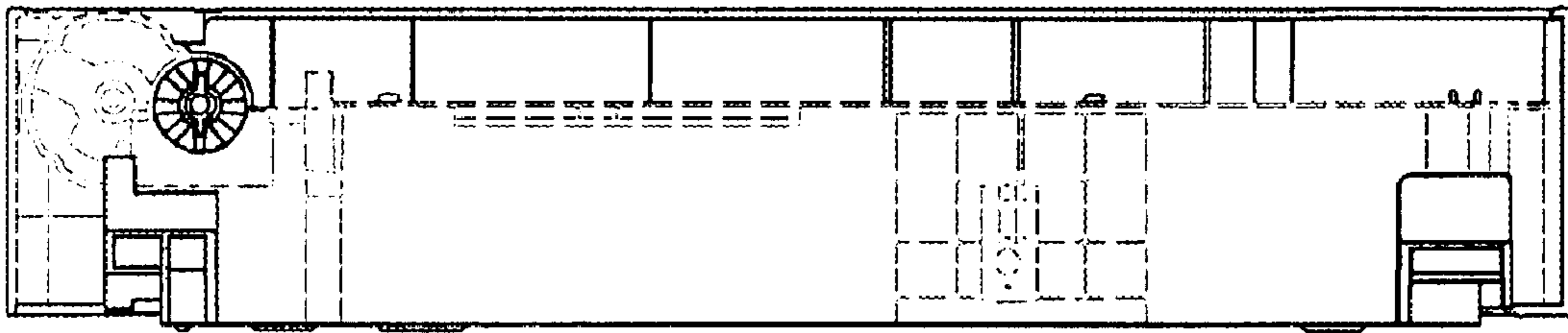


FIG. 5

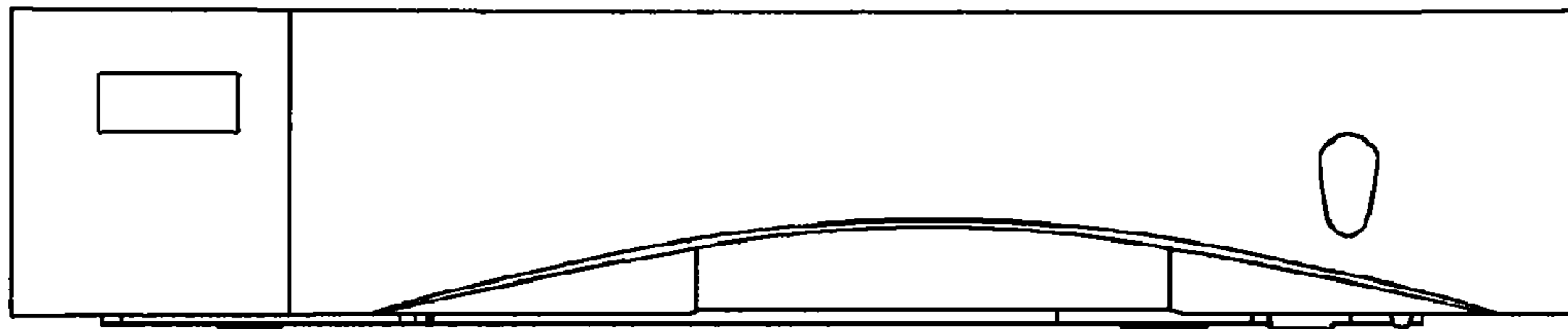


FIG. 6

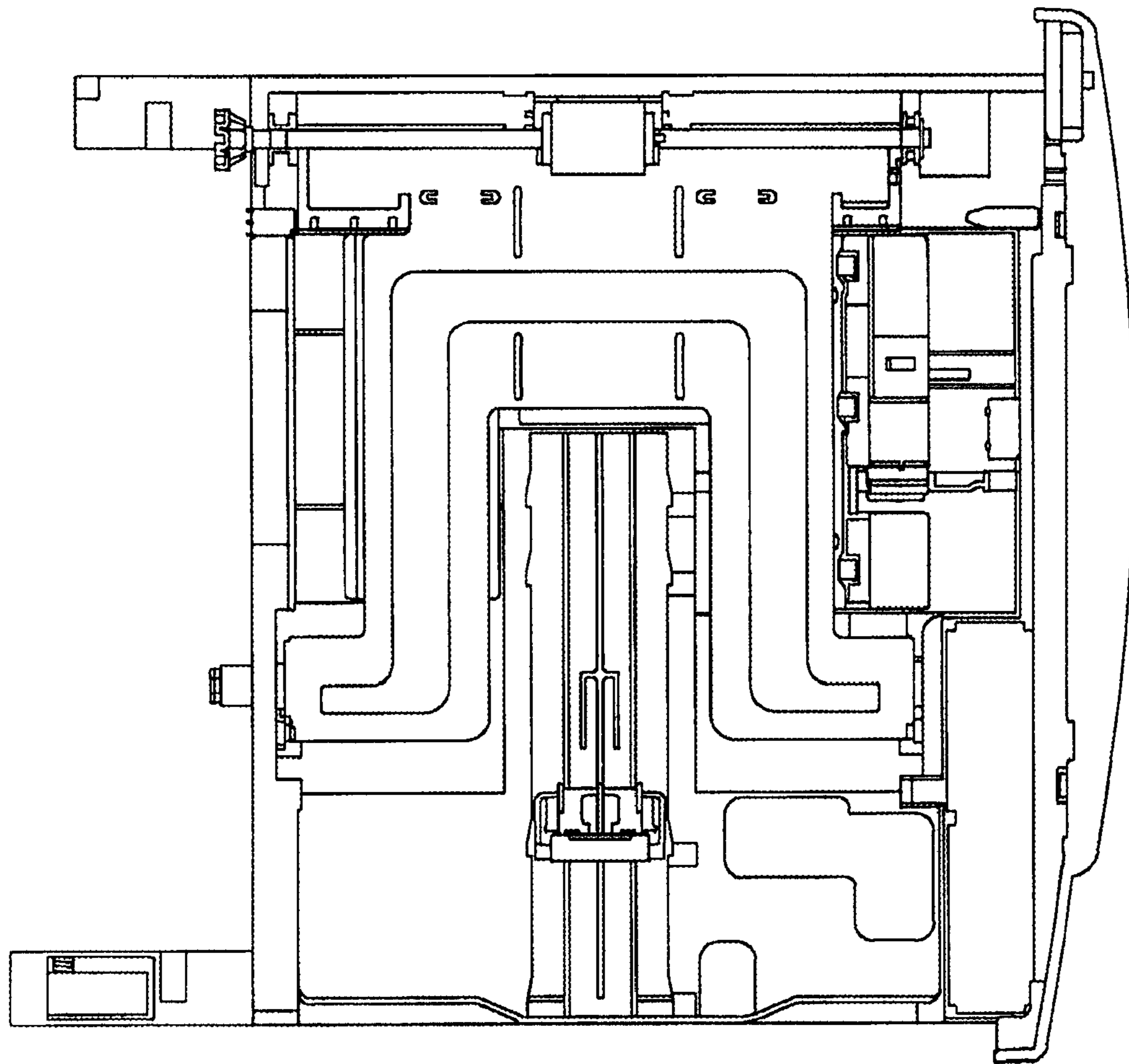


FIG. 7



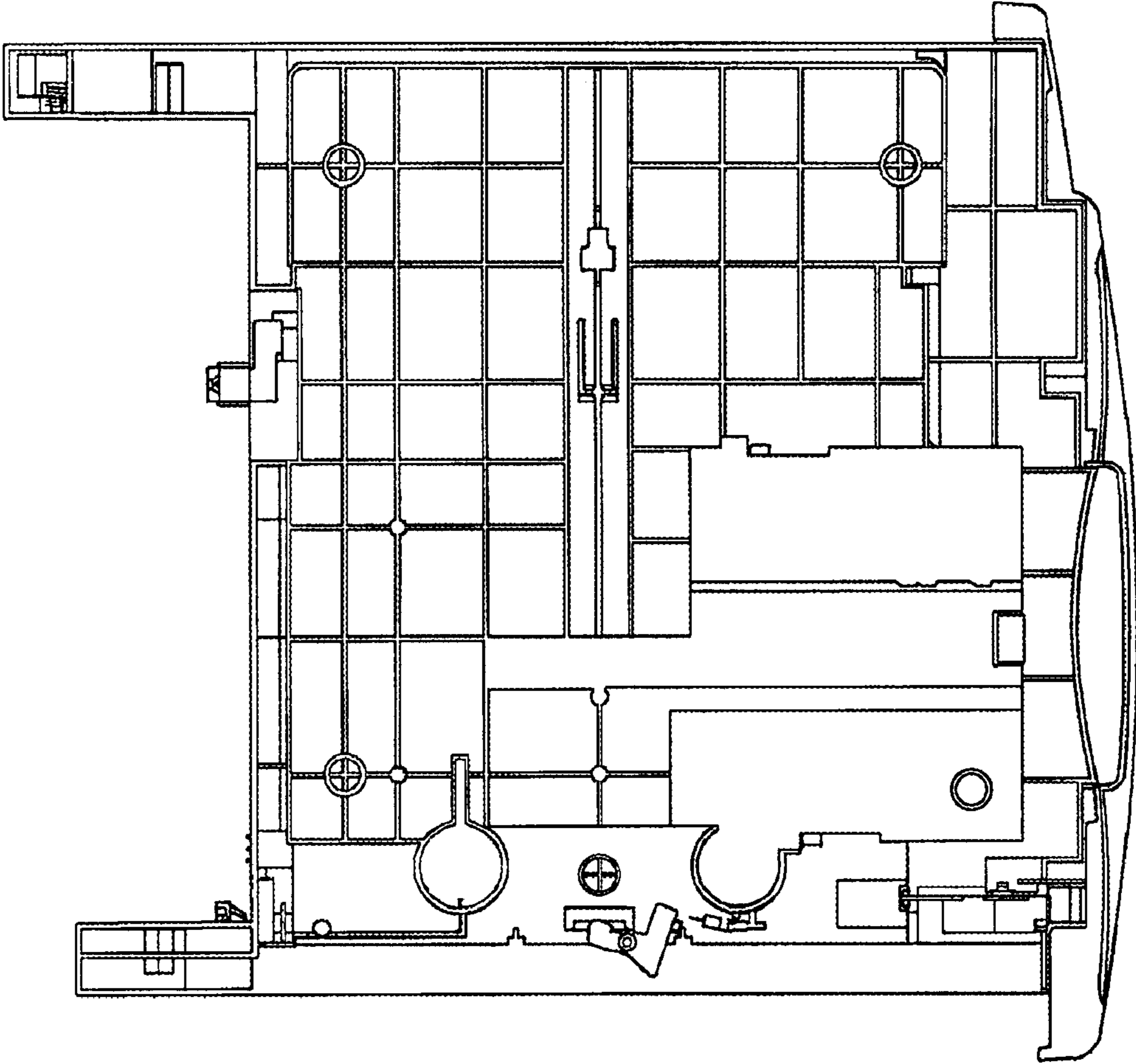


FIG. 8

UNITED STATES PATENT AND TRADEMARK OFFICE  
**CERTIFICATE OF CORRECTION**

PATENT NO. : Des. 556,252 S  
APPLICATION NO. : 29/246641  
DATED : November 27, 2007  
INVENTOR(S) : Yamagata et al.

Page 1 of 1

It is certified that error appears in the above-identified patent and that said Letters Patent is hereby corrected as shown below:

On Title Page, Item (57), DESCRIPTION, "FIG. 3 is a front view thereof" should be replaced with --FIG. 3 is a left side view thereof--;

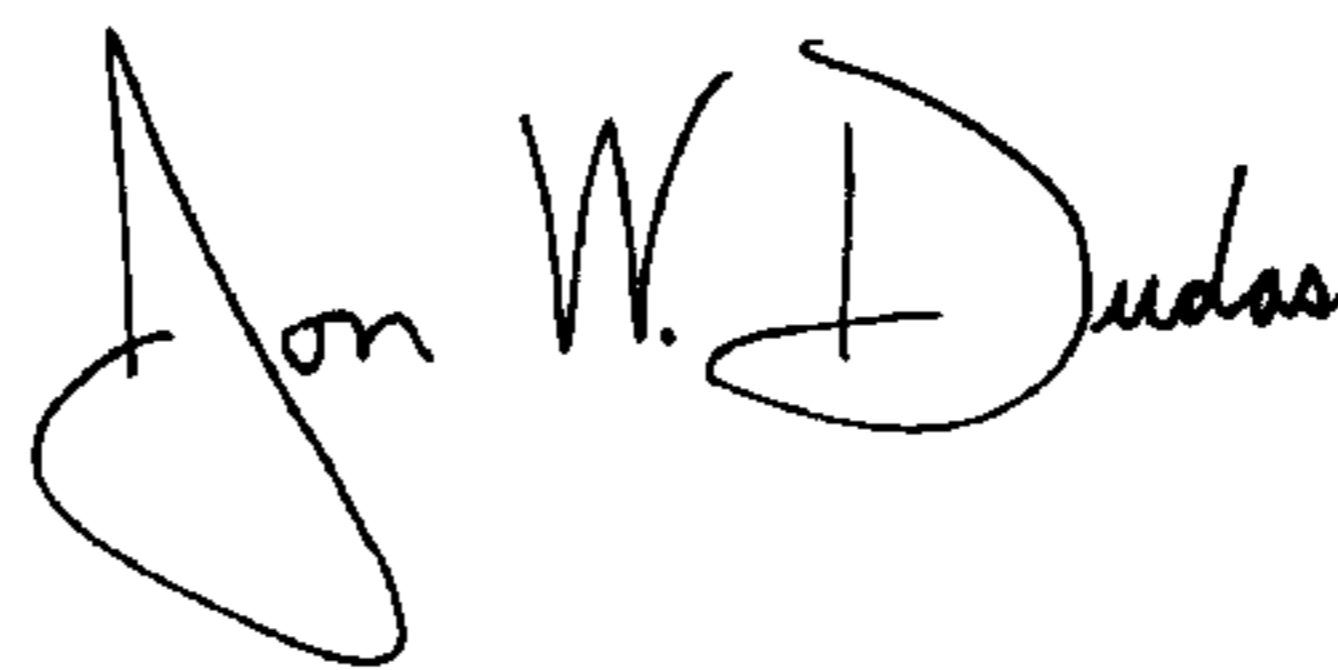
On Title Page, Item (57), DESCRIPTION, "FIG. 4 is a rear view thereof" should be replaced with --FIG. 4 is a right side view thereof--;

On Title Page, Item (57), DESCRIPTION, "FIG. 5 is a left side view thereof" should be replaced with --FIG. 5 is a rear view thereof--;

On Title Page, Item (57), DESCRIPTION, "FIG. 6 is a right side view thereof" should be replaced with --FIG. 6 is a front view thereof--;

Signed and Sealed this

Third Day of June, 2008

A handwritten signature in black ink that reads "Jon W. Dudas". The signature is written in a cursive style with a large, stylized initial "J".

JON W. DUDAS

*Director of the United States Patent and Trademark Office*