



US00D556238S

(12) **United States Design Patent**  
**Yang**

(10) **Patent No.:** **US D556,238 S**

(45) **Date of Patent:** **\*\* Nov. 27, 2007**

(54) **EYEWEAR**

(75) Inventor: **Shun-Tien Yang, Yung-Kang (TW)**

(73) Assignee: **All-Logic Int. Co., Ltd. (TW)**

(\*\*) Term: **14 Years**

(21) Appl. No.: **29/279,282**

(22) Filed: **Apr. 25, 2007**

(30) **Foreign Application Priority Data**

Mar. 6, 2007 (TW) ..... 96301253

(51) **LOC (8) Cl.** ..... **16-06**

(52) **U.S. Cl.** ..... **D16/312**

(58) **Field of Classification Search** ..... D16/101,  
D16/300-312, 313-330, 332-338, 900; D21/190;  
D24/110.2; 351/41, 44, 51, 52, 61-63; 2/426  
See application file for complete search history.

(56) **References Cited**

**U.S. PATENT DOCUMENTS**

- 5,459,533 A \* 10/1995 McCooeye et al. .... 351/62
- D403,689 S \* 1/1999 Mage ..... D16/312
- 5,949,514 A \* 9/1999 Wargon ..... 351/41
- D456,037 S \* 4/2002 Tabacchi ..... D16/312
- D457,550 S \* 5/2002 Wilson ..... D16/312

- D488,182 S \* 4/2004 Sheldon et al. .... D16/312
- D542,327 S \* 5/2007 Hsu ..... D16/312
- D542,830 S \* 5/2007 Hsu ..... D16/312
- 2003/0110552 A1 \* 6/2003 Youmans et al. .... 2/426
- 2005/0183191 A1 \* 8/2005 Tominaga et al. .... 2/426

\* cited by examiner

*Primary Examiner*—T. Chase Nelson

*Assistant Examiner*—Barbara B Lohr

(74) *Attorney, Agent, or Firm*—Caesar, Rivise, Bernstein,  
Cohen & Pokotilow, Ltd.

(57) **CLAIM**

The ornamental design for eyewear, as shown and described.

**DESCRIPTION**

FIG. 1 is a perspective view of eyewear showing my new design;

FIG. 2 is a front elevational view thereof;

FIG. 3 is a rear elevational view thereof;

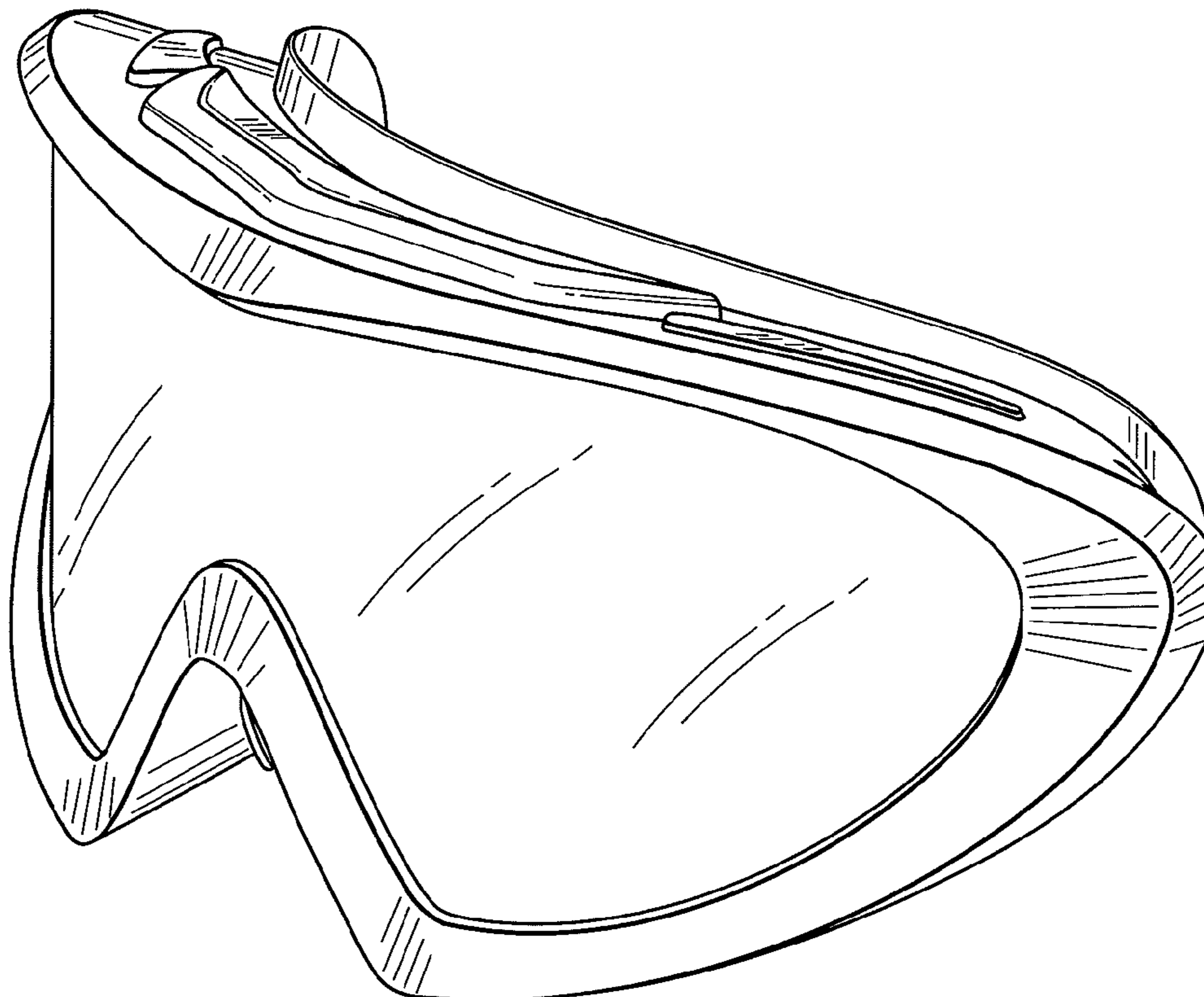
FIG. 4 is a left side elevational view thereof;

FIG. 5 is a right side elevational view thereof;

FIG. 6 is a top plan view thereof; and,

FIG. 7 is a bottom plan view thereof.

**1 Claim, 4 Drawing Sheets**



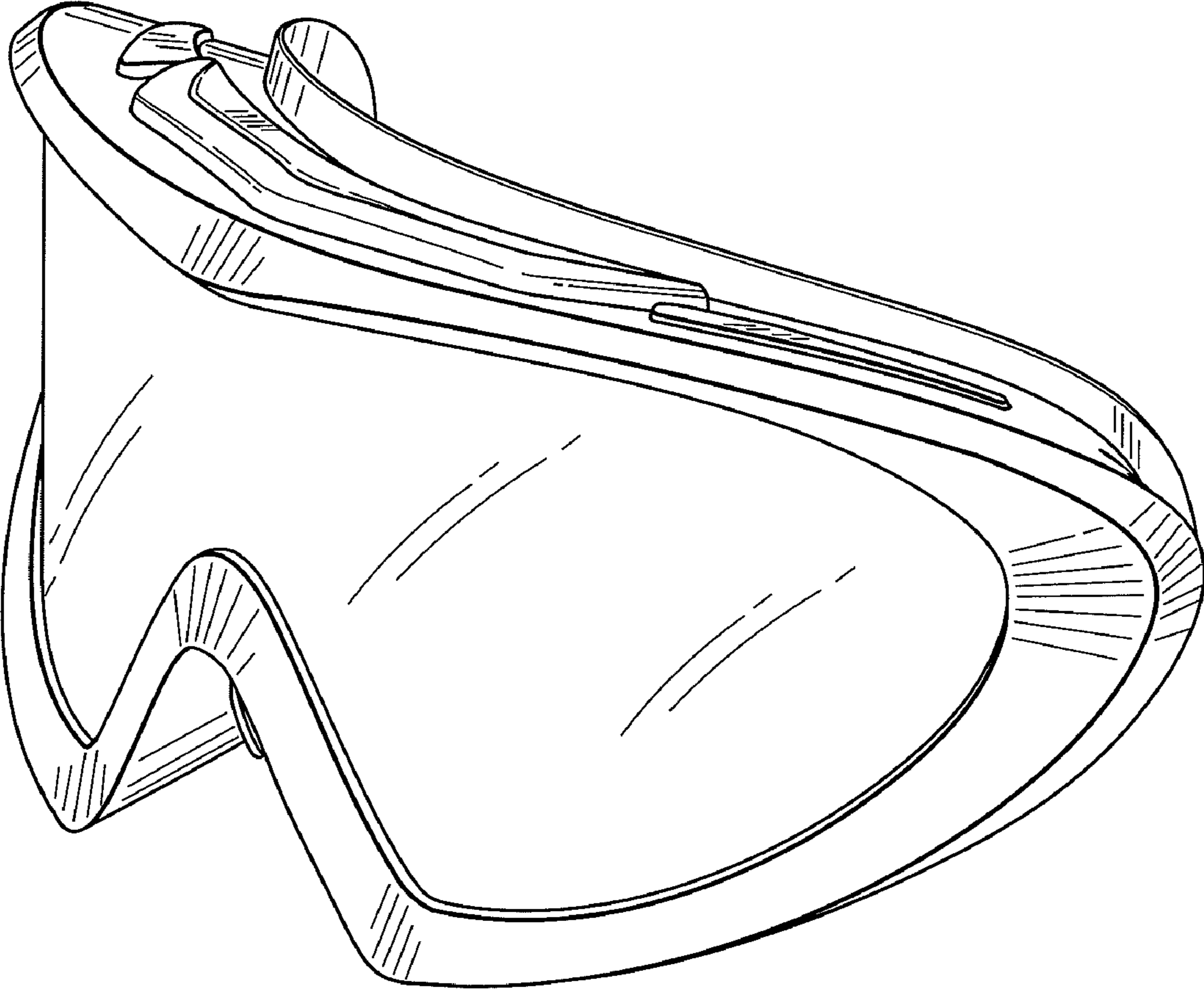


FIG. 1

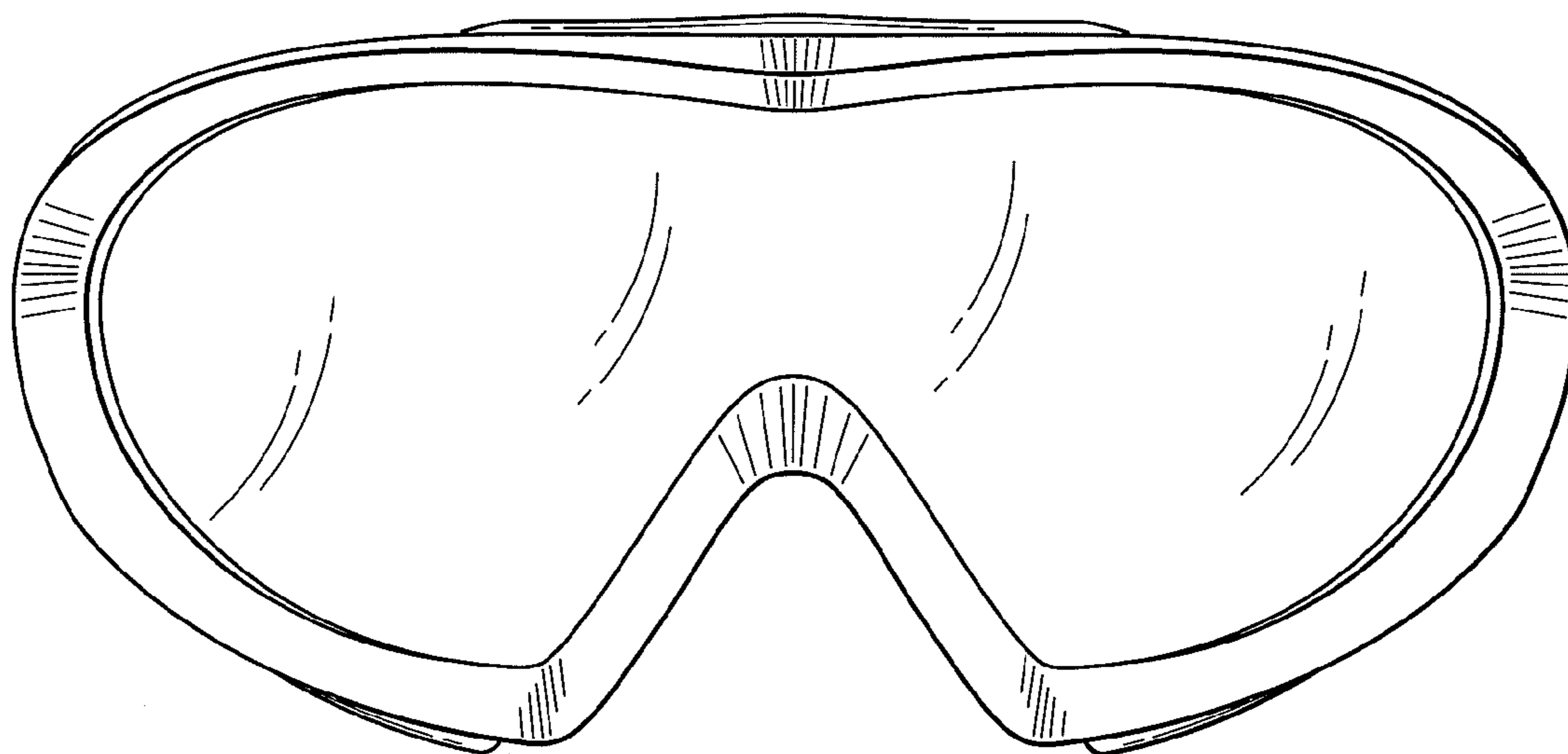


FIG. 2

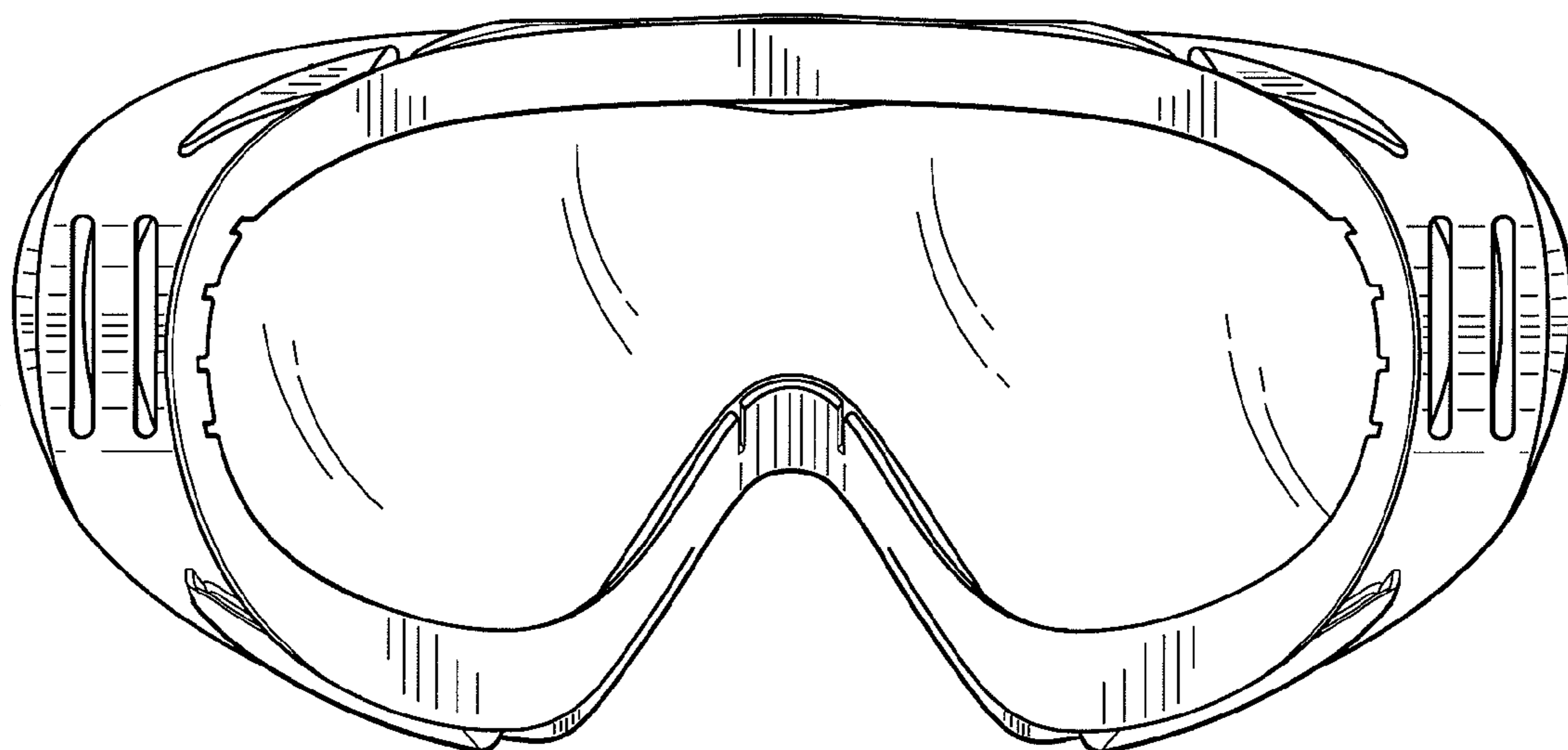


FIG. 3

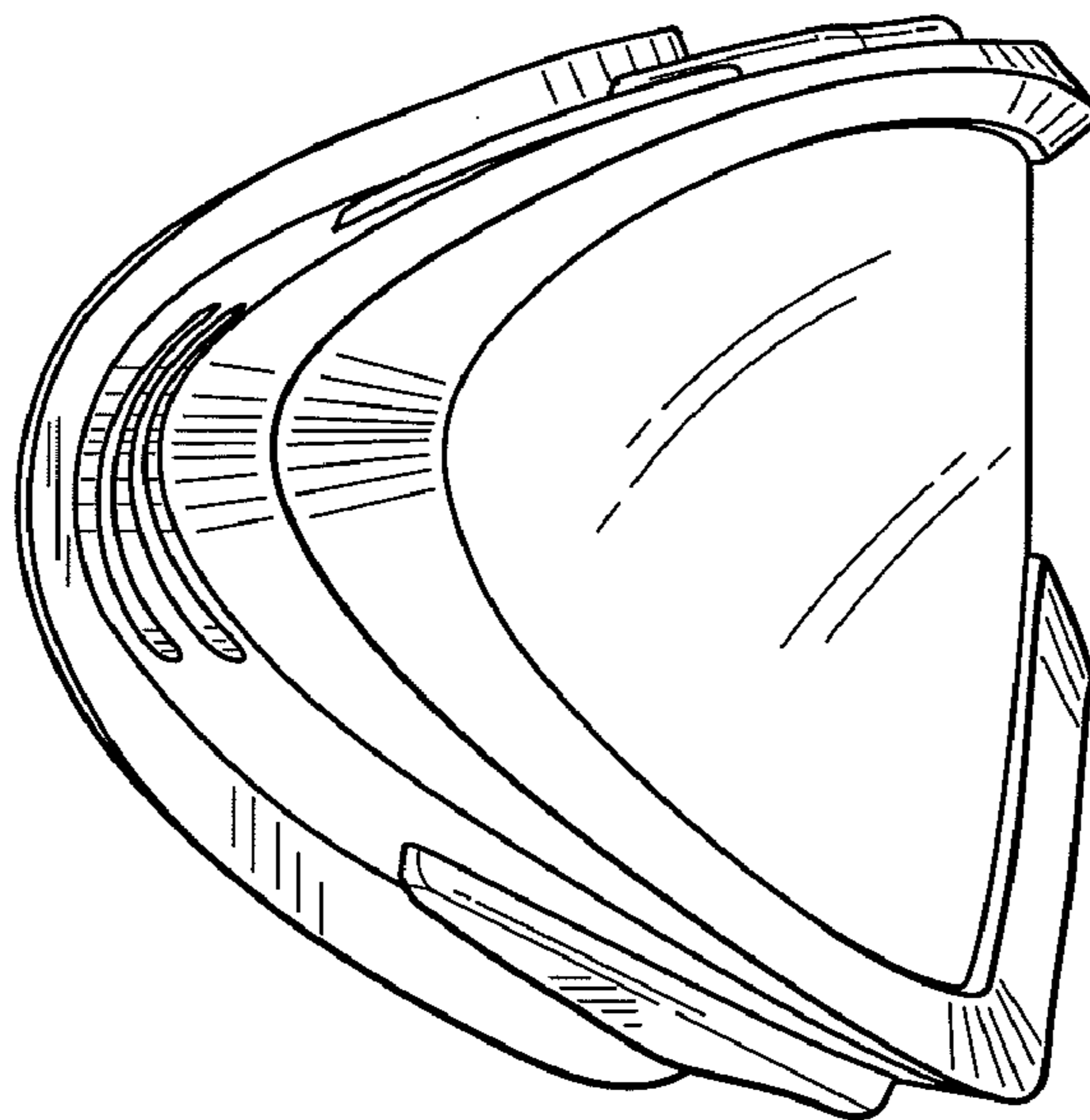


FIG. 4

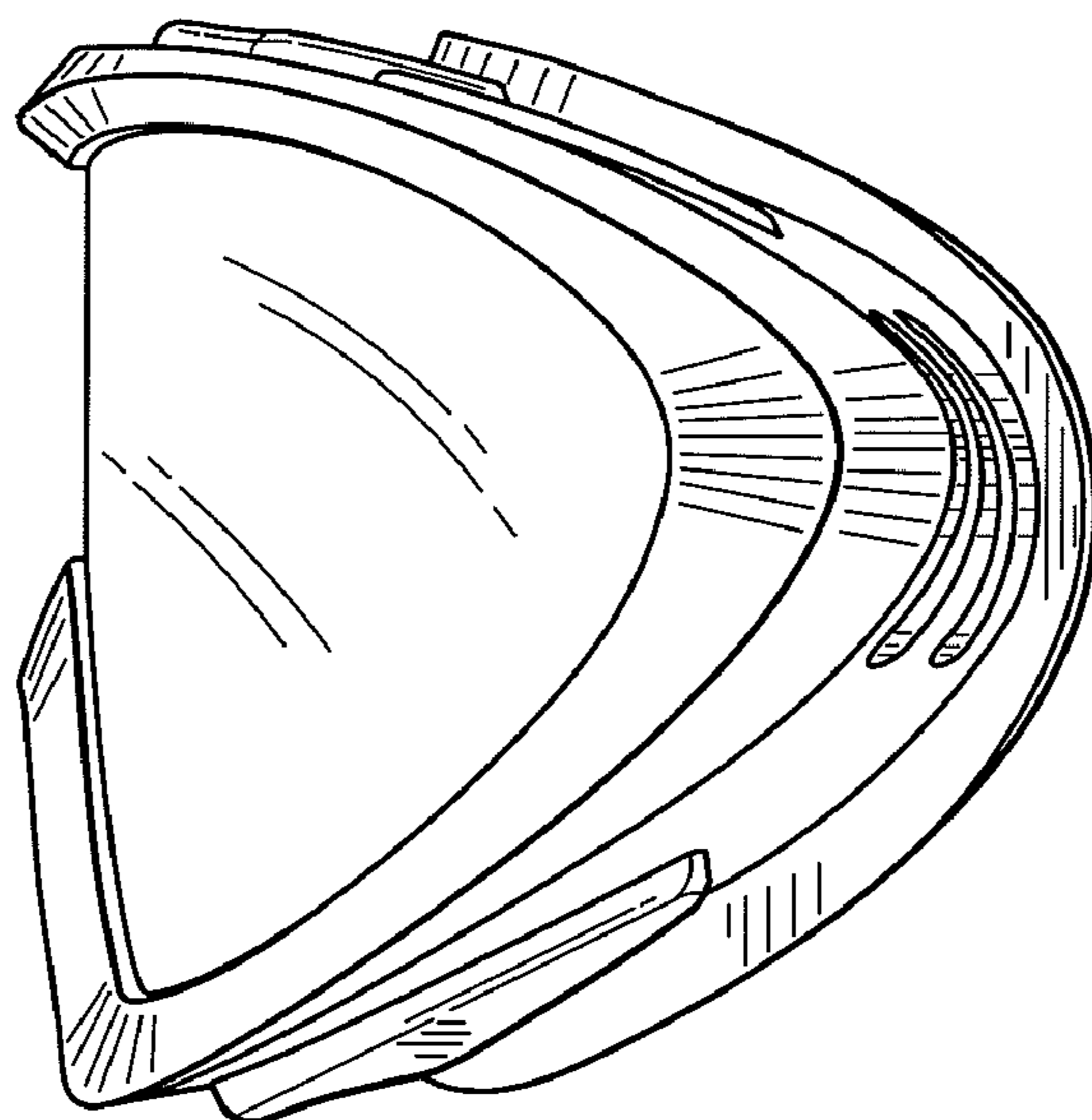


FIG. 5

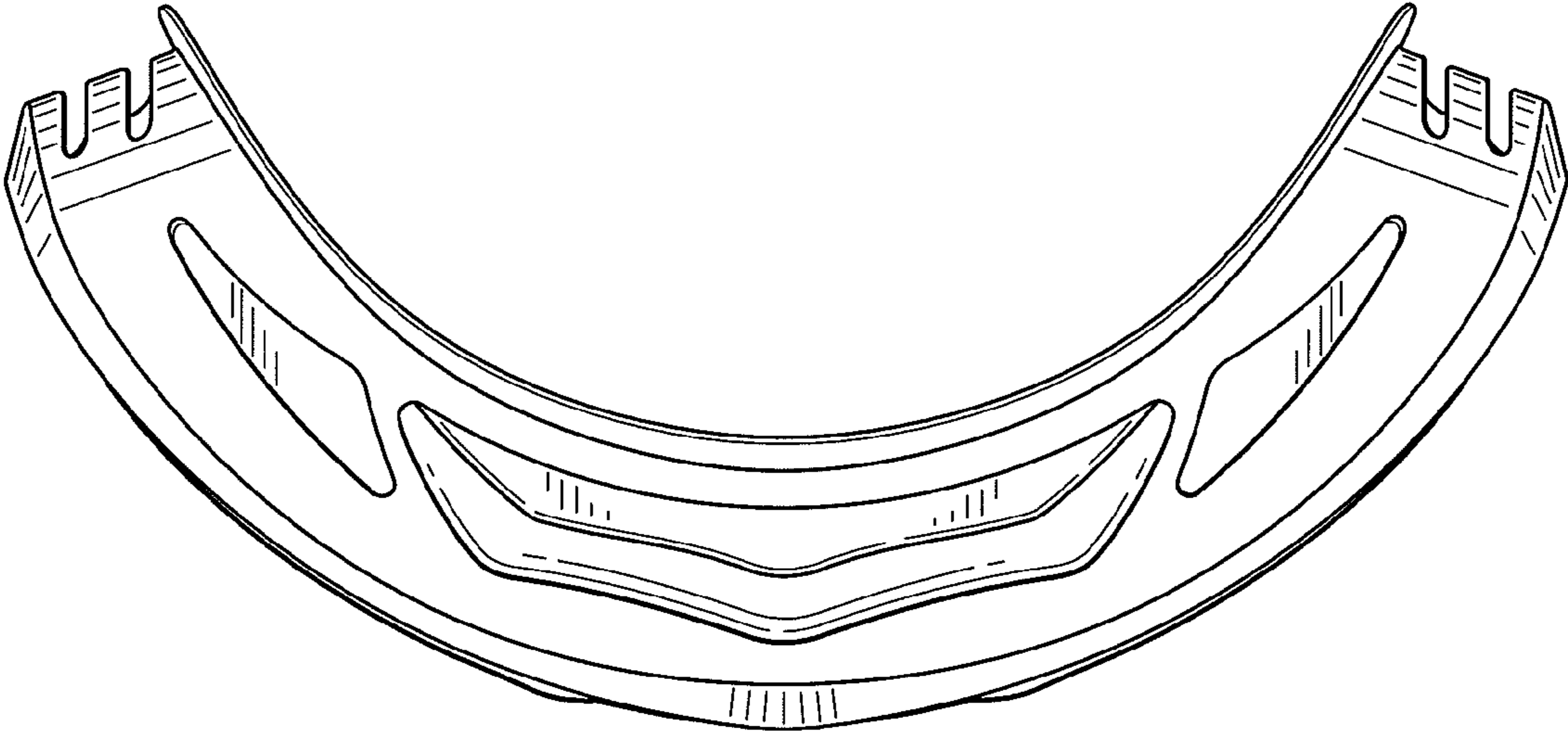


FIG. 6

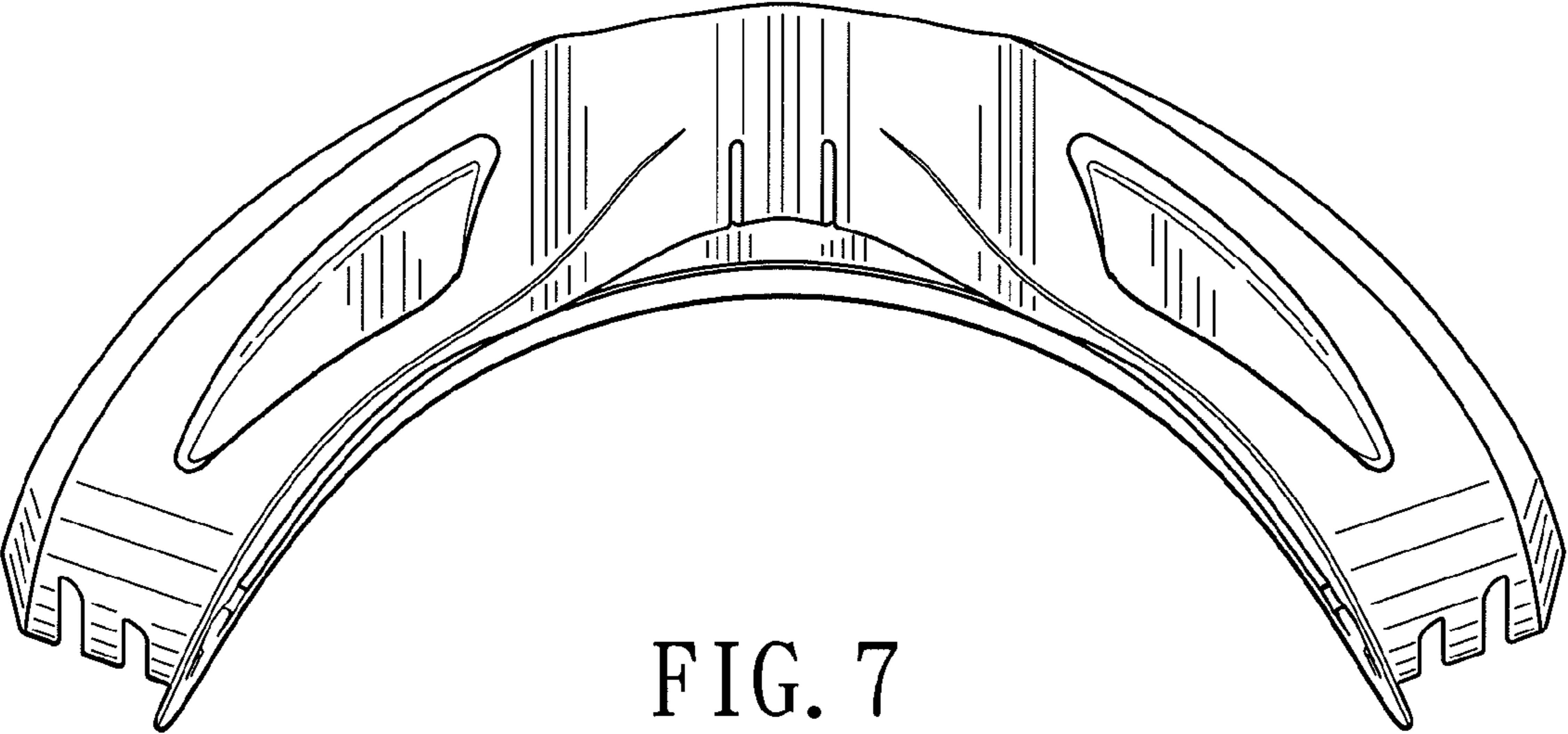


FIG. 7