



US00D556237S

(12) **United States Design Patent** (10) **Patent No.:** **US D556,237 S**
On et al. (45) **Date of Patent:** **** Nov. 27, 2007**

(54) **PROJECTOR**

(75) Inventors: **Peter On**, Corvallis, OR (US); **Glen A. Oross**, Corvallis, OR (US); **David A Williams**, Corvallis, OR (US); **Dennis R Esterberg**, Philomath, OR (US)

(73) Assignee: **Hewlett-Packard Development Company, L.P.**, Houston, TX (US)

(**) Term: **14 Years**

(21) Appl. No.: **29/215,622**

(22) Filed: **Oct. 20, 2004**

(51) **LOC (8) Cl.** **16-02**

(52) **U.S. Cl.** **D16/231**

(58) **Field of Classification Search** D16/205,
D16/208, 213, 221, 225, 230, 231, 234; D21/514;
353/115, 119, 122

See application file for complete search history.

(56) **References Cited**

U.S. PATENT DOCUMENTS

| | | | |
|--------------|---------|------------------|---------|
| D341,136 S | 11/1993 | Shimizu et al. | |
| D379,190 S | 5/1997 | Takami et al. | |
| D400,902 S | 11/1998 | Yamazaki et al. | |
| D401,260 S | 11/1998 | Kodama et al. | |
| D401,955 S | 12/1998 | Kawamoto et al. | |
| D402,679 S | 12/1998 | Kawamoto et al. | |
| D421,269 S | 2/2000 | Murakami | |
| D436,980 S | 1/2001 | Takeuchi et al. | |
| D454,360 S | 3/2002 | Shimizu et al. | |
| D463,474 S | 9/2002 | Kawashima | |
| D465,233 S | 11/2002 | Nagai | |
| D472,570 S * | 4/2003 | Takahashi | D16/230 |
| D475,389 S * | 6/2003 | Kurokawa | D16/230 |
| D476,024 S | 6/2003 | Shimamoto | |
| D476,353 S | 6/2003 | Morishita et al. | |
| D477,833 S | 7/2003 | Kurokawa et al. | |
| D479,261 S | 9/2003 | Kawasaki et al. | |
| D479,551 S | 9/2003 | Min et al. | |
| D480,410 S | 10/2003 | Morishita et al. | |
| D482,380 S | 11/2003 | Salvatori et al. | |

| | | | |
|----------------|---------|------------------|---------|
| D482,381 S | 11/2003 | Morishita et al. | |
| D482,715 S | 11/2003 | Schoenert et al. | |
| D482,716 S | 11/2003 | Azuma et al. | |
| D488,179 S | 4/2004 | Salvatori et al. | |
| D488,180 S | 4/2004 | Schoenert et al. | |
| D492,338 S * | 6/2004 | Ooshima | D16/230 |
| D492,339 S | 6/2004 | Niitsu | |
| D492,714 S | 7/2004 | Morishita et al. | |
| 6,793,346 B2 * | 9/2004 | Nakano et al. | 353/119 |
| D497,929 S * | 11/2004 | Ohki et al. | D16/230 |
| D503,733 S * | 4/2005 | Kurokawa | D16/225 |
| D504,453 S * | 4/2005 | Junsi et al. | D16/231 |
| D506,770 S * | 6/2005 | Saeki et al. | D16/230 |

FOREIGN PATENT DOCUMENTS

JP 1078936 * 7/2000

* cited by examiner

Primary Examiner—Adir Aronovich

(57) **CLAIM**

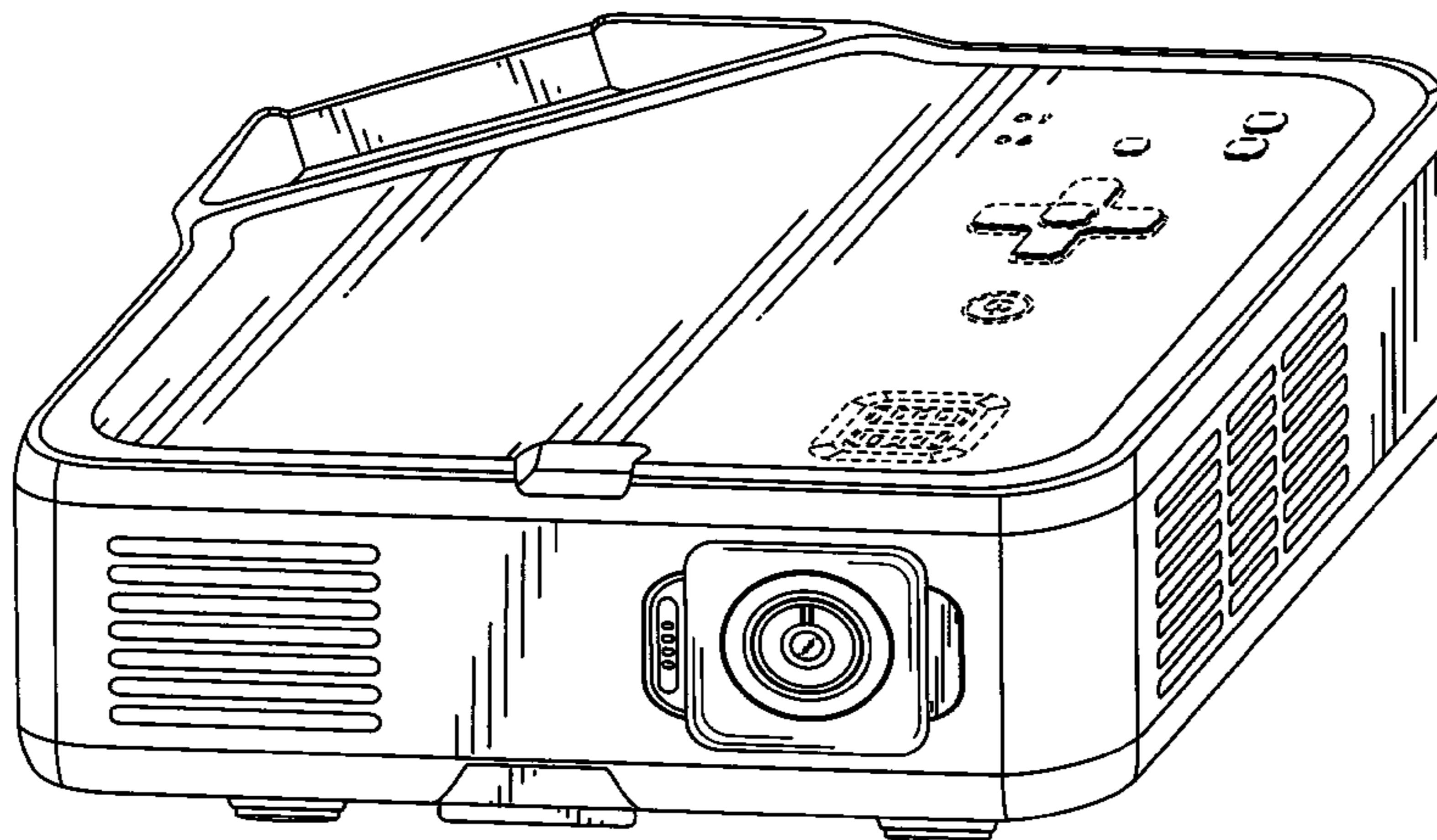
The ornamental design for a projector, as shown and described.

DESCRIPTION

FIG. 1 is a top view of the projector.
 FIG. 2 is a front view of the projector with a sliding lens cover being in an open position.
 FIG. 3 is a bottom view of the projector.
 FIG. 4 is a left side elevation view of the projector.
 FIG. 5 is a right side elevation view of the projector.
 FIG. 6 is a rear view of the projector.
 FIG. 7 is a front view of the projector with a sliding lens cover being in a closed position; and,
 FIG. 8 is a perspective view of the projector.

The broken line showing of control devices and interface elements is included for the purpose of illustration only and forms no part of the claimed design.

1 Claim, 8 Drawing Sheets



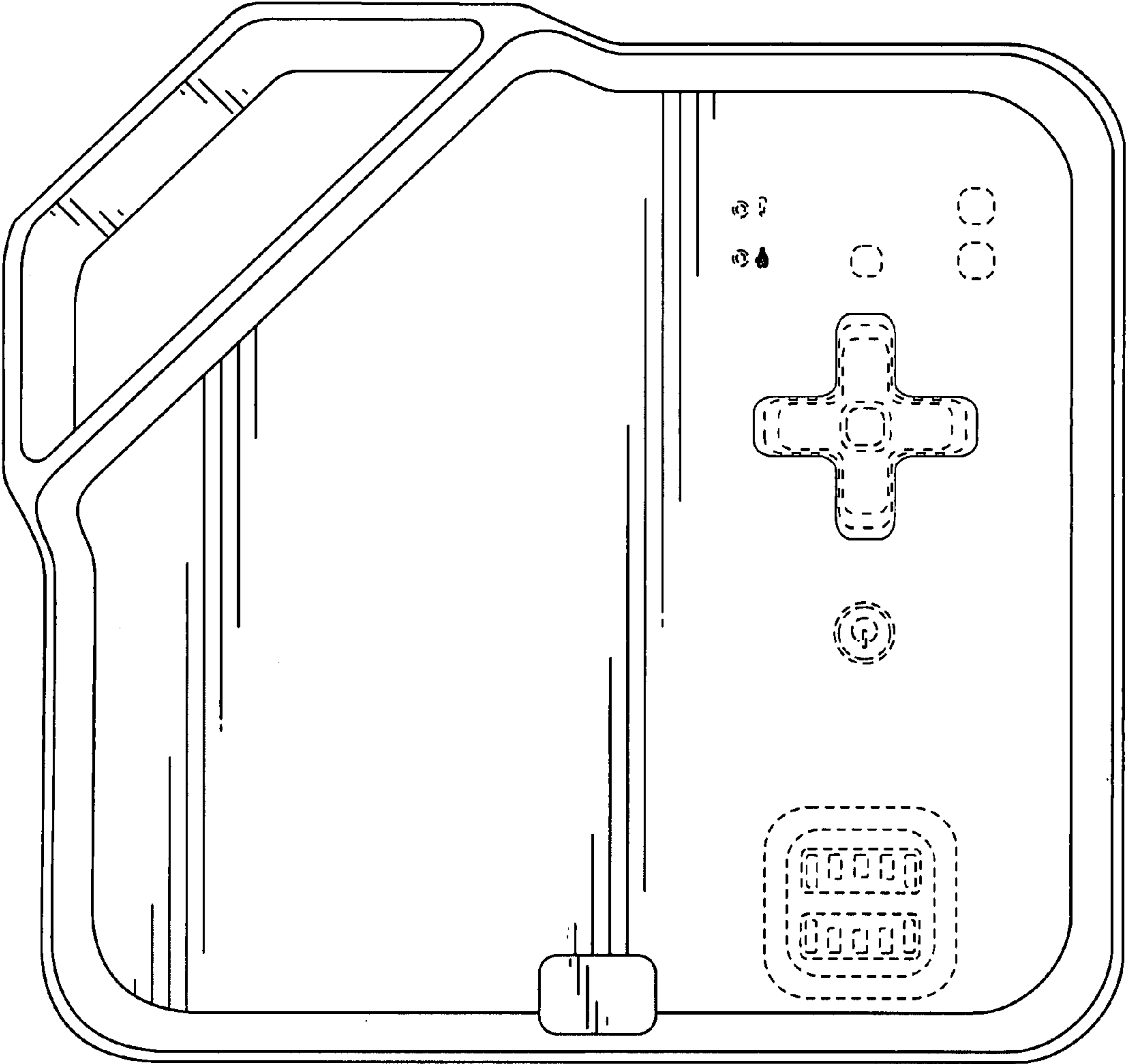


Fig. 1

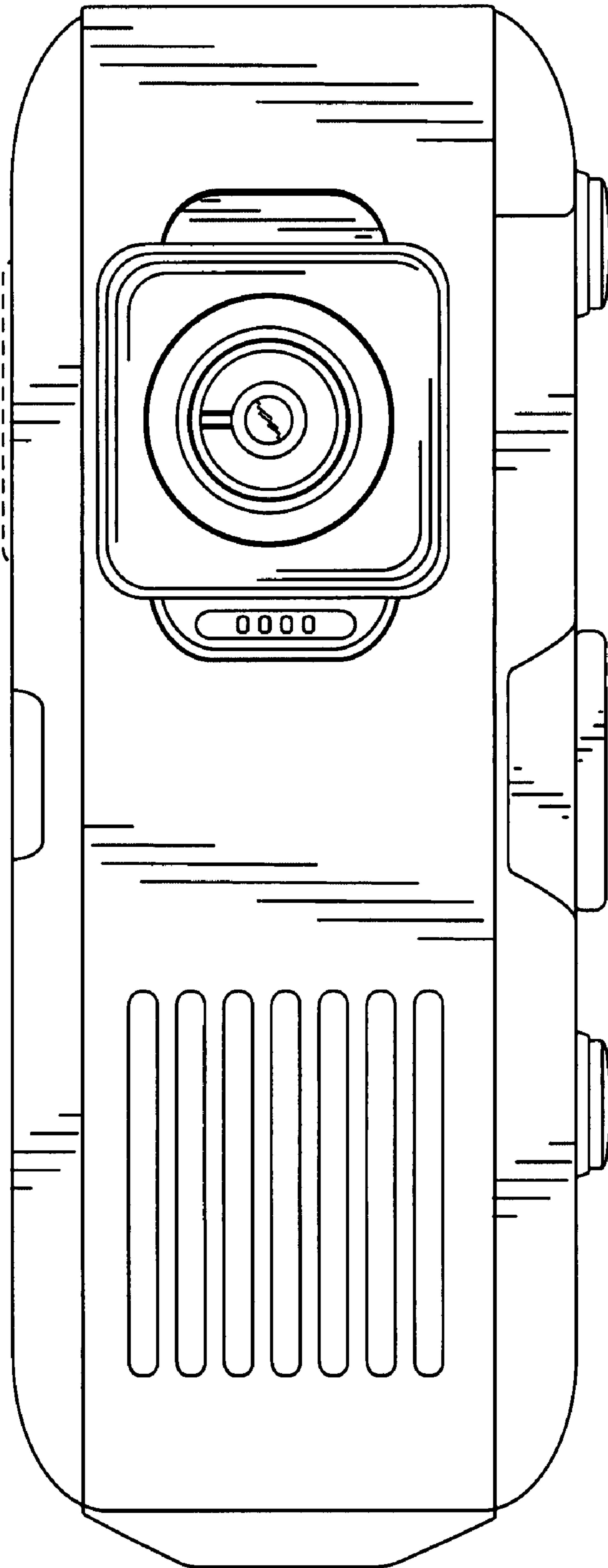


Fig. 2

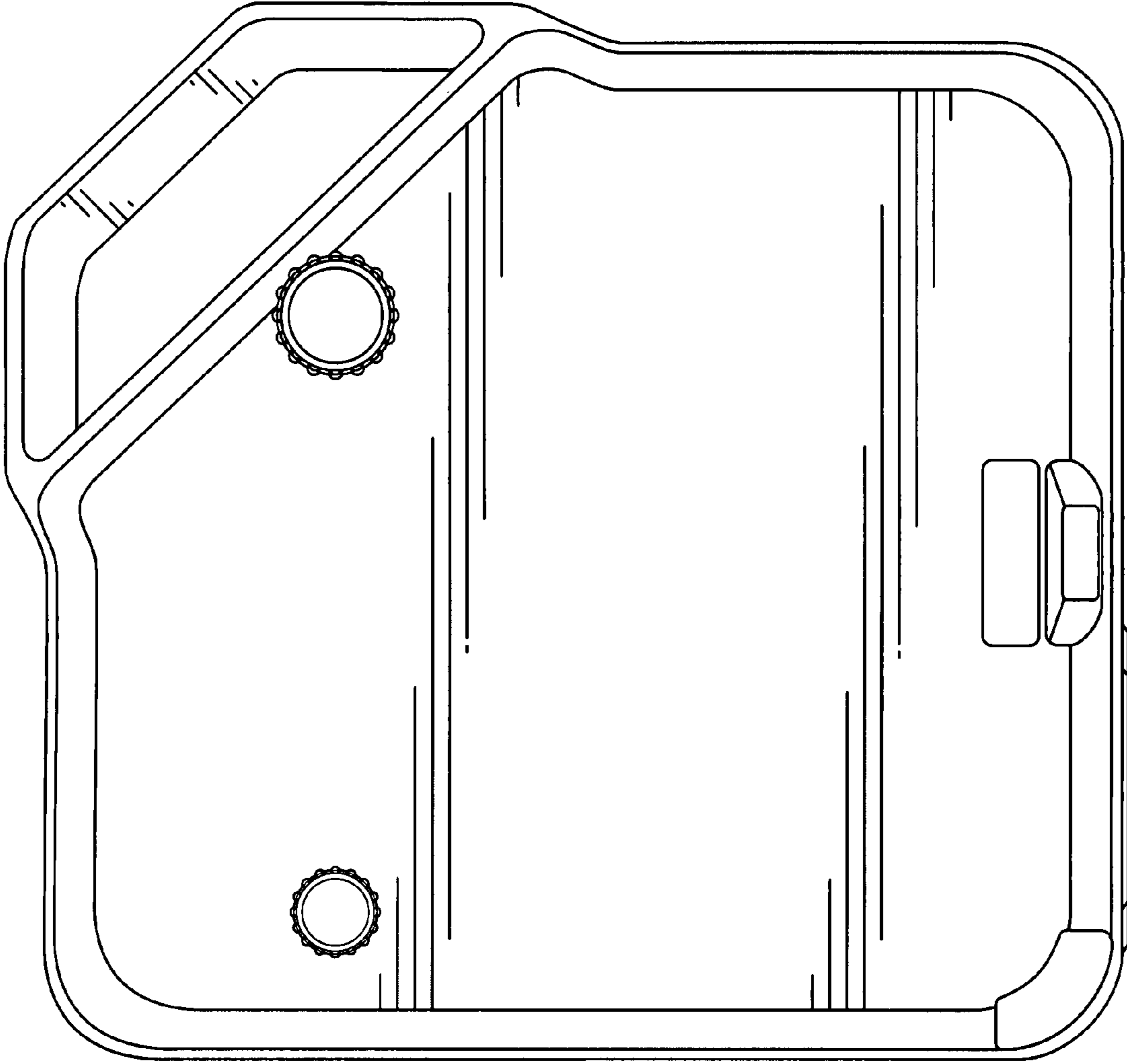


Fig. 3

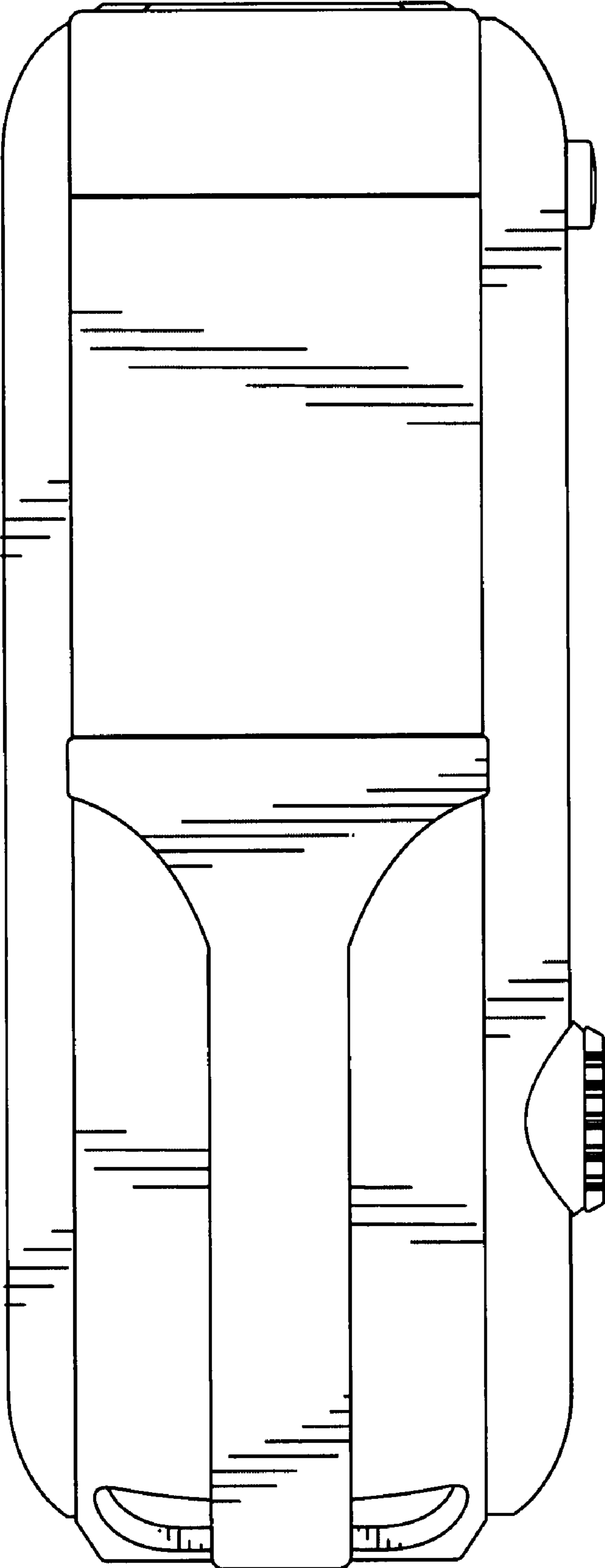


Fig. 4

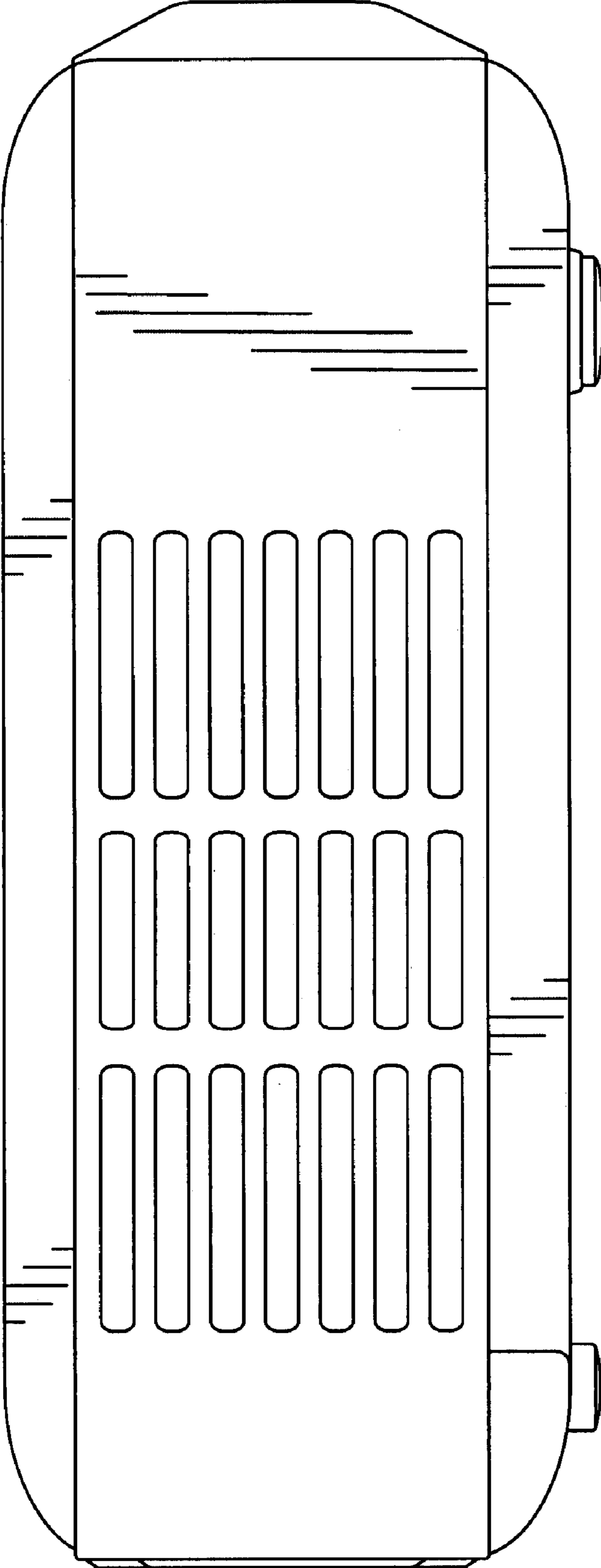


Fig. 5

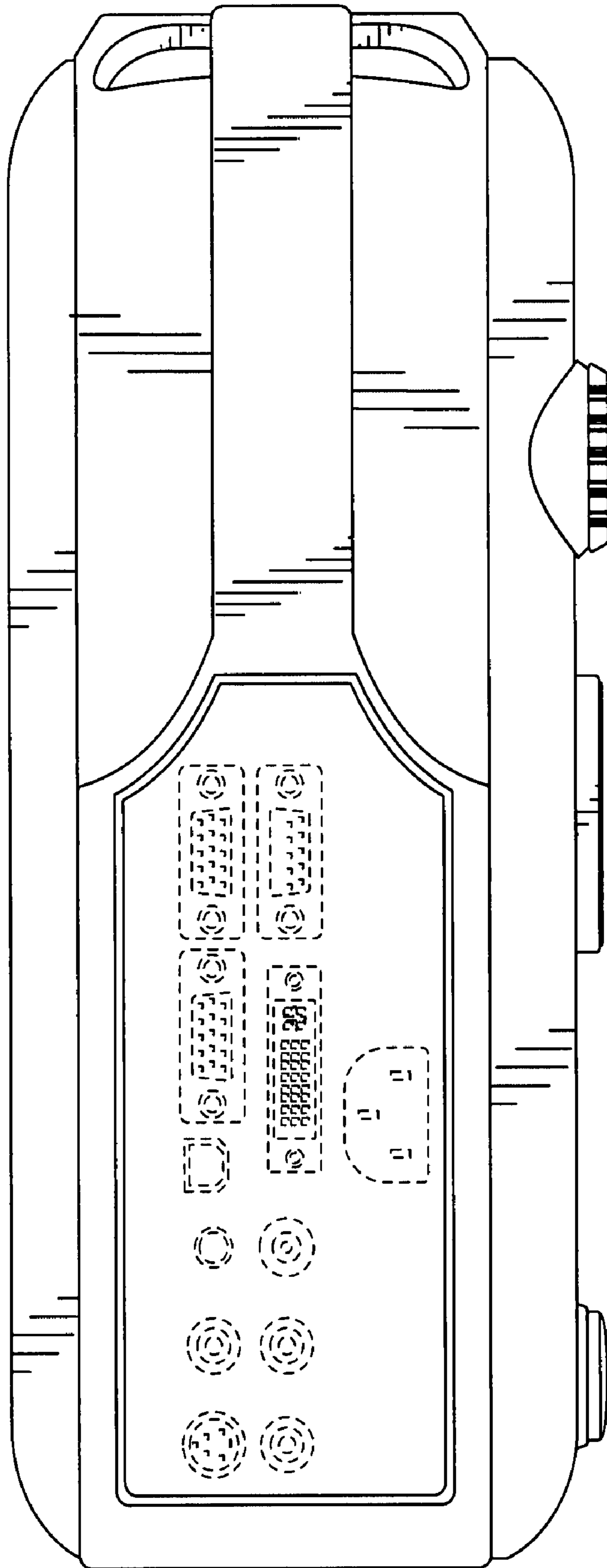


Fig. 6

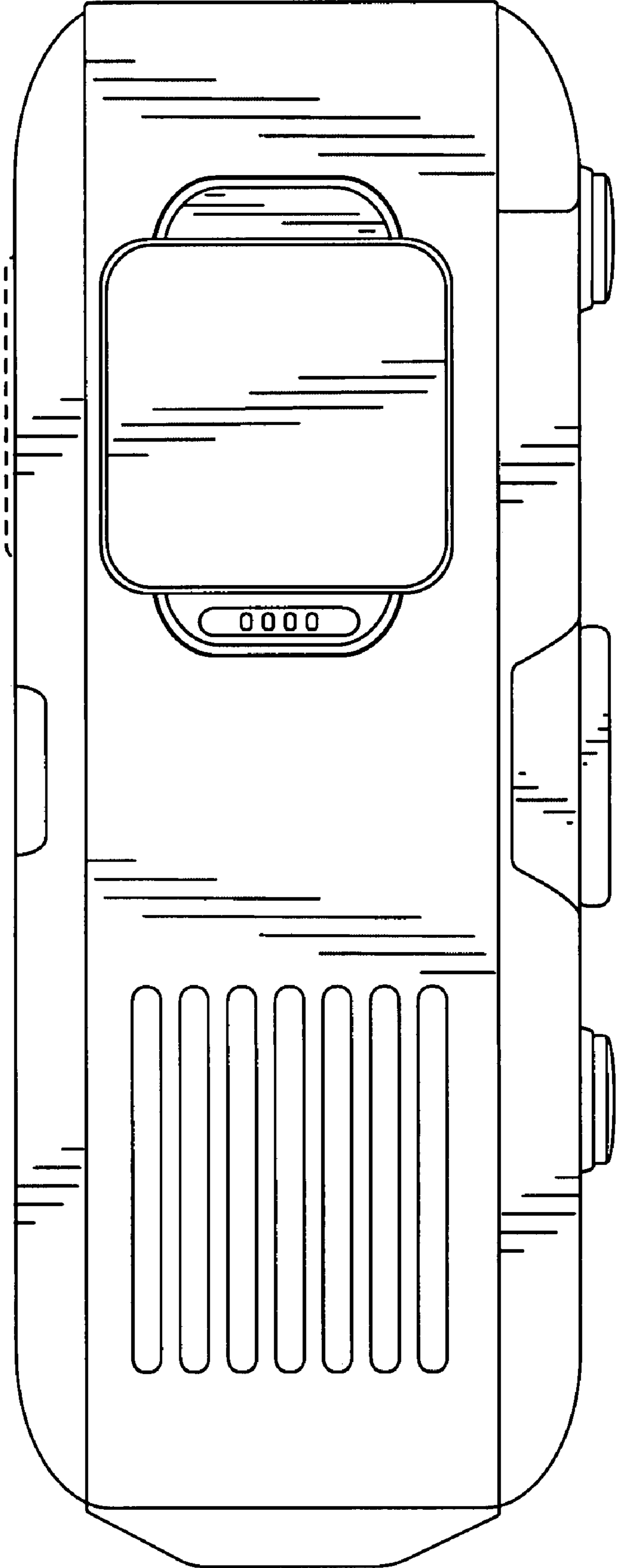


Fig. 7

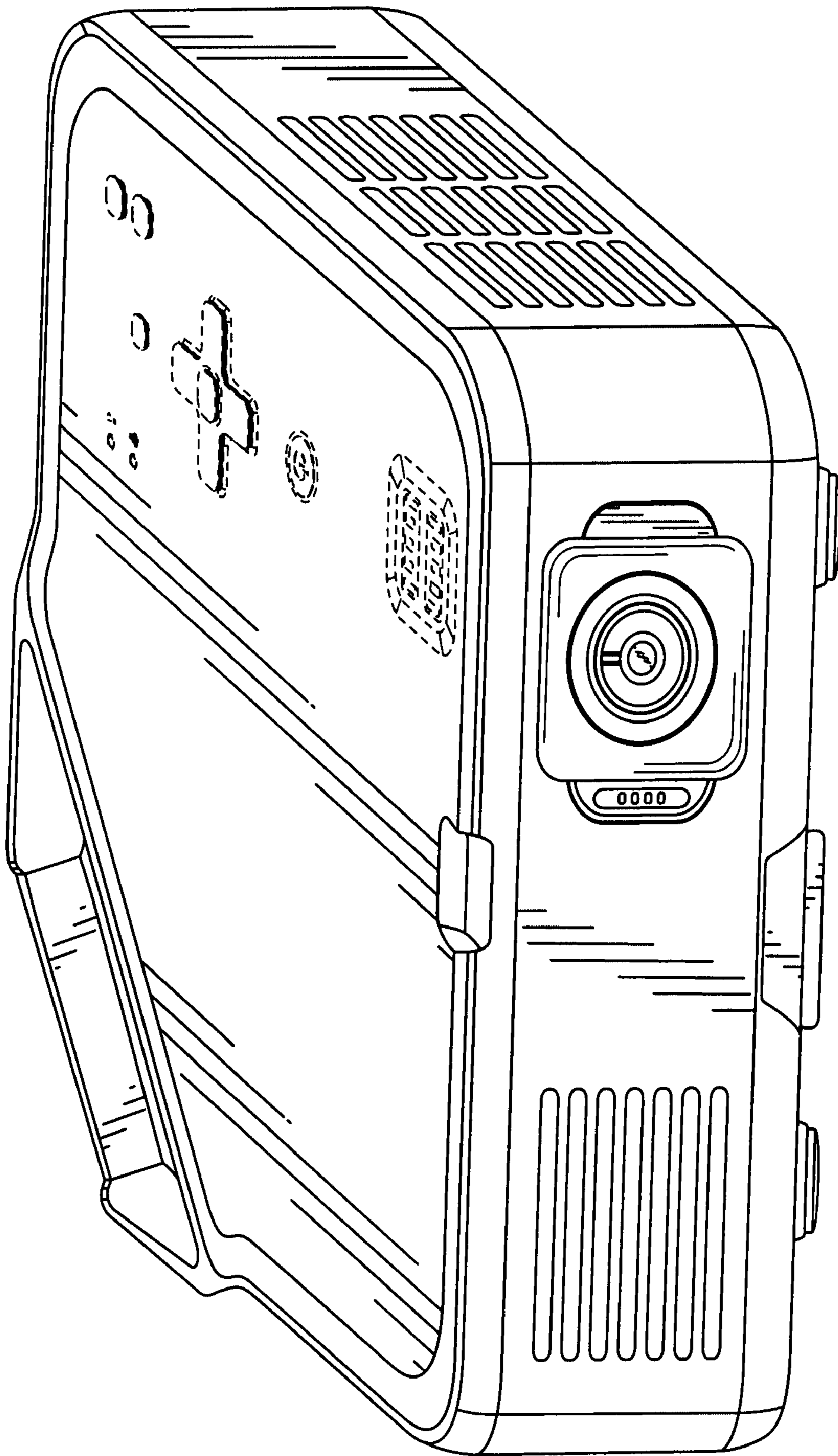


Fig. 8