



US00D556236S

(12) **United States Design Patent**
Kim

(10) **Patent No.:** **US D556,236 S**

(45) **Date of Patent:** **** Nov. 27, 2007**

(54) **SECURITY CAMERA**

2006/0050150 A1* 3/2006 Yamane 348/151

(75) Inventor: **Young Sang Kim**, Kwachon (KR)

* cited by examiner

(73) Assignee: **Nuvico, Inc.**, Englewood, NJ (US)

Primary Examiner—Ian Simmons

Assistant Examiner—Wan Laymon

(**) Term: **14 Years**

(74) *Attorney, Agent, or Firm*—Day Pitney LLP

(21) Appl. No.: **29/265,291**

(57) **CLAIM**

(22) Filed: **Aug. 29, 2006**

The ornamental design for a security camera, as shown and described.

DESCRIPTION

(51) **LOC (8) Cl.** **16-01**

(52) **U.S. Cl.** **D16/203; D16/202**

(58) **Field of Classification Search** D16/200–206,
D16/208–209, 218–219, 214, 242; 348/143,
348/151, 373–376; 396/427, 535–541
See application file for complete search history.

FIG. 1 is a bottom perspective view of a security camera showing my new design;

FIG. 2 is a top plan view thereof;

FIG. 3 is a side elevational view thereof;

FIG. 4 is a bottom plan view thereof;

FIG. 5 a top perspective view thereof with the surface mount plate removed for ease of illustration;

FIG. 6 is a top plan view thereof; and,

FIG. 7 is a side elevational view thereof opposite that shown in FIG. 3.

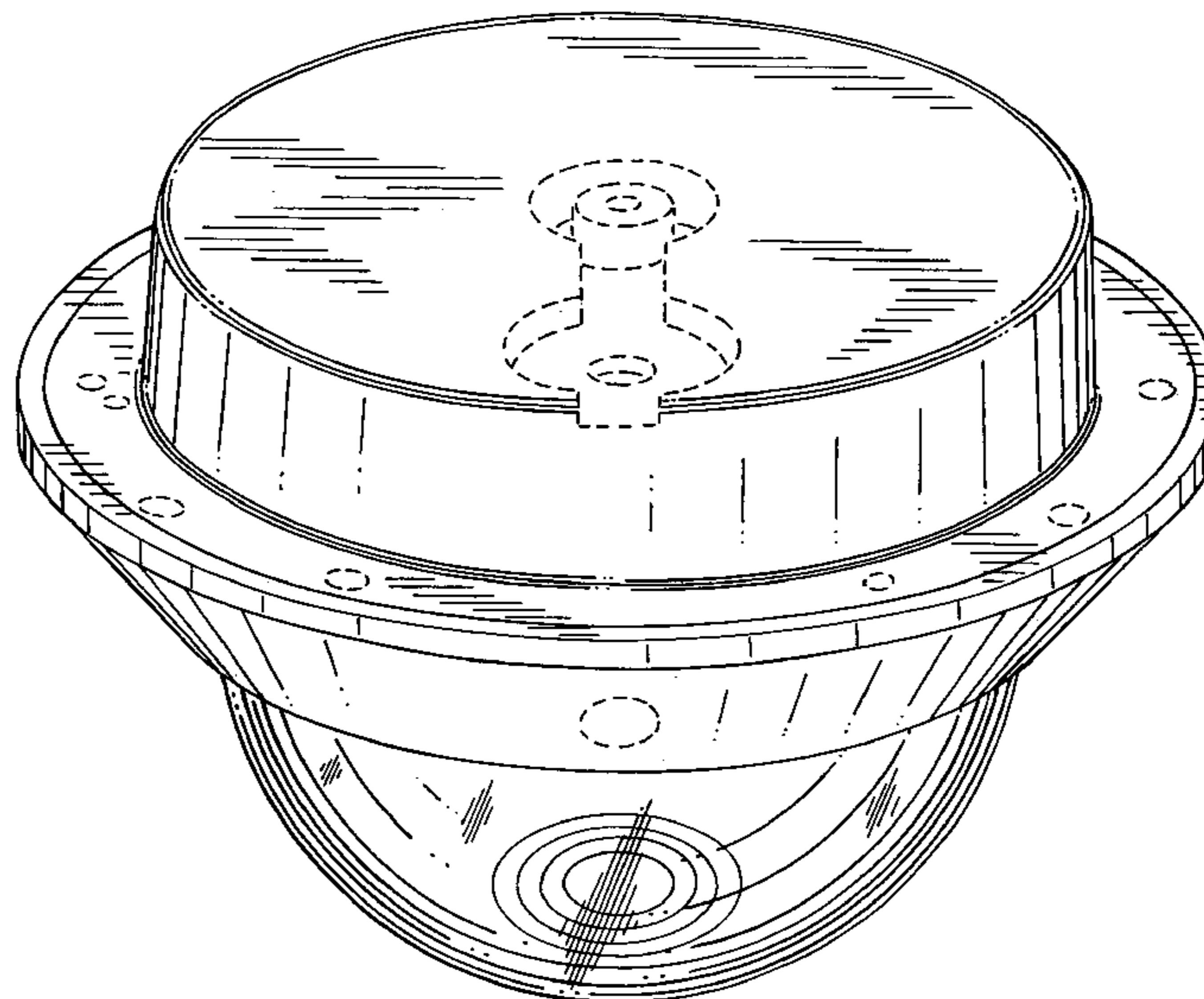
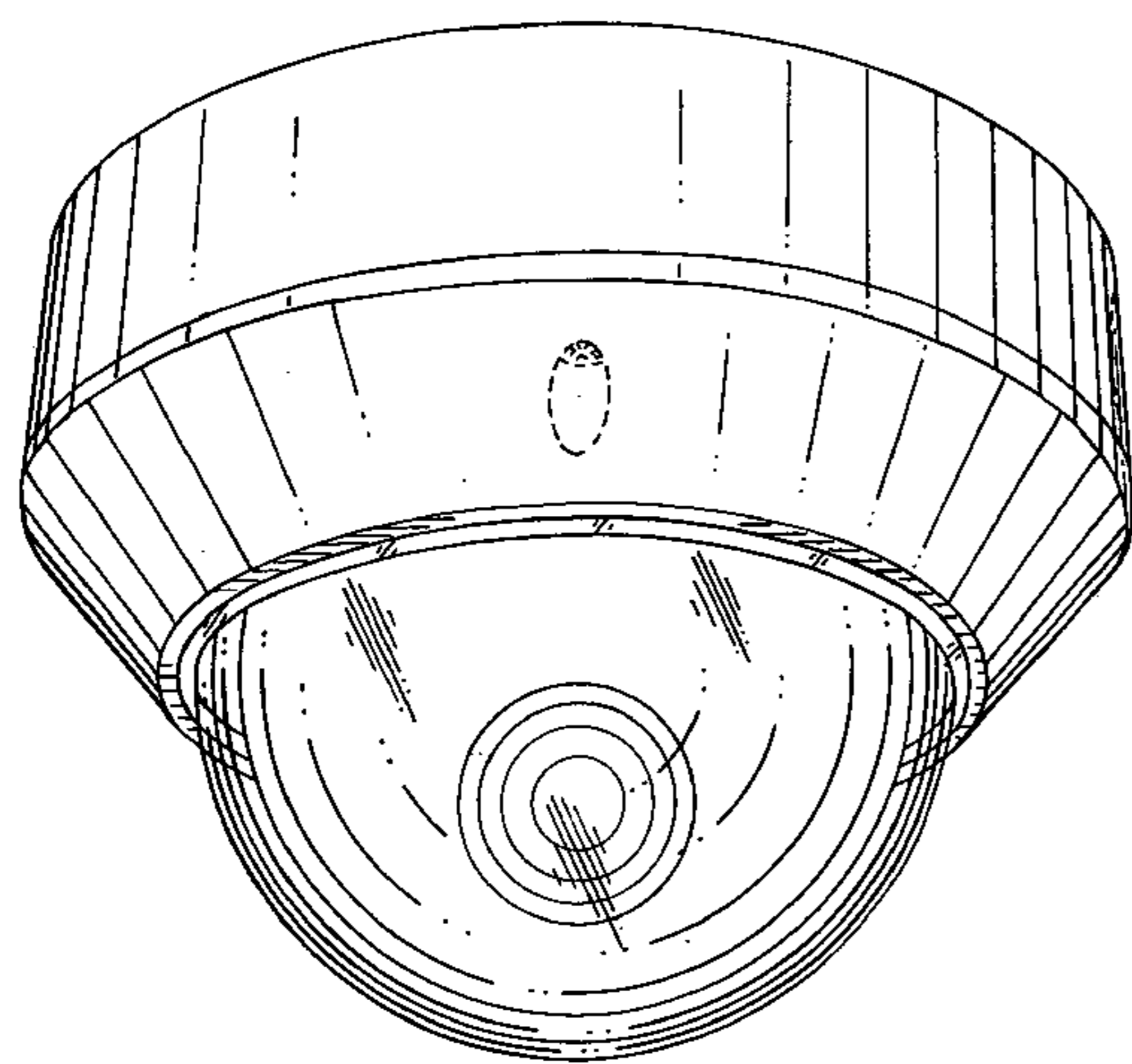
The broken lines in the Figures are for illustrative purposes only and form no part of the claimed design.

(56) **References Cited**

U.S. PATENT DOCUMENTS

D412,924 S	*	8/1999	Hiraguchi	D16/219
D415,509 S	*	10/1999	Hiraguchi	D16/203
D416,273 S	*	11/1999	Yamakawa et al.	D16/203
D449,630 S	*	10/2001	Rak et al.	D16/203
D499,126 S	*	11/2004	Kato et al.	D16/203
D513,028 S	*	12/2005	Maruyama	D16/203

1 Claim, 4 Drawing Sheets



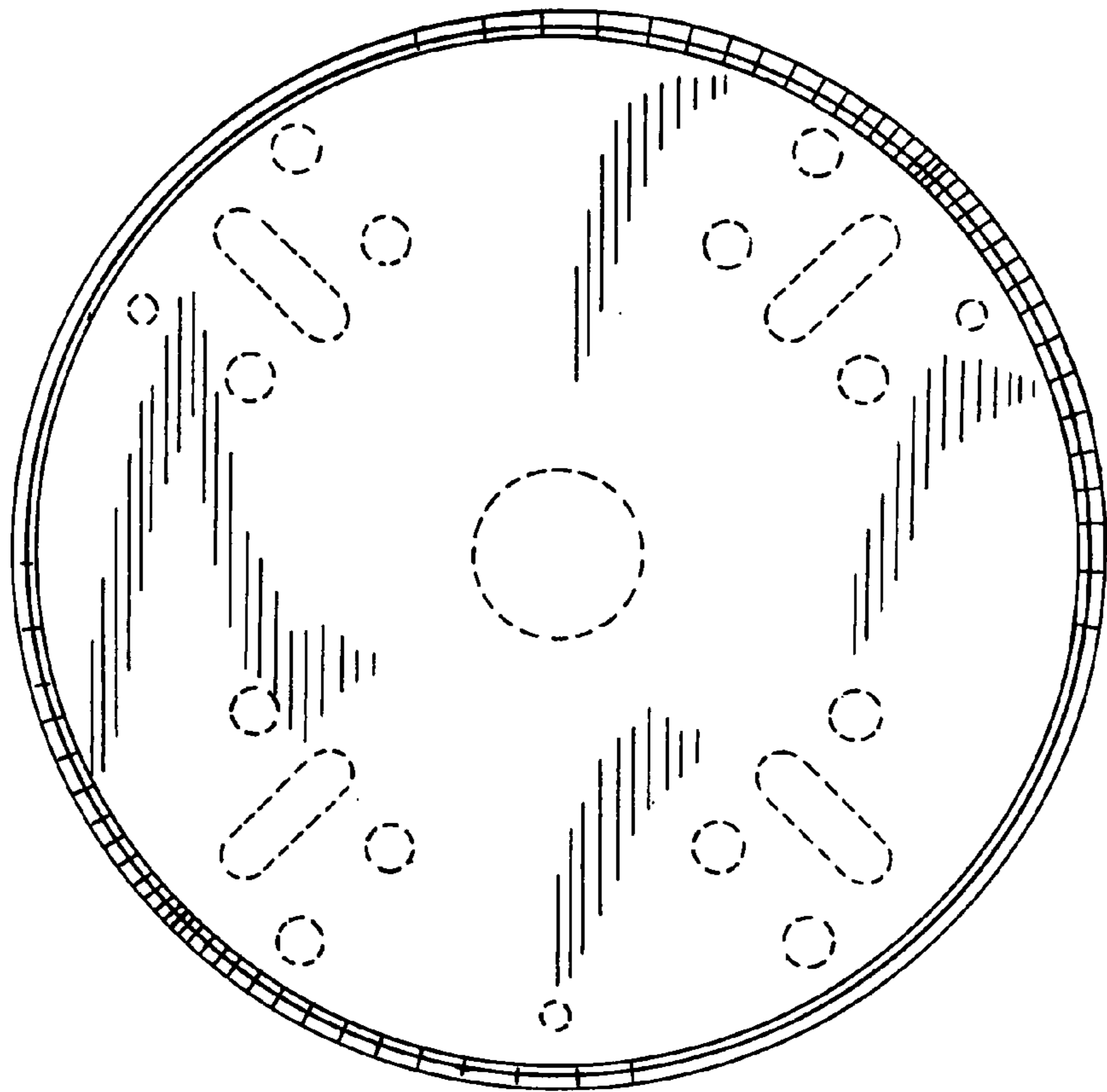


FIG. 2

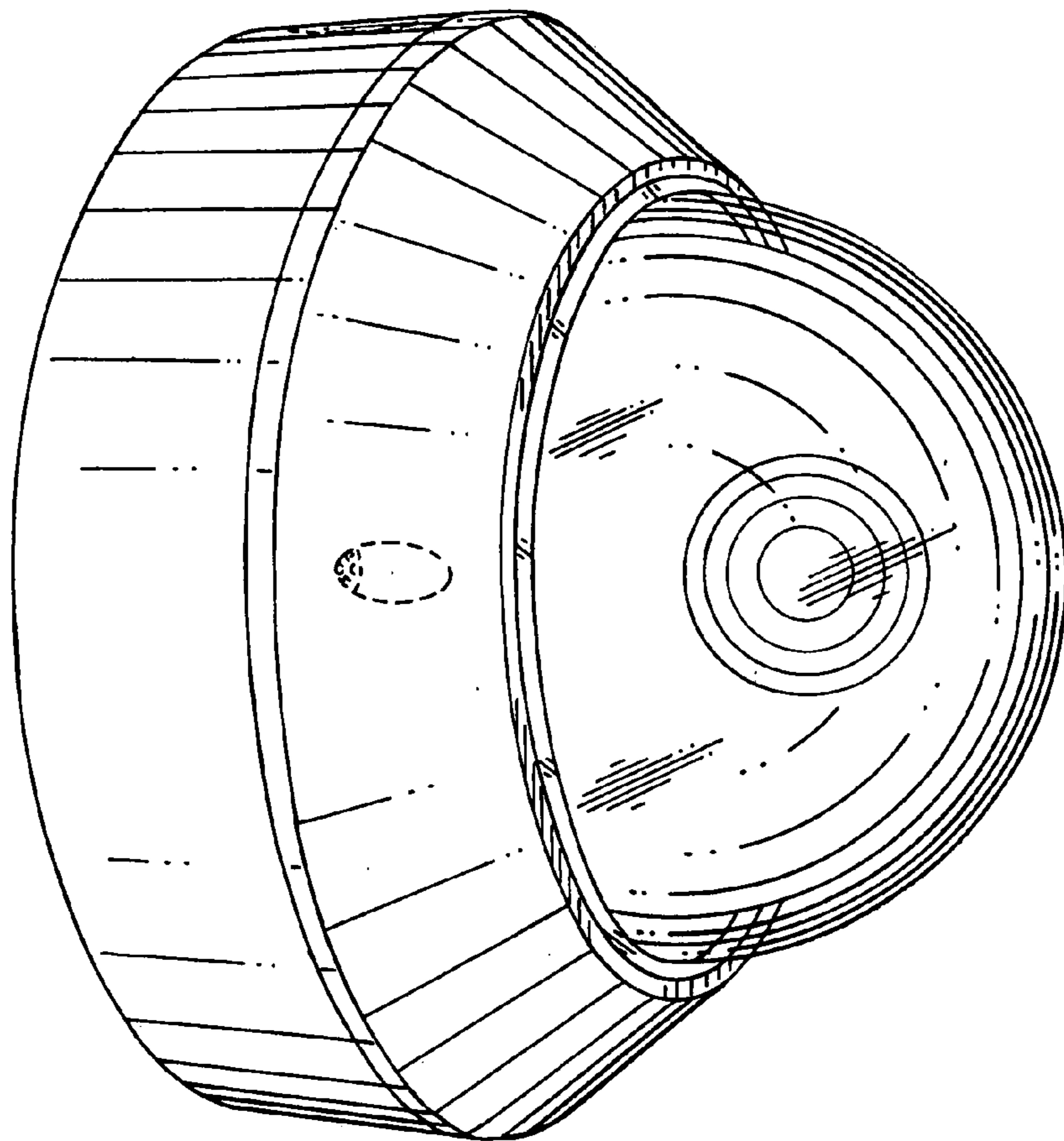


FIG. 1

FIG. 3

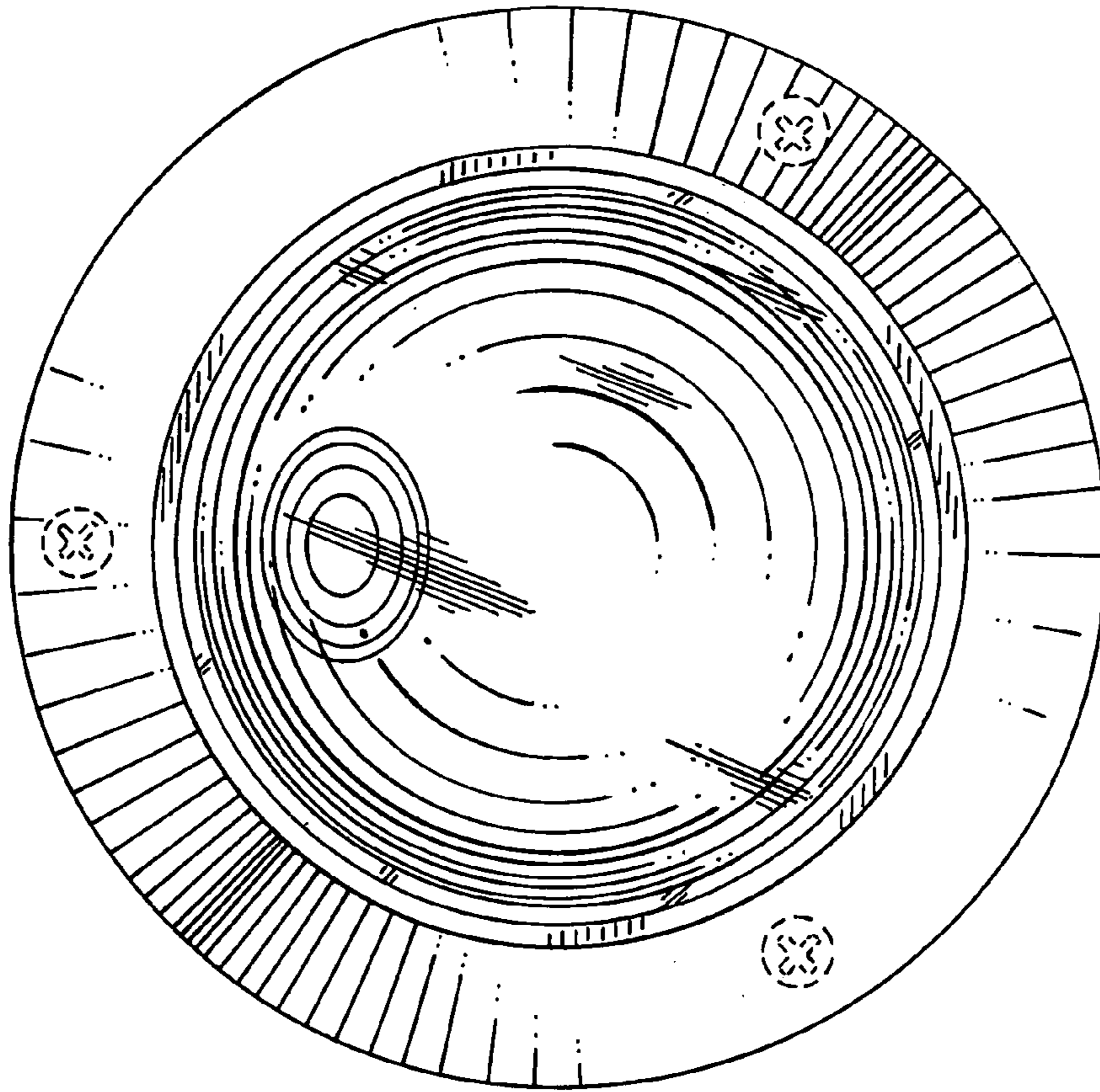
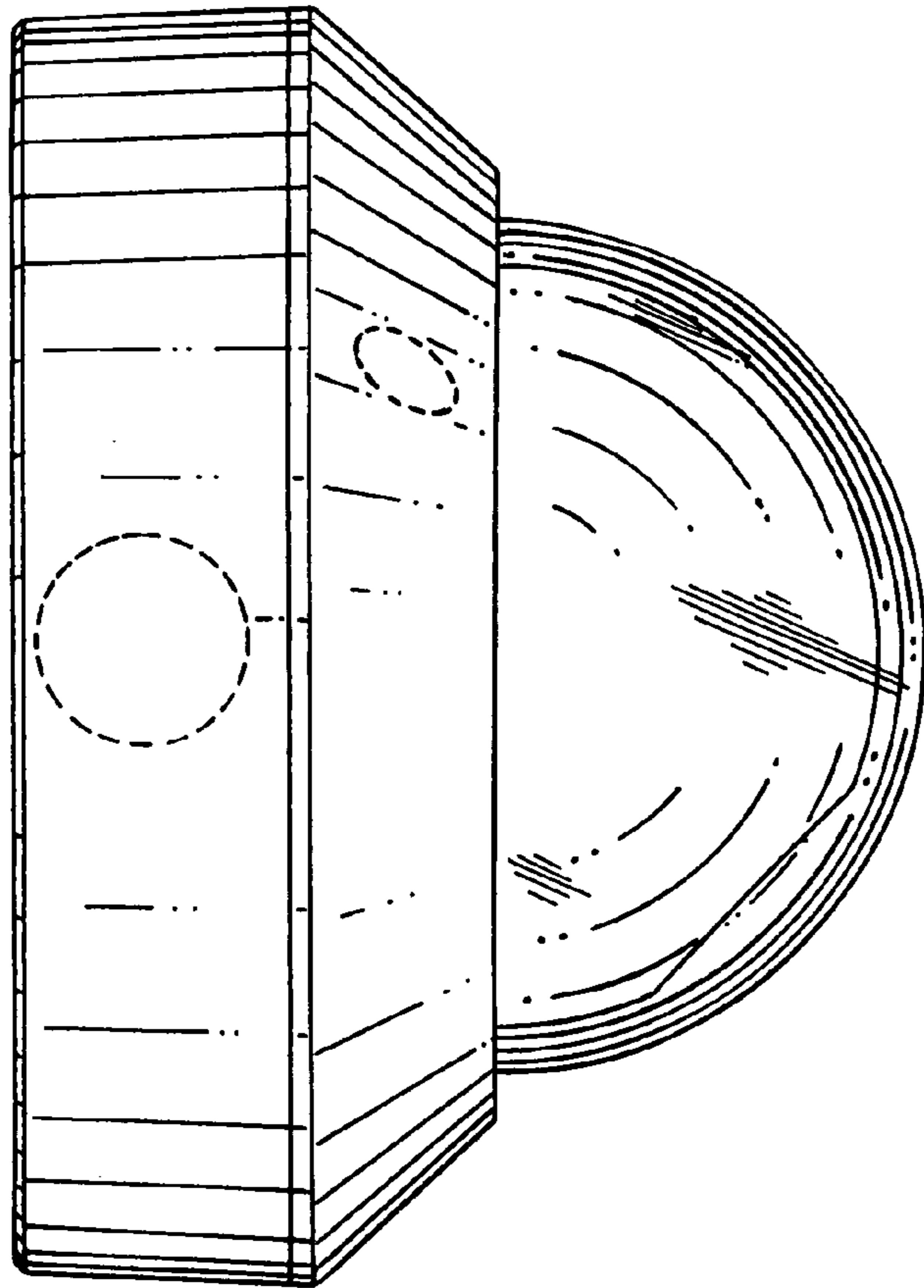


FIG. 4

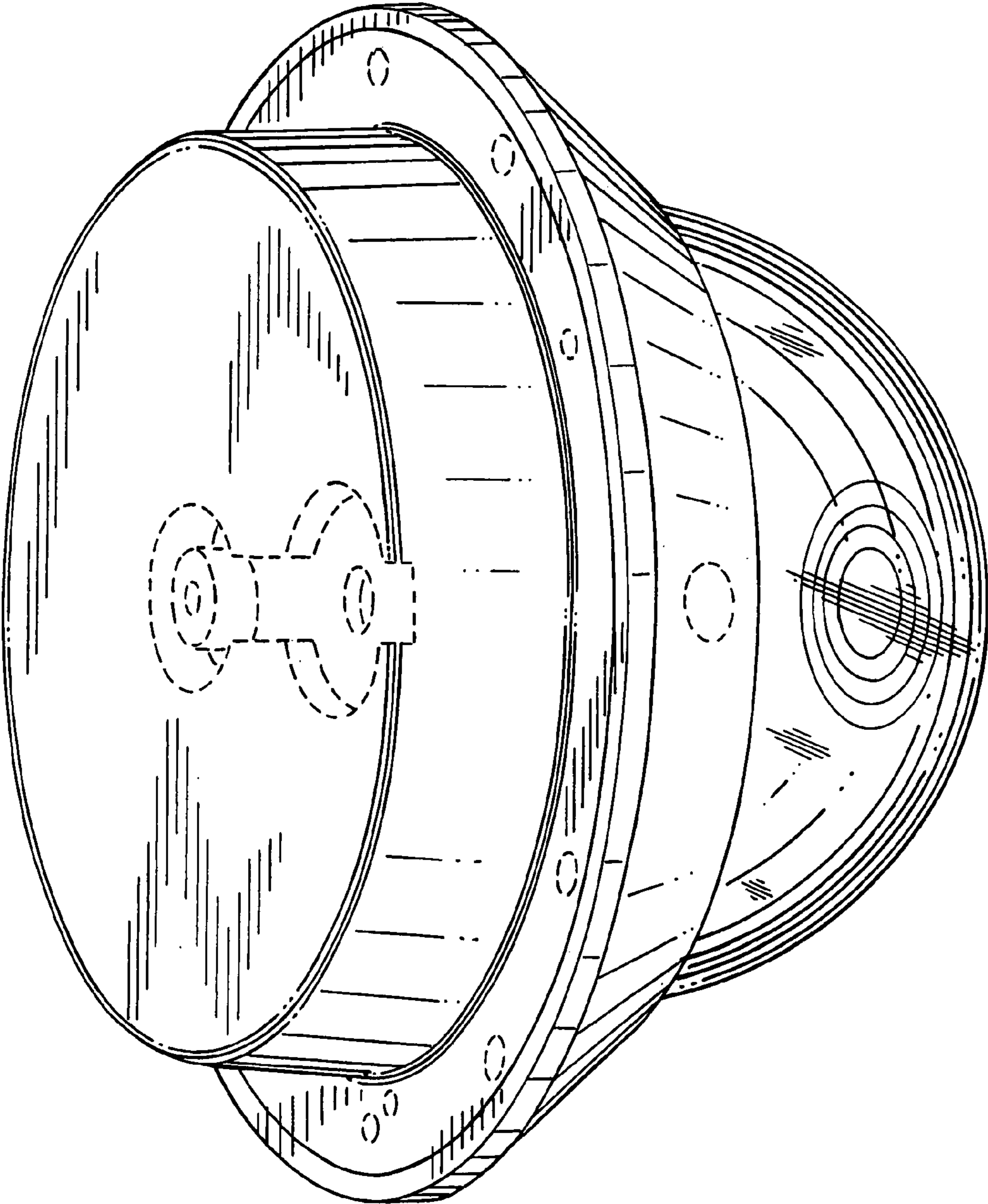


FIG. 5

FIG. 6

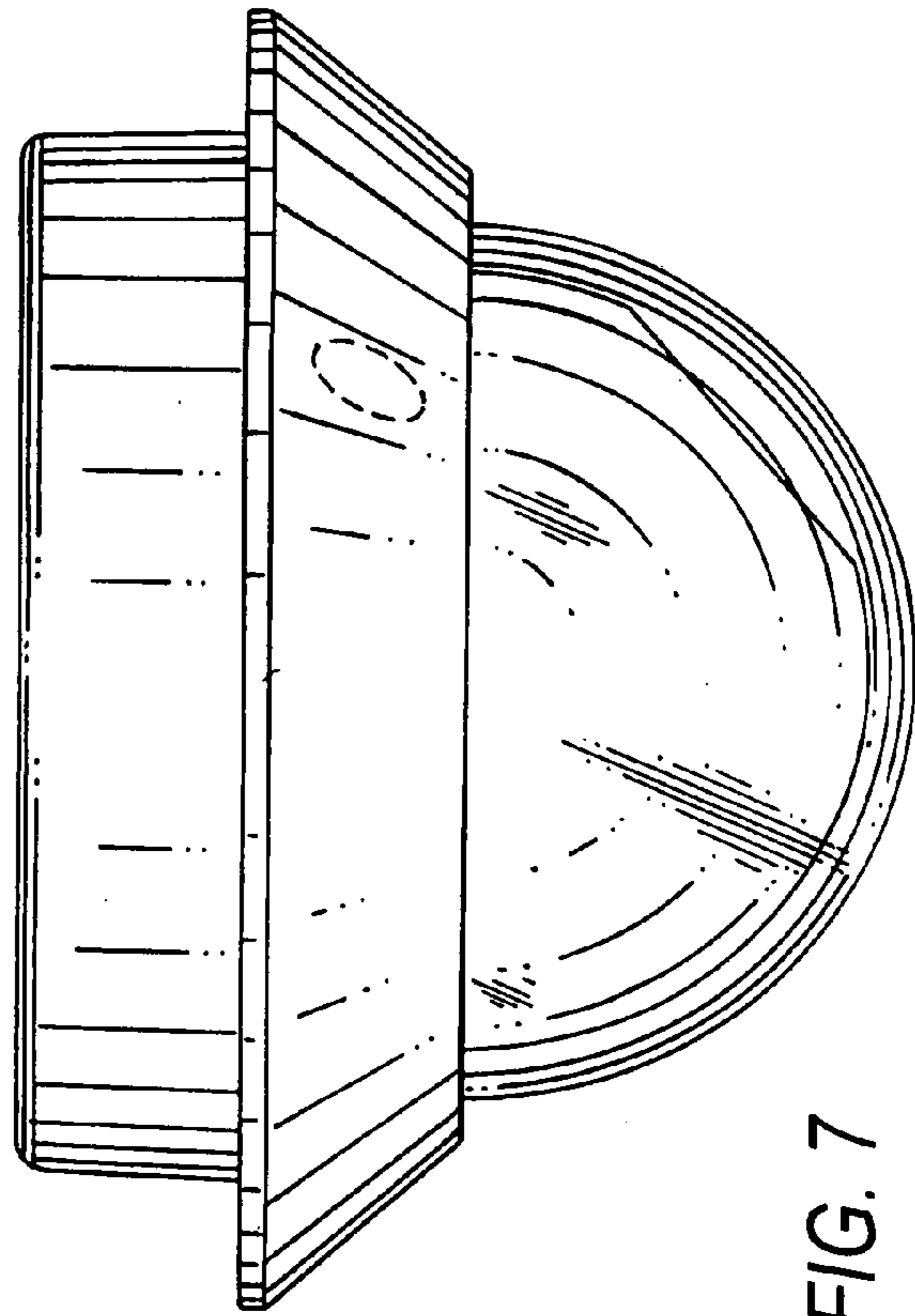
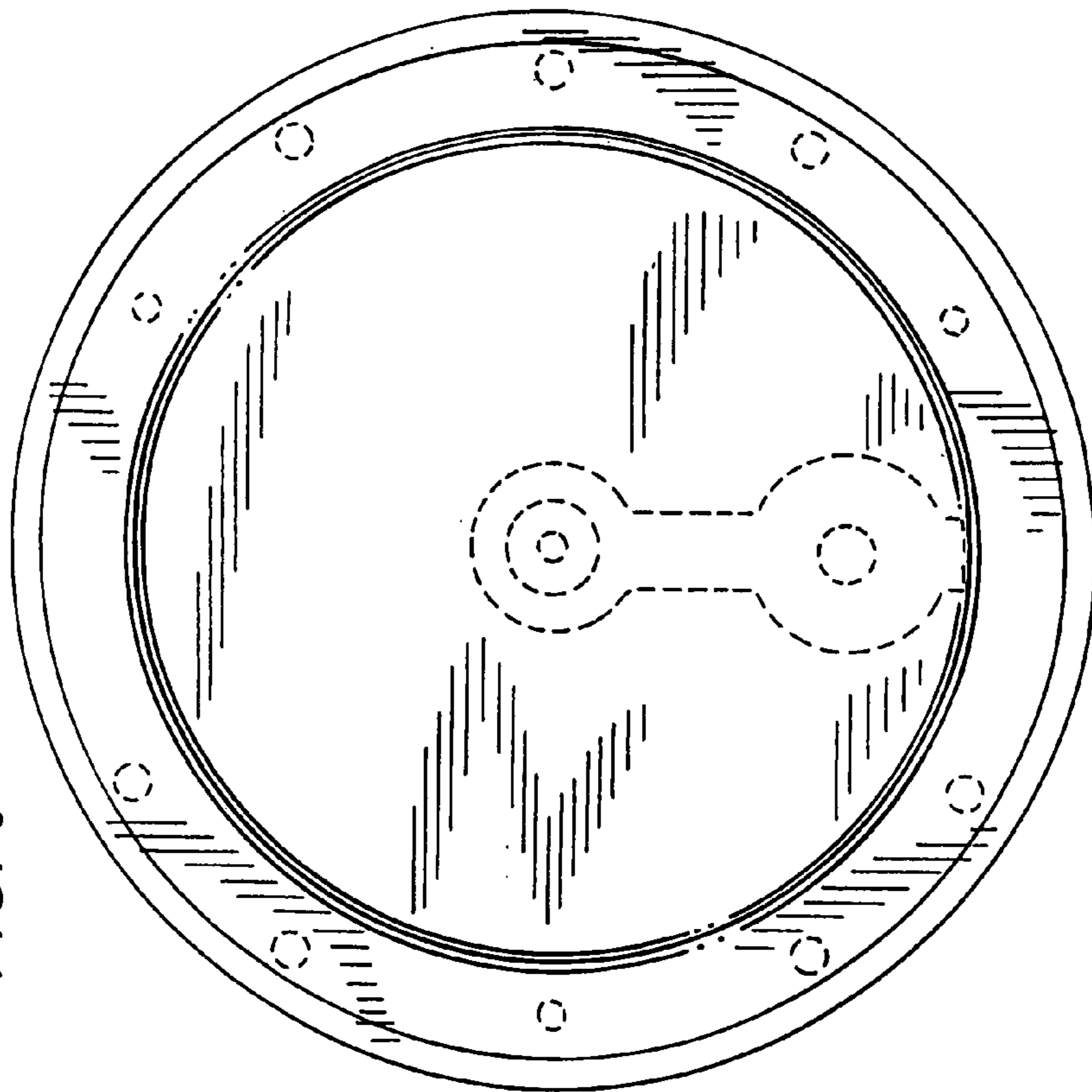


FIG. 7