

US00D556235S

(12) **United States Design Patent**
Todd et al.

(10) **Patent No.:** **US D556,235 S**

(45) **Date of Patent:** **** Nov. 27, 2007**

(54) **VANDAL RESISTANT CAMERA HOUSING**

(75) Inventors: **Roy Keith Todd**, Clemmons, NC (US);
Thom H. Pifer, Greensboro, NC (US)

(73) Assignee: **Aigis Mechtronics, LLC**,
Winston-Salem, NC (US)

(**) Term: **14 Years**

(21) Appl. No.: **29/260,836**

(22) Filed: **Jun. 2, 2006**

Related U.S. Application Data

(63) Continuation of application No. 29/196,262, filed on
Dec. 23, 2002, now abandoned.

(51) **LOC (8) Cl.** **16-01**

(52) **U.S. Cl.** **D16/203; D16/200**

(58) **Field of Classification Search** D16/200–205,
D16/208, 218; 348/143, 151, 373–376; 358/906;
396/427, 535, 536–541

See application file for complete search history.

(56) **References Cited**

U.S. PATENT DOCUMENTS

D412,924 S *	8/1999	Hiraguchi	D16/219
D449,630 S *	10/2001	Rak et al.	D16/203
6,715,940 B2 *	4/2004	Top et al.	396/427
D494,992 S *	8/2004	Seo	D16/203
D497,927 S *	11/2004	Arbuckle et al.	D16/203

FOREIGN PATENT DOCUMENTS

GB 2042839 10/1994

OTHER PUBLICATIONS

Elbex indoor/outdoor camera (EX410 series) (www.elbex.co)(Nov.
19, 2003).*

Aigis Mechtronics MimiLine Aluminum Corner Housing; undated.
Aigis Mechtronics MiniLine Aluminum Fixed and VariDomes;
undated.

Aigis Mechtronics MiniLine Indoor Series Domes; undated.

CBC (America) Corp.; AC-0H2 Tamper-Resistant Indoor/Outdoor
Housing Instruction Manual; undated.

CBC (America) Corp.; CX Series B/W & Color Outdoor Cameras;
undated.

Ultrak KD5 Series Technical Specifications; Jun. 19, 2002.

Pelco Product Specification DF8 Series Dome; Oct. 2002.

Pelco Product Specification 300 Series Camclosure Camera Sys-
tem; Jul. 2003.

Ultrak KD5 Series 5-Inch Stationary Dome Cameras; undated.

* cited by examiner

Primary Examiner—Adir Aronovich

(74) *Attorney, Agent, or Firm*—MacCord Mason PLLC

(57) **CLAIM**

The ornamental design for a vandal resistant camera hous-
ing, as shown and described.

DESCRIPTION

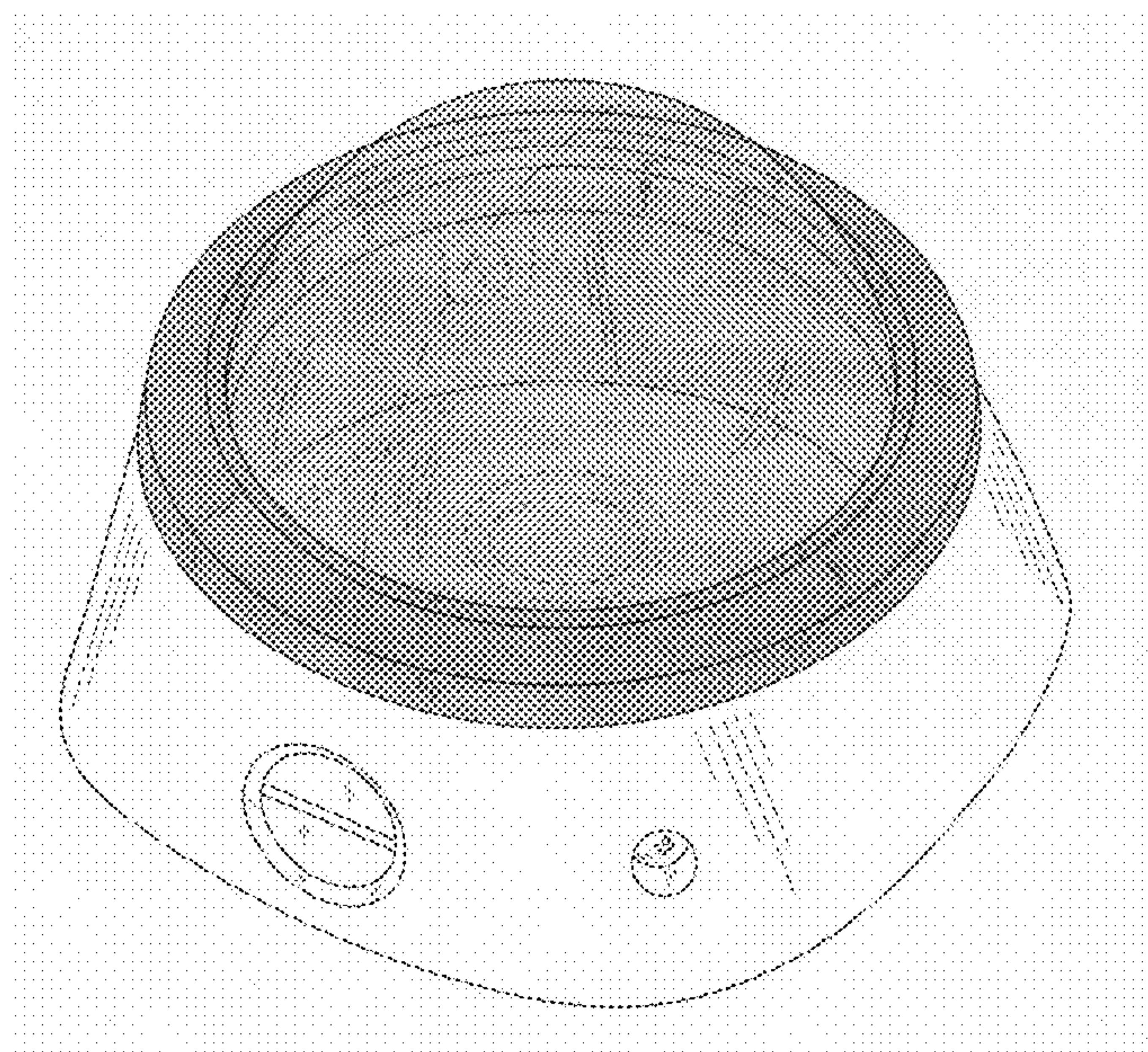
FIG. 1 is a front and side perspective view of a vandal
resistant camera housing showing our new design;

FIG. 2 is a top view of the camera housing shown in FIG.
1;

FIG. 3 is a bottom view of the camera housing shown in FIG.
1; and,

FIG. 4 is a side view of the camera housing shown in FIG.
1.

1 Claim, 4 Drawing Sheets



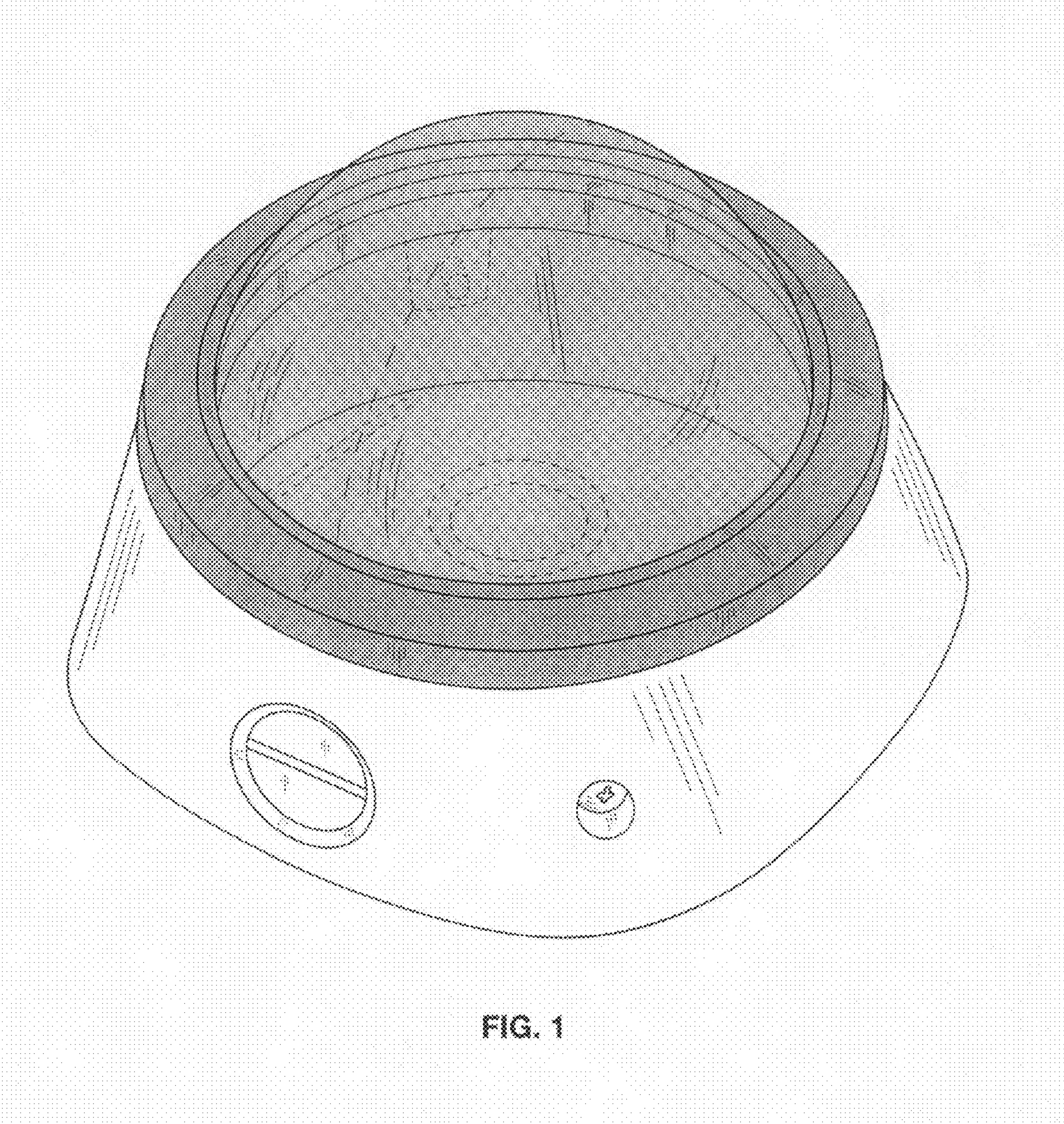


FIG. 1

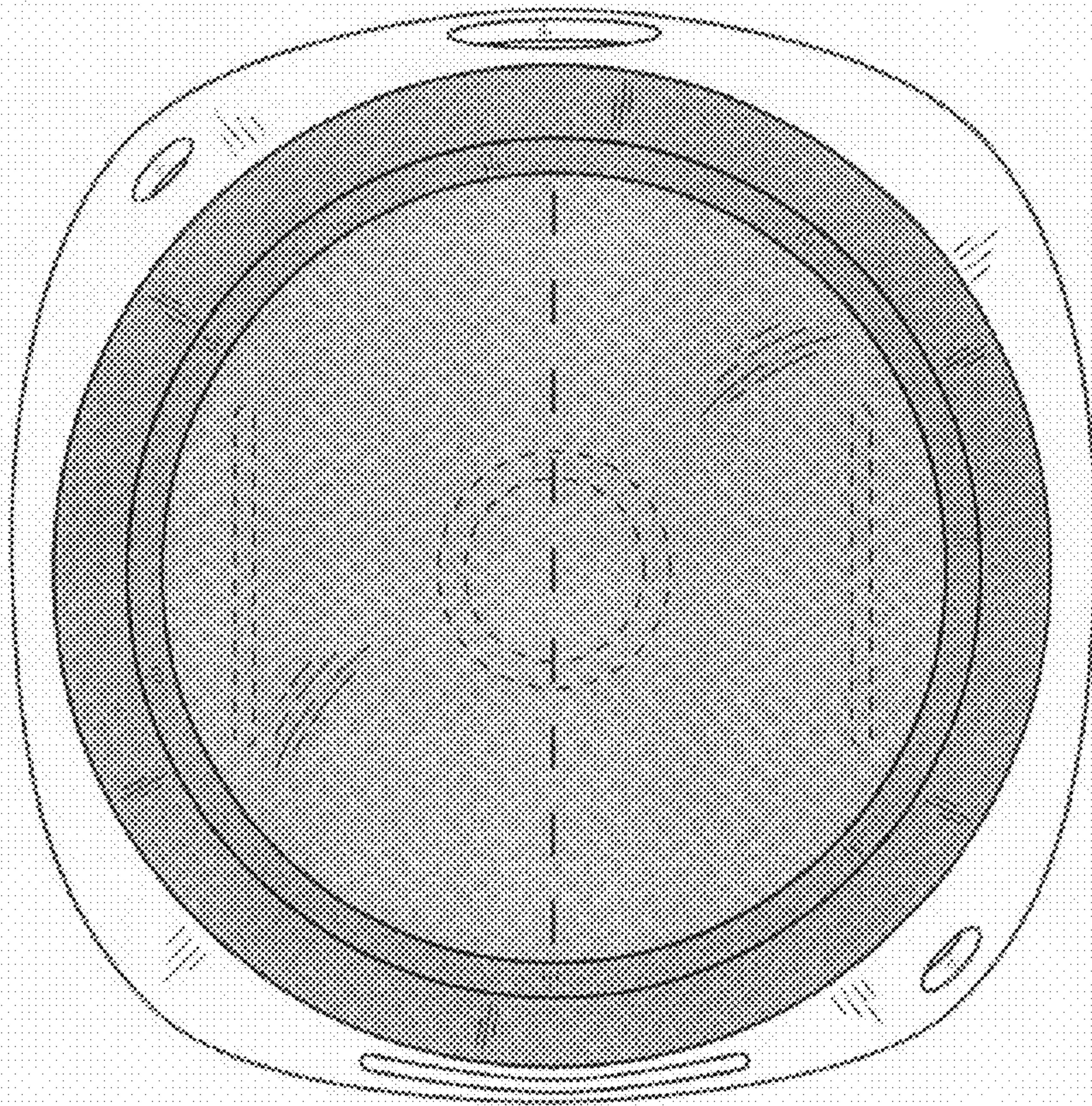


FIG. 2

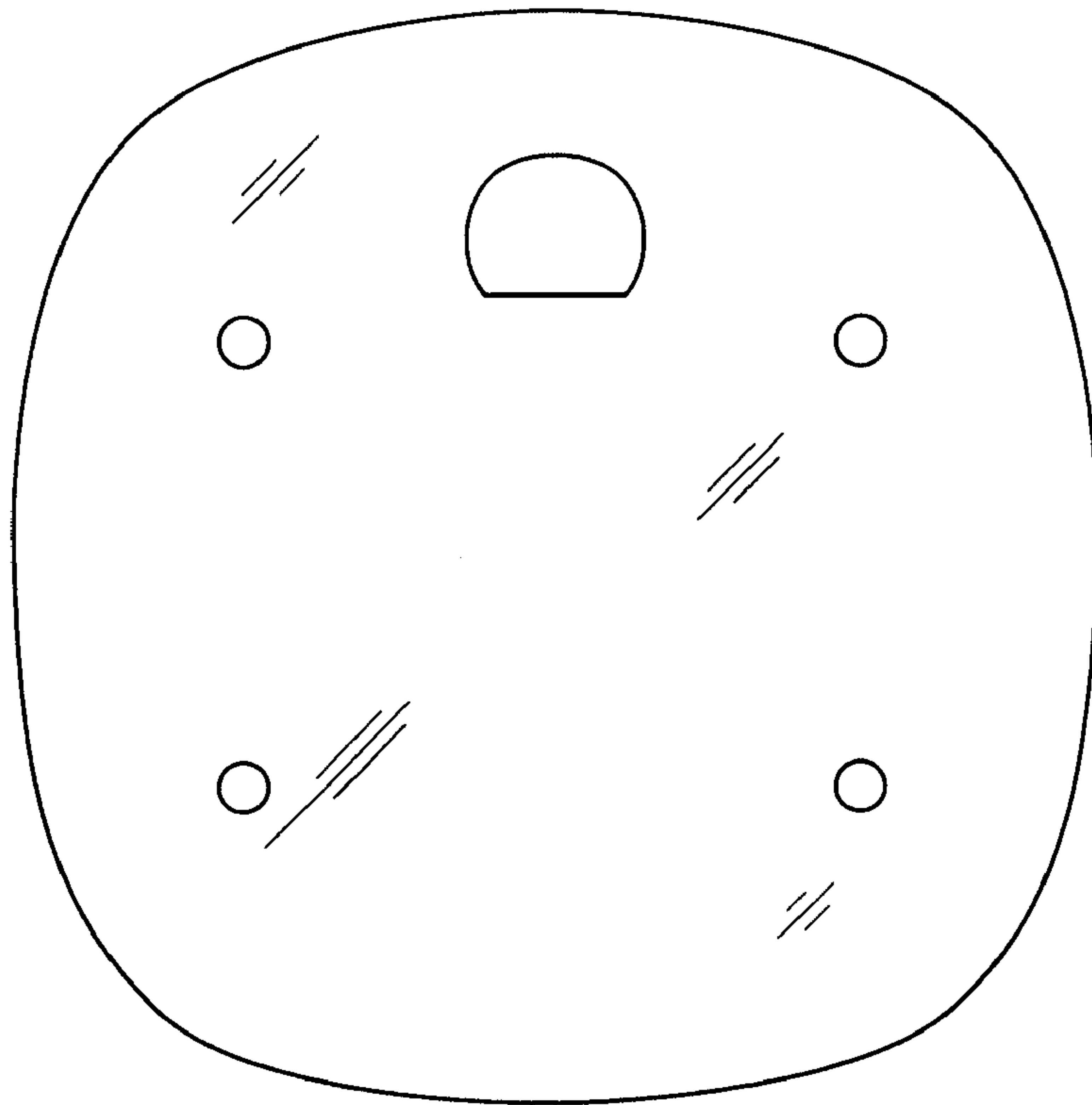


FIG. 3

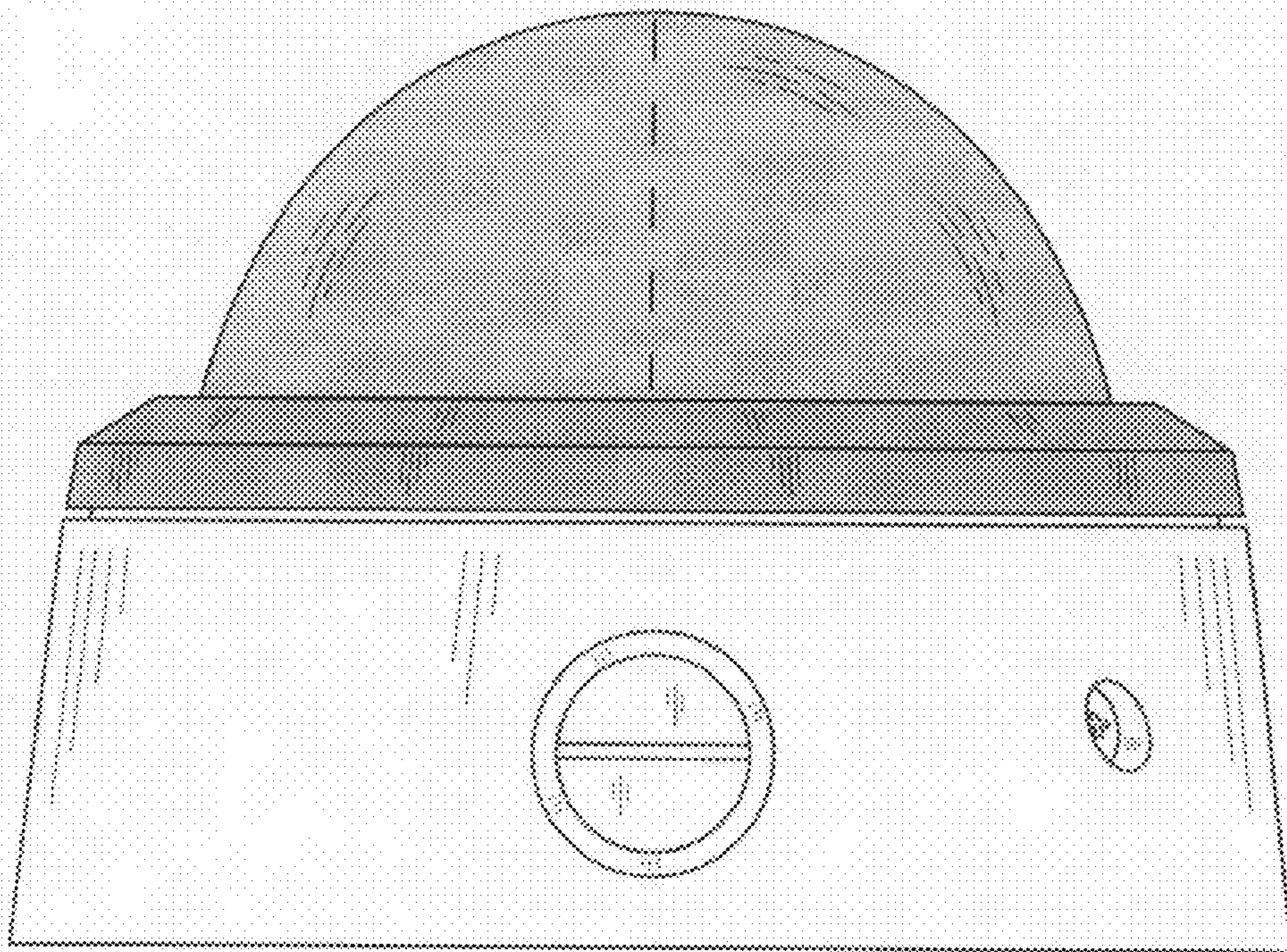


FIG. 4