



US00D556230S

(12) **United States Design Patent** (10) **Patent No.:** **US D556,230 S**
Hanafusa et al. (45) **Date of Patent:** **** Nov. 27, 2007**

(54) **DIGITAL CAMERA** 2005/0057685 A1* 3/2005 Yamaguchi 348/375

(75) Inventors: **Norihito Hanafusa**, Tokyo (JP);
Yosuke Nagayama, Tokyo (JP)

* cited by examiner

(73) Assignee: **Casio Keisanki Kabushiki Kaisha**

Primary Examiner—Adir Aronovich

(**) Term: **14 Years**

(74) *Attorney, Agent, or Firm*—Frishauf, Holtz, Goodman & Chick, P.C.

(21) Appl. No.: **29/255,443**

(57) **CLAIM**

(22) Filed: **Mar. 8, 2006**

The ornamental design for a digital camera, as shown and described.

(51) **LOC (8) Cl.** **16-01**

DESCRIPTION

(52) **U.S. Cl.** **D16/202**

(58) **Field of Classification Search** D16/200–205,
D16/208, 218; 348/373–376; 358/909.1;
396/535–541

FIG. 1 is a front, right side, top perspective view of a digital camera showing our new design;

FIG. 2 is a front elevational view thereof;

See application file for complete search history.

FIG. 3 is a rear elevational view thereof;

(56) **References Cited**

U.S. PATENT DOCUMENTS

D490,833 S *	6/2004	Sakaguchi et al.	D16/202
D516,107 S *	2/2006	Kim	D16/202
D523,456 S *	6/2006	Chang	D16/202
D531,652 S *	11/2006	Ogino et al.	D16/202
D534,564 S *	1/2007	Tainaka	D16/202
D537,093 S *	2/2007	Nakamura	D16/218

FIG. 4 is a left side view thereof;

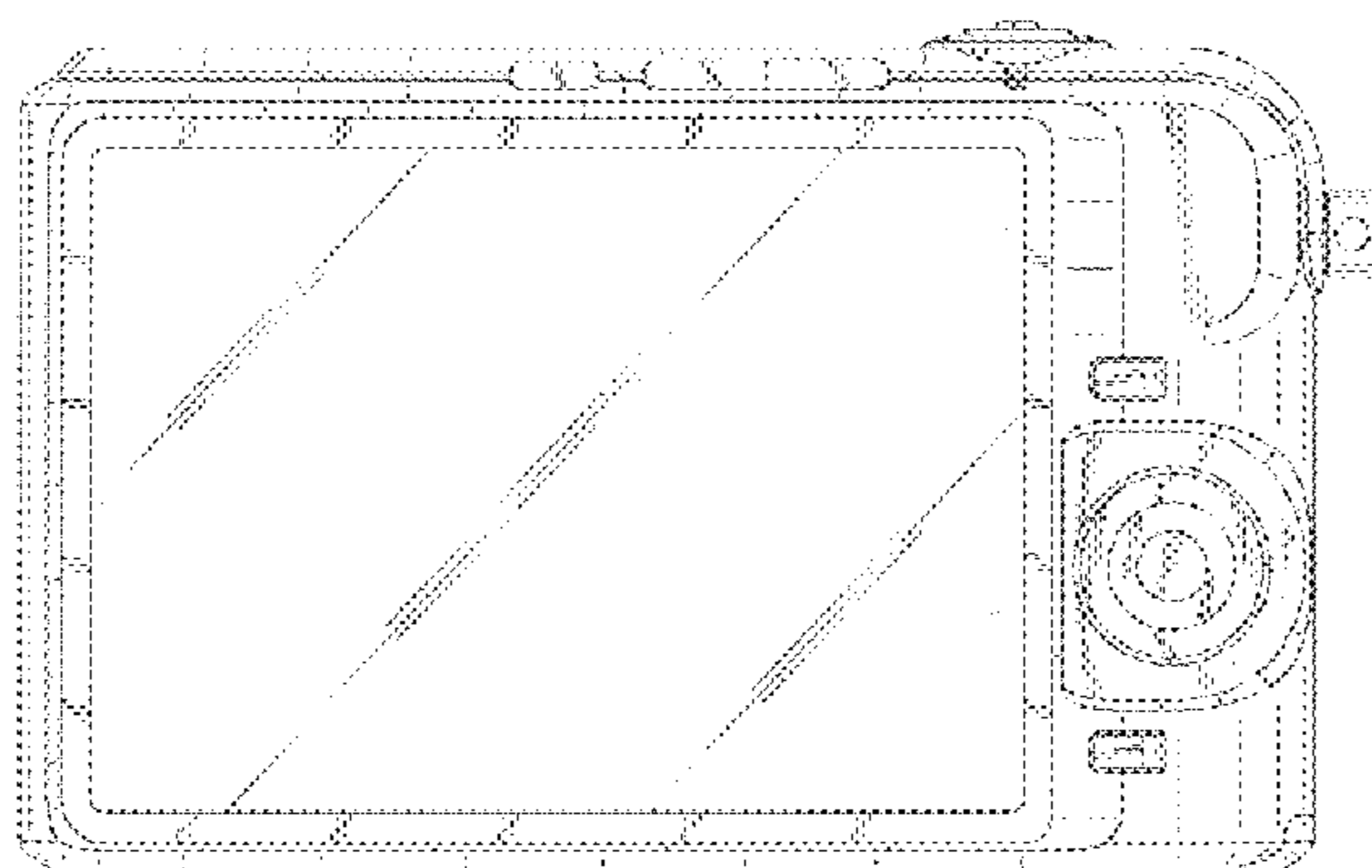
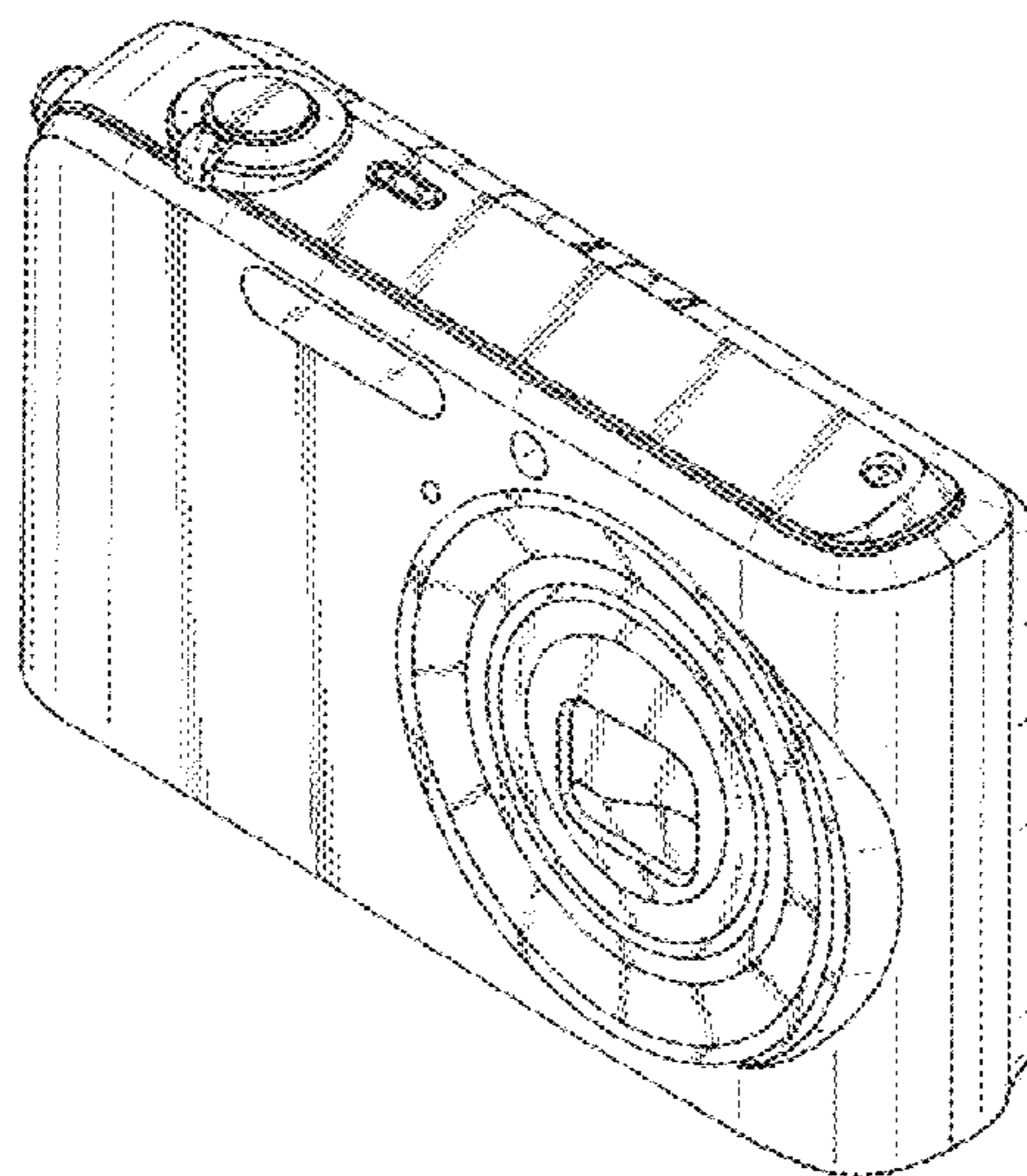
FIG. 5 is a right side view thereof;

FIG. 6 is a top plan view thereof;

FIG. 7 is a bottom plan view thereof; and,

FIG. 8 is a perspective view thereof showing the zoom lens extended.

1 Claim, 7 Drawing Sheets



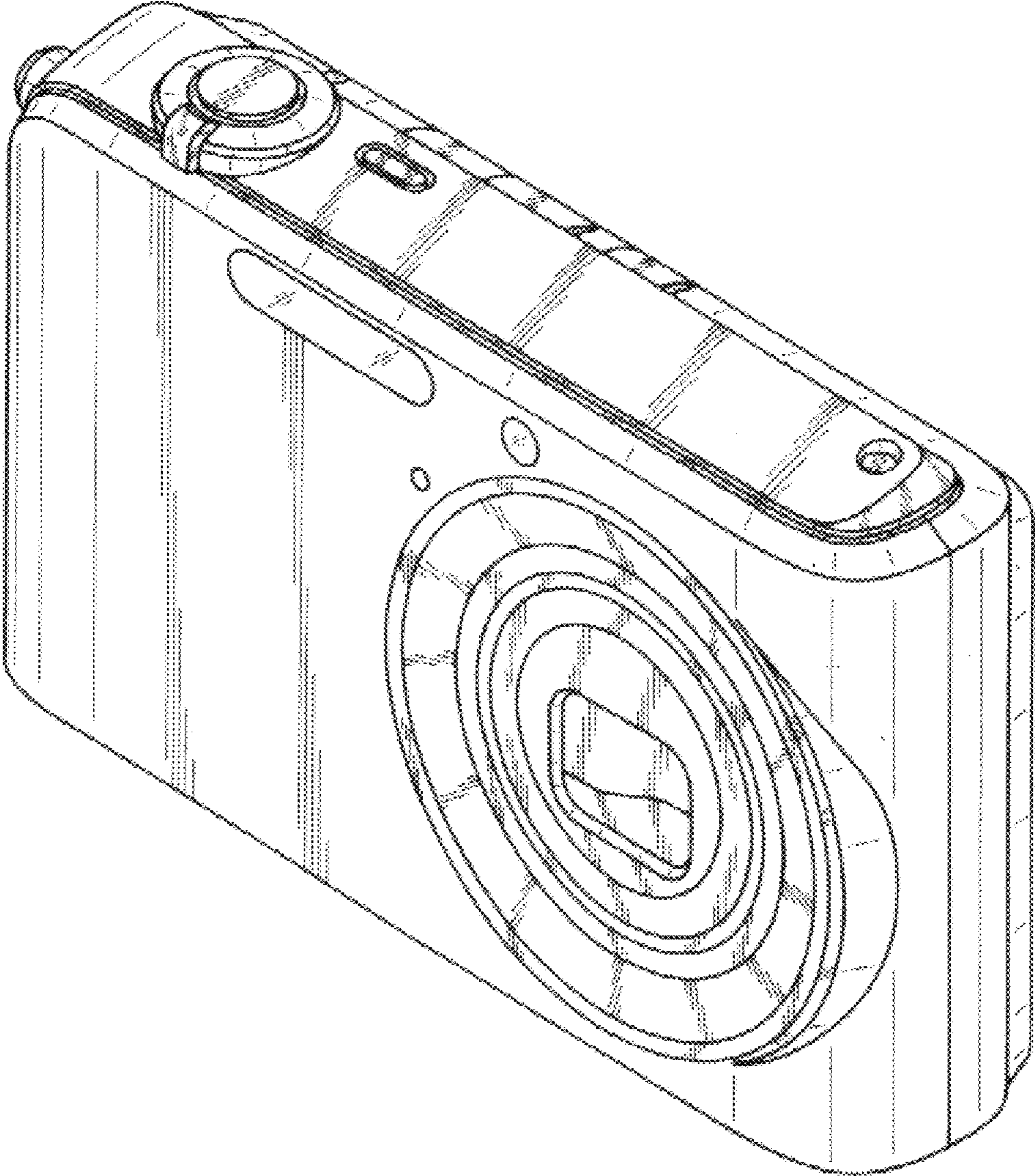


FIG. 1

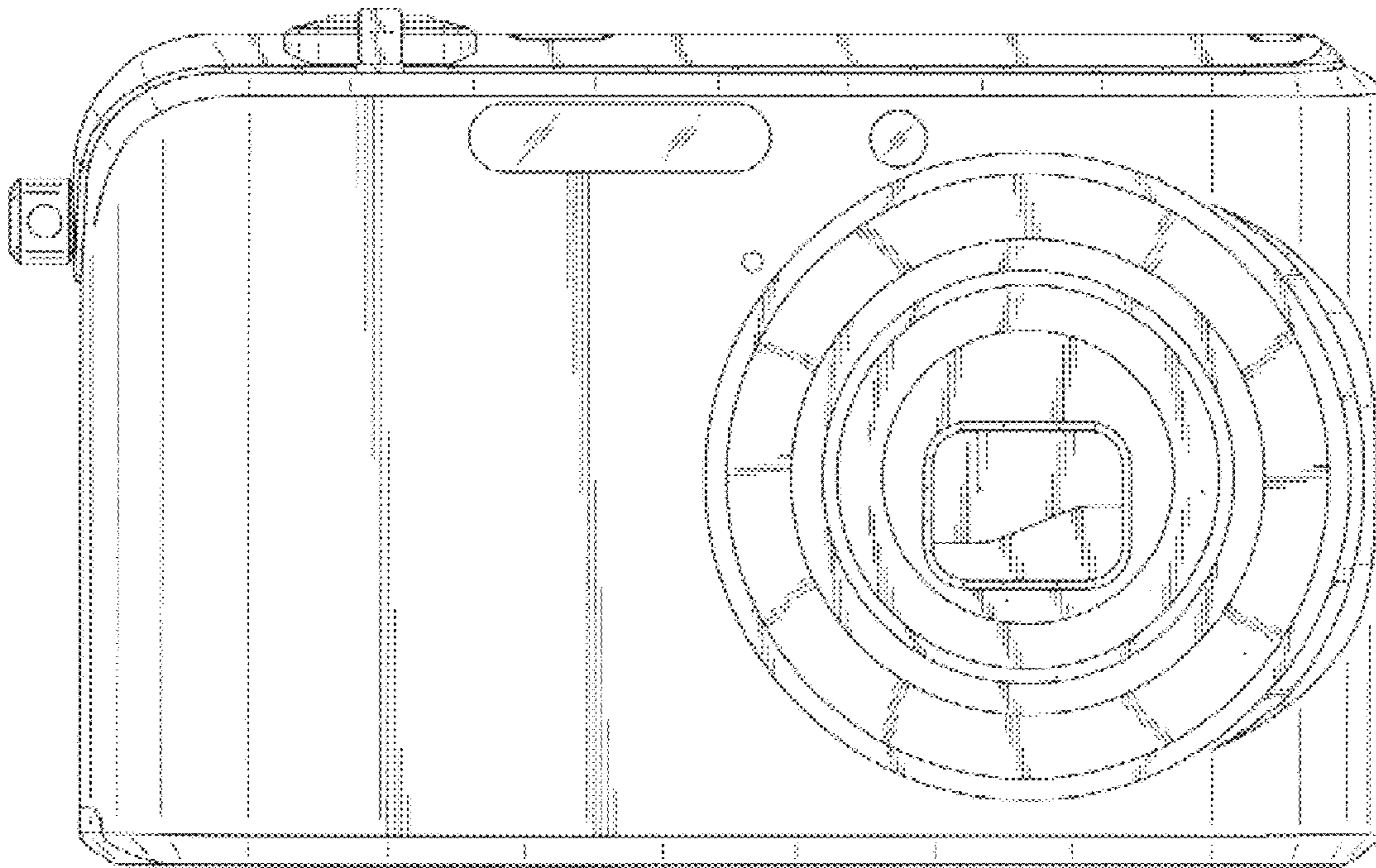


FIG. 2

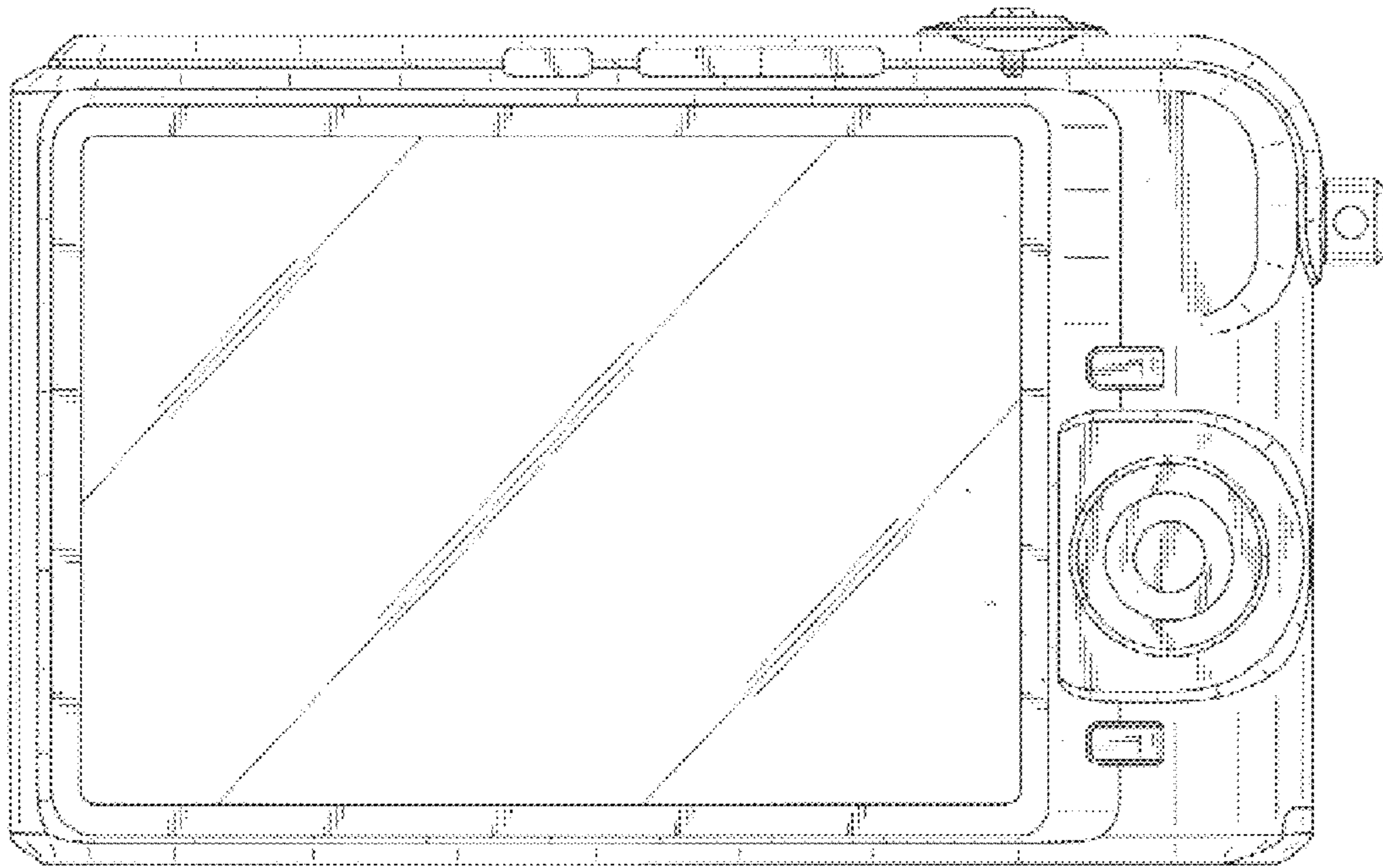


FIG. 3

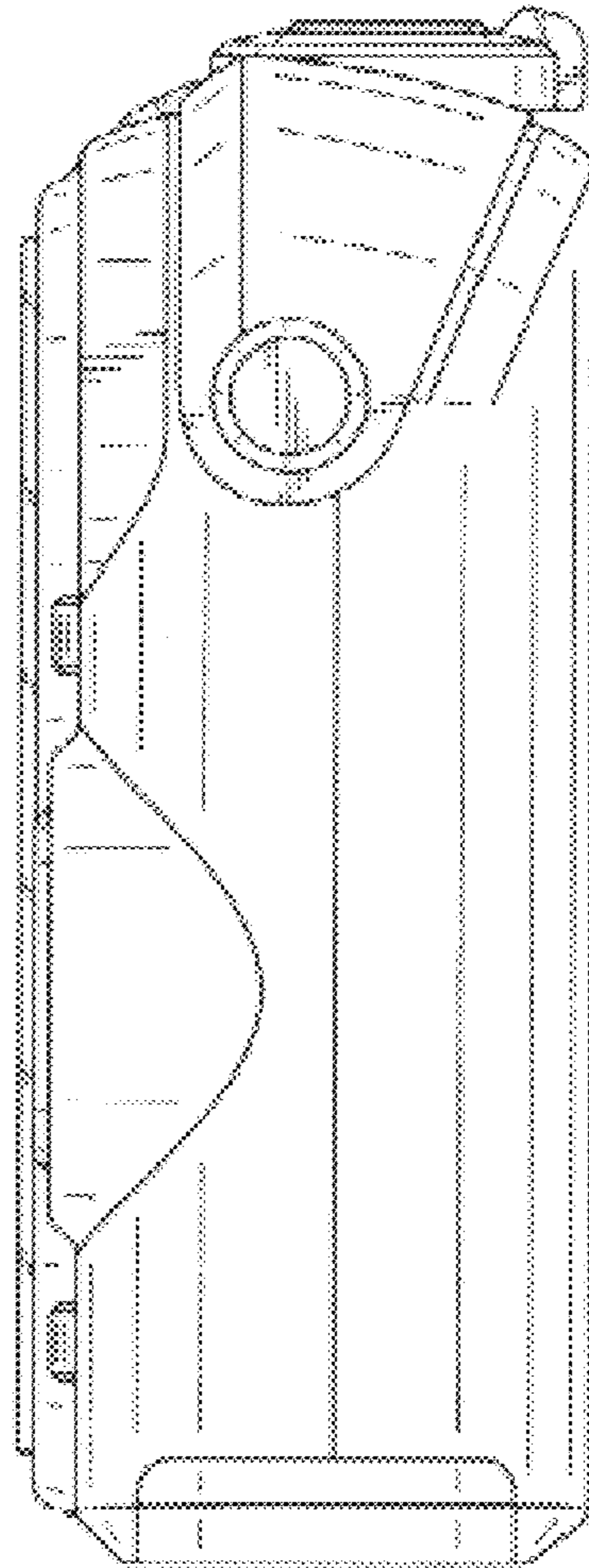


FIG. 4

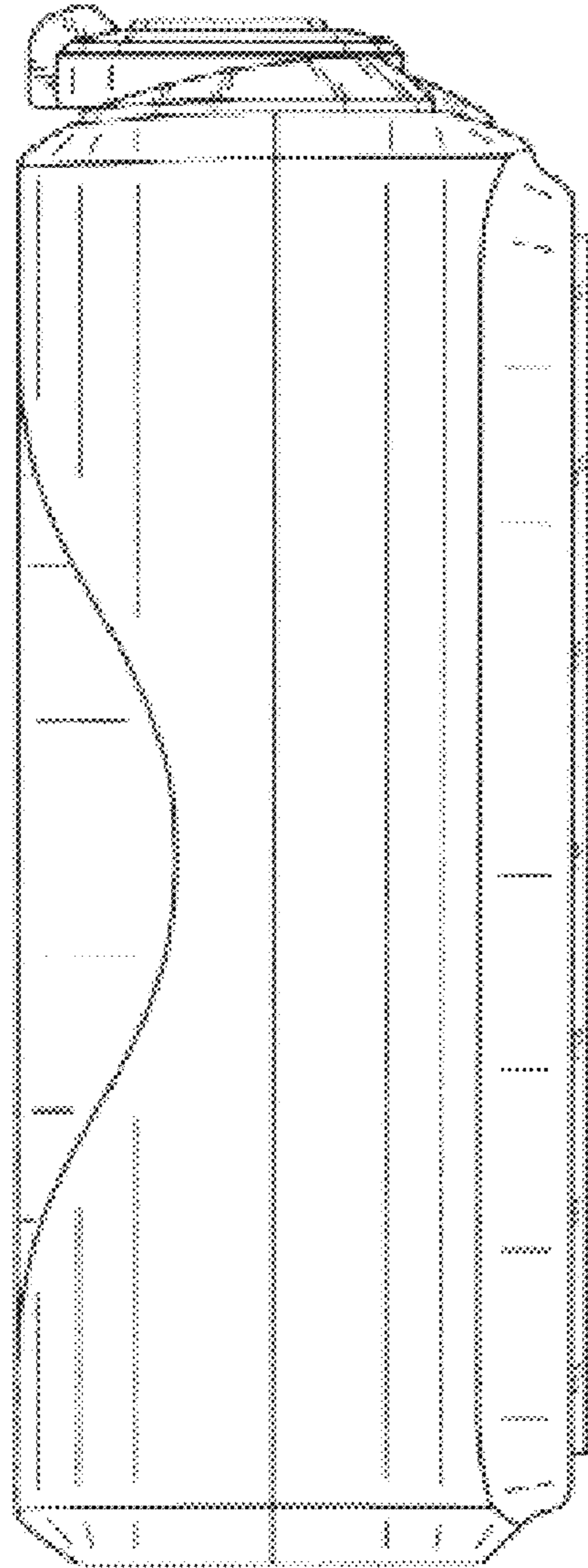


FIG. 5

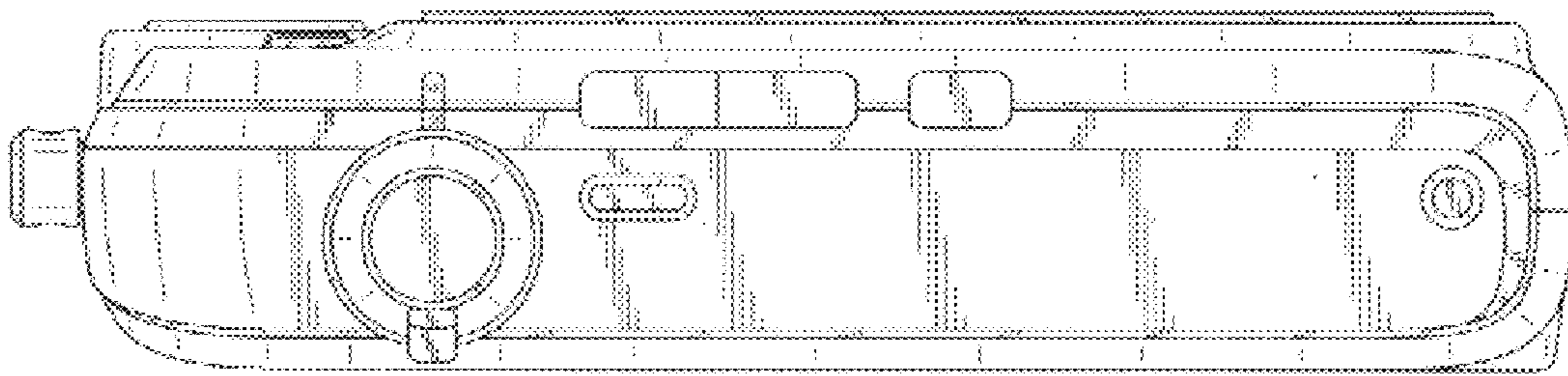


FIG. 6

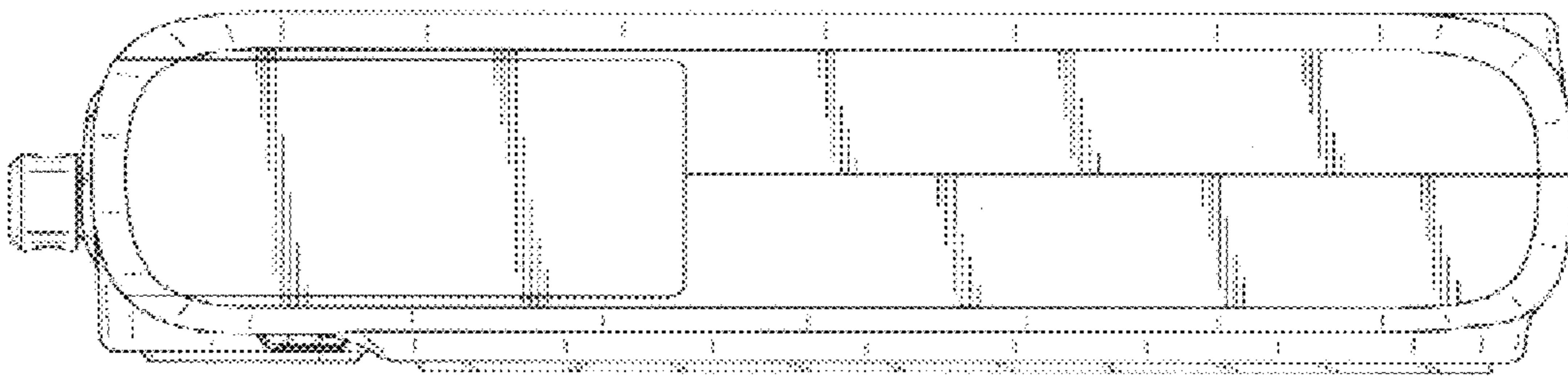


FIG. 7

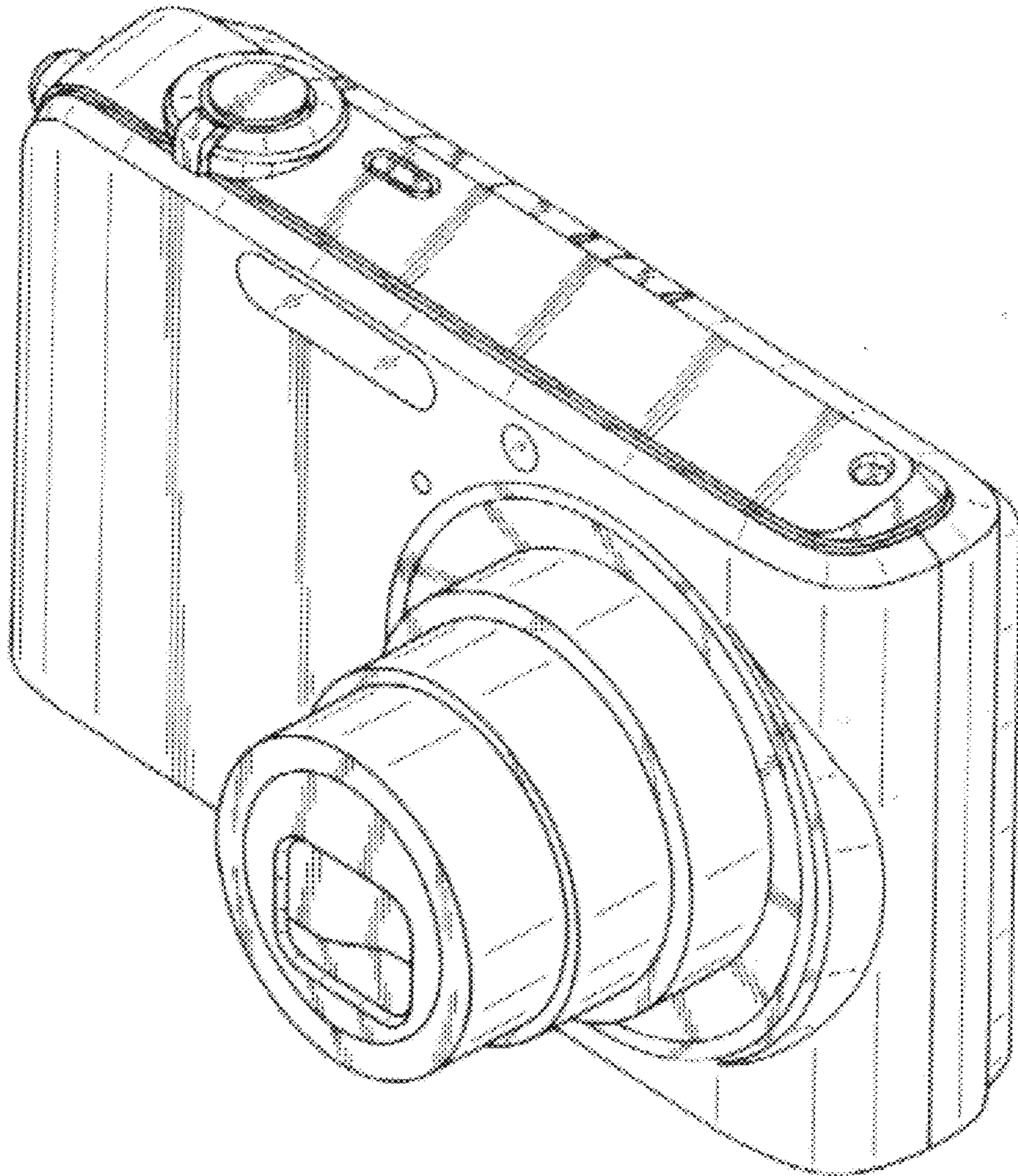


FIG. 8