



US00D556227S

(12) **United States Design Patent** (10) **Patent No.:** **US D556,227 S**  
**Au** (45) **Date of Patent:** **\*\* Nov. 27, 2007**

(54) **PALACE SHAPED WATCH DISPLAY BOX WITH SINGLE WATCH WINDER**

(74) *Attorney, Agent, or Firm*—Raymond Y. Chan; David and Raymond Patent Group

(75) **Inventor:** **Kinsen Ka Fai Au**, Hong Kong (CN)

(73) **Assignee:** **Nationalpak Limited**, Hong Kong (CN)

(57) **CLAIM**

(\*\*) **Term:** **14 Years**

The ornamental design for a palace shaped watch display box with single watch winder, as shown and described.

(21) **Appl. No.:** **29/269,732**

(22) **Filed:** **Dec. 8, 2006**

**DESCRIPTION**

(51) **LOC (8) Cl.** ..... **15-99**

FIG. 1 is a perspective view of palace shaped watch display box with single watch winder showing my new design.

(52) **U.S. Cl.** ..... **D15/199**

FIG. 2 is a front view thereof.

(58) **Field of Classification Search** ..... D6/470,

FIG. 3 is a rear view thereof.

D6/471; D15/199; 81/7.5; 312/114; 368/206–209  
See application file for complete search history.

FIG. 4 is a right end view thereof.

(56) **References Cited**

FIG. 5 is a left end view thereof.

**U.S. PATENT DOCUMENTS**

FIG. 6 is a top view thereof.

D452,256 S \* 12/2001 Wolf ..... D15/199

FIG. 7 is a bottom view thereof.

D474,216 S \* 5/2003 Siu ..... D15/199

FIG. 8 is a perspective view showing an open position of my new design thereof; and,

D513,568 S \* 1/2006 Au ..... D6/470

FIG. 9 is a perspective view showing an open position of my new design with a sample therein, wherein the broken lines in the drawing is for illustrative purpose only and shows the portion that forms no part of the design to be claimed.

2003/0076748 A1 \* 4/2003 Rustioni ..... 368/206

2005/0254352 A1 \* 11/2005 Wolf et al. .... 368/206

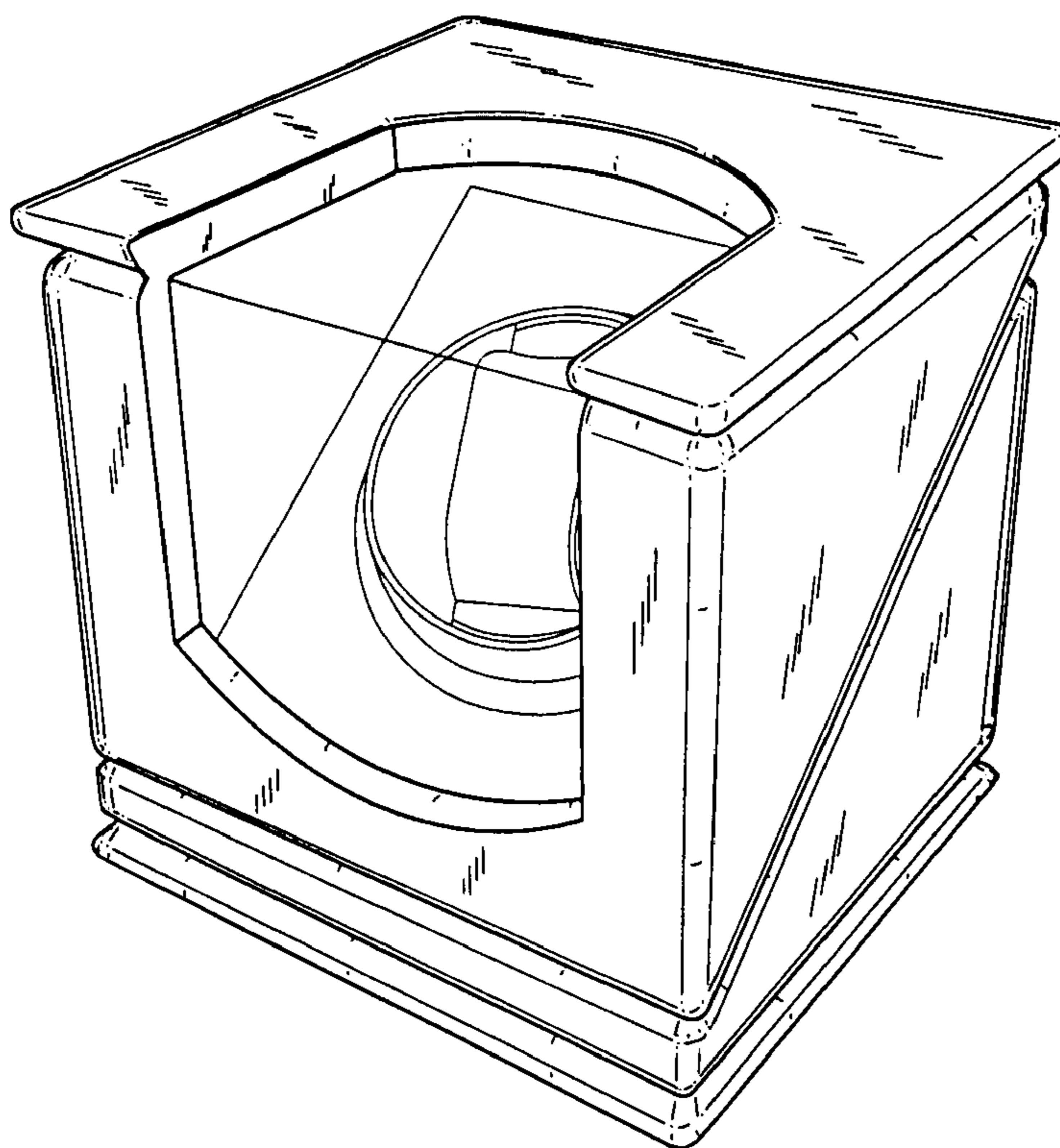
2006/0018199 A1 \* 1/2006 Louie ..... 368/206

\* cited by examiner

*Primary Examiner*—Antoine D. Davis

**1 Claim, 9 Drawing Sheets**

*Assistant Examiner*—Patricia Palasik



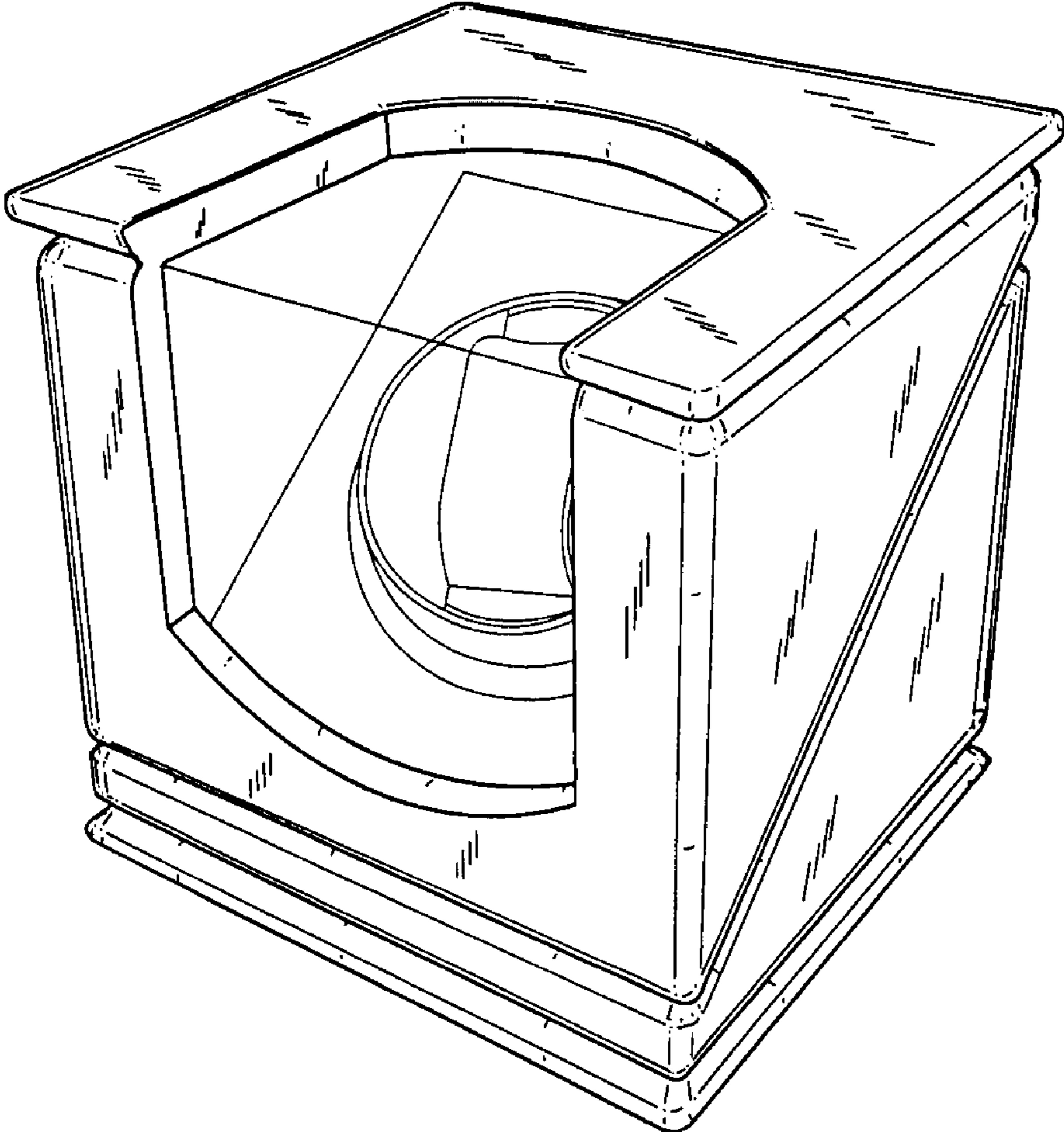


FIG . 1

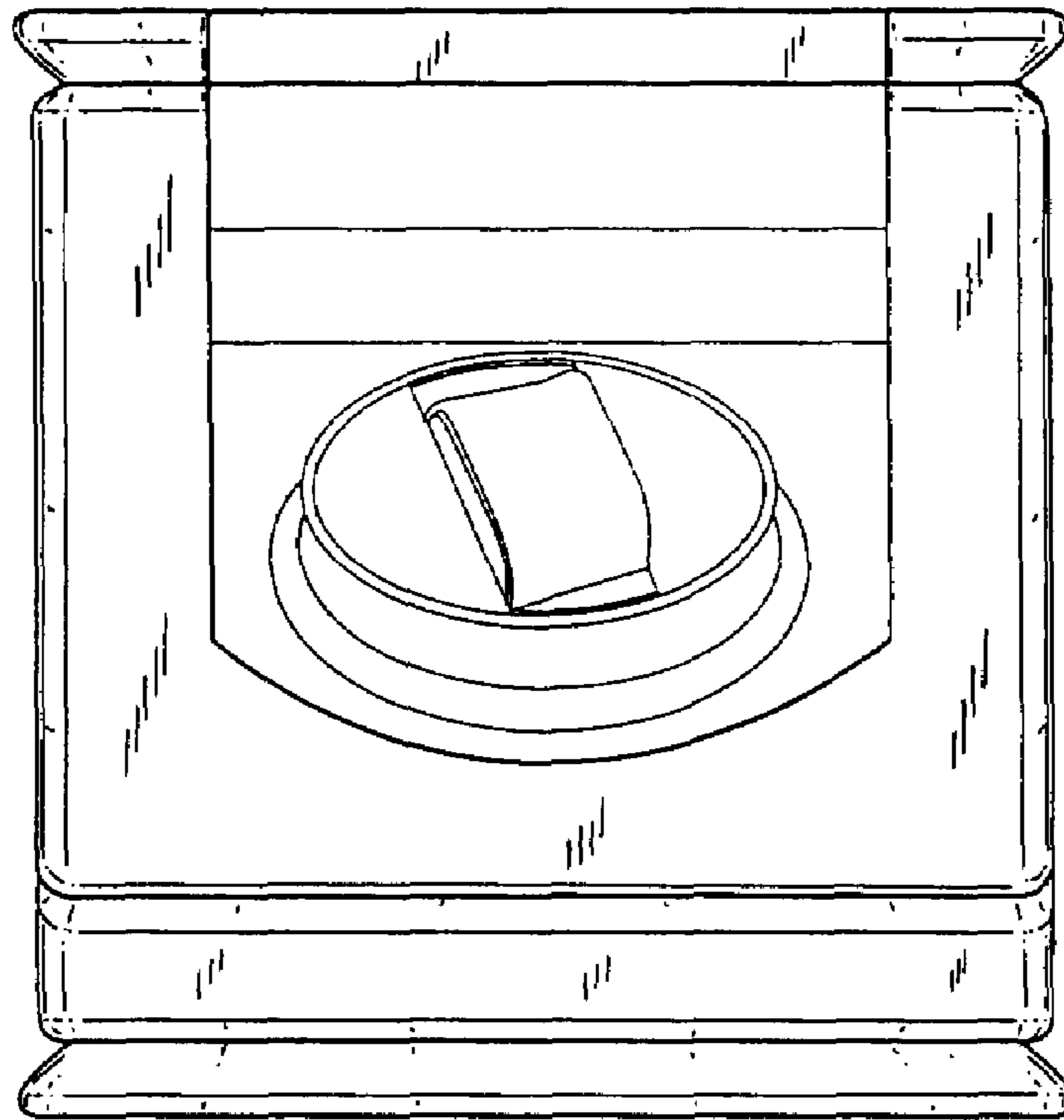


FIG . 2

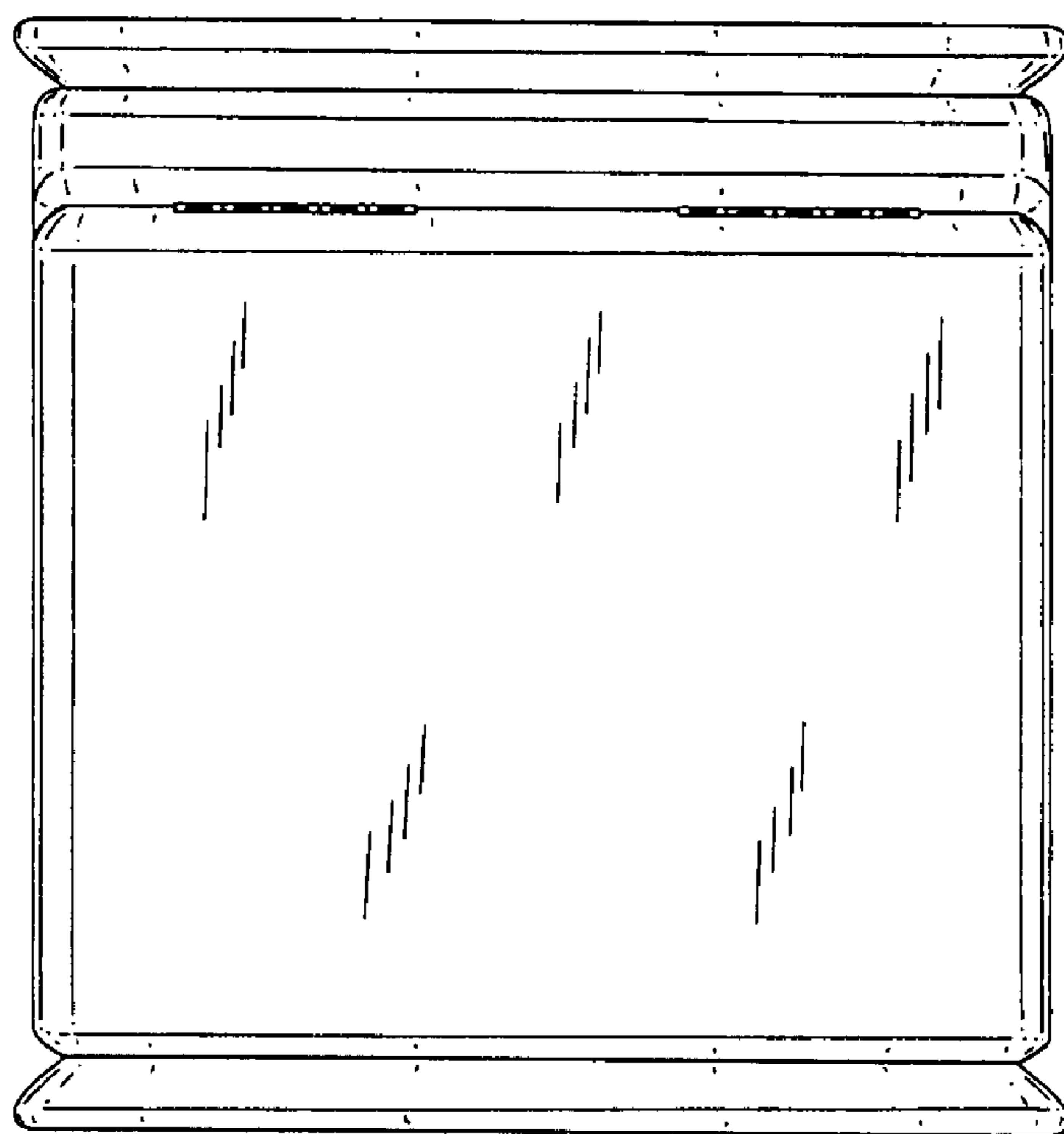


FIG . 3

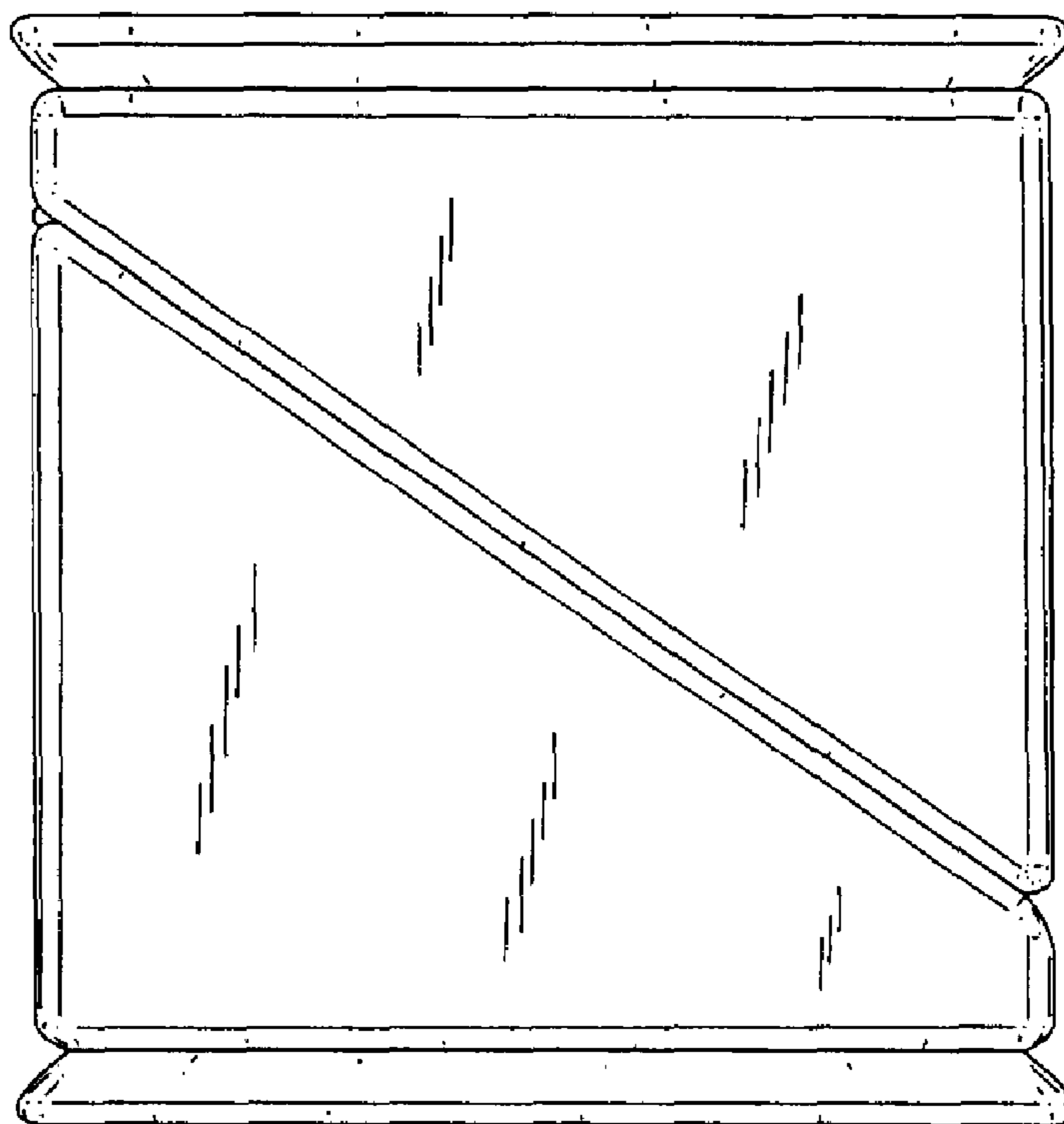


FIG .4

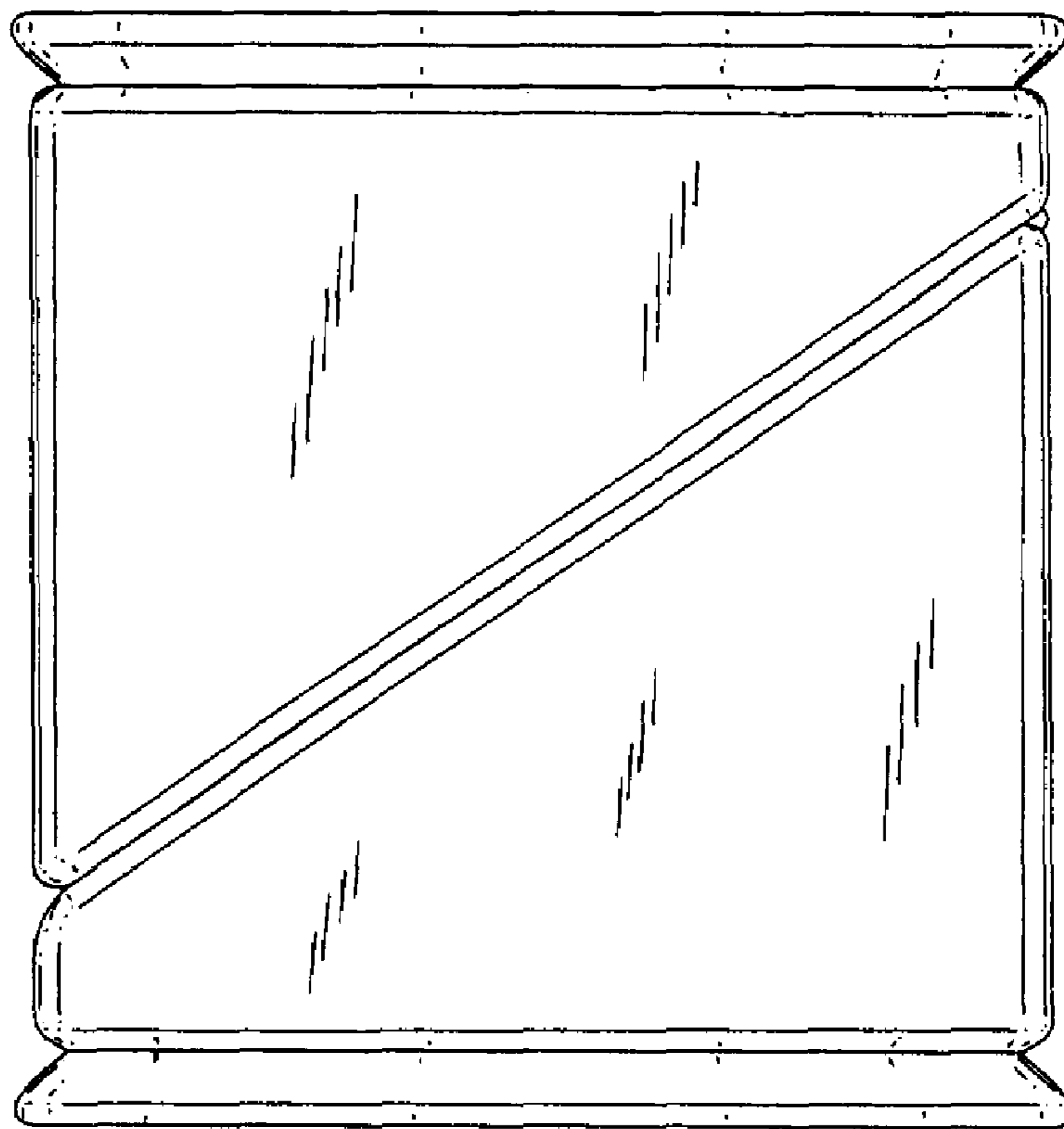


FIG . 5

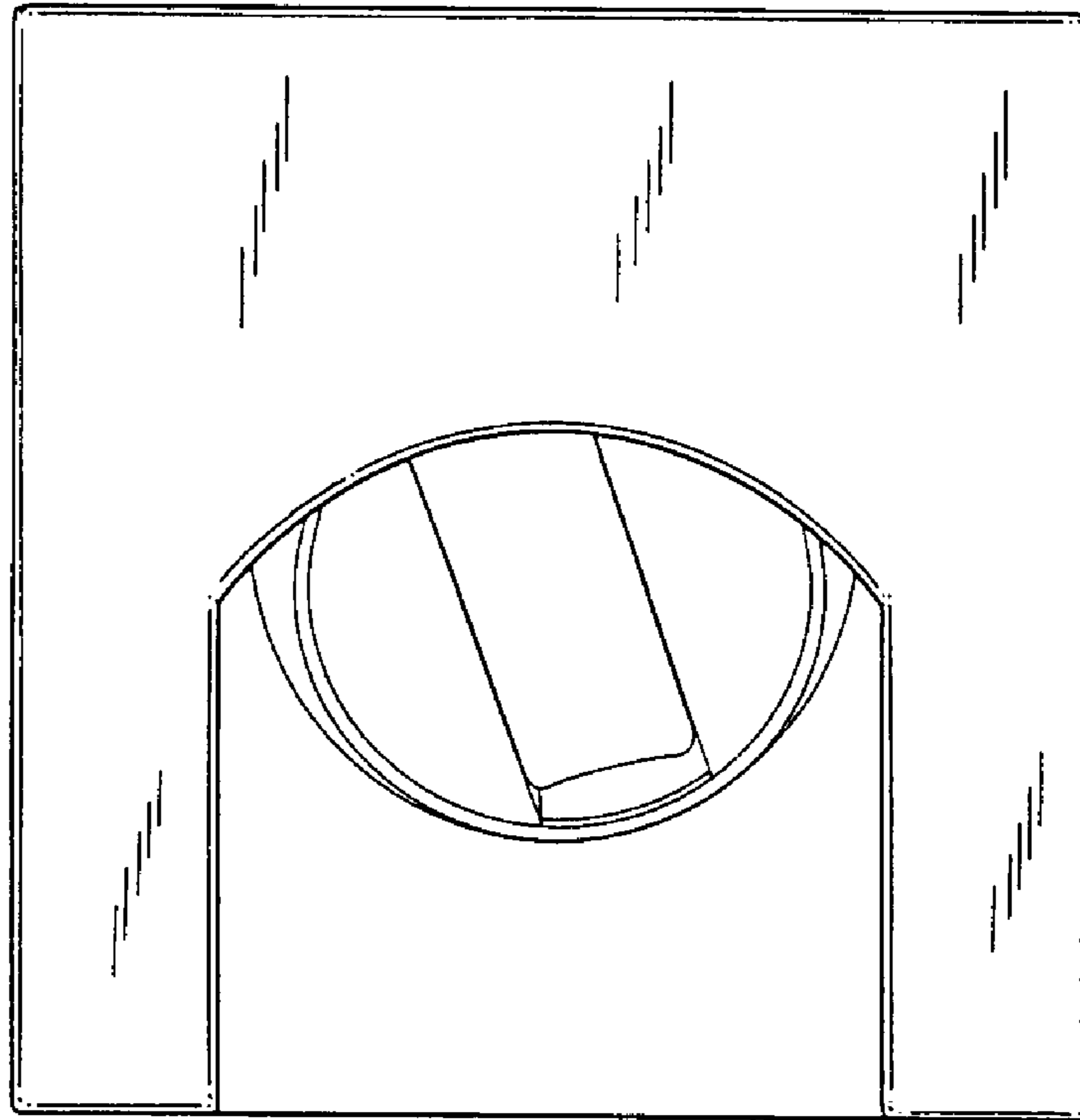


FIG .6

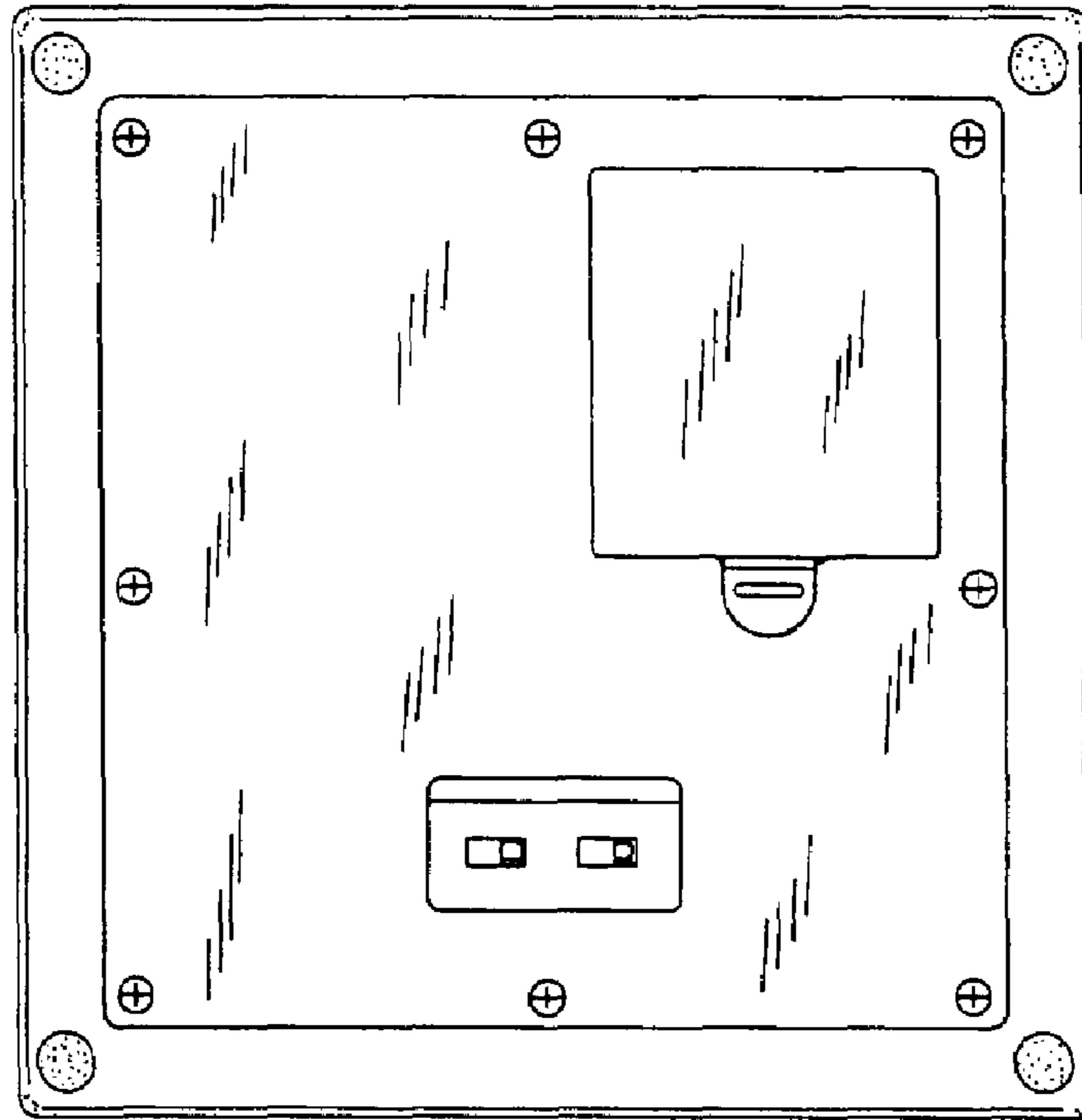


FIG .7



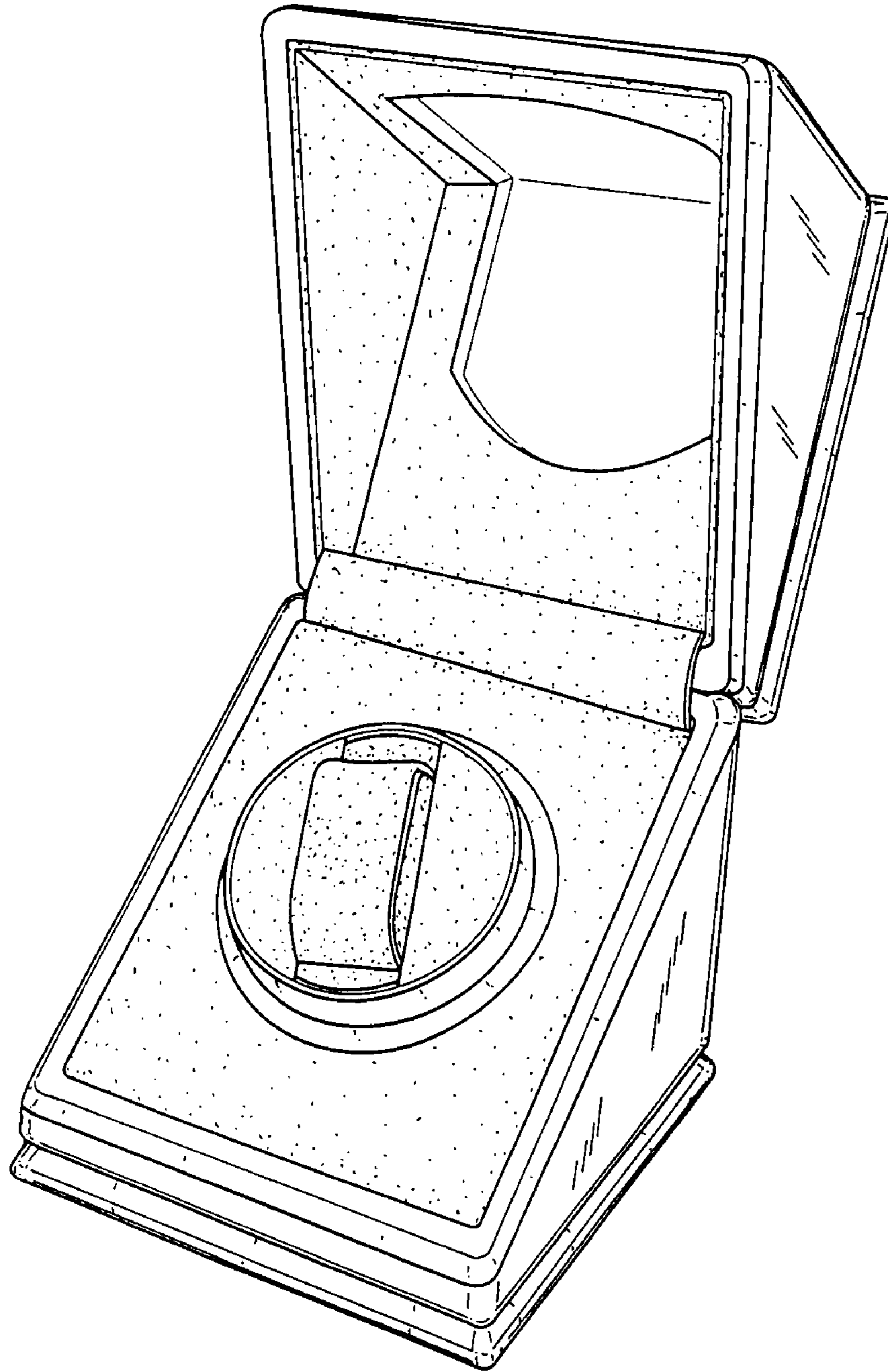


FIG . 8

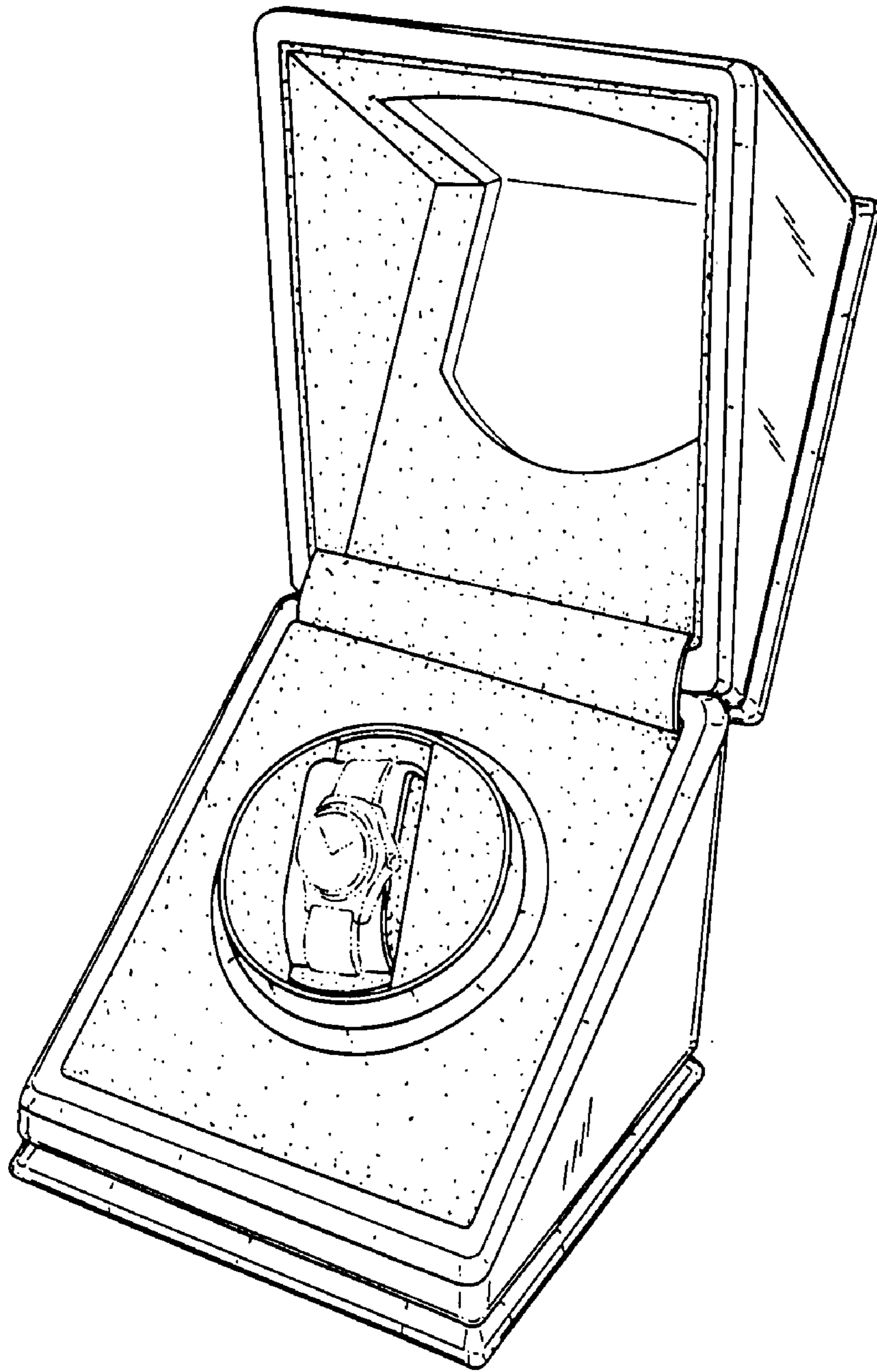


FIG . 9