

US00D556222S

(12) **United States Design Patent** (10) **Patent No.:** **US D556,222 S**
Morrison et al. (45) **Date of Patent:** **** *Nov. 27, 2007**

(54) **REFRIGERATOR**

(75) Inventors: **Jasper Morrison**, London (GB); **Jeong Min Kim**, Seoul (KR); **Yun Ho Yang**, Seoul (KR)

(73) Assignee: **Samsung Electronics Co., Ltd.**, Suwon Kyungki-Do (KR)

(*) Notice: This patent is subject to a terminal disclaimer.

(**) Term: **14 Years**

(21) Appl. No.: **29/267,338**

(22) Filed: **Oct. 12, 2006**

(51) **LOC (8) Cl.** **15-07**

(52) **U.S. Cl.** **D15/85**

(58) **Field of Classification Search** D15/79-82, D15/858-89; 62/3.1, 3.6, 3.63, 3.64, 389-400, 62/440, 441, 467, 531; 312/236, 352, 400-406, 312/405.1

See application file for complete search history.

(56) **References Cited**

U.S. PATENT DOCUMENTS

- D379,095 S * 5/1997 Sparks D15/85
- D477,336 S * 7/2003 Kwak et al. D15/85
- D477,340 S * 7/2003 Kim et al. D15/85
- D513,015 S * 12/2005 Doh et al. D15/85

- D518,076 S * 3/2006 Quinlan et al. D15/89
- D523,878 S * 6/2006 Quinlan et al. D15/89
- D524,832 S * 7/2006 Kim et al. D15/85
- D525,993 S * 8/2006 Kim et al. D15/85
- D527,396 S * 8/2006 Kim et al. D15/85
- D527,397 S * 8/2006 Kim et al. D15/85
- D527,746 S * 9/2006 Kim et al. D15/85
- D534,555 S * 1/2007 Kim et al. D15/85
- 2003/0132689 A1 * 7/2003 Shin 312/405

* cited by examiner

Primary Examiner—Stella Reid

Assistant Examiner—Shanda C. Hill

(74) *Attorney, Agent, or Firm*—Ladas & Parry LLC

(57) **CLAIM**

We claim the ornamental design for a refrigerator, as shown.

DESCRIPTION

FIG. 1 is a perspective view as seen from the top, front, and left side of a refrigerator showing our new design;

FIG. 2 is a front elevational view thereof;

FIG. 3 is a rear elevational view thereof;

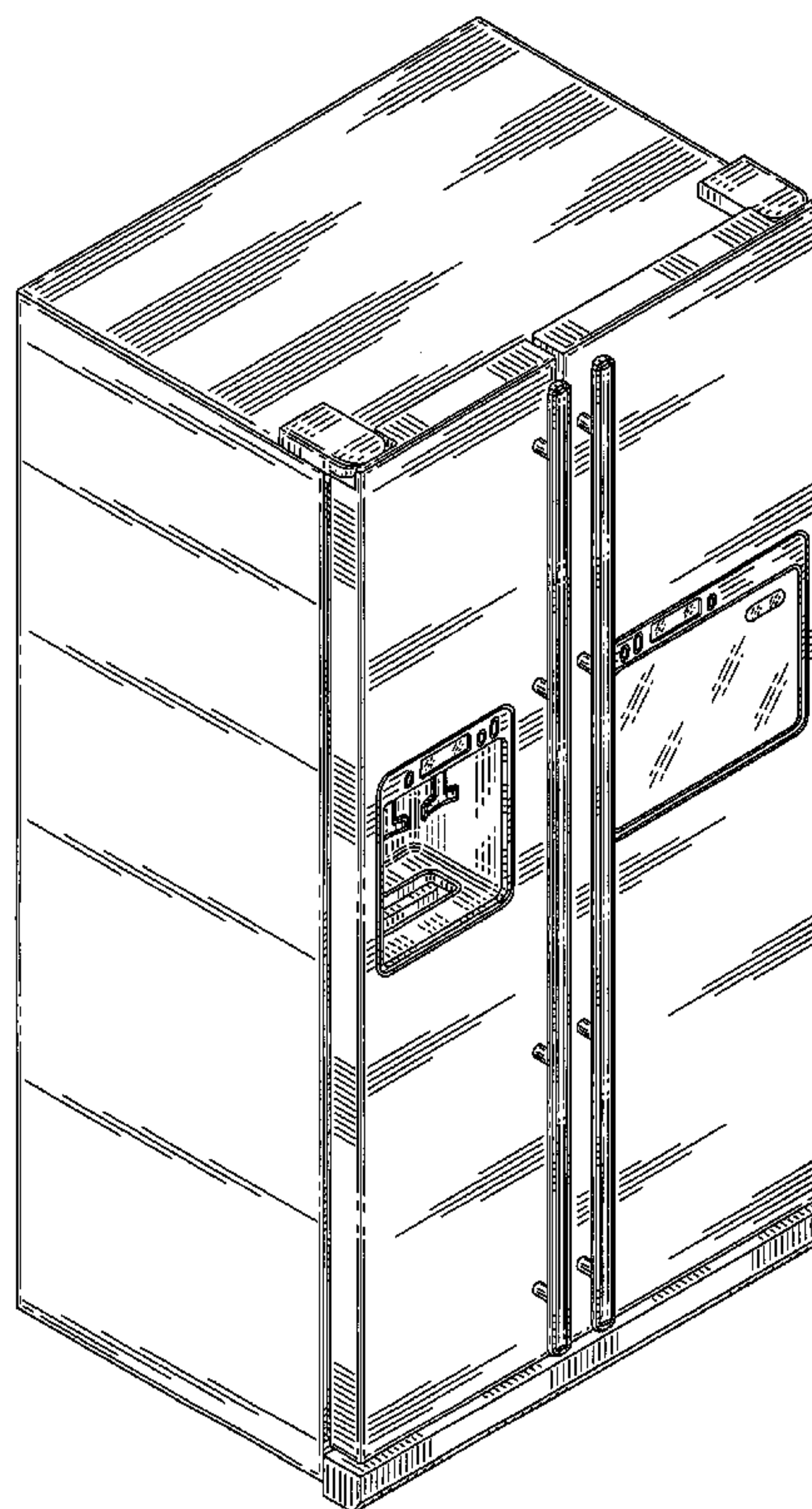
FIG. 4 is a left side elevational view thereof;

FIG. 5 is a right side elevational view thereof;

FIG. 6 is a top plan view thereof; and,

FIG. 7 is a bottom plan view thereof.

1 Claim, 6 Drawing Sheets



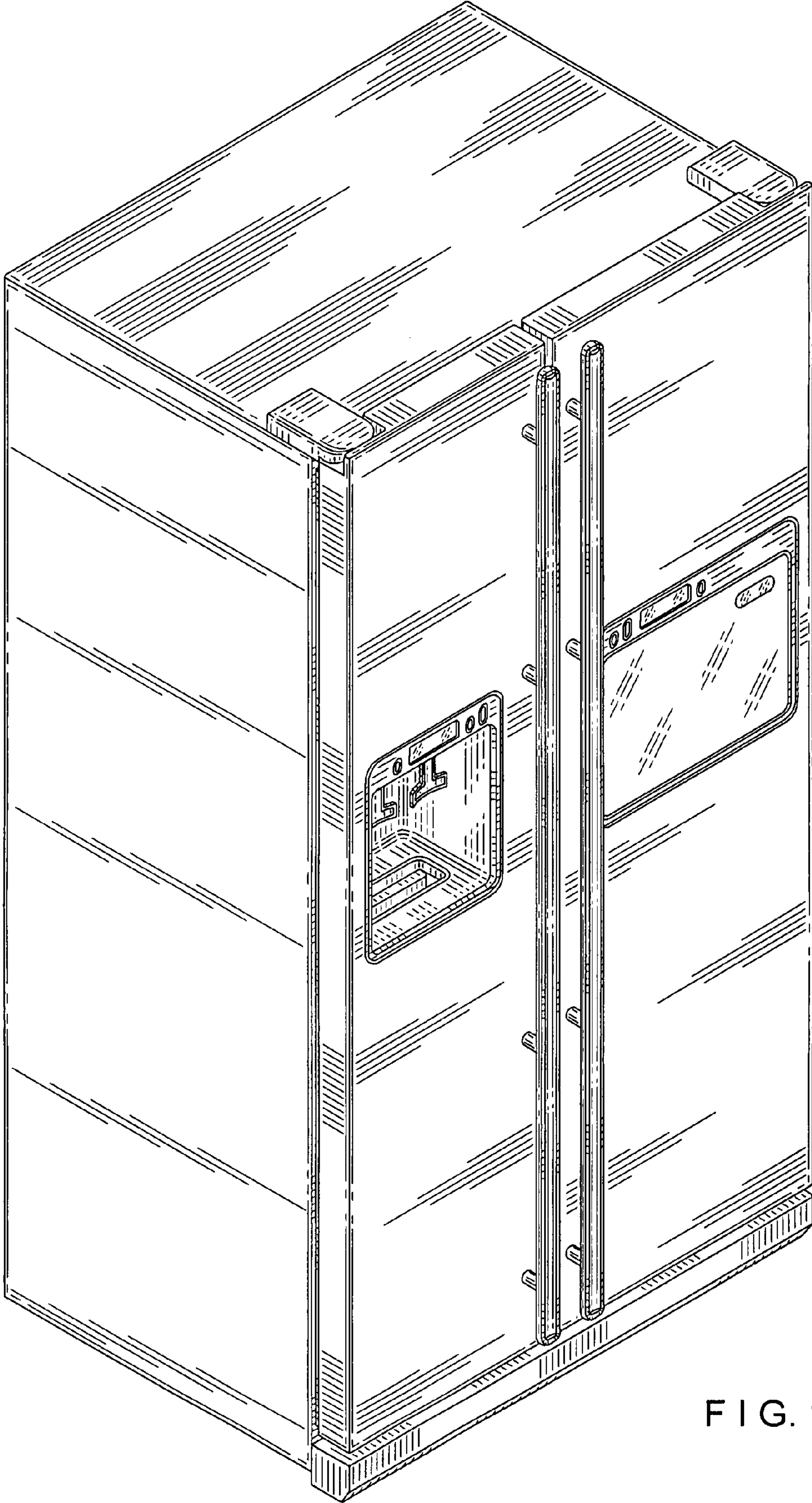


FIG. 1

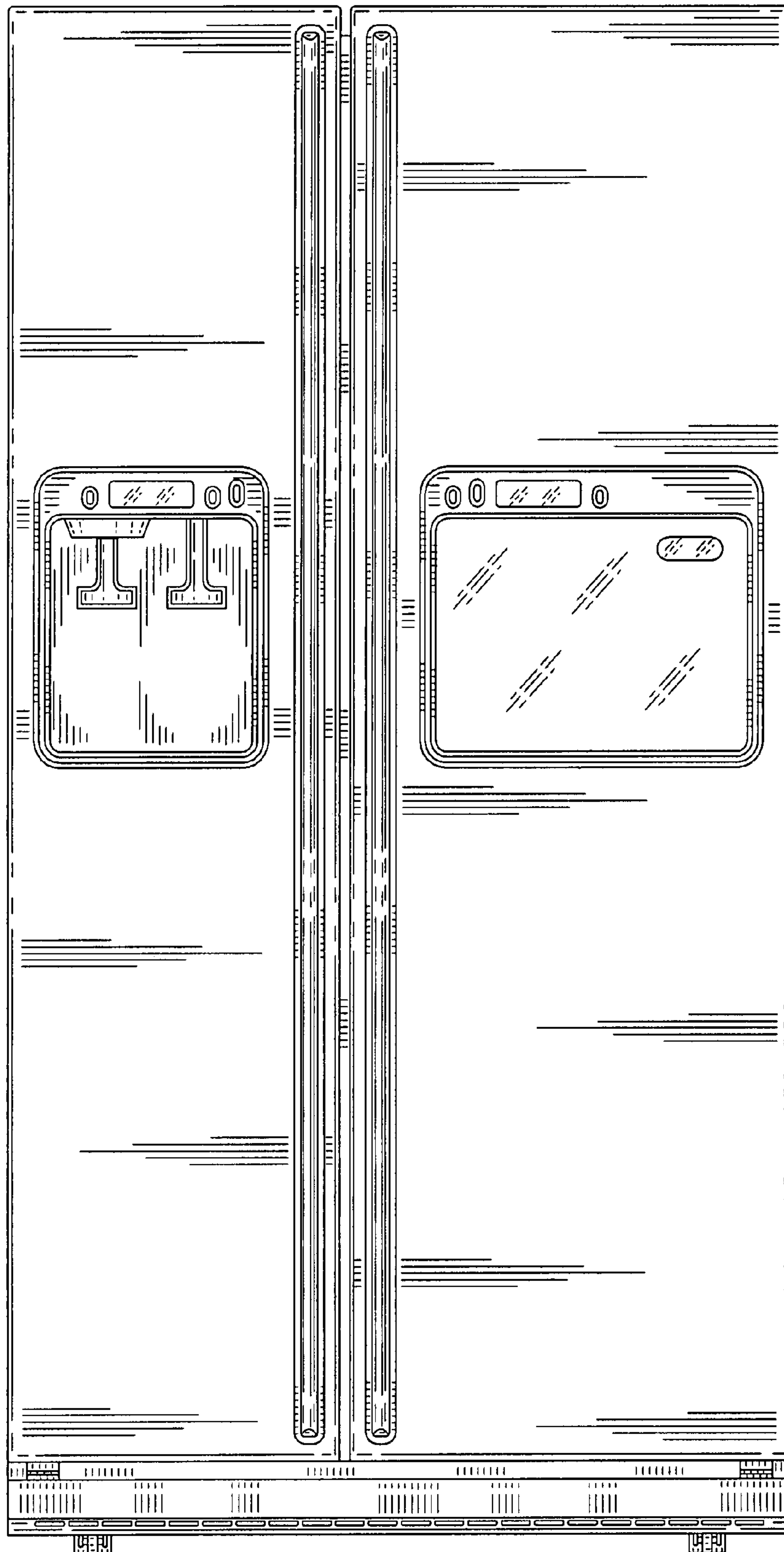


FIG. 2



FIG. 3

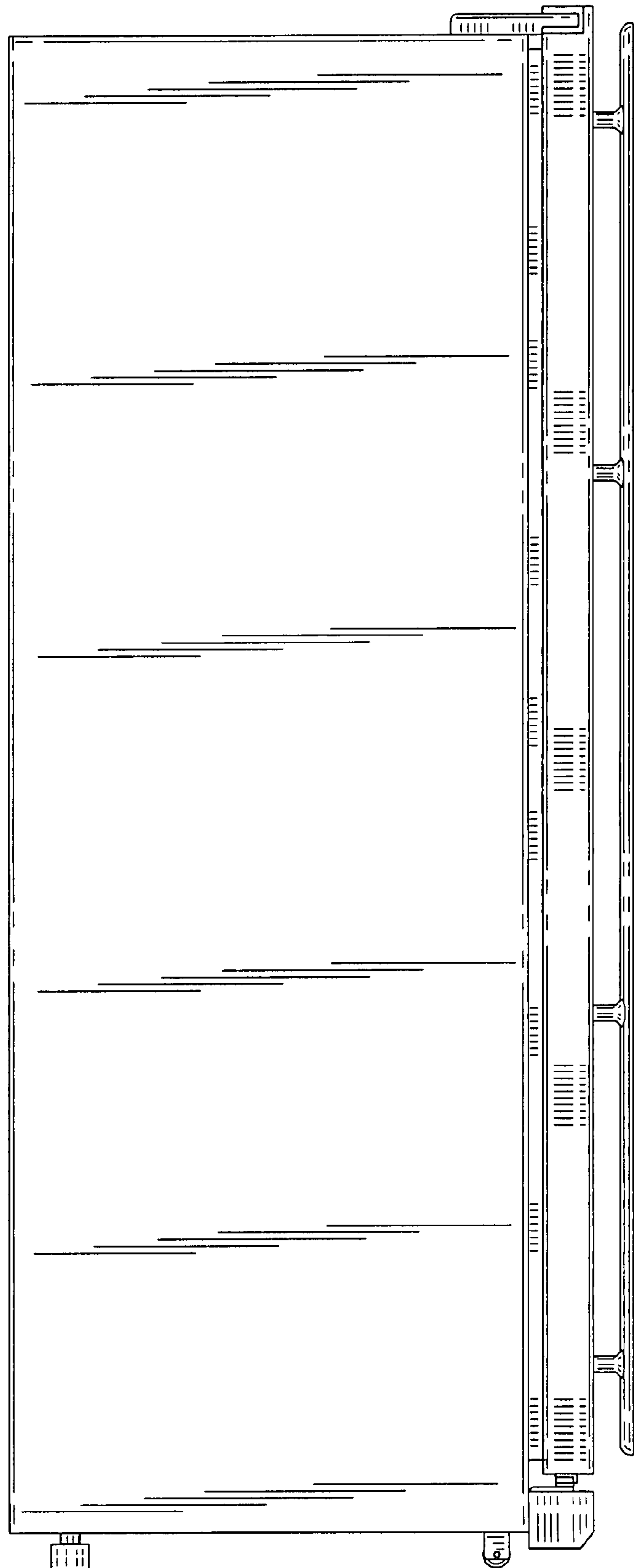


FIG. 4

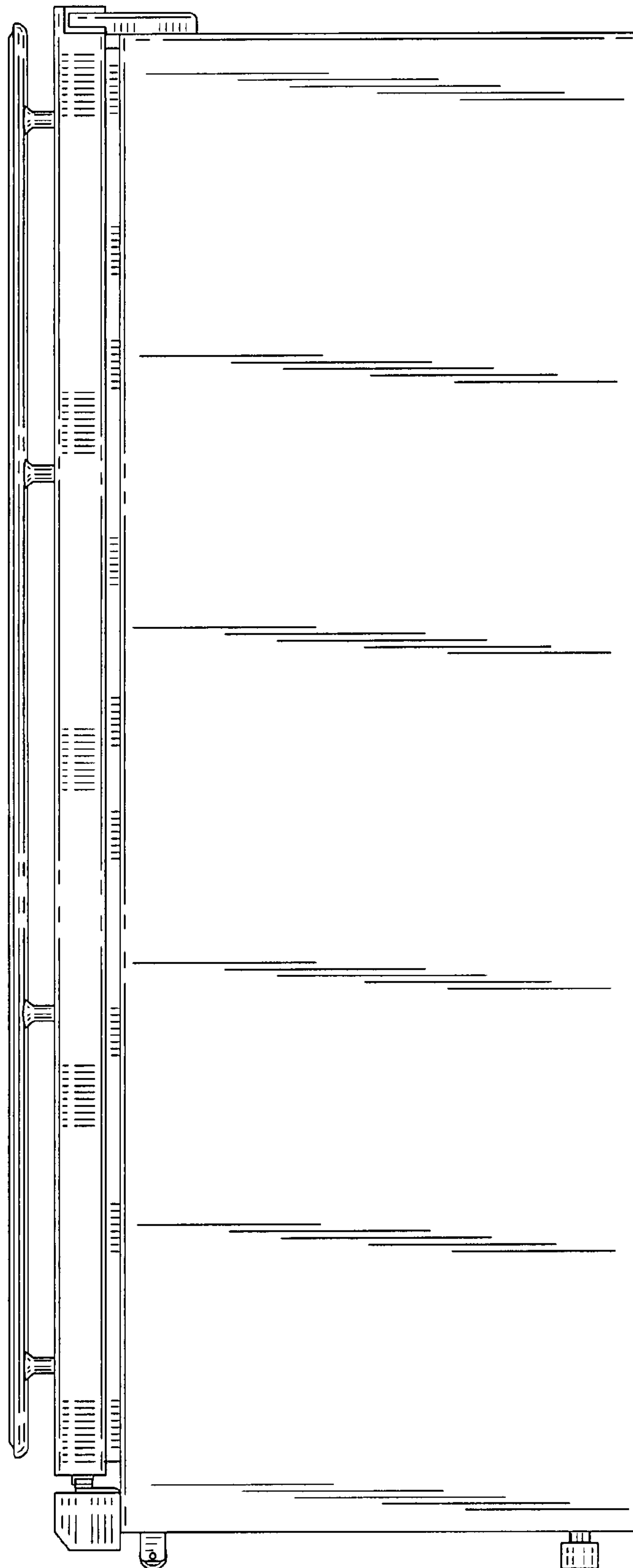


FIG. 5

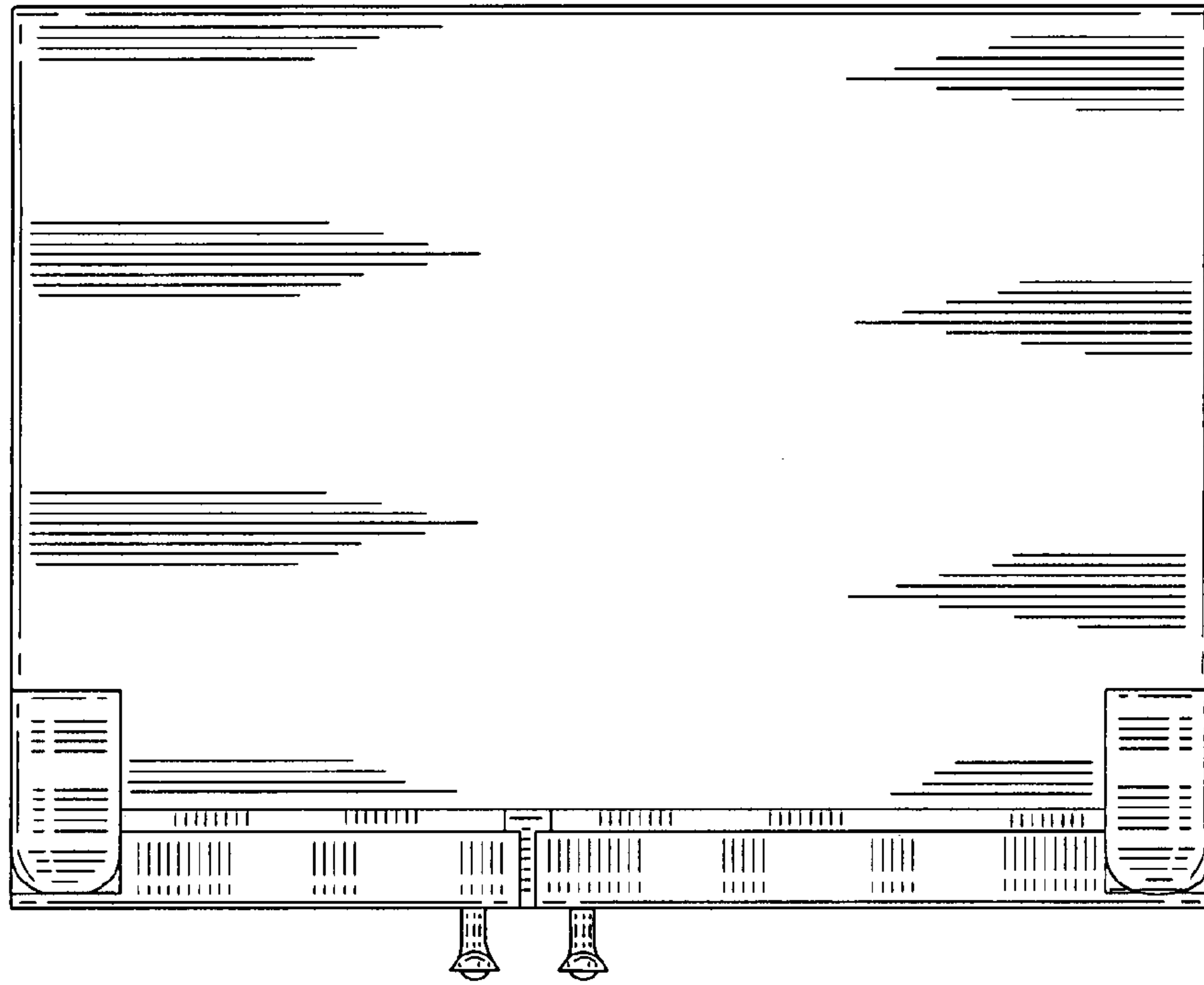


FIG. 6

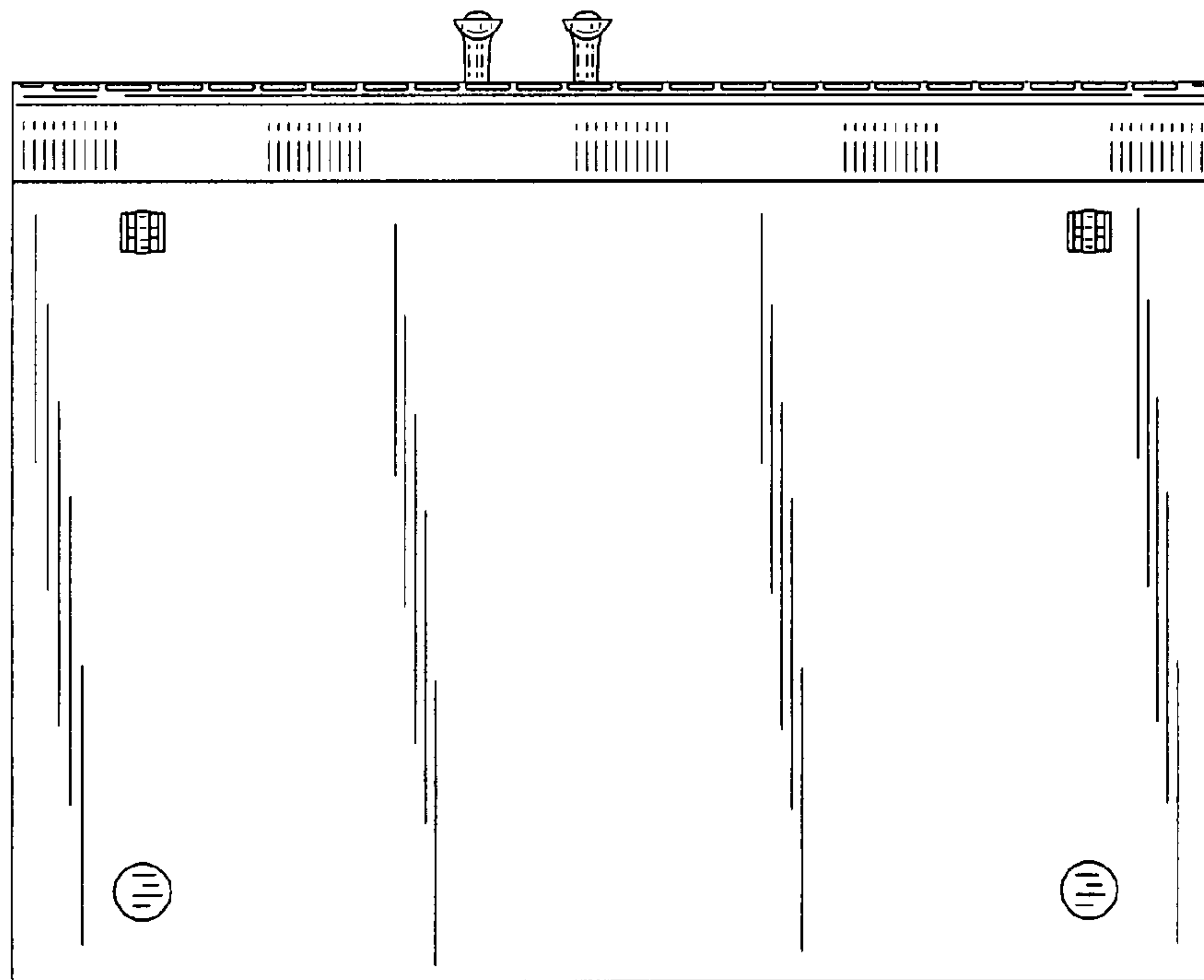


FIG. 7