



US00D556221S

(12) **United States Design Patent**
Iwai

(10) **Patent No.:** **US D556,221 S**

(45) **Date of Patent:** **** Nov. 27, 2007**

(54) **SEWING MACHINE**

(75) Inventor: **Nobuyuki Iwai**, Chita-gun (JP)

(73) Assignee: **Brother Industries Limited**, Nagoya (JP)

(**) Term: **14 Years**

(21) Appl. No.: **29/219,001**

(22) Filed: **Dec. 13, 2004**

(30) **Foreign Application Priority Data**

Jun. 14, 2004 (JP) 2004-017707

(51) **LOC (8) Cl.** **15-06**

(52) **U.S. Cl.** **D15/72; D15/78**

(58) **Field of Classification Search** D15/66,
D15/67, 69, 70, 72, 78; 112/1, 2, 78, 122,
112/154, 256, 270, 286; 312/208.5; 206/320
See application file for complete search history.

(56) **References Cited**

U.S. PATENT DOCUMENTS

- D289,174 S * 4/1987 Van Wilson D15/78
- D392,652 S * 3/1998 Takada et al. D15/70
- D483,774 S * 12/2003 Kuroki D15/69
- D503,412 S * 3/2005 Suwa et al. D15/78

- D515,110 S * 2/2006 Kuroki D15/70
- D520,027 S * 5/2006 Kuroki D15/69
- D527,394 S * 8/2006 Rosenzweig D15/70

* cited by examiner

Primary Examiner—Mitchell Siegel

Assistant Examiner—Shanda C. Hill

(74) *Attorney, Agent, or Firm*—Oliff & Berridge, PLC

(57) **CLAIM**

The ornamental design for a sewing machine, as shown and described.

DESCRIPTION

FIG. 1 is a perspective view of sewing machine showing my new design;

FIG. 2 is an enlarged partial view of FIG. 1;

FIG. 3 is a right side view of FIG. 1;

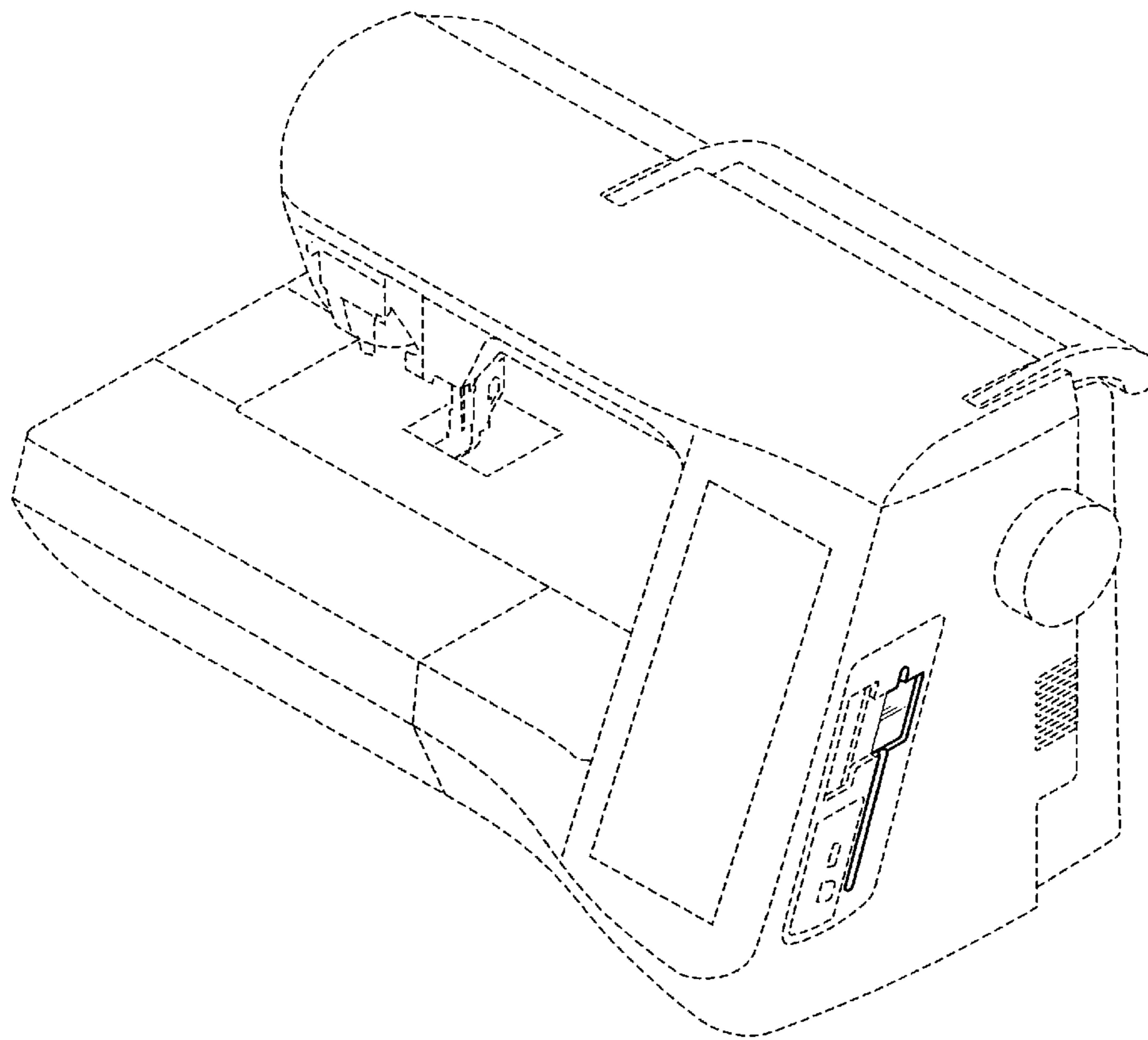
FIG. 4 is an enlarged partial right side view of FIG. 1;

FIG. 5 is a front view of FIG. 1; and,

FIG. 6 is an enlarged partial front view of FIG. 1.

The broken lines shown in the drawing disclosure are for illustrative purposes only and form no part of the claimed design.

1 Claim, 6 Drawing Sheets



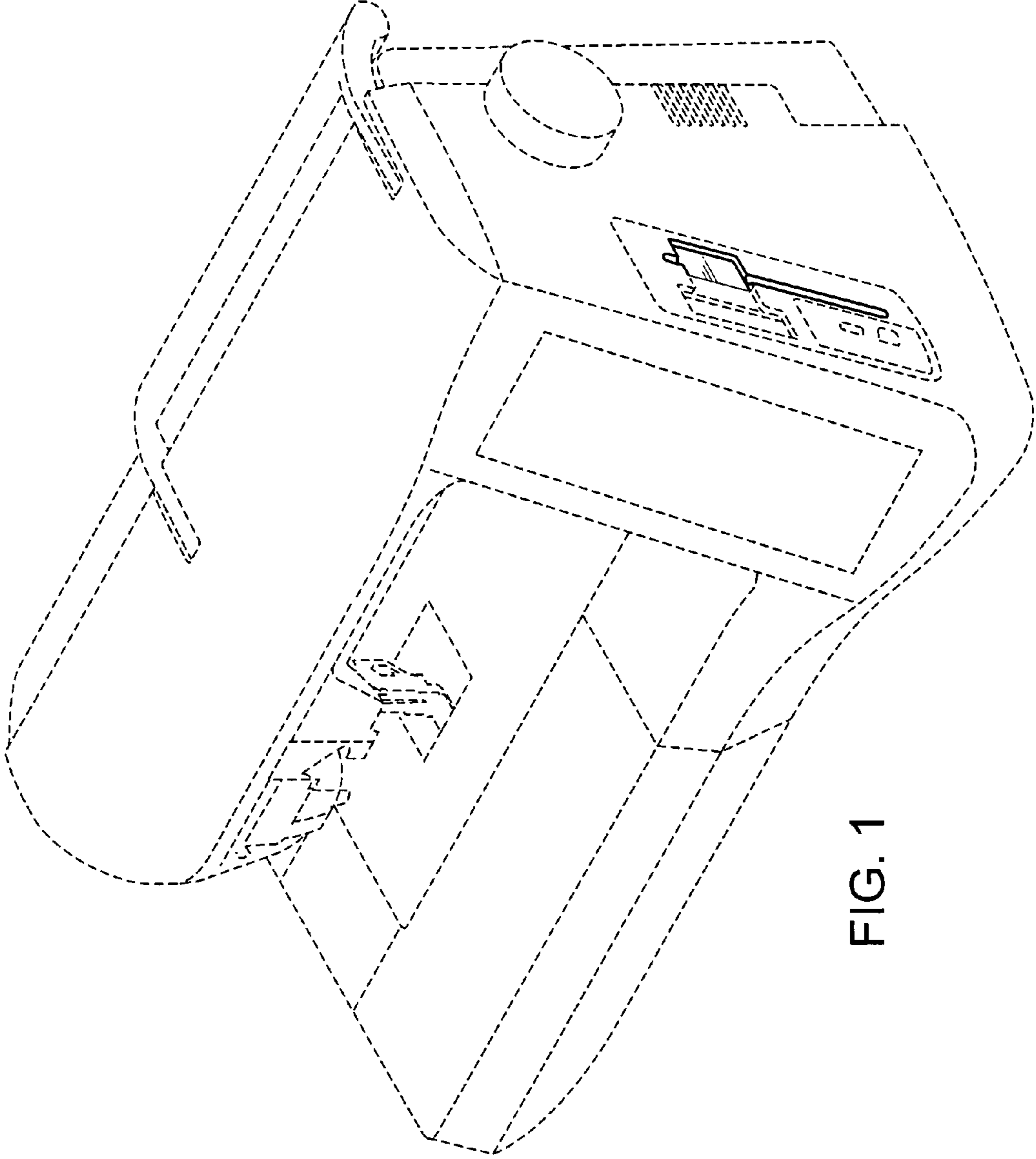


FIG. 1

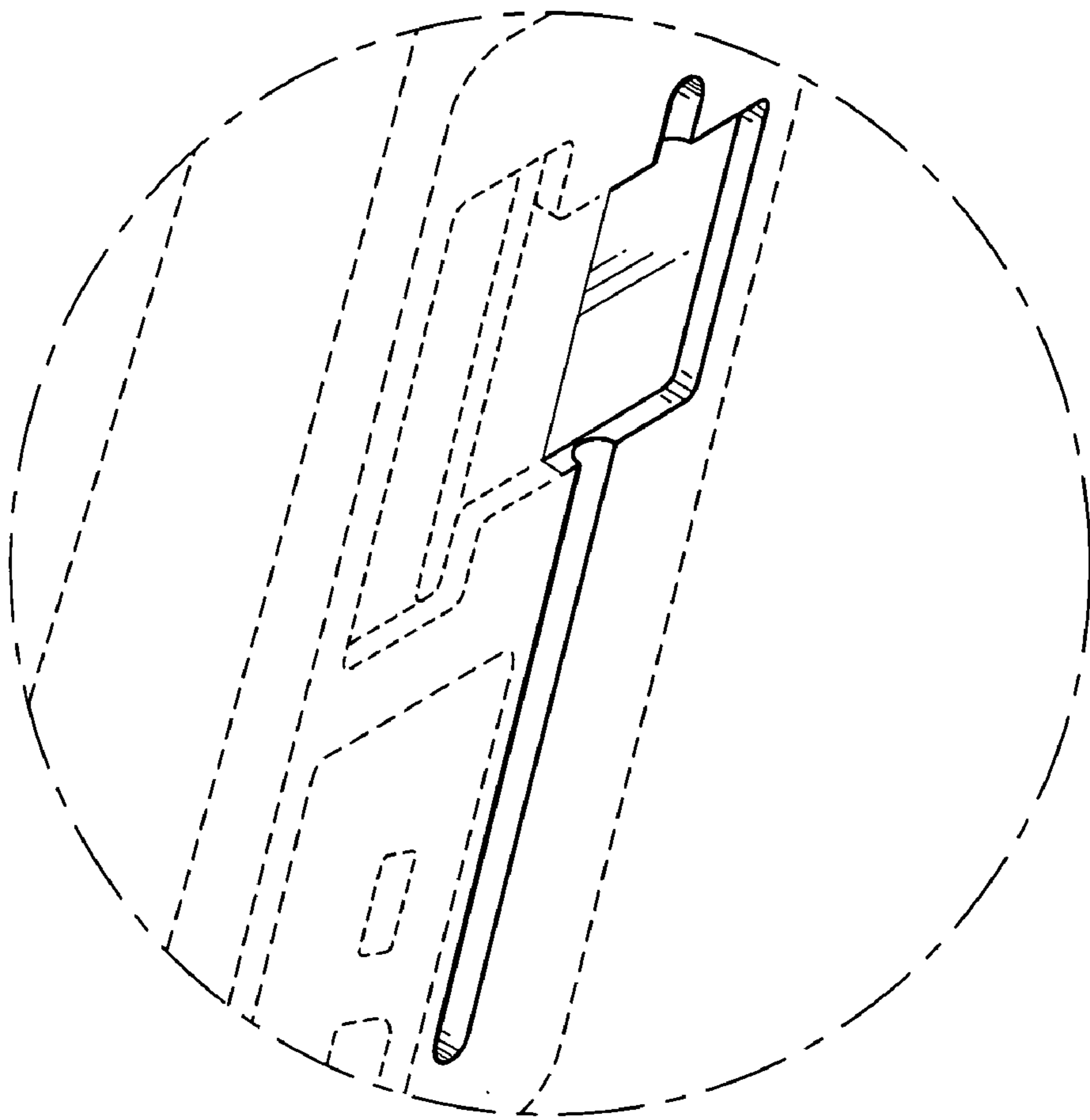


FIG. 2

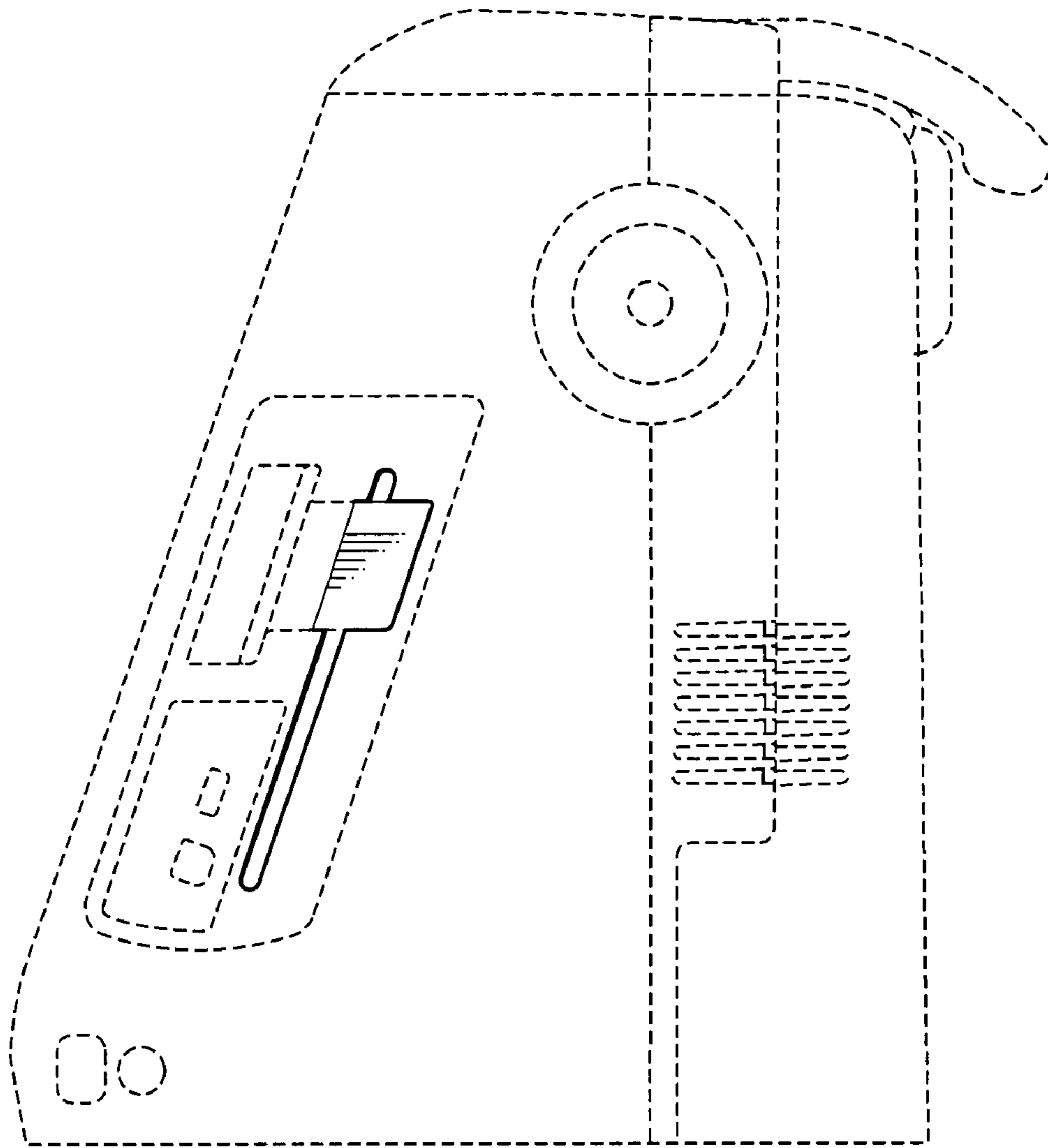


FIG. 3

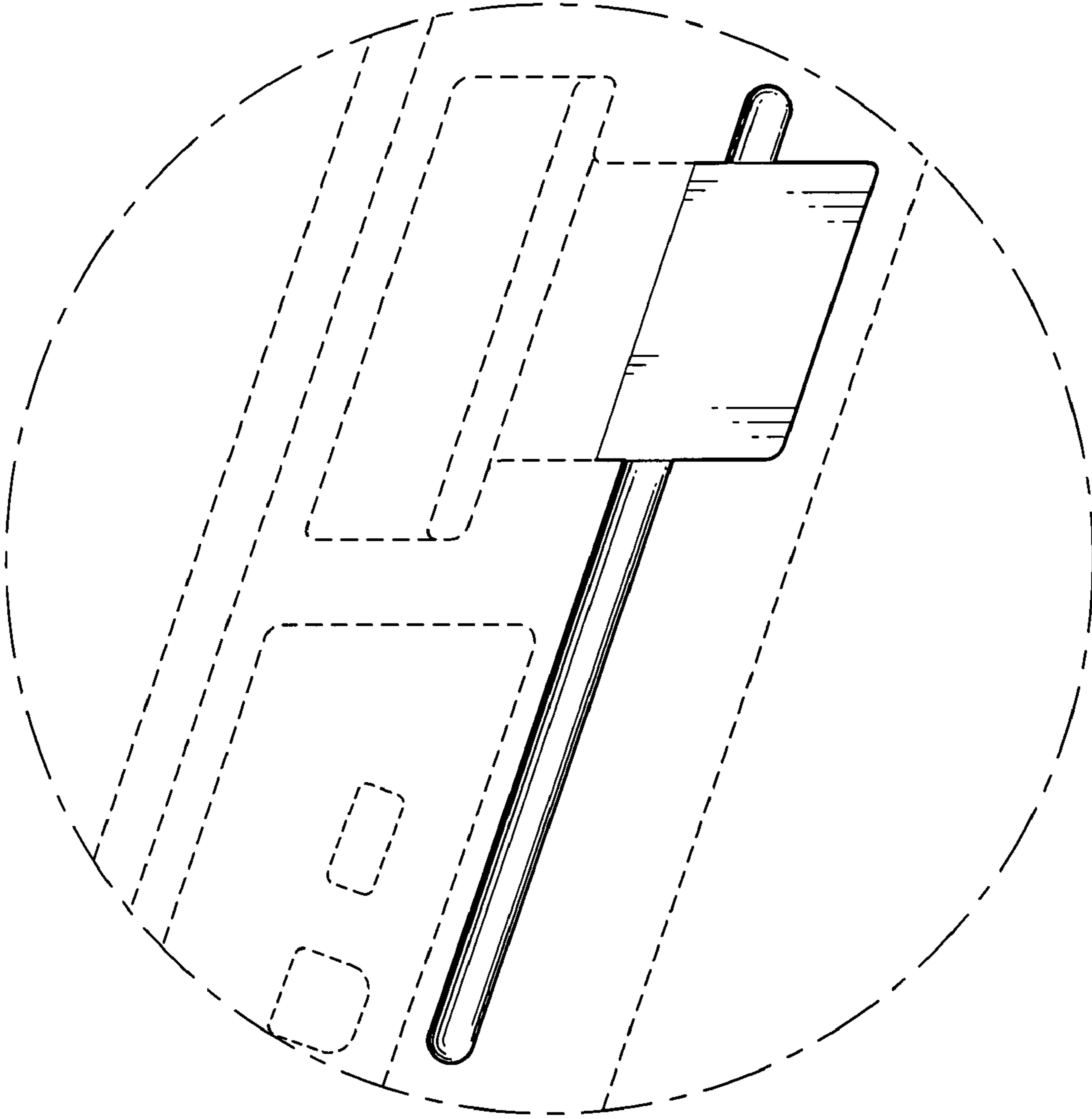


FIG. 4

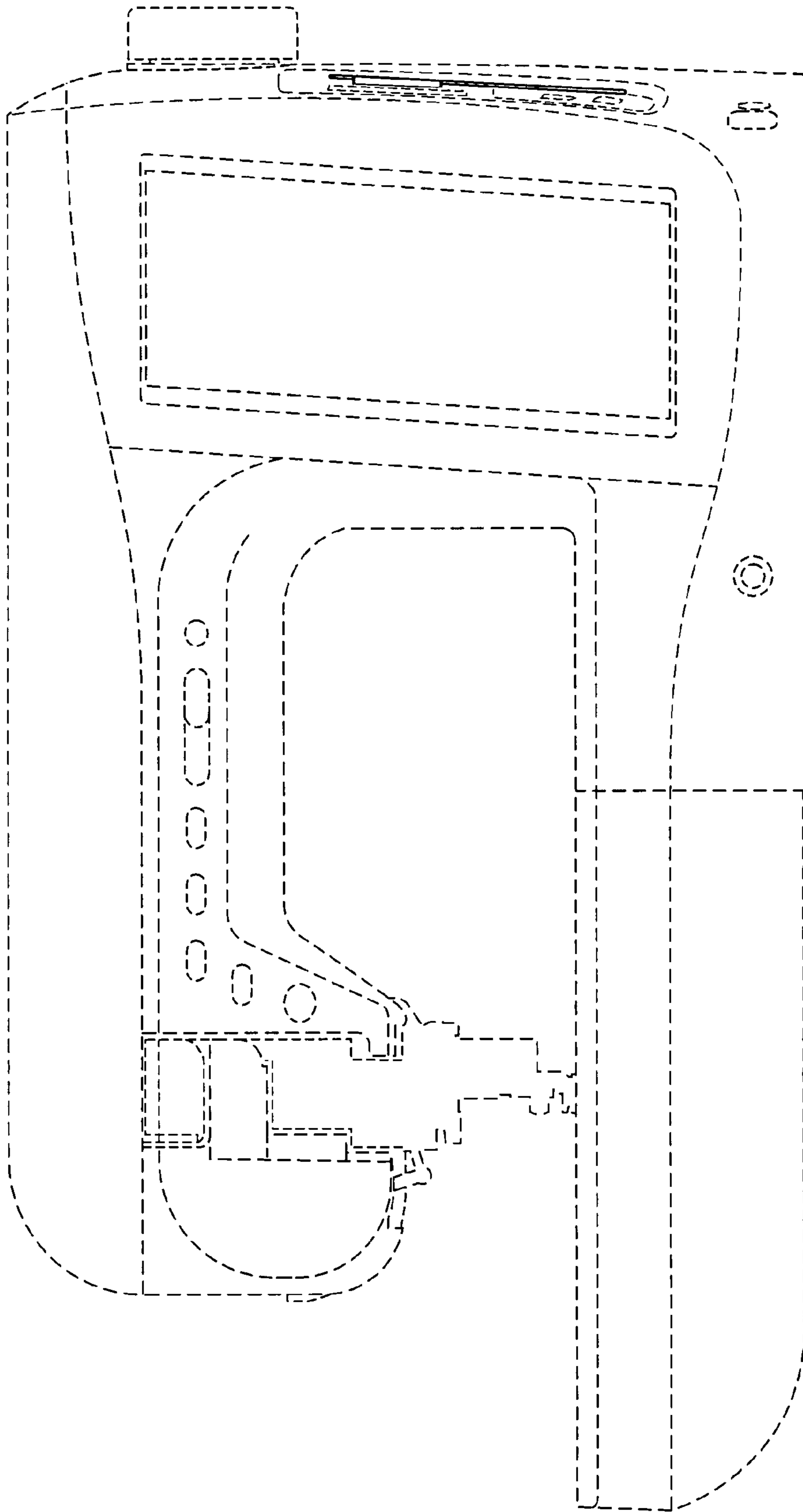


FIG. 5

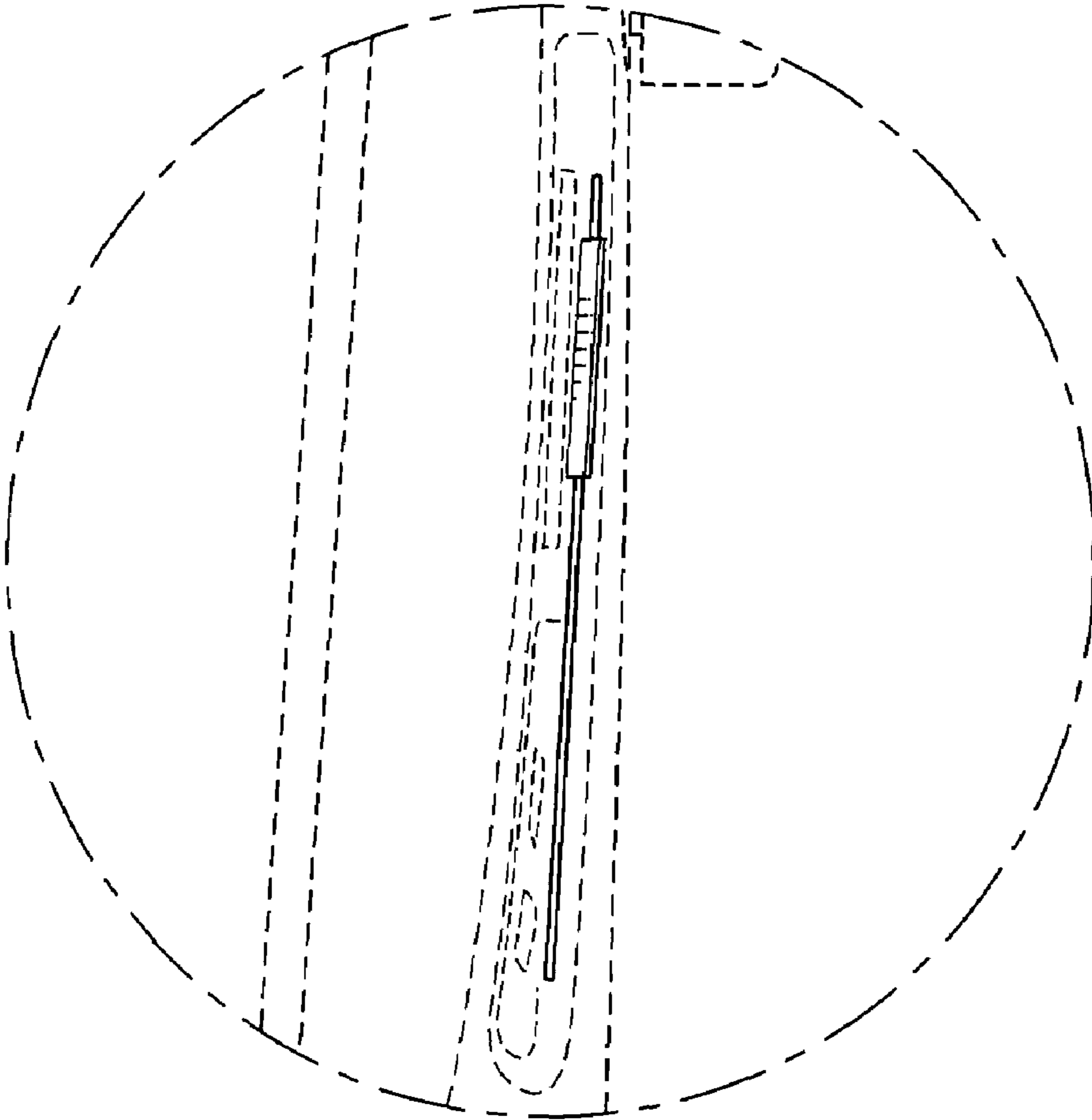


FIG. 6